

US00D648283S

(12) **United States Design Patent**  
**Chu**

(10) **Patent No.:** **US D648,283 S**

(45) **Date of Patent:** **\*\* Nov. 8, 2011**

(54) **PRESS SWITCH**

(76) Inventor: **Ching-Hsiung Chu**, Taipei (TW)

(\*\*) Term: **14 Years**

(21) Appl. No.: **29/379,075**

(22) Filed: **Nov. 15, 2010**

(30) **Foreign Application Priority Data**

Sep. 9, 2010 (TW) ..... 99304537

(51) **LOC (9) Cl.** ..... **13-03**

(52) **U.S. Cl.** ..... **D13/158**

(58) **Field of Classification Search** ..... D13/125,  
D13/158, 169, 171, 174, 184, 199; 200/1 B,  
200/4, 5 A, 6 A, 6 R, 81 R, 293-297, 310,  
200/314, 315, 329, 341, 344, 406, 513, 520,  
200/523, 524, 530, 532, 535, 536; D14/247  
See application file for complete search history.

(56) **References Cited**

**U.S. PATENT DOCUMENTS**

4,273,980 A \* 6/1981 Rogero ..... 200/524  
D282,067 S \* 1/1986 Inaba ..... D14/247

D316,540 S \* 4/1991 Hirose ..... D13/171  
D340,224 S \* 10/1993 Gierut ..... D13/171  
D511,504 S \* 11/2005 Sang ..... D13/171  
D533,842 S \* 12/2006 Tohyama et al. .... D13/158  
D559,794 S \* 1/2008 Kato et al. .... D13/171  
D613,254 S \* 4/2010 Tsuduki ..... D13/158  
D627,742 S \* 11/2010 Yamanaka ..... D13/158  
2004/0118669 A1 \* 6/2004 Mou ..... 200/310

\* cited by examiner

*Primary Examiner* — Thomas Johannes

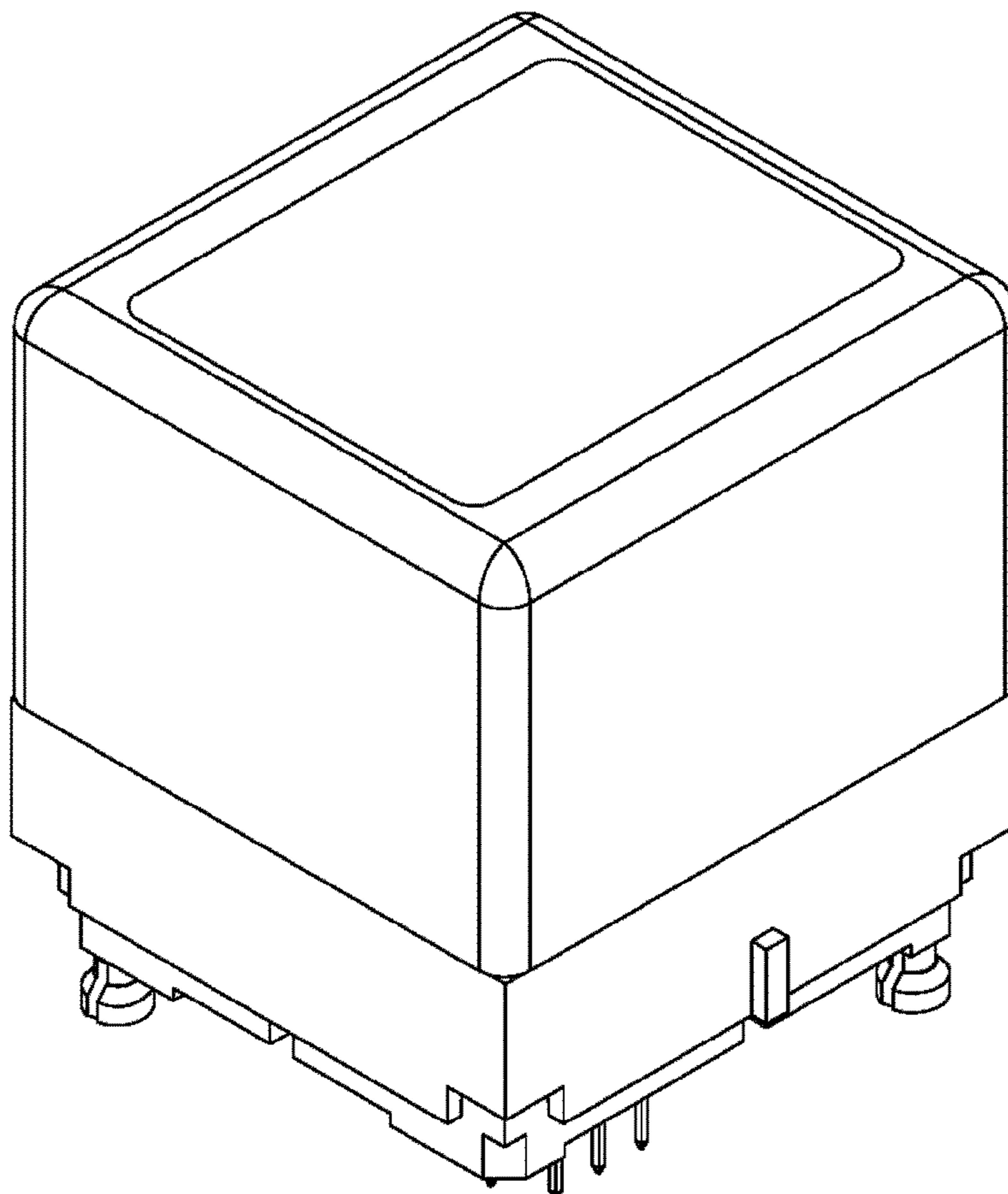
(57) **CLAIM**

The ornamental design for a press switch, as shown and described.

**DESCRIPTION**

FIG. 1 is a perspective view of a press switch showing my new design;  
FIG. 2 is a front view thereof;  
FIG. 3 is a back view thereof;  
FIG. 4 is a right side view thereof;  
FIG. 5 is a left side view thereof;  
FIG. 6 is a top plan view thereof; and,  
FIG. 7 is a bottom plan view thereof.

**1 Claim, 7 Drawing Sheets**



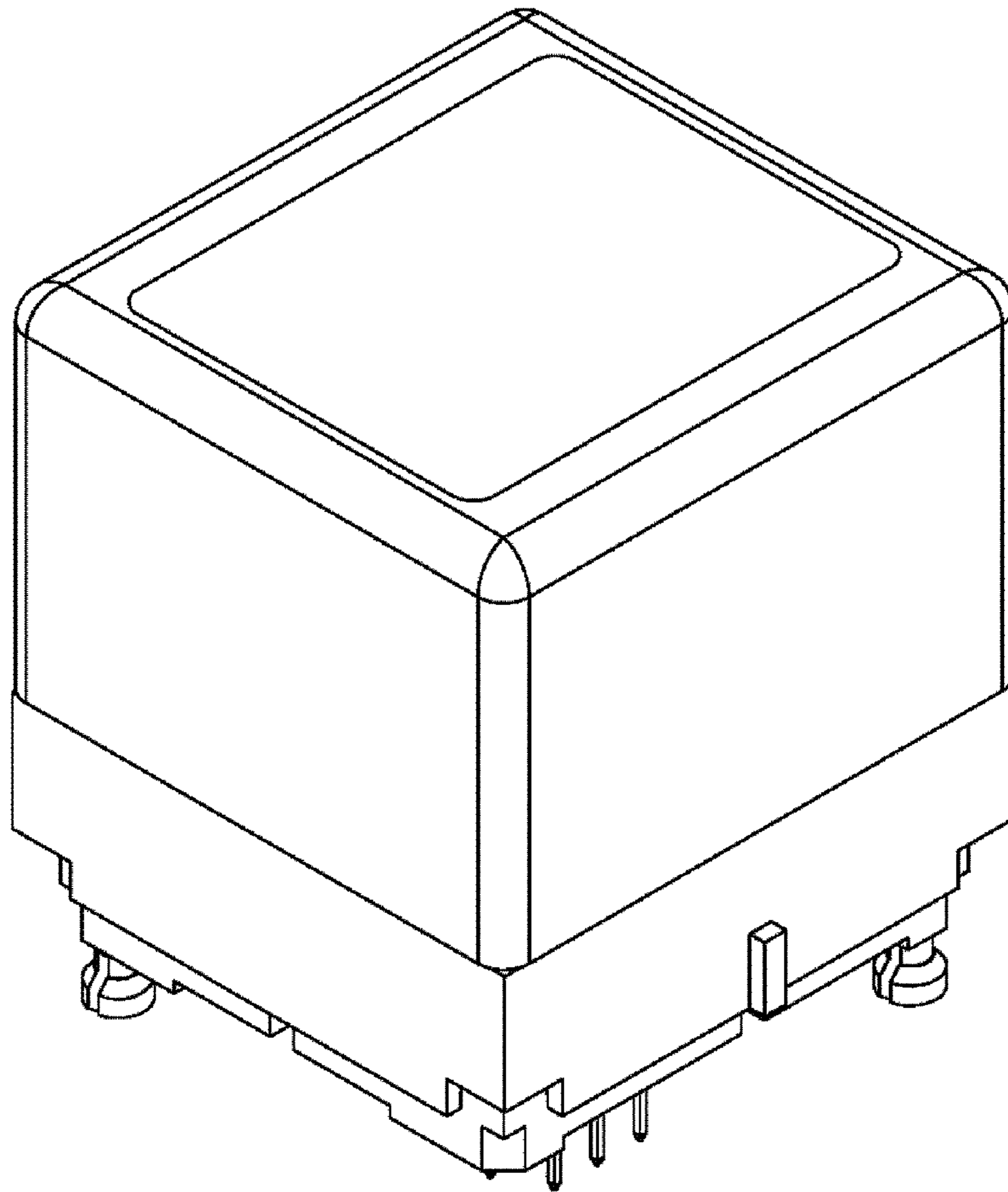


FIG. 1

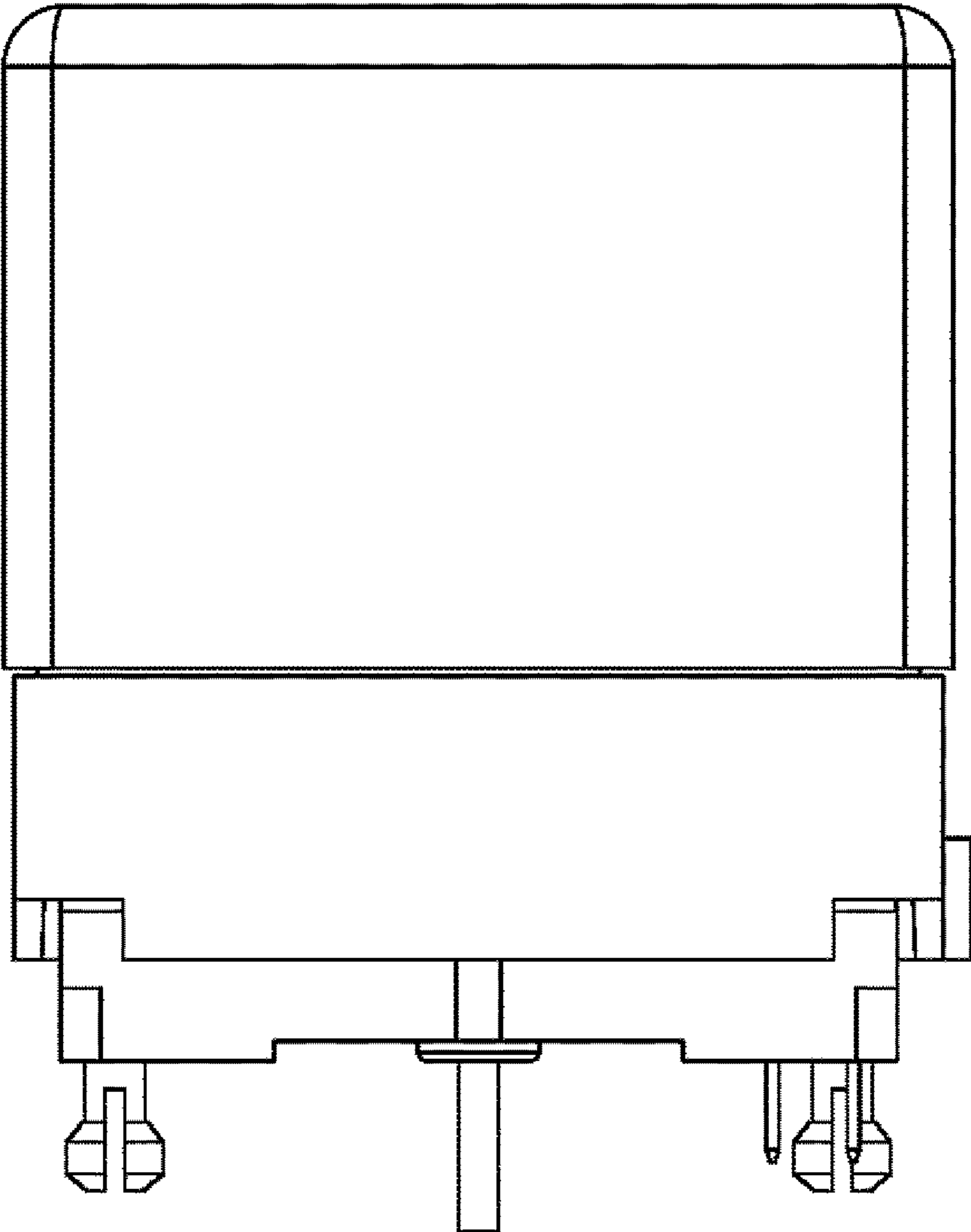


FIG. 2

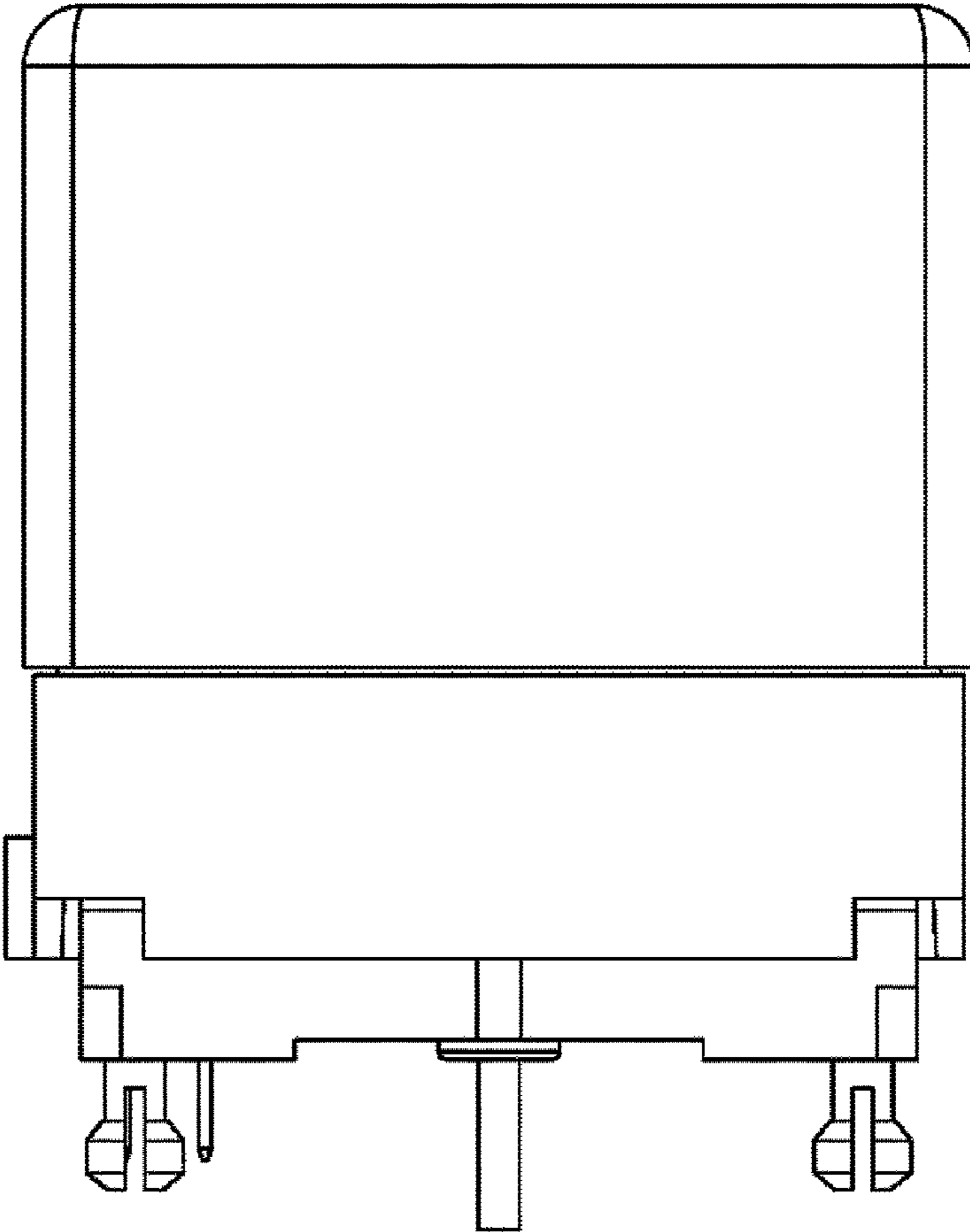


FIG. 3

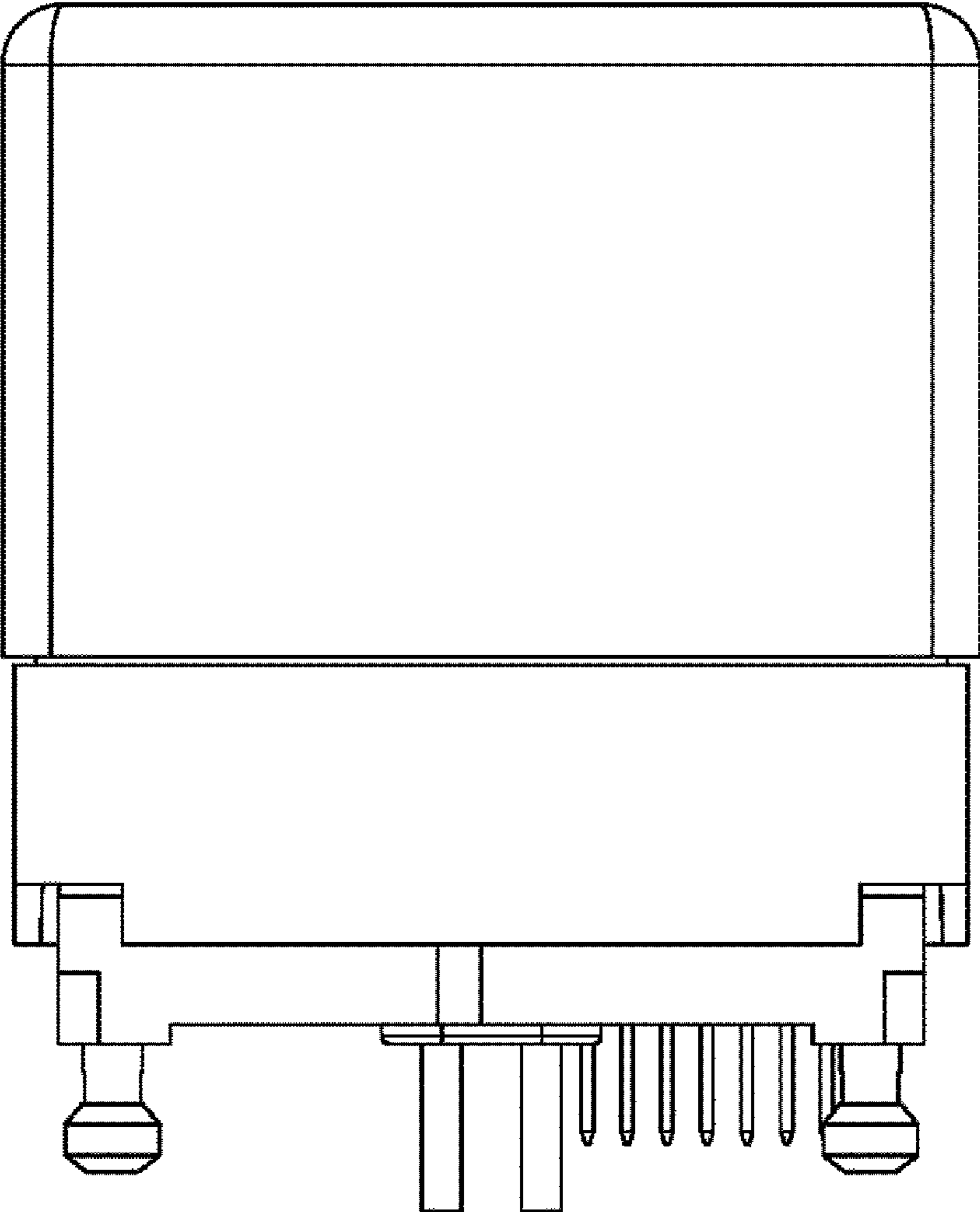


FIG. 4

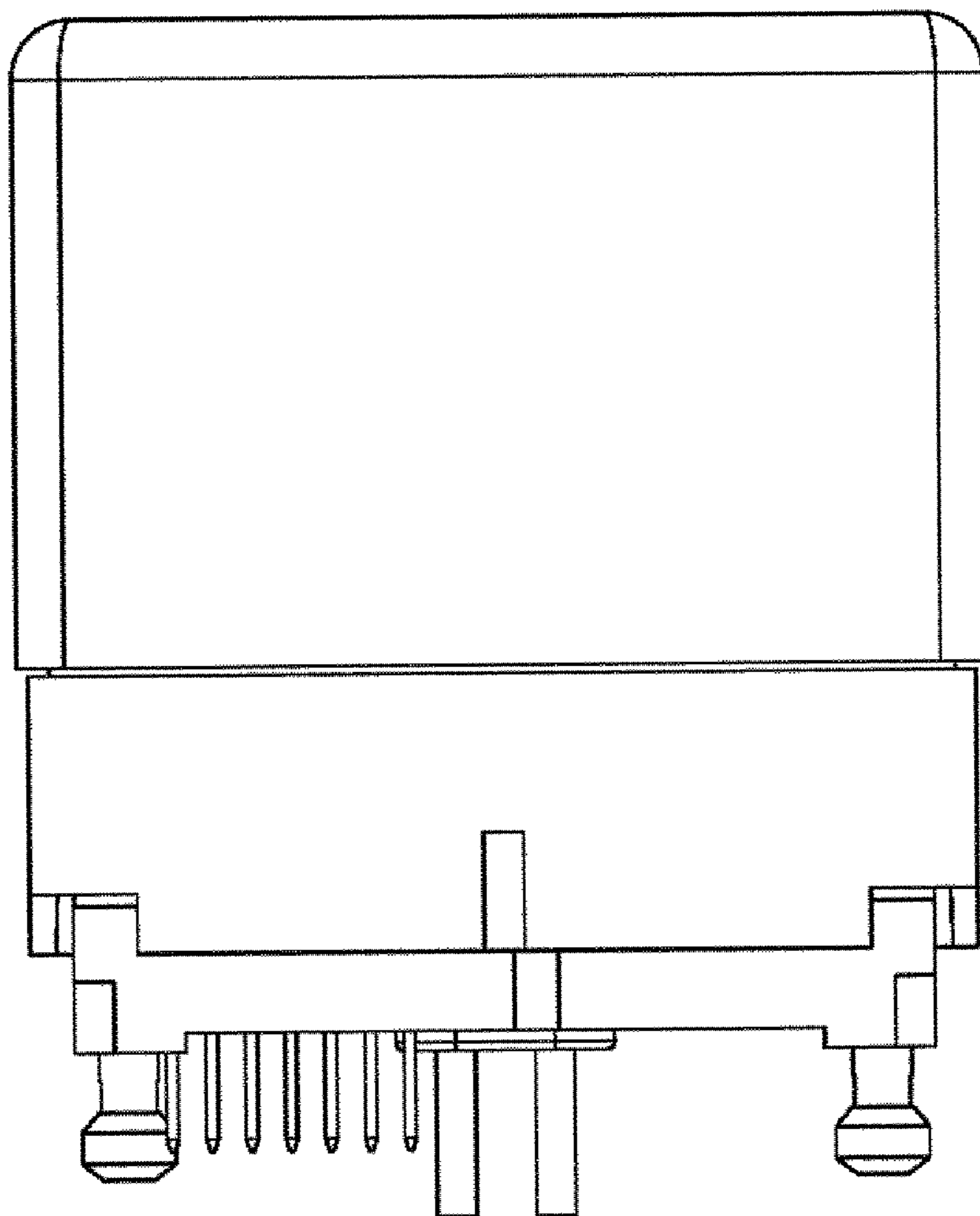


FIG. 5

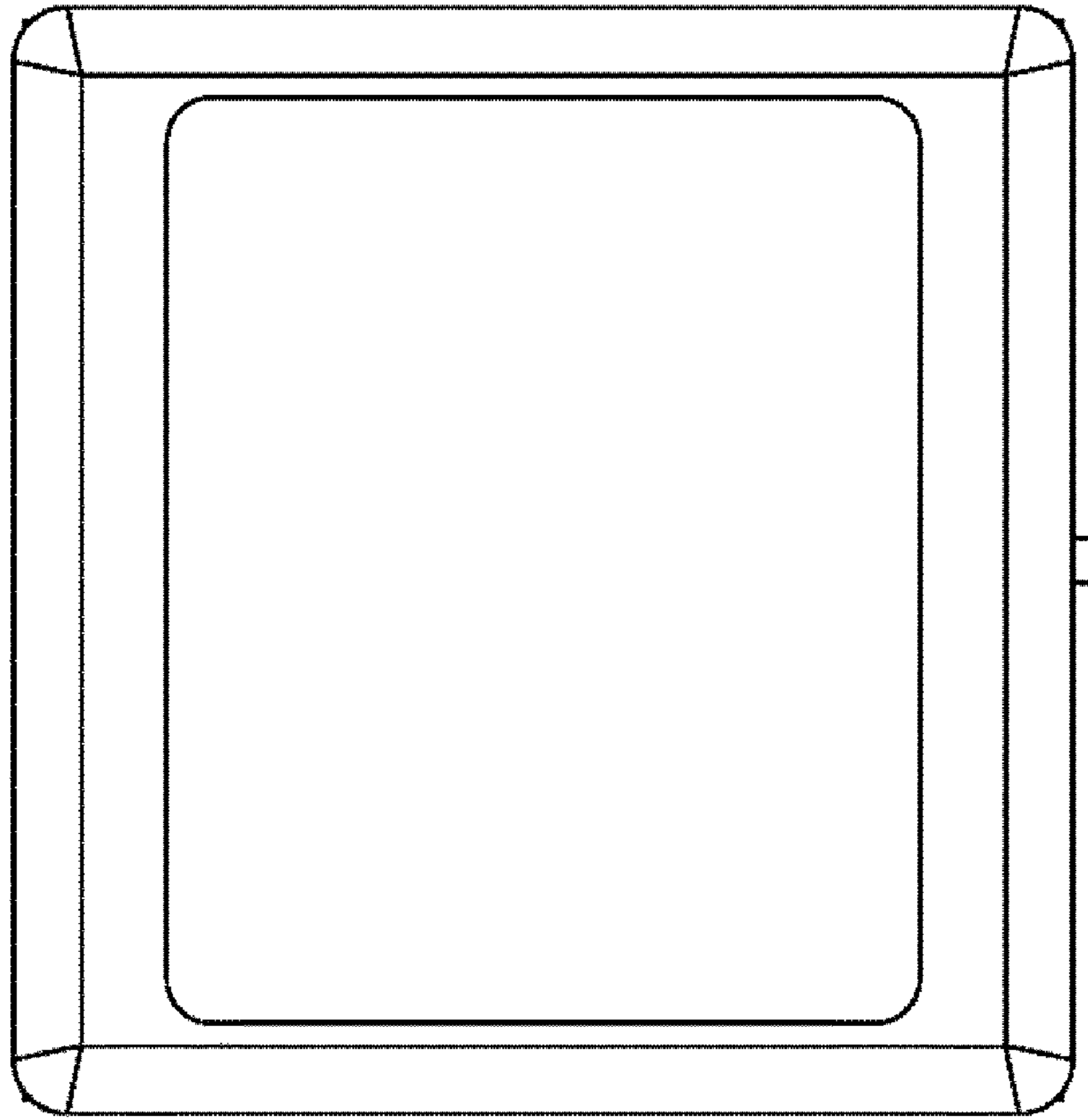


FIG. 6

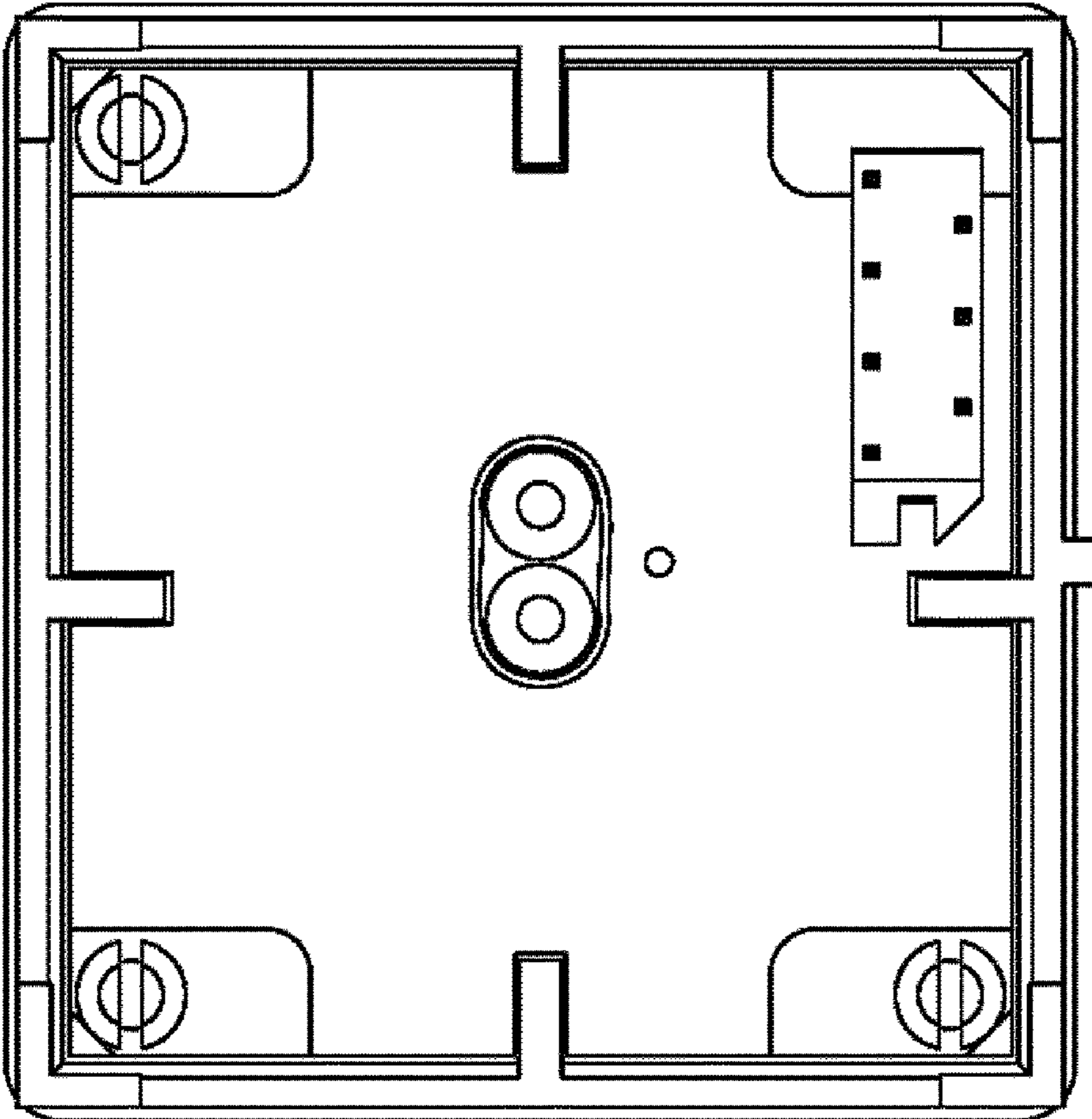


FIG. 7