



US00D648281S

(12) **United States Design Patent**
Cerasale

(10) **Patent No.:** **US D648,281 S**

(45) **Date of Patent:** **** Nov. 8, 2011**

(54) **COMBINATION GROUNDING ROD BRIDGE**

(75) **Inventor:** **Eric J. Cerasale**, Southington, CT (US)

(73) **Assignee:** **Bridgeport Fittings, Inc.**, Stratford, CT (US)

(**) **Term:** **14 Years**

(21) **Appl. No.:** **29/349,018**

(22) **Filed:** **Mar. 1, 2010**

(51) **LOC (9) Cl.** **13-03**

(52) **U.S. Cl.** **D13/151**

(58) **Field of Classification Search** D13/123,
D13/124, 133, 148, 149, 151, 184; 439/362,
439/387, 431, 815, 793-814; 361/686, 687,
361/703, 725; D14/100, 107, 114, 118
See application file for complete search history.

(56) **References Cited**

U.S. PATENT DOCUMENTS

D243,404 S * 2/1977 Mooney et al. D13/149
D487,062 S * 2/2004 Foster D13/151
D536,229 S * 2/2007 Clark et al. D8/72

D594,826 S * 6/2009 Sweeney et al. D13/155
D623,140 S * 9/2010 Quinn et al. D13/151
D626,087 S * 10/2010 Kiely D13/148
D629,364 S * 12/2010 Smith et al. D13/149

* cited by examiner

Primary Examiner — Thomas Johannes

(74) *Attorney, Agent, or Firm* — Alfred A. Fressola; Ware, Fressola, Van Der Sluys & Adolphson LLP

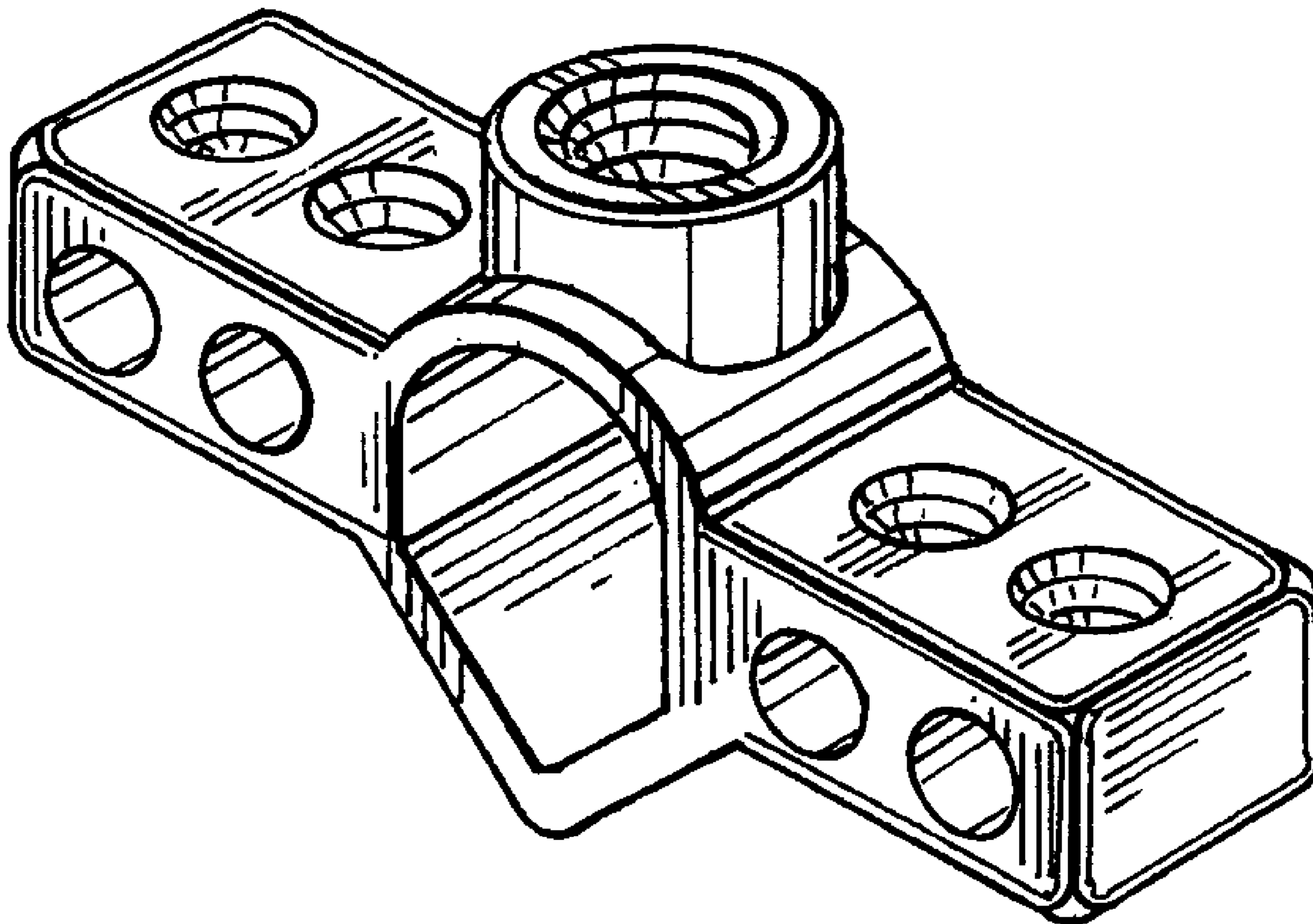
(57) **CLAIM**

The ornamental design for a combination grounding rod bridge, as shown and described.

DESCRIPTION

FIG. 1 is a perspective view of a combination grounding rod bridge, showing my new design;
FIG. 2 is a top plan view thereof;
FIG. 3 is a side elevational view thereof, the opposite side being identical in appearance;
FIG. 4 is a front elevational view thereof, the rear elevational view being identical in appearance; and,
FIG. 5 is a bottom plan view thereof.

1 Claim, 1 Drawing Sheet



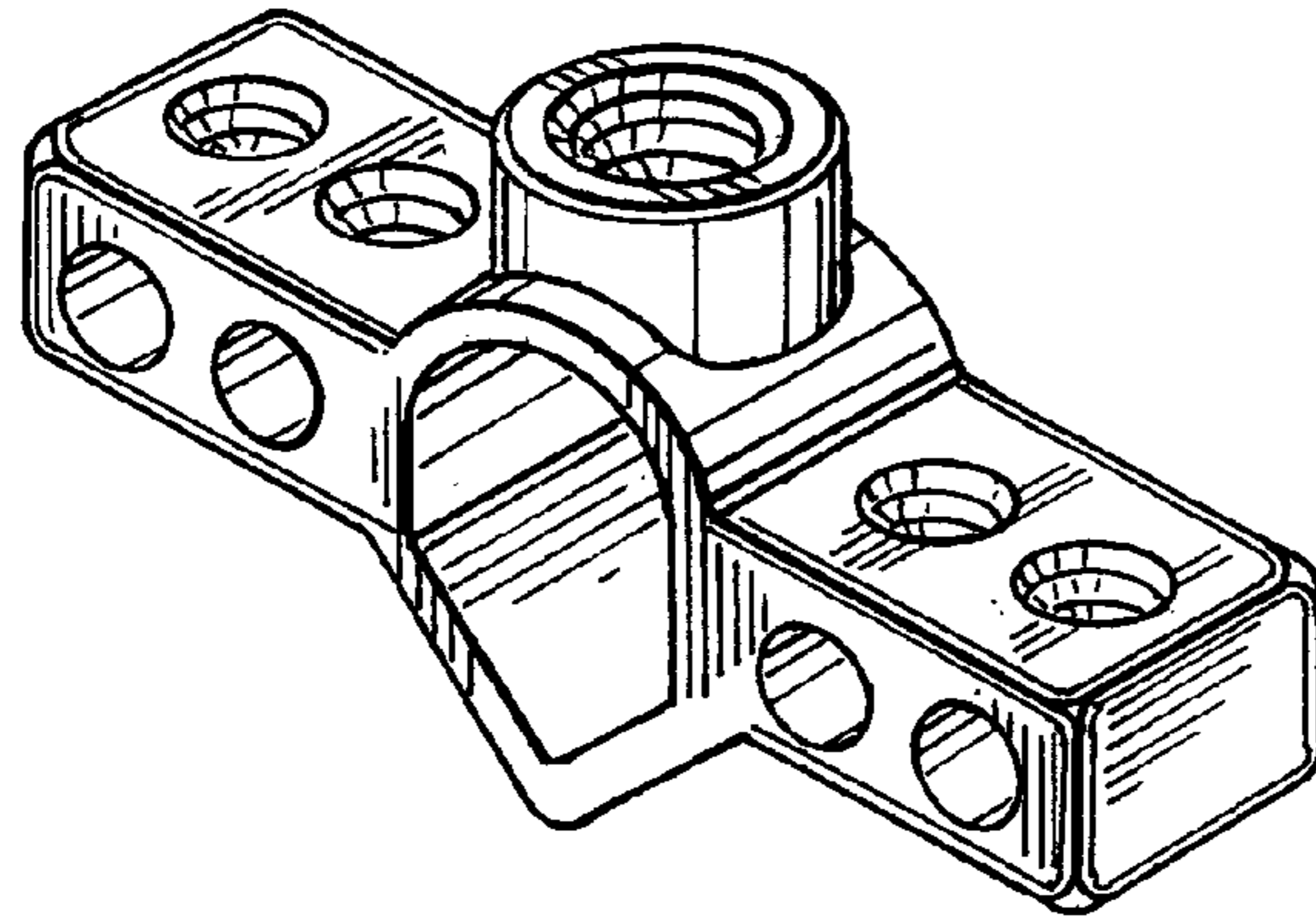


FIG. 1

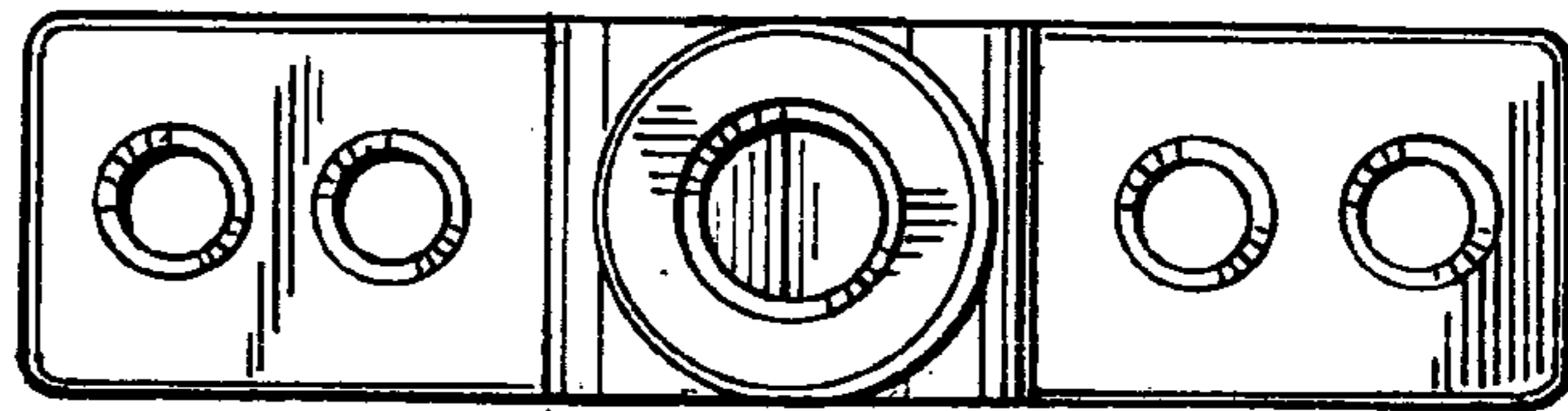


FIG. 2

FIG. 3

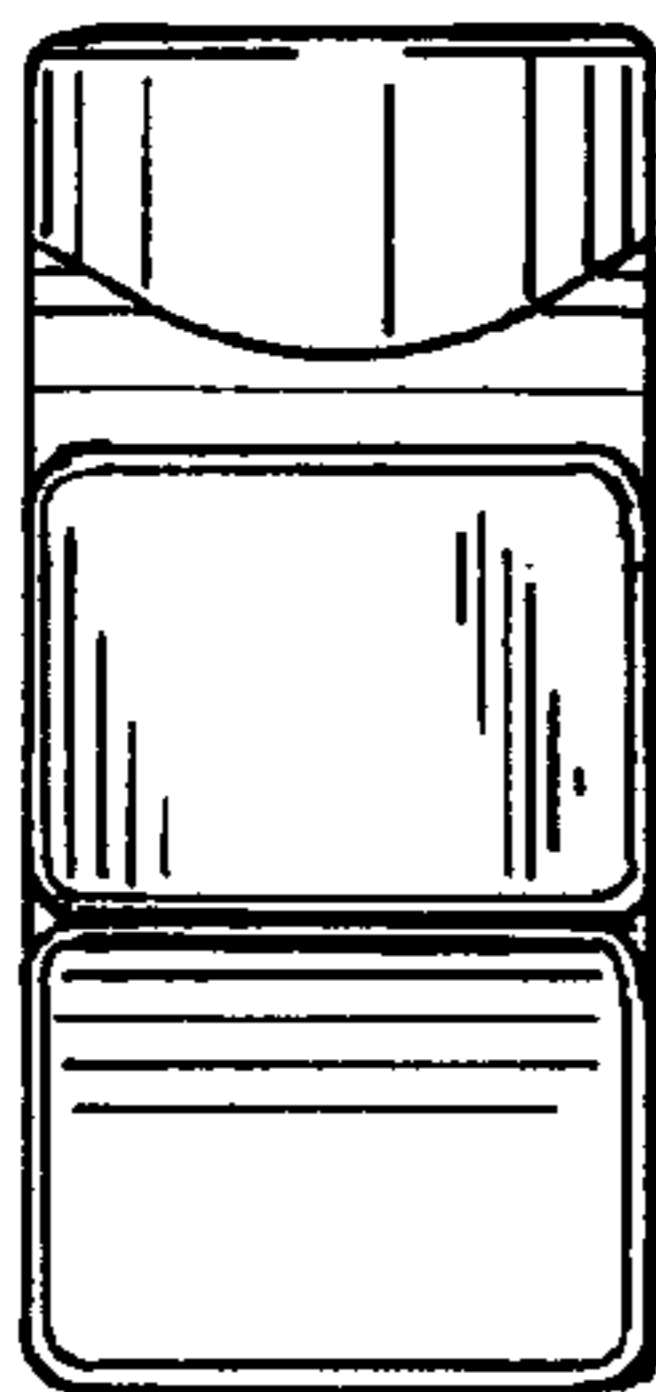


FIG. 4

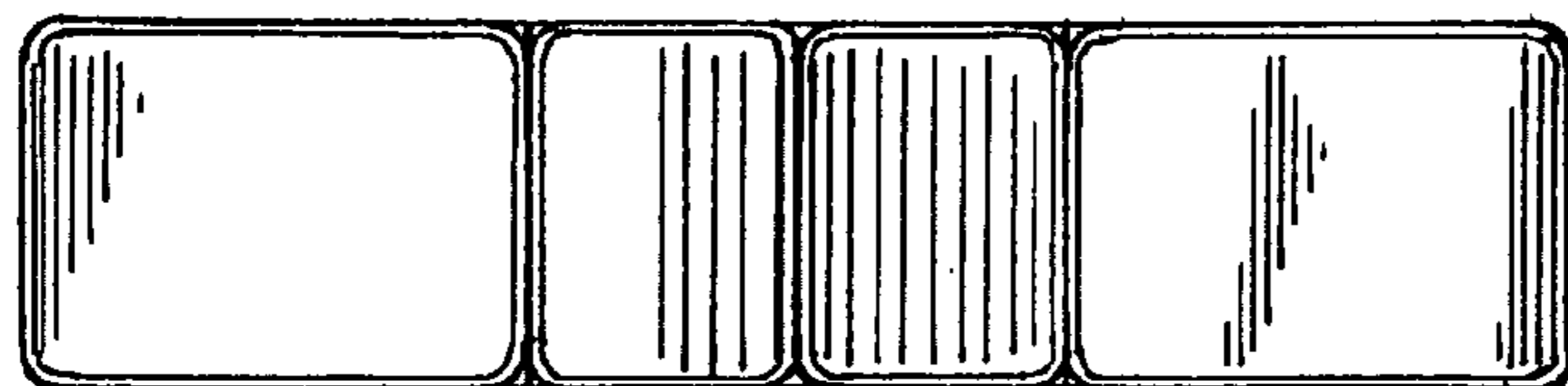
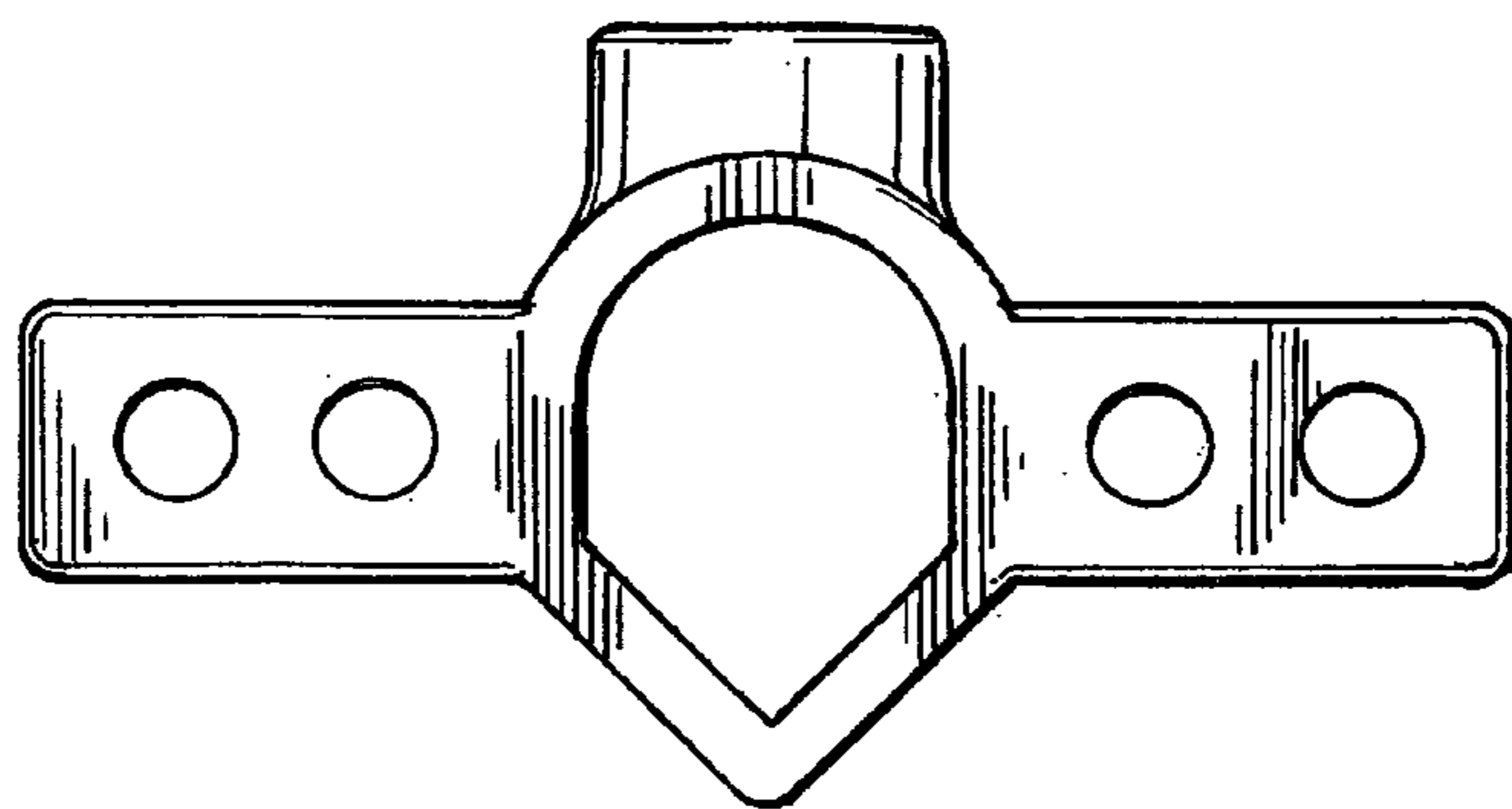


FIG. 5