

US00D648280S

(12) **United States Design Patent**  
**Zhang et al.**

(10) **Patent No.:** **US D648,280 S**

(45) **Date of Patent:** **\*\* Nov. 8, 2011**

(54) **GROUNDING SPRING**

(75) Inventors: **Hong-Tu Zhang**, Guang-Dong (CN);  
**Ping-Chih Chen**, Tu-Cheng (TW);  
**Ming-Chiang Chen**, Tu-Cheng (TW)

(73) Assignee: **Cheng UEI Precision Industry Co., Ltd.**, Tu-Cheng, Taipei Hsien (TW)

(\*\*) Term: **14 Years**

(21) Appl. No.: **29/377,924**

(22) Filed: **Oct. 27, 2010**

(51) **LOC (9) Cl.** ..... **13-03**

(52) **U.S. Cl.** ..... **D13/149**

(58) **Field of Classification Search** ..... D13/148,  
D13/149, 154, 184; 439/395-400, 845, 849-852,  
439/861-862, 884-885, 888-891  
See application file for complete search history.

(56) **References Cited**

**U.S. PATENT DOCUMENTS**

D410,226 S \* 5/1999 Yoshiura ..... D13/133  
6,065,980 A \* 5/2000 Leung et al. .... 439/92  
6,293,833 B1 \* 9/2001 Kamath ..... 439/851

D555,093 S \* 11/2007 Chien et al. .... D13/133  
D555,095 S \* 11/2007 Ho ..... D13/133  
D569,802 S \* 5/2008 Long et al. .... D13/133  
D570,288 S \* 6/2008 Ma et al. .... D13/133  
D598,864 S \* 8/2009 Chiang et al. .... D13/154  
D624,027 S \* 9/2010 Huang et al. .... D13/154  
D626,089 S \* 10/2010 Luo et al. .... D13/154

\* cited by examiner

*Primary Examiner* — Thomas Johannes

(74) *Attorney, Agent, or Firm* — Cheng-Ju Chiang

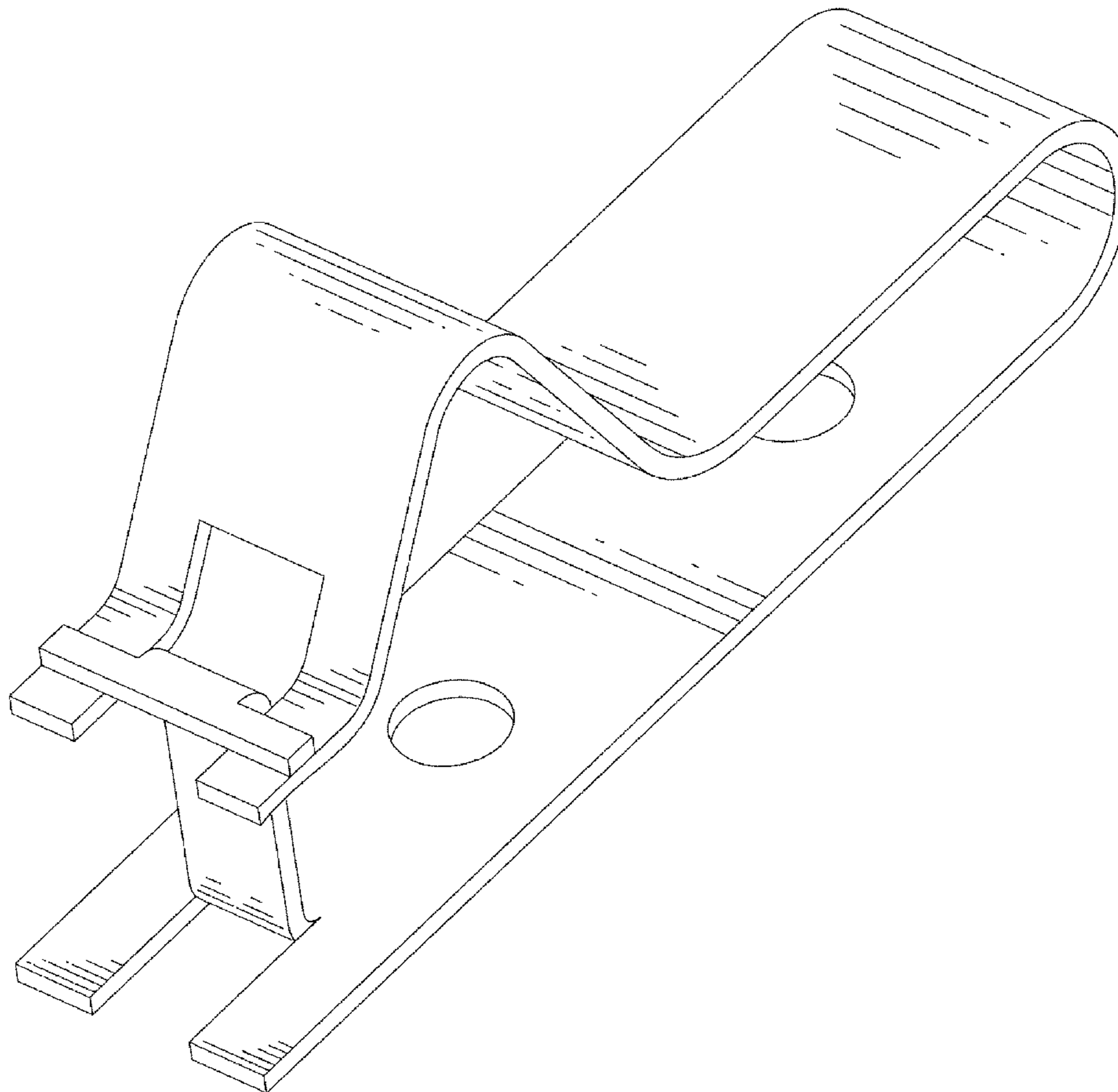
(57) **CLAIM**

The ornamental design for a grounding spring, as shown and described.

**DESCRIPTION**

FIG. 1 is a perspective view of a grounding spring showing our new design;  
FIG. 2 is a front elevational view thereof;  
FIG. 3 is a rear elevational view thereof;  
FIG. 4 is a left side elevational view thereof;  
FIG. 5 is a right side elevational view thereof;  
FIG. 6 is a top plan view thereof; and,  
FIG. 7 is a bottom plan view thereof.

**1 Claim, 7 Drawing Sheets**



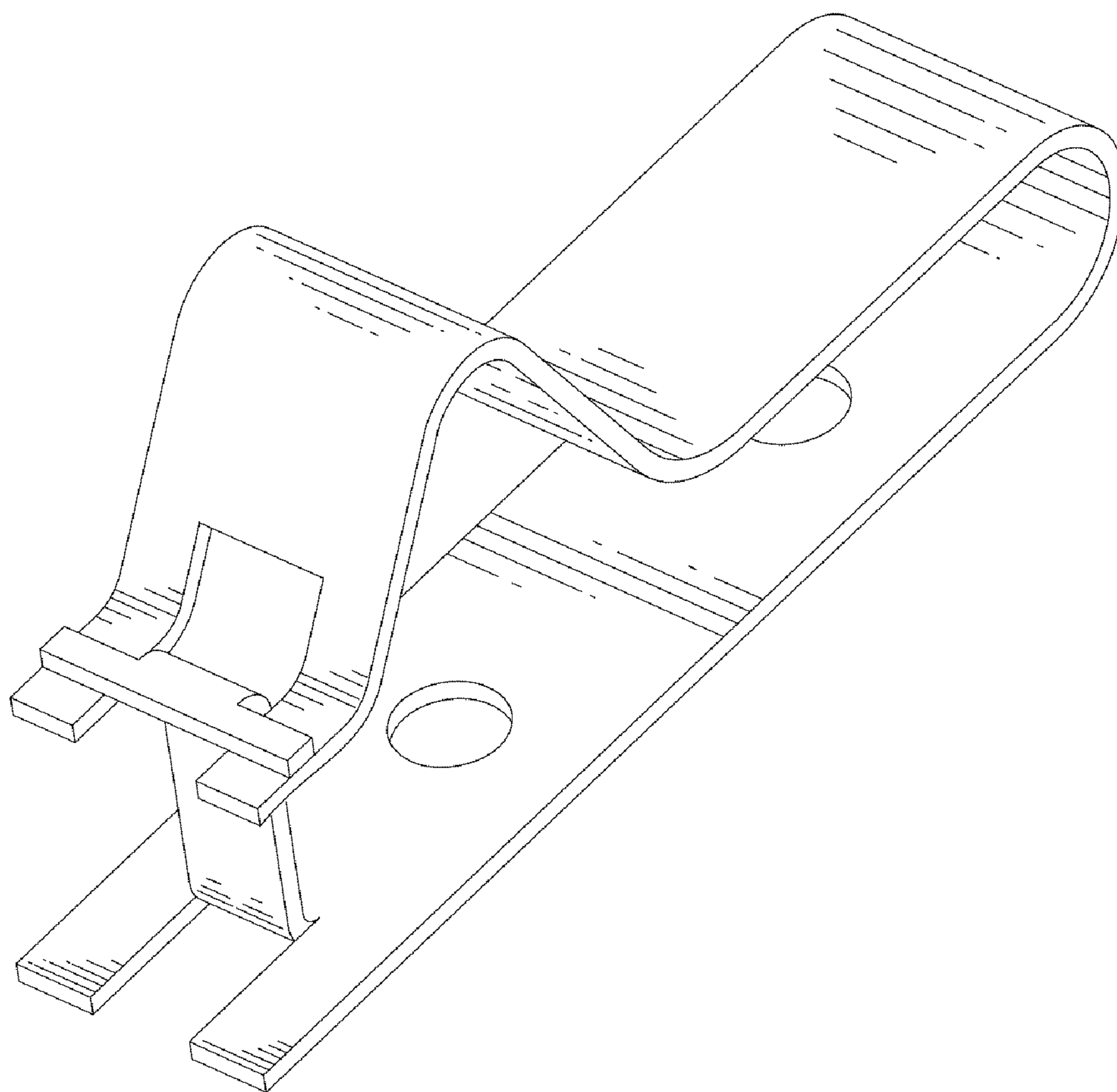


FIG. 1

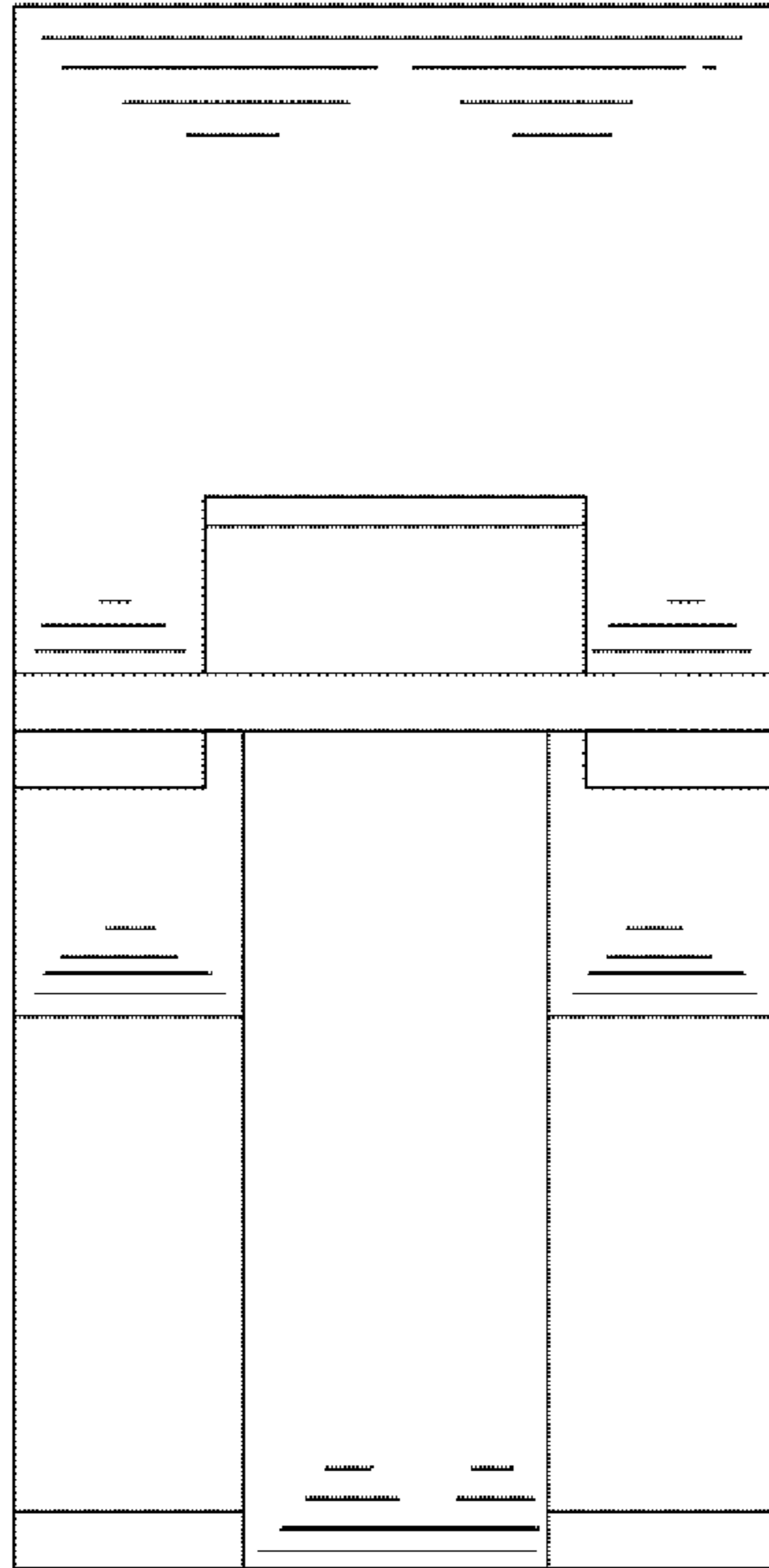


FIG. 2

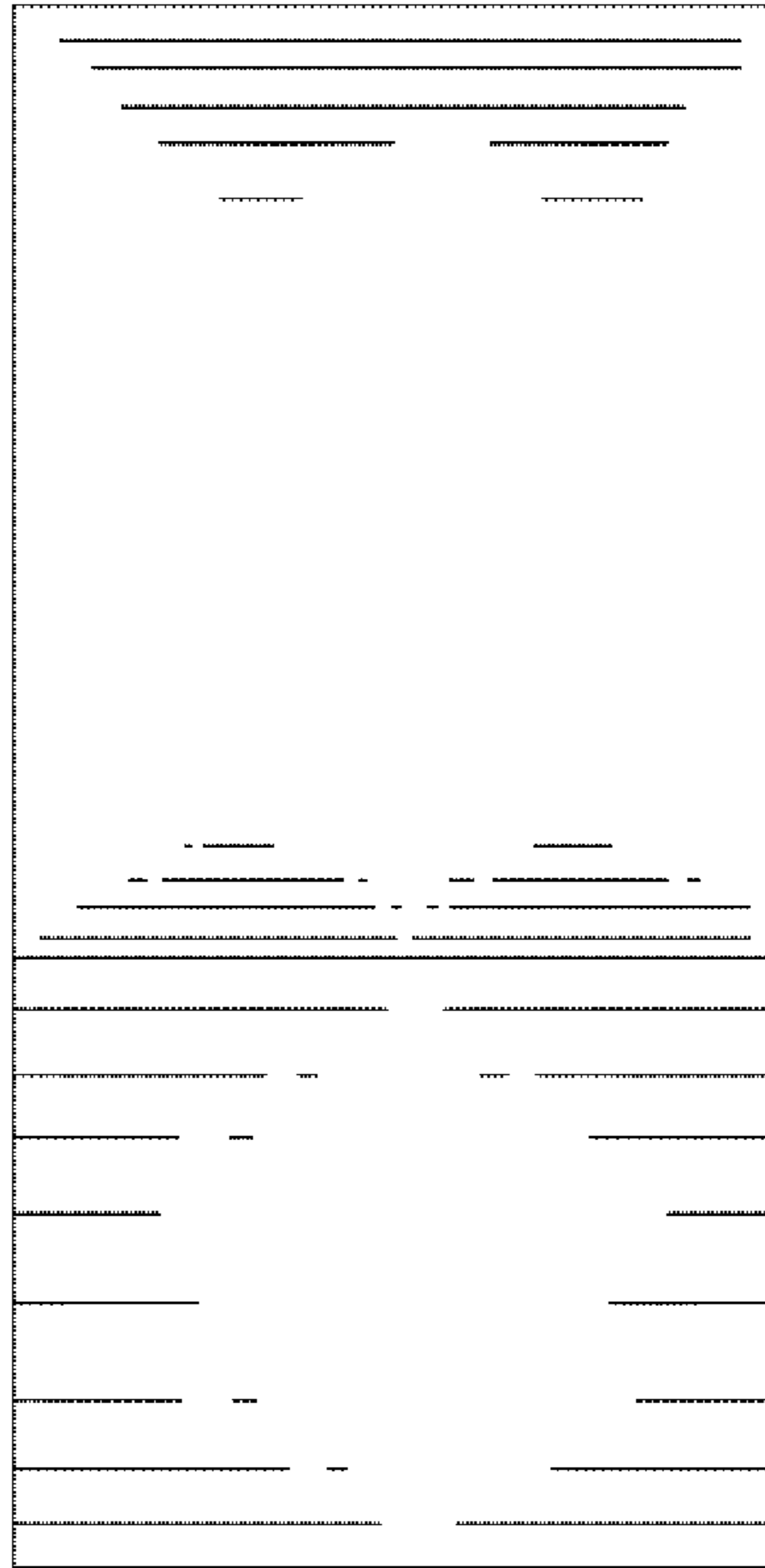


FIG. 3

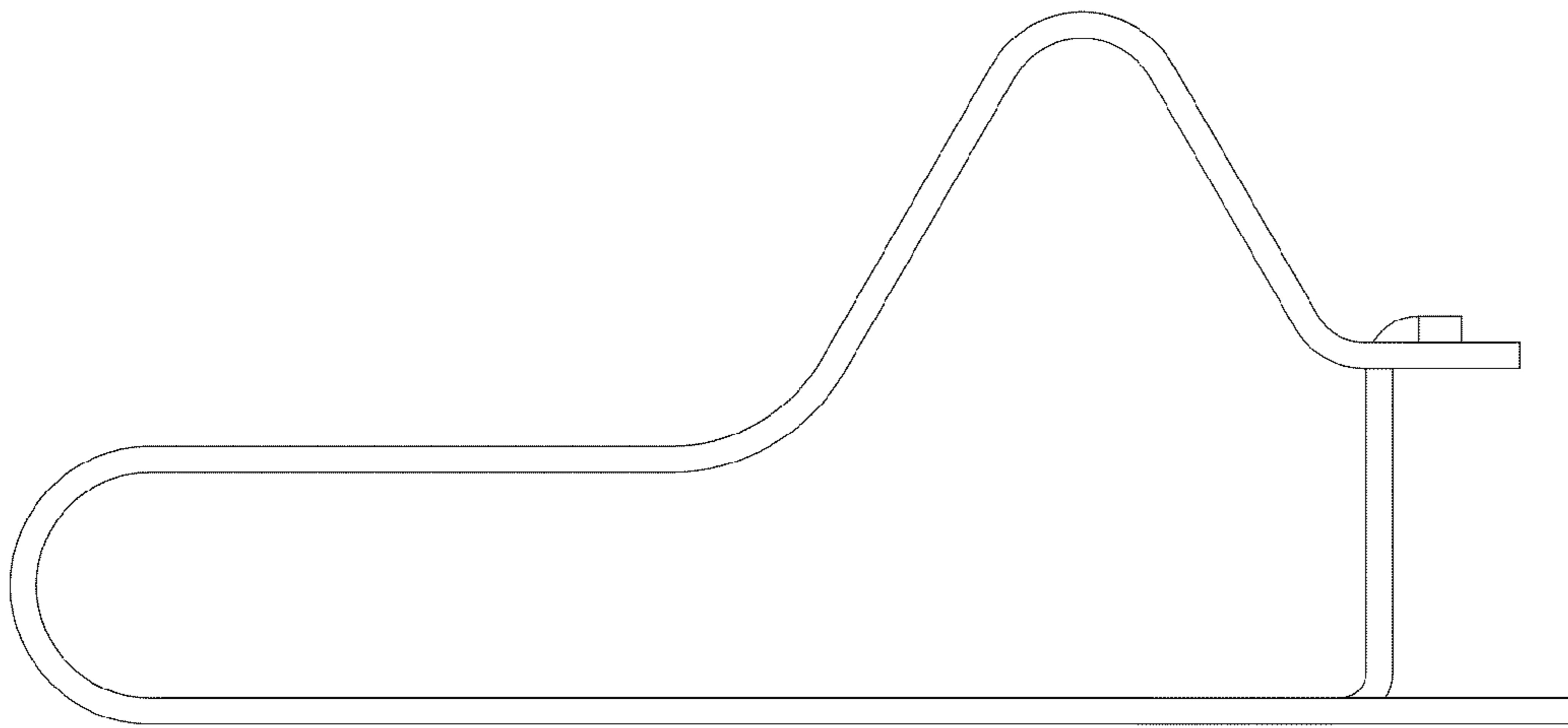


FIG. 4

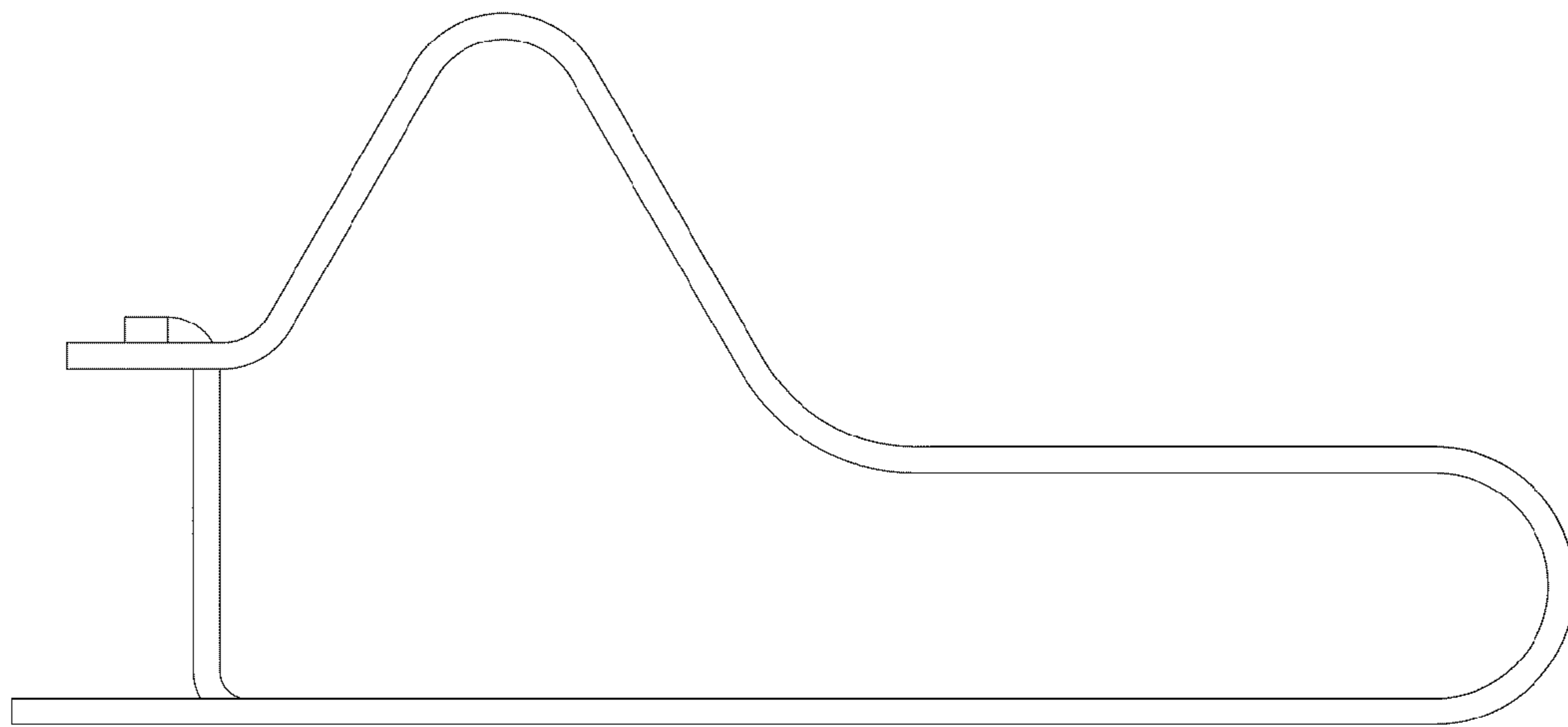


FIG. 5

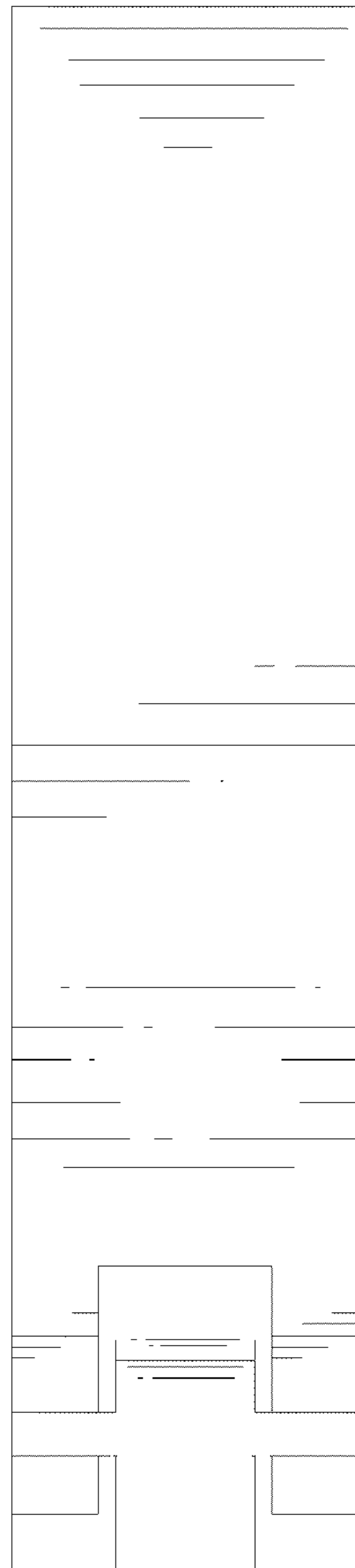


FIG. 6

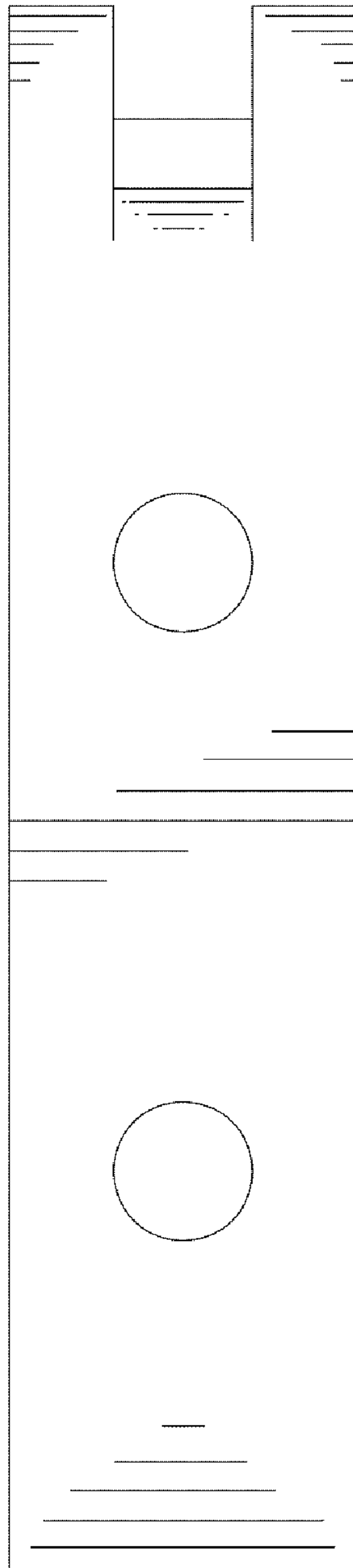


FIG. 7