



US00D648276S

(12) **United States Design Patent**
Hsu et al.

(10) **Patent No.:** **US D648,276 S**
(45) **Date of Patent:** **** Nov. 8, 2011**

(54) **CONNECTOR ASSEMBLY**

(75) Inventors: **Ya-Hui Hsu**, Taipei (TW); **Mei-Chuan Yang**, Taipei (TW)

(73) Assignee: **Cheng Uei Precision Industry Co., Ltd.**, New Taipei (TW)

(**) Term: **14 Years**

(21) Appl. No.: **29/353,498**

(22) Filed: **Jan. 9, 2010**

(51) **LOC (9) Cl.** **13-03**

(52) **U.S. Cl.** **D13/147**

(58) **Field of Classification Search** D13/120,
D13/147, 154, 184; 439/76.1, 246, 374,
439/381, 527, 529, 626, 630, 849–852, 861–862,
439/884–885, 889–892, 894
See application file for complete search history.

(56) **References Cited**

U.S. PATENT DOCUMENTS

D213,697 S * 4/1969 Oxley D13/147
D540,258 S * 4/2007 Peng et al. D13/147

D584,237 S * 1/2009 Zhu D13/154
7,484,998 B2 * 2/2009 Benham 439/579
D606,023 S * 12/2009 Mase D13/147
D608,287 S * 1/2010 Zheng et al. D13/147
8,002,584 B1 * 8/2011 Hsu et al. 439/626

* cited by examiner

Primary Examiner — Daniel Bui

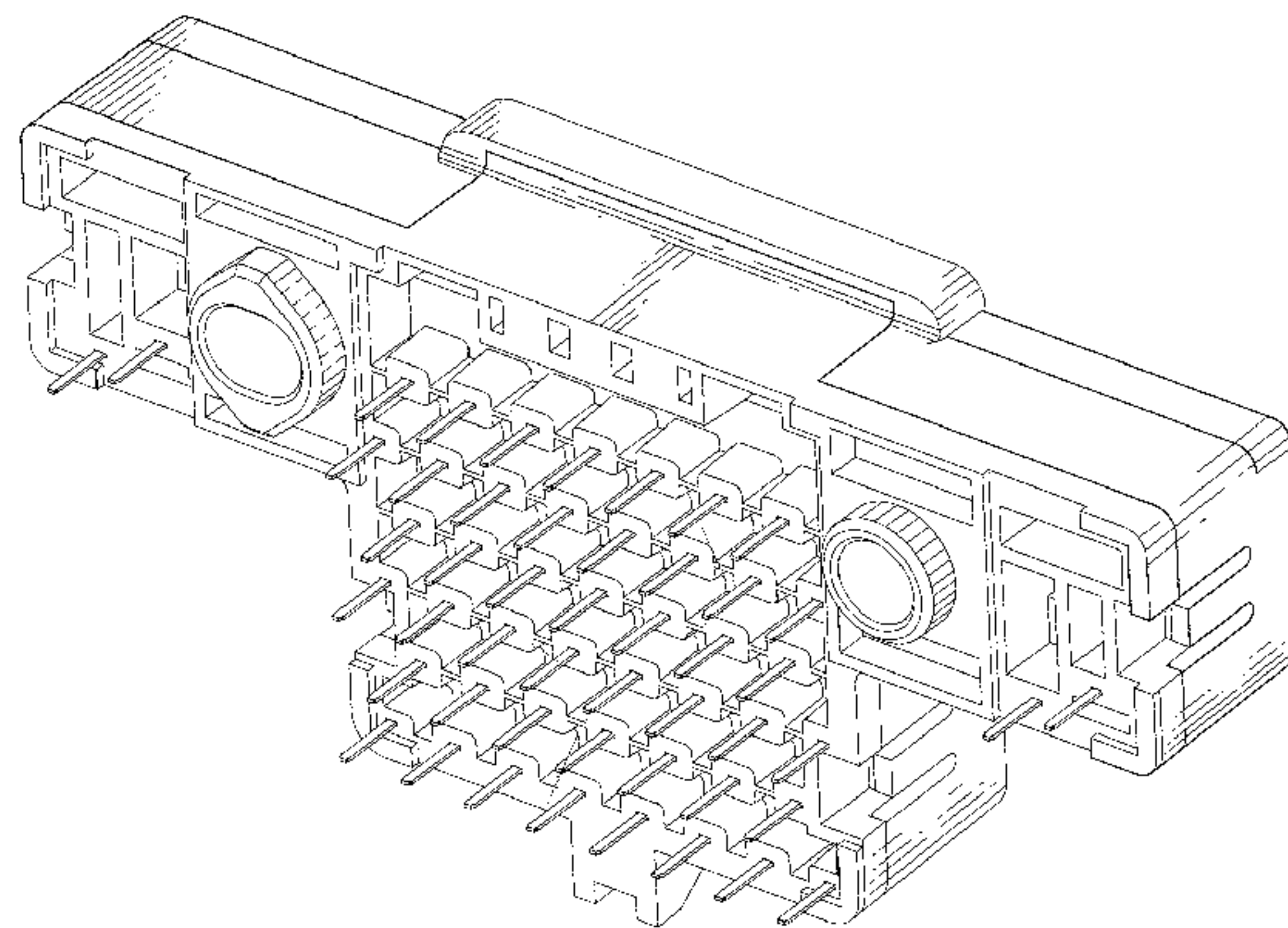
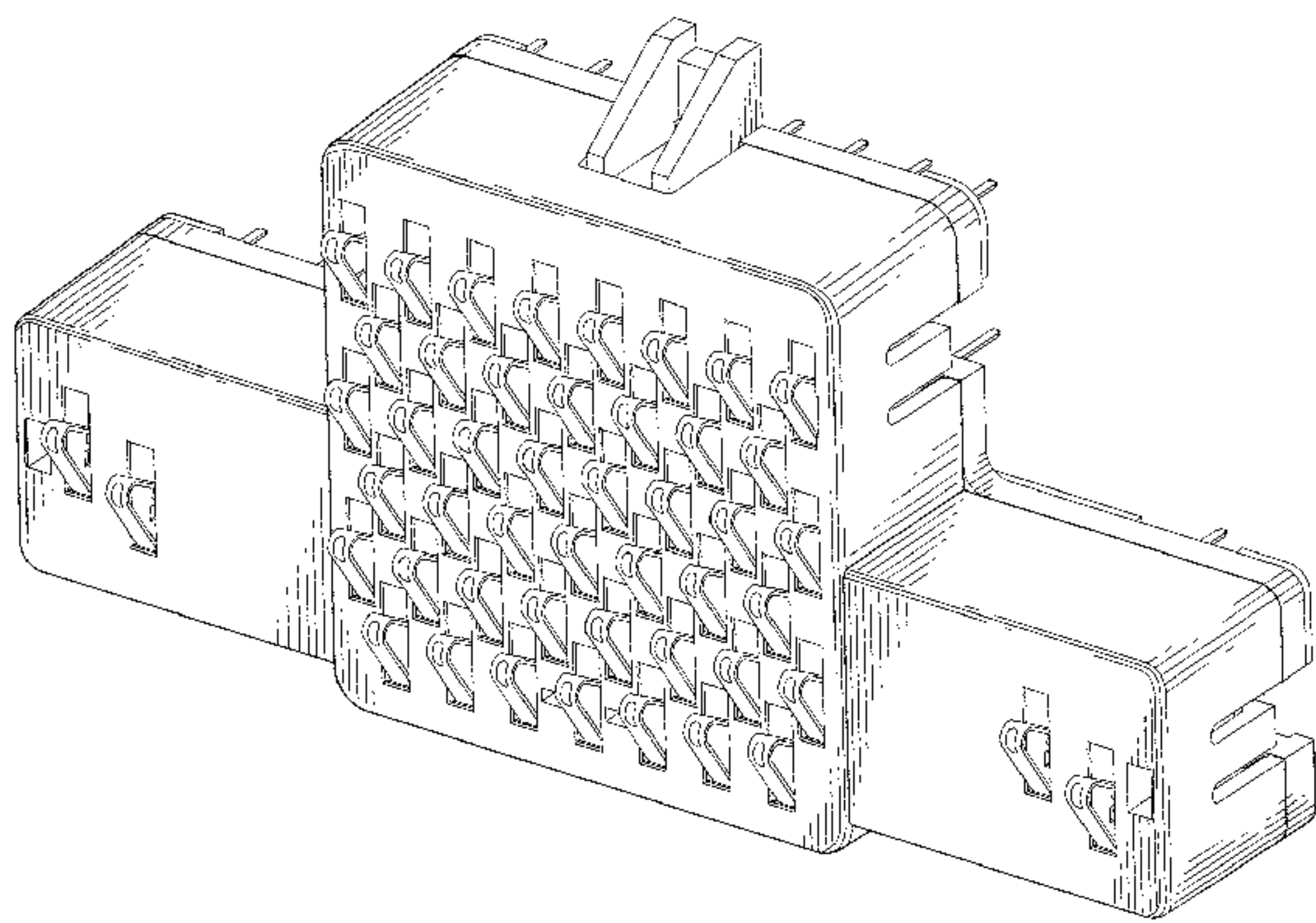
(57) **CLAIM**

The ornamental design for a connector assembly, as shown and described.

DESCRIPTION

FIG. 1 is a perspective view of a connector assembly showing our new design;
FIG. 2 is a front elevational view thereof;
FIG. 3 is a rear elevational view thereof;
FIG. 4 is a left side elevational view thereof;
FIG. 5 is a right side elevational view thereof;
FIG. 6 is a top plan view thereof;
FIG. 7 is a bottom plan view thereof; and,
FIG. 8 is another perspective view of the connector assembly showing our new design.

1 Claim, 8 Drawing Sheets



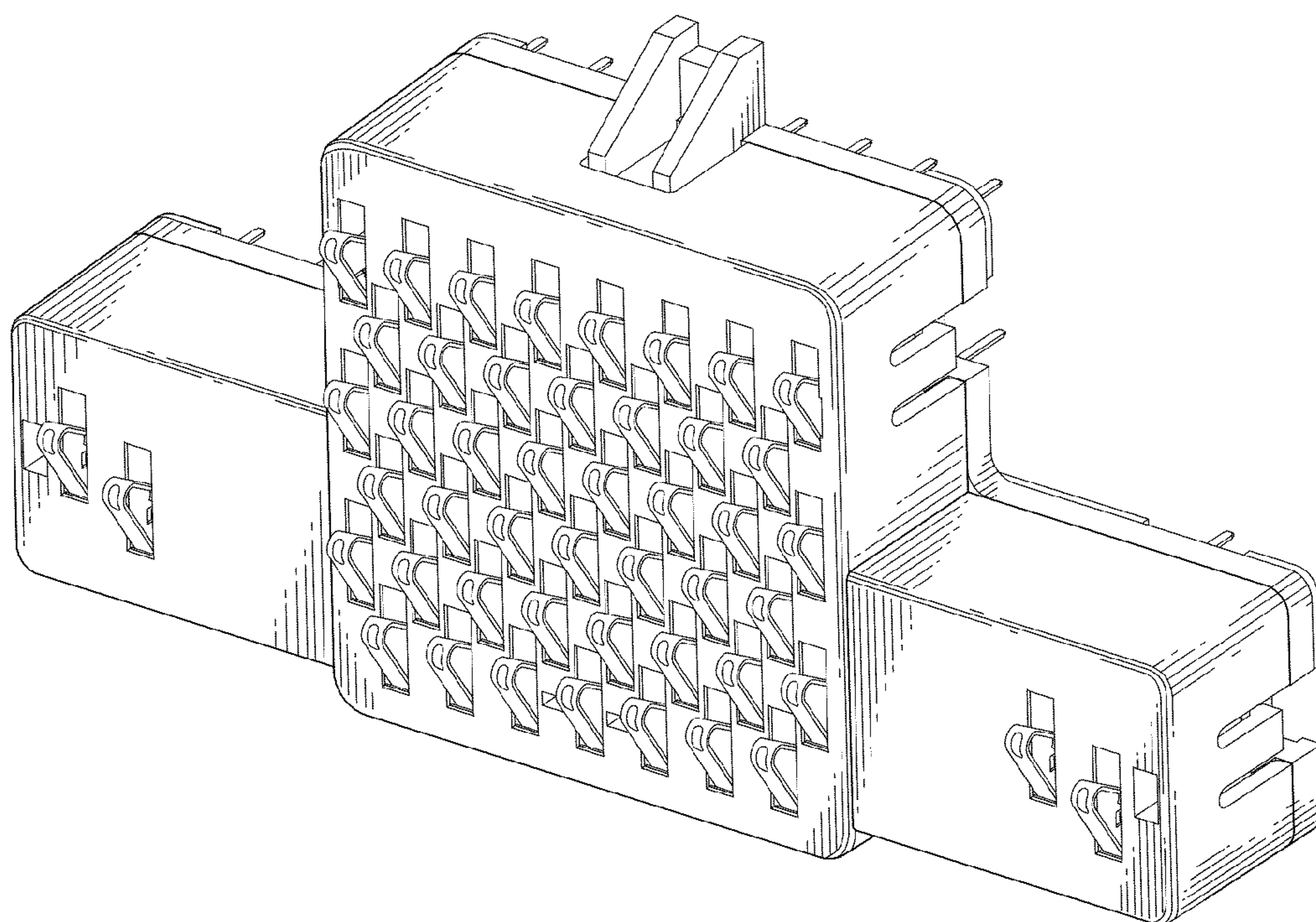


FIG. 1

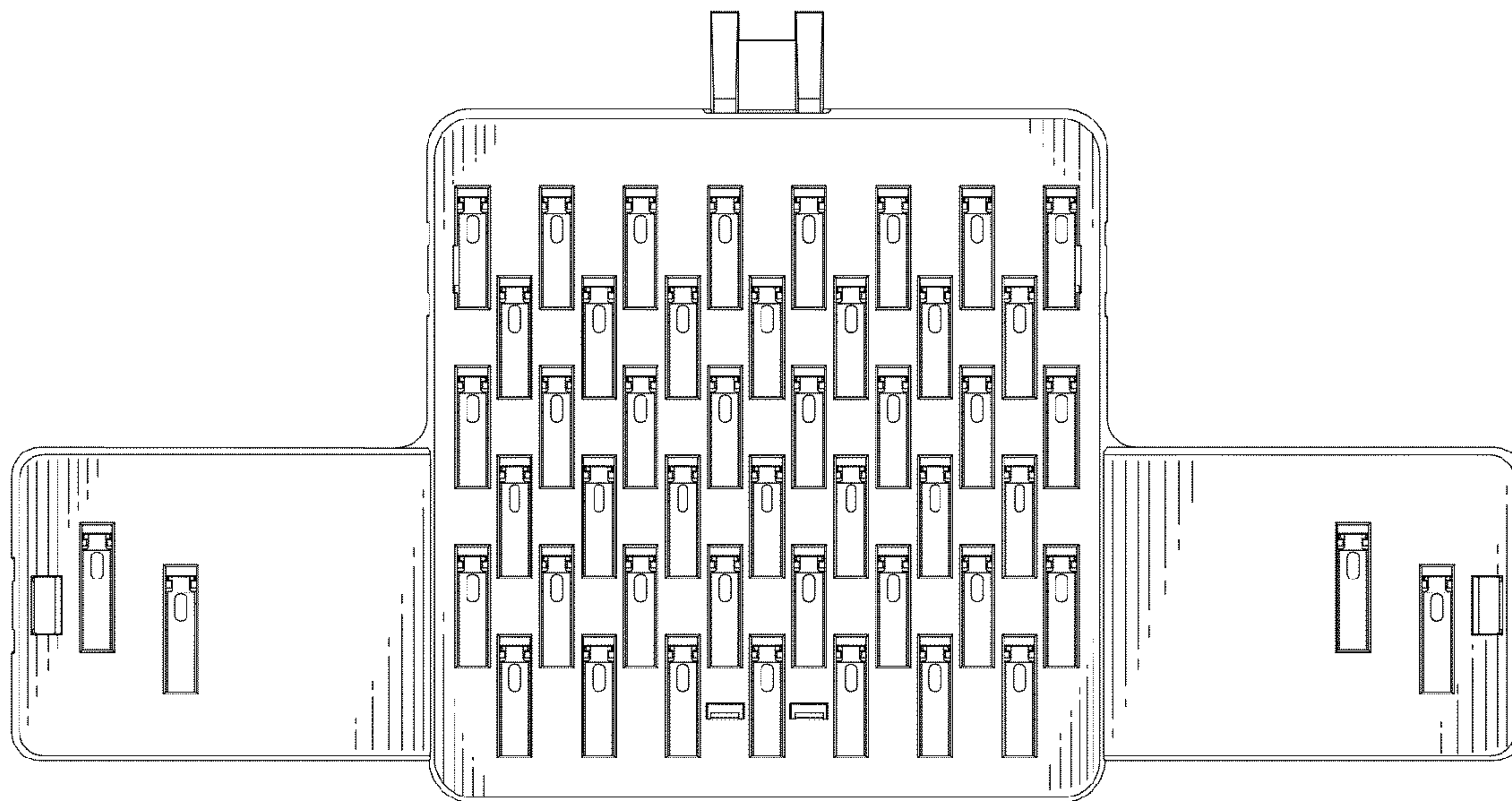


FIG. 2

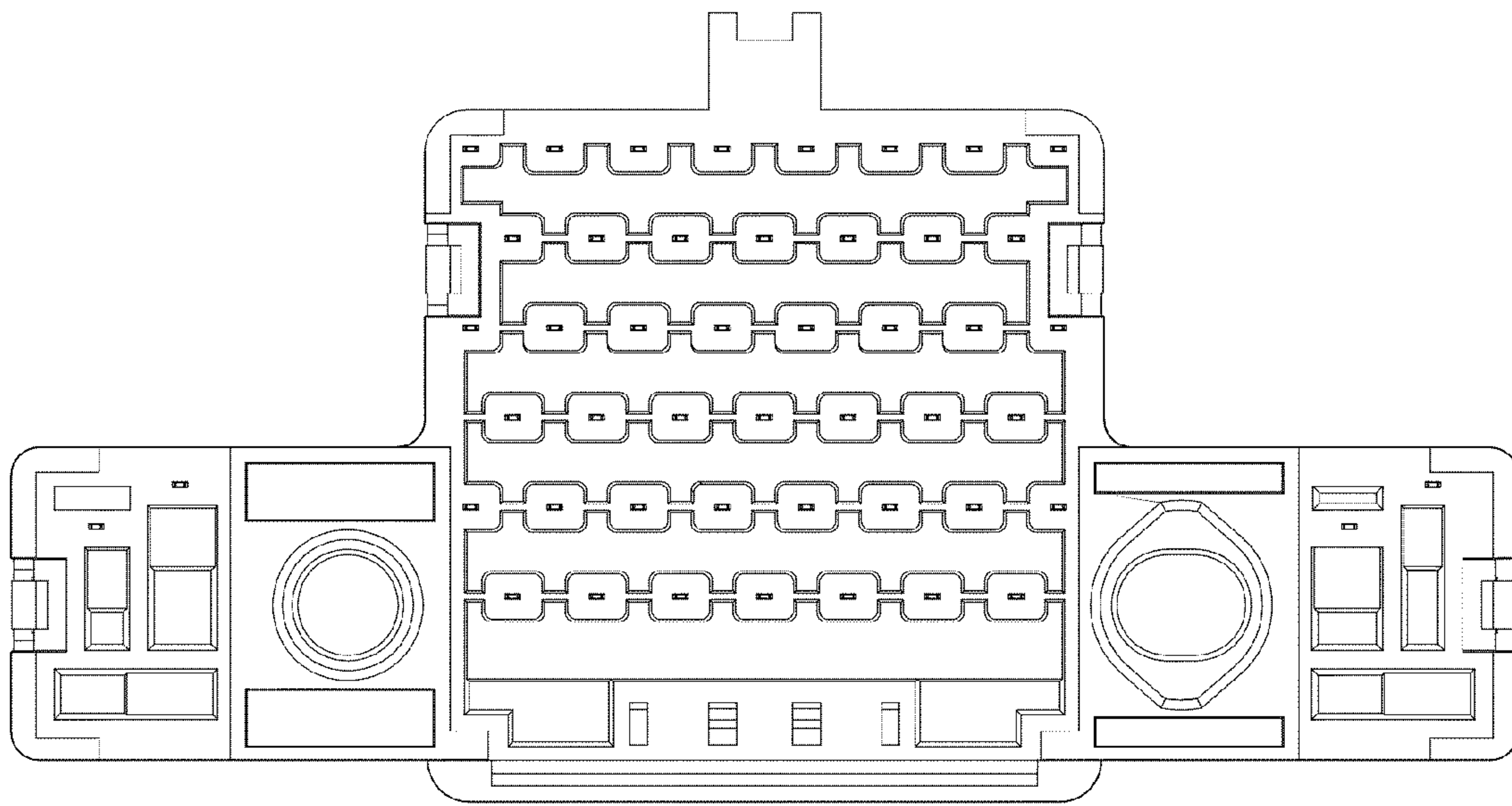


FIG. 3

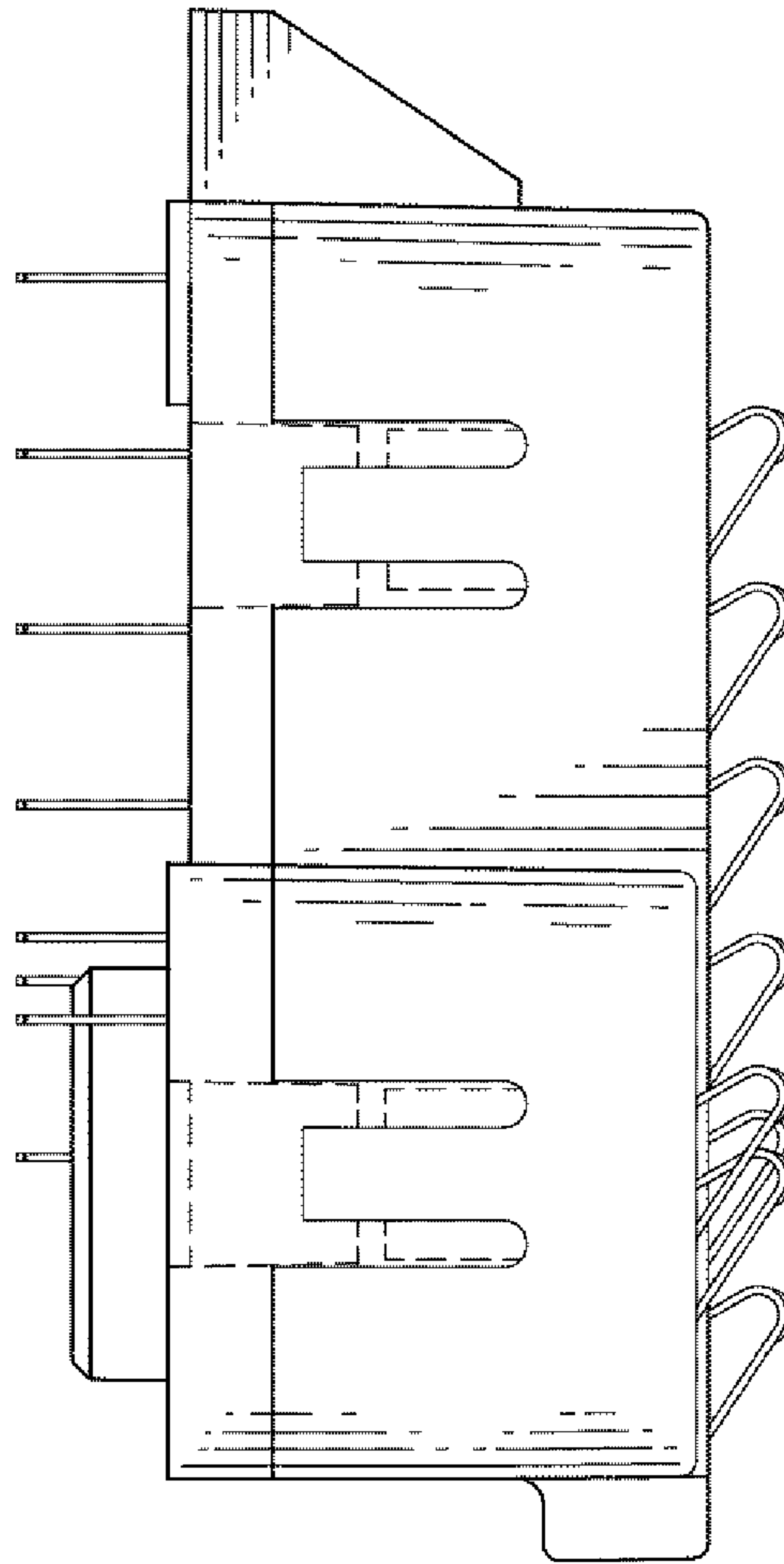


FIG. 4

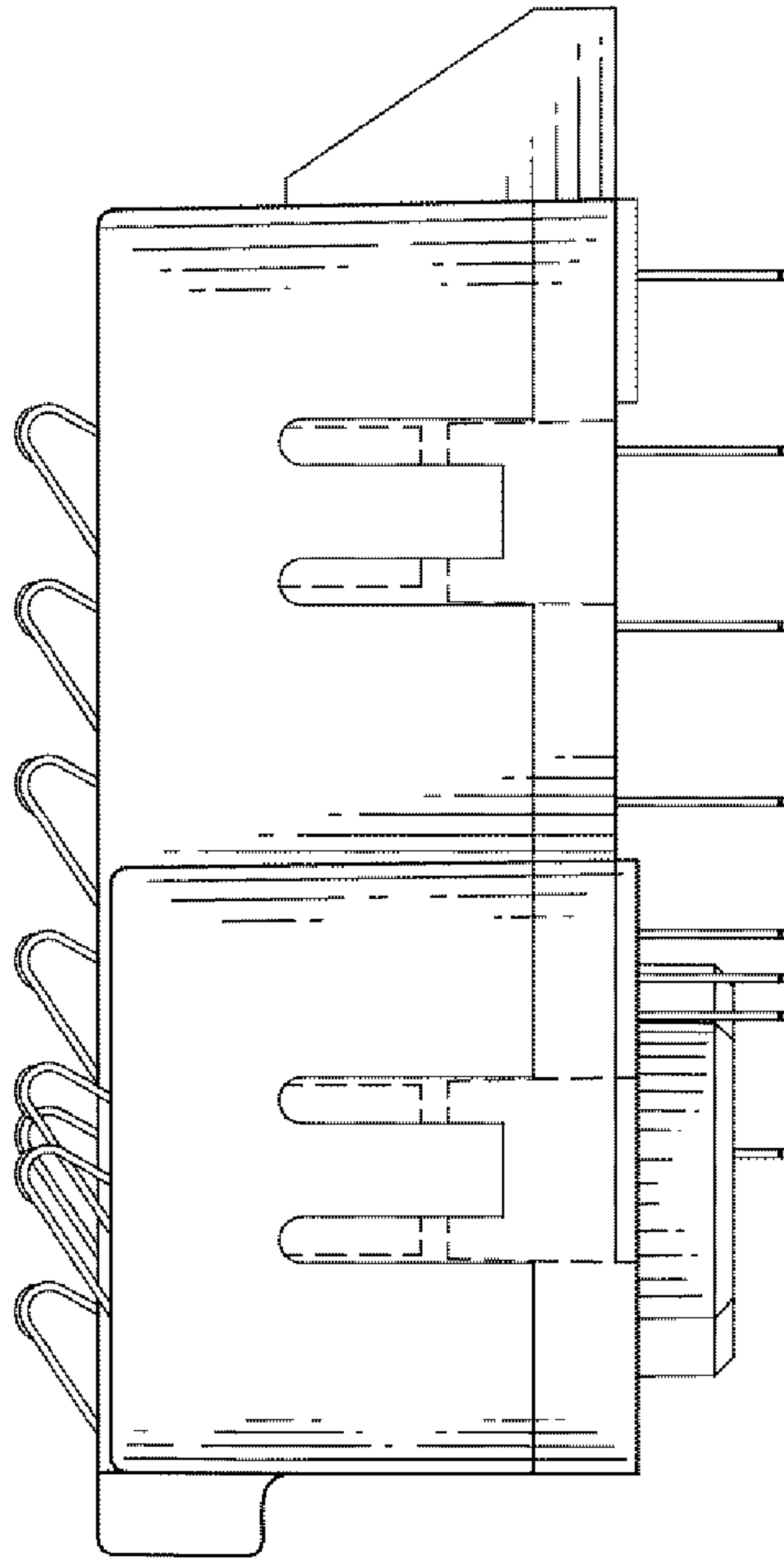


FIG. 5

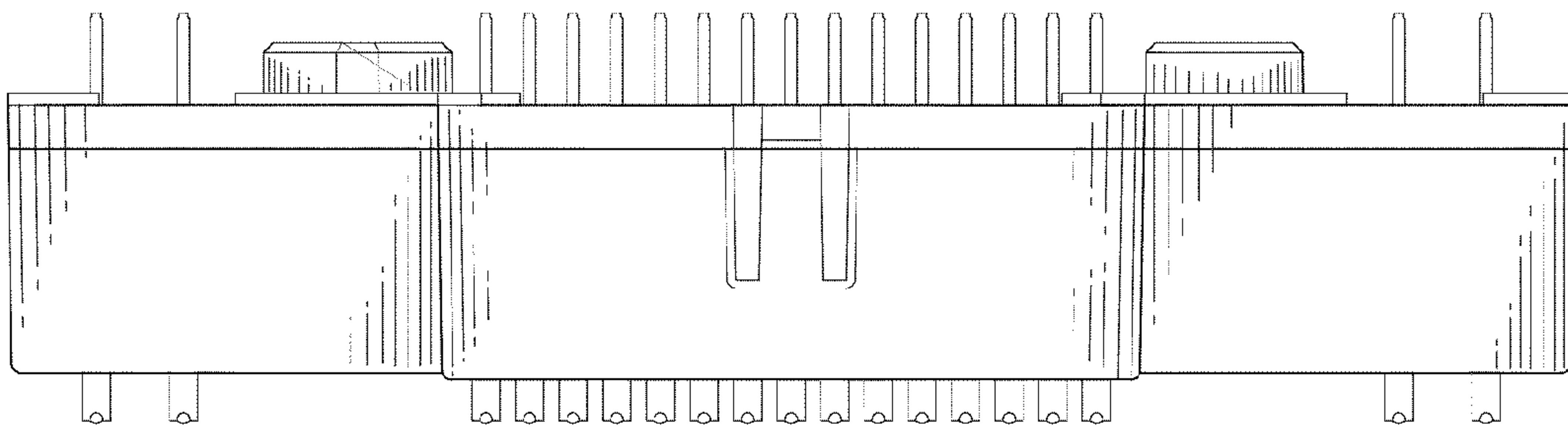


FIG. 6

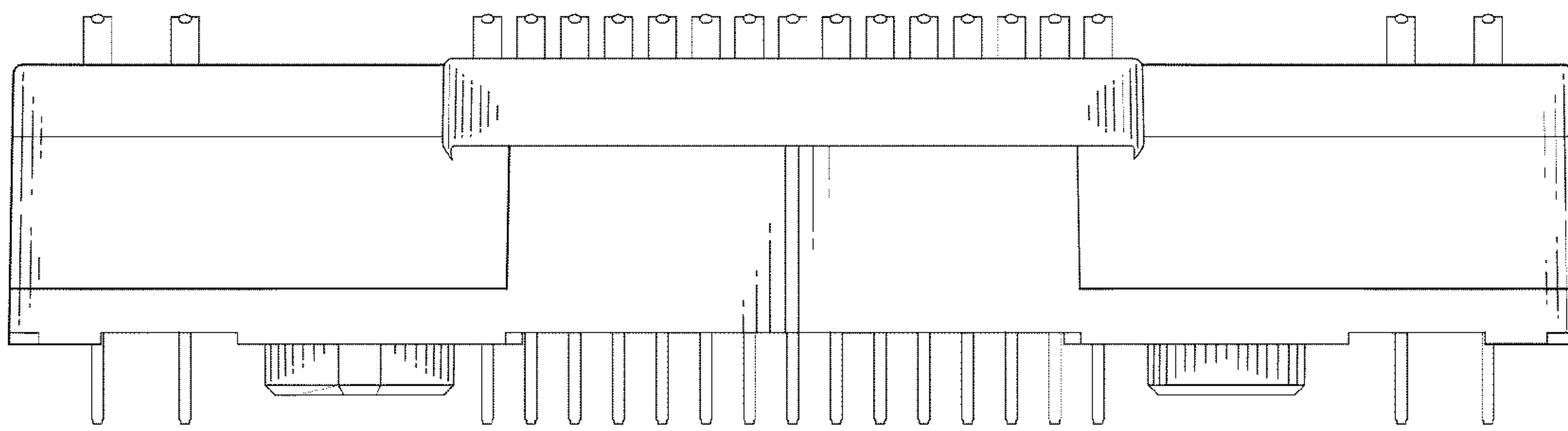


FIG. 7

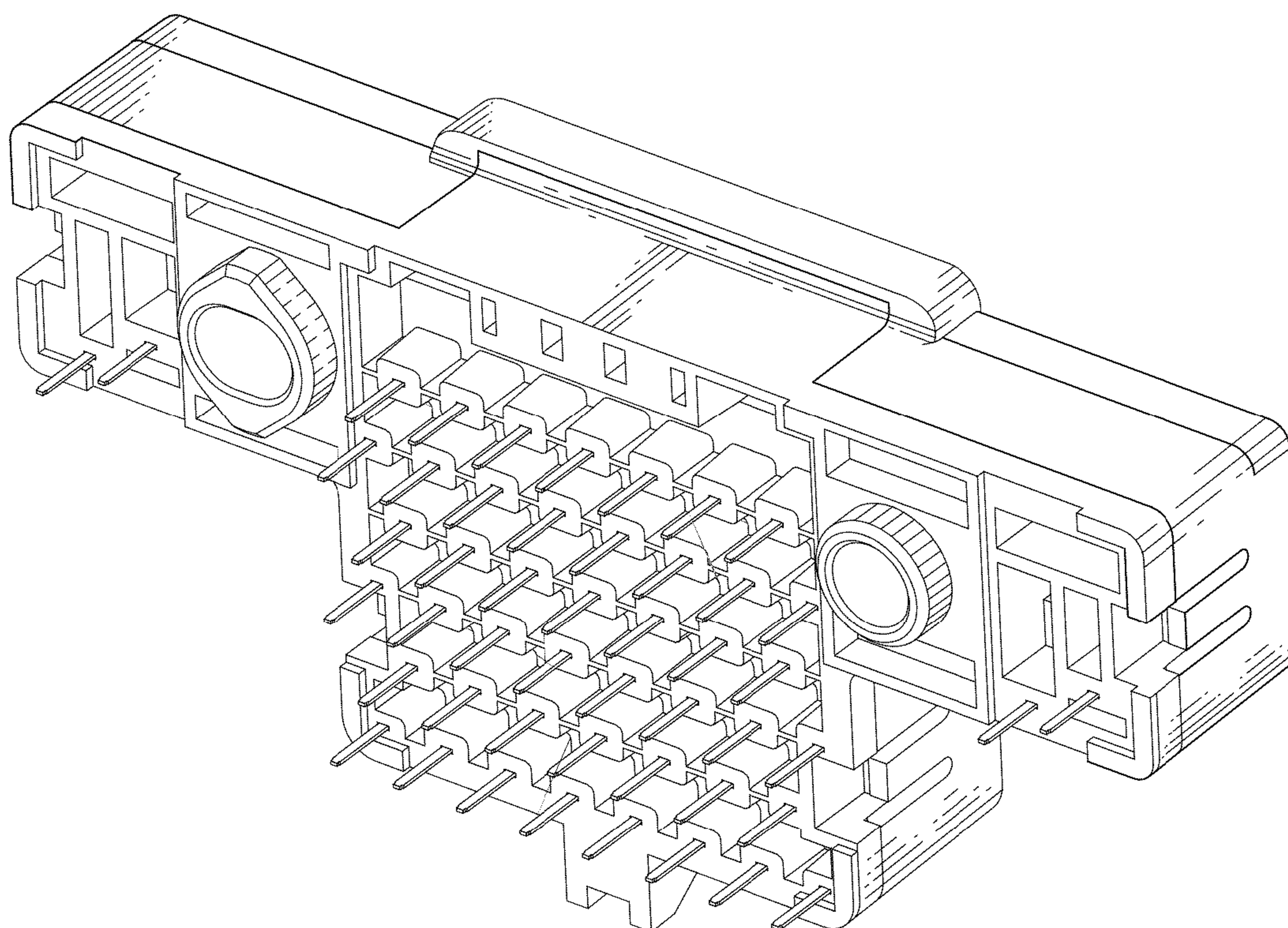


FIG. 8