



US00D648274S

(12) **United States Design Patent**  
**Spilker et al.**

(10) **Patent No.:** **US D648,274 S**

(45) **Date of Patent:** **\*\* Nov. 8, 2011**

(54) **CONNECTION SOCKET**

(75) Inventors: **Nicole Spilker**, Lübbecke (DE); **Dieter Riepe**, Lübbecke (DE); **Frank Quast**, Bielefeld (DE); **Andreas Naß**, Warmсен (DE); **Martin Schmidt**, Lübbecke (DE)

(73) Assignee: **Harting Electric GmbH & Co. KG**, Espelkamp (DE)

(\*\*) Term: **14 Years**

(21) Appl. No.: **29/376,490**

(22) Filed: **Oct. 7, 2010**

(30) **Foreign Application Priority Data**

Apr. 13, 2010 (EM) ..... 001208425

(51) **LOC (9) Cl.** ..... **13-03**

(52) **U.S. Cl.** ..... **D13/133; D13/156**

(58) **Field of Classification Search** ..... D13/133, D13/154, 156, 184, 199; 439/180, 252, 266, 439/278, 445, 446, 447, 527, 529, 533, 687, 439/892, 894, 901, 907, 908, 954  
See application file for complete search history.

(56) **References Cited**

**U.S. PATENT DOCUMENTS**

3,760,333 A \* 9/1973 Stieler ..... 439/271  
D320,785 S \* 10/1991 Ruttgerodt ..... D13/168  
5,318,457 A \* 6/1994 Harting et al. .... 439/352  
6,644,999 B1 \* 11/2003 Tan et al. .... 439/446  
D497,880 S \* 11/2004 Apotheloz ..... D13/168

6,969,283 B2 \* 11/2005 Schmidt ..... 439/687  
D616,821 S \* 6/2010 The ..... D13/133  
D624,028 S \* 9/2010 Stamate et al. .... D13/168  
7,938,685 B2 \* 5/2011 Zwanger ..... 439/607.55  
2004/0152364 A1 \* 8/2004 Schmidt ..... 439/687  
2005/0079749 A1 \* 4/2005 Schmidt et al. .... 439/275

**OTHER PUBLICATIONS**

Product Catalogue of Harting Electric GmbH & Co. KG, May 2, 1996, 14 pages.

\* cited by examiner

*Primary Examiner* — Daniel Bui

(74) *Attorney, Agent, or Firm* — Seed IP Law Group PLLC

(57) **CLAIM**

The ornamental design for a connection socket, substantially as shown and described.

**DESCRIPTION**

FIG. 1 is a left side perspective view of a connection socket, showing our new design.

FIG. 2 is a right side perspective view thereof.

FIG. 3 is a front perspective view thereof.

FIG. 4 is a rear perspective view thereof.

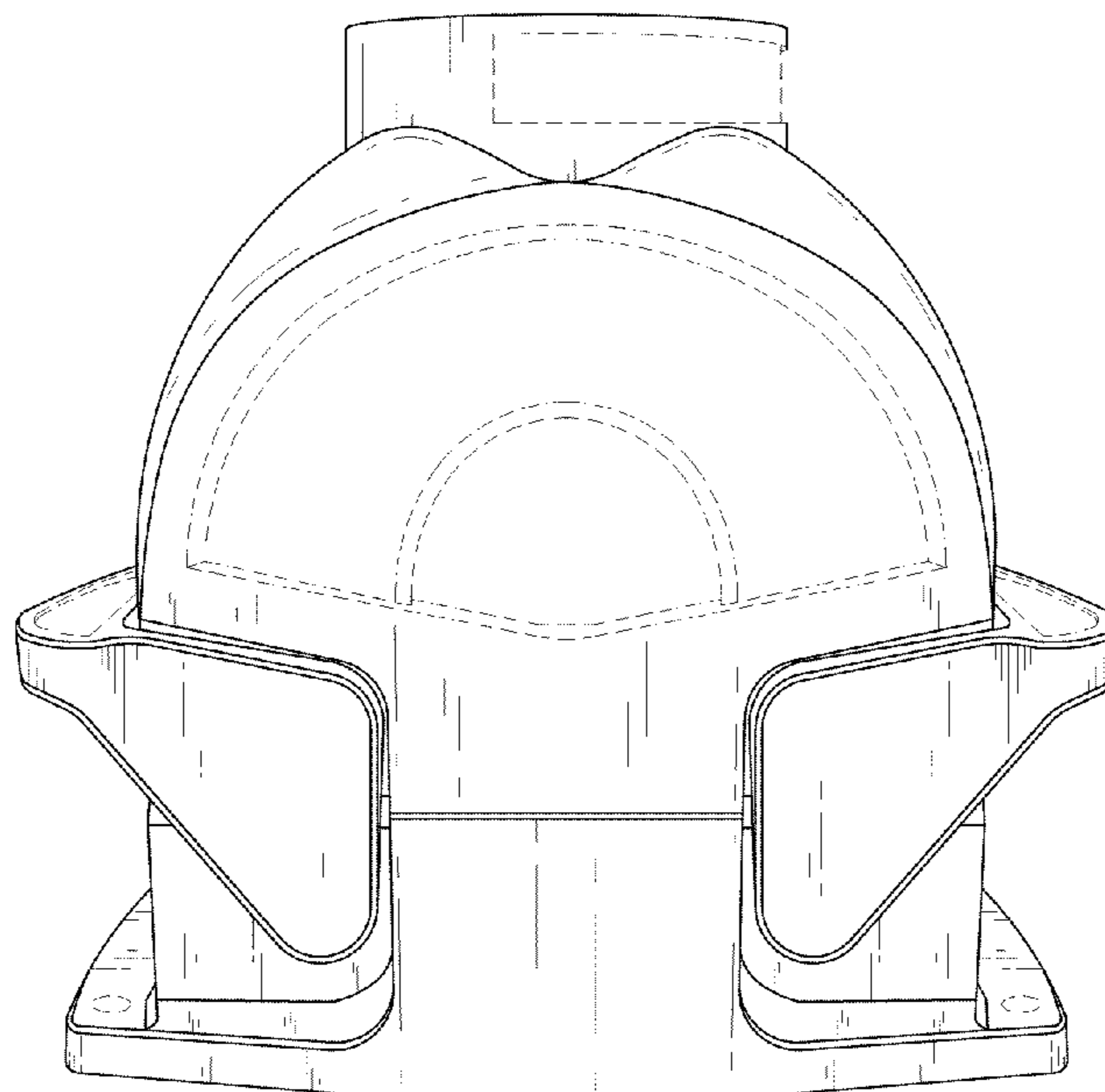
FIG. 5 is a top perspective view thereof; and,

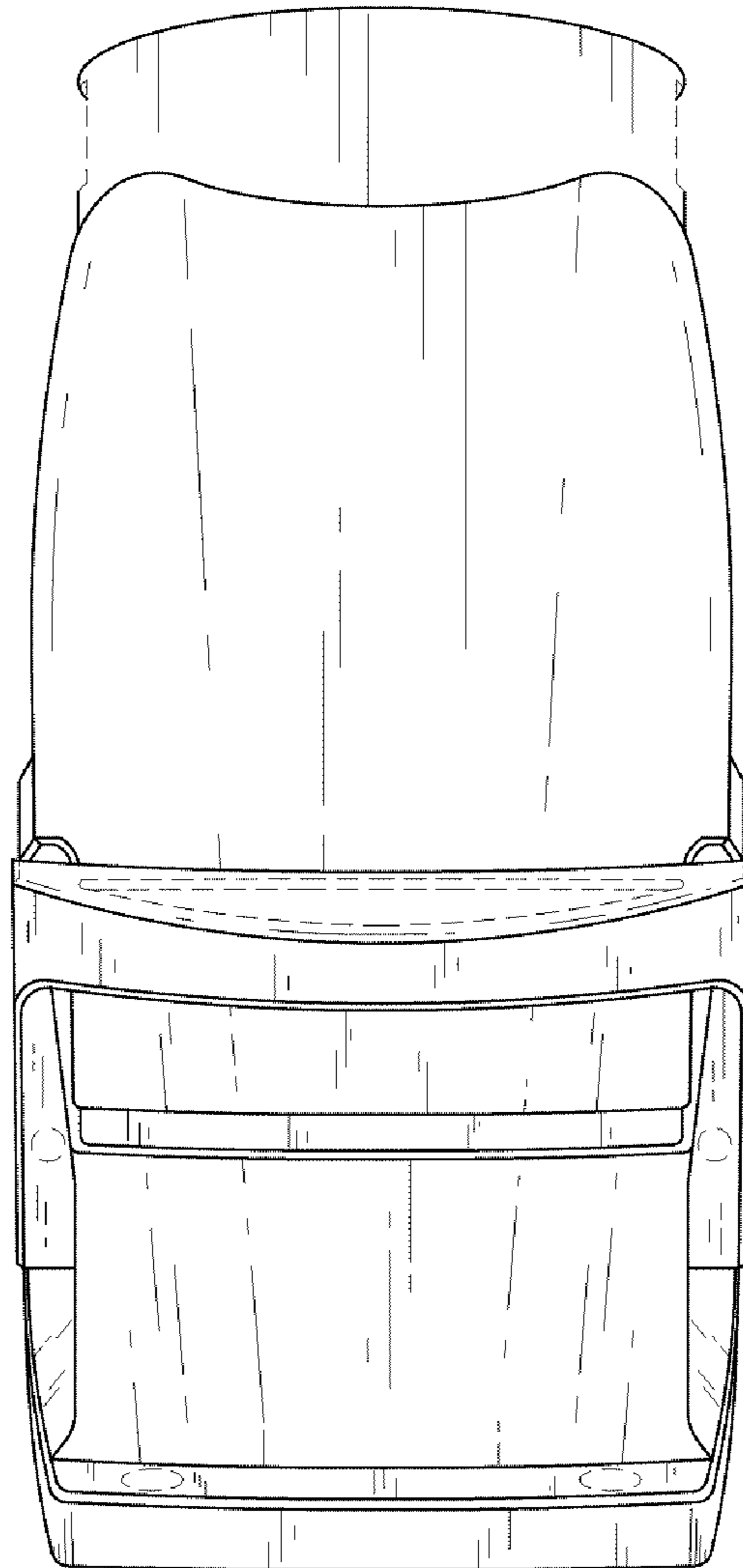
FIG. 6 is a bottom perspective view thereof.

Shading lines shown in the drawings are intended to represent the approximate three-dimensional contour of the design, and are not intended to indicate surface decoration.

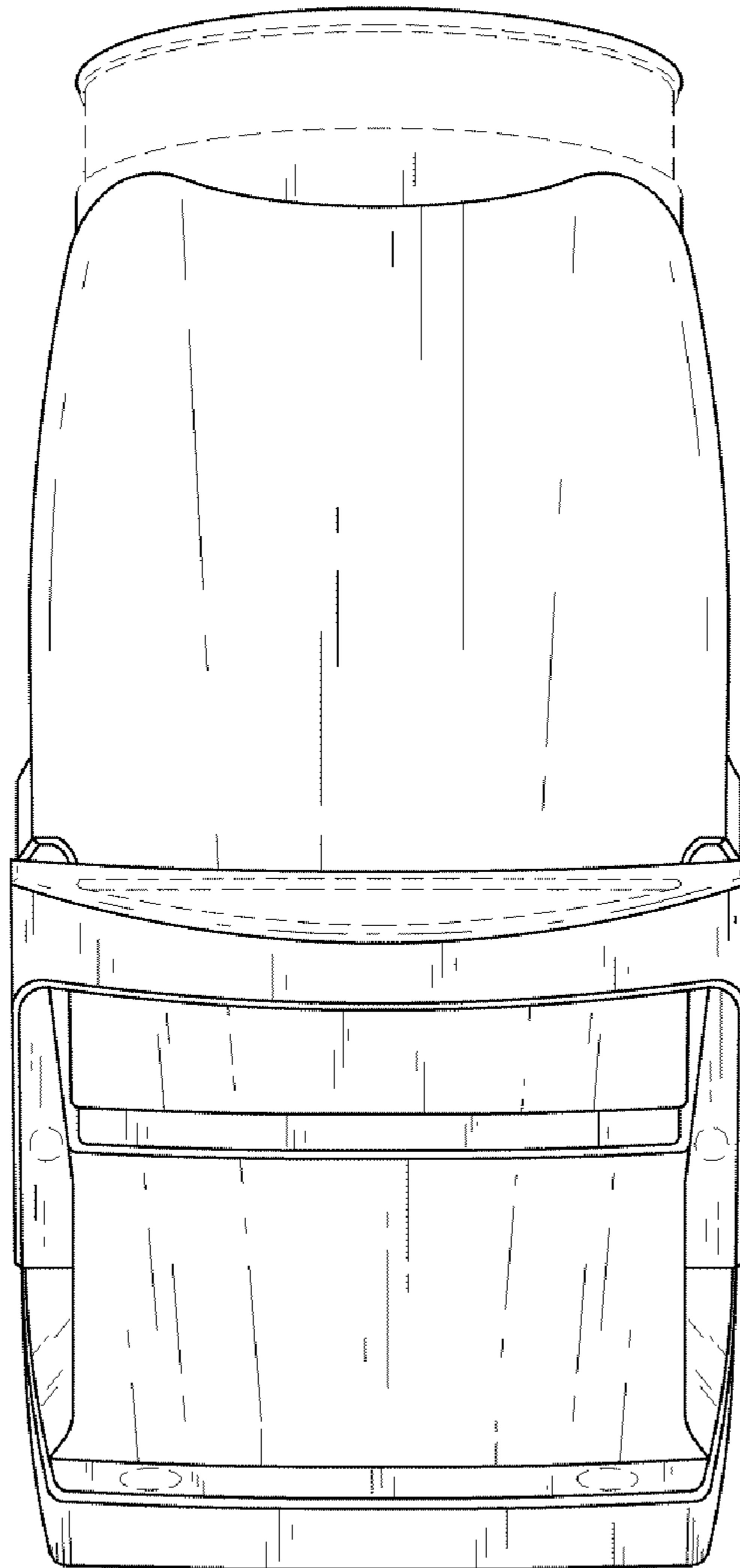
The broken line shown in the figure drawings is included for the purpose of illustrating environment and forms no part of the claimed design.

**1 Claim, 6 Drawing Sheets**

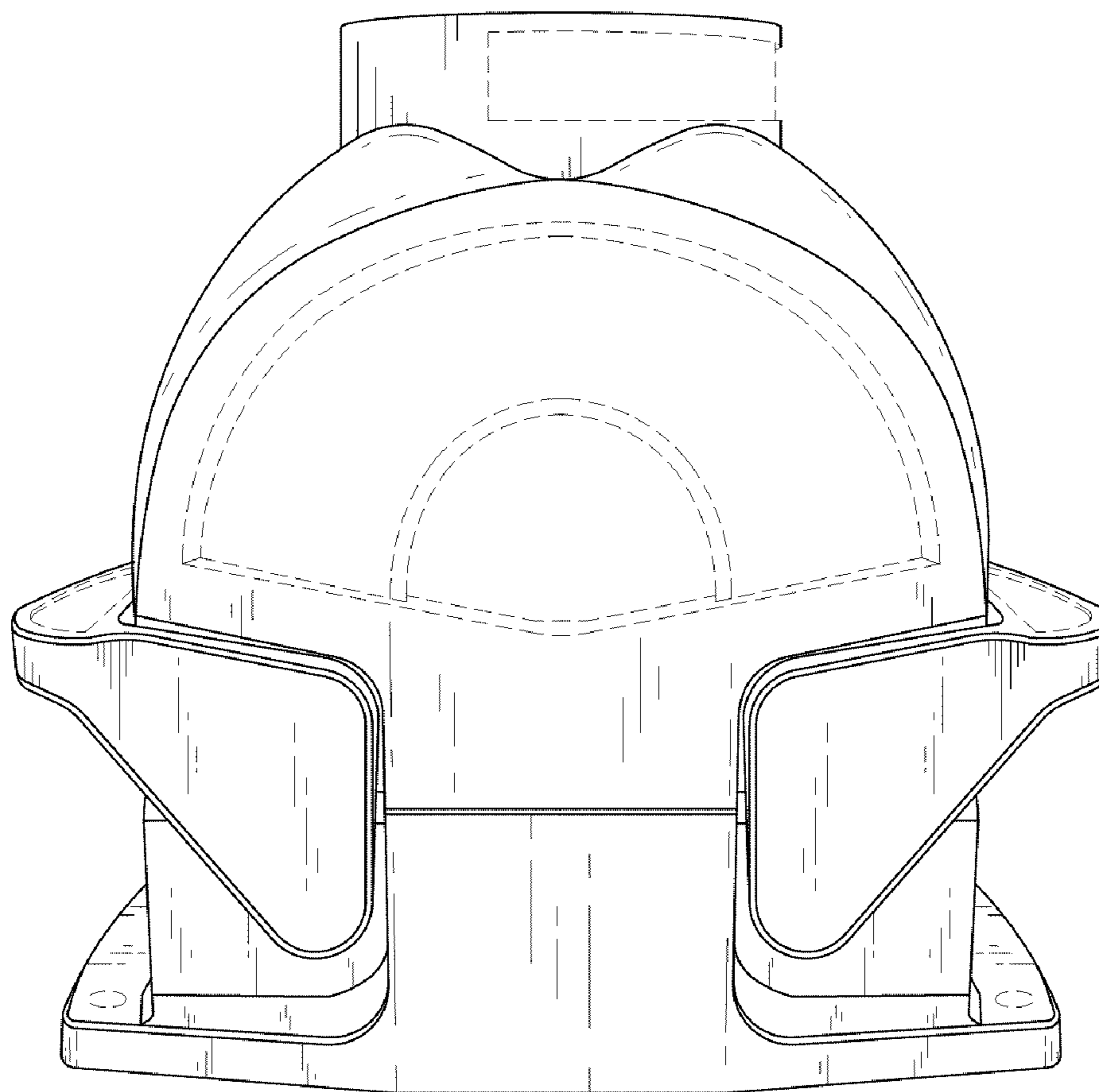




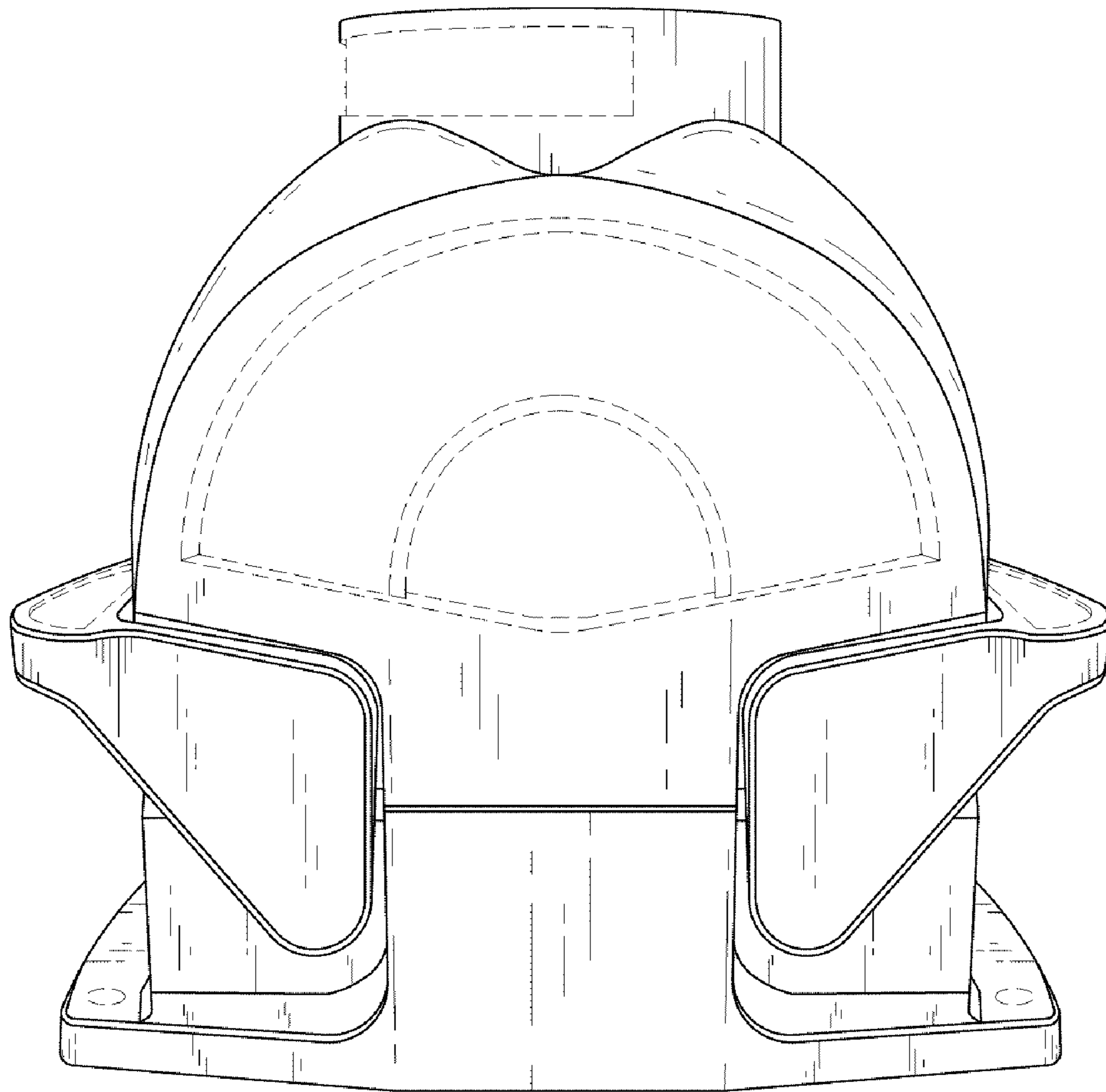
*FIG. 1*



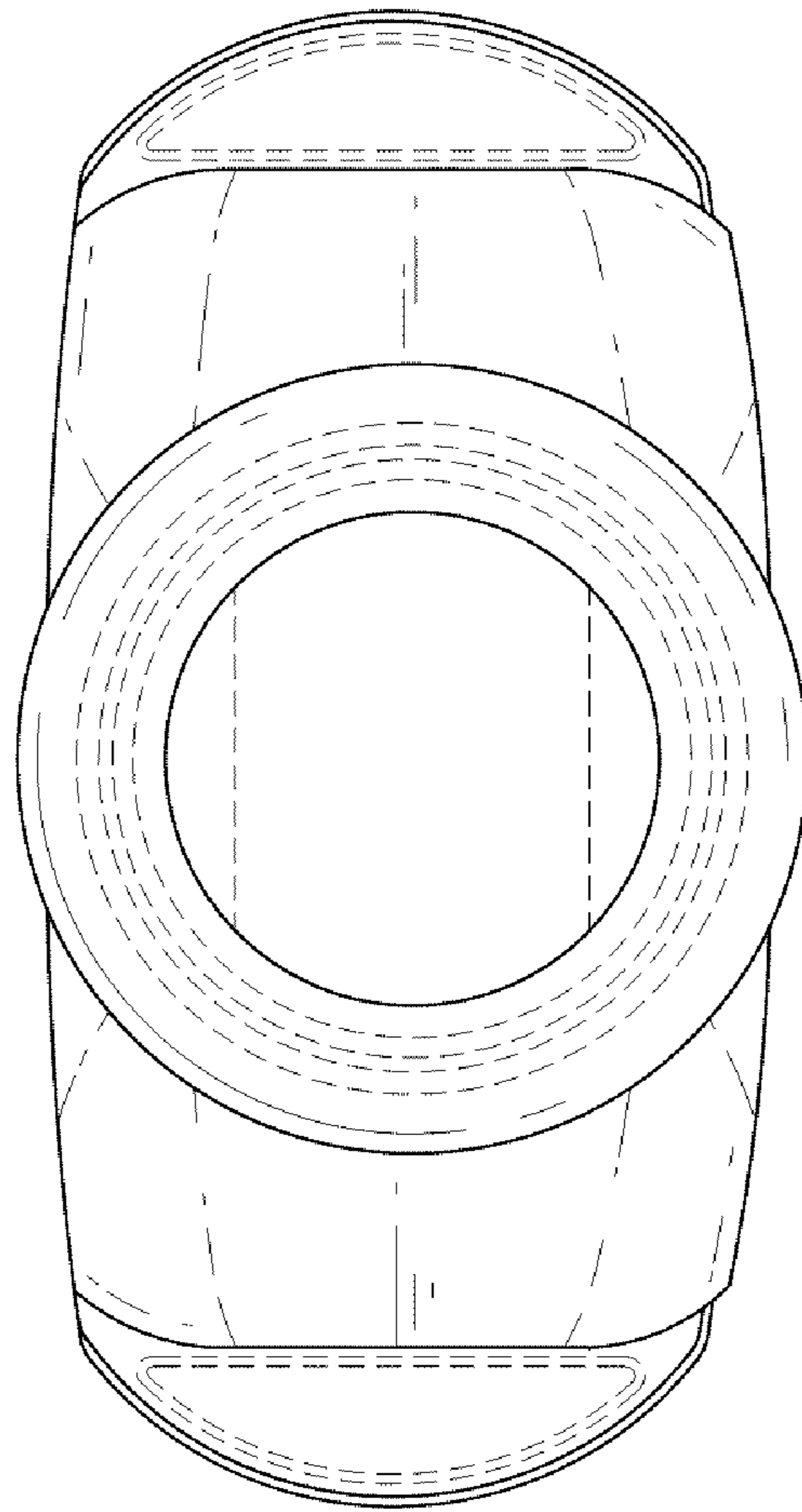
*FIG. 2*



*FIG. 3*

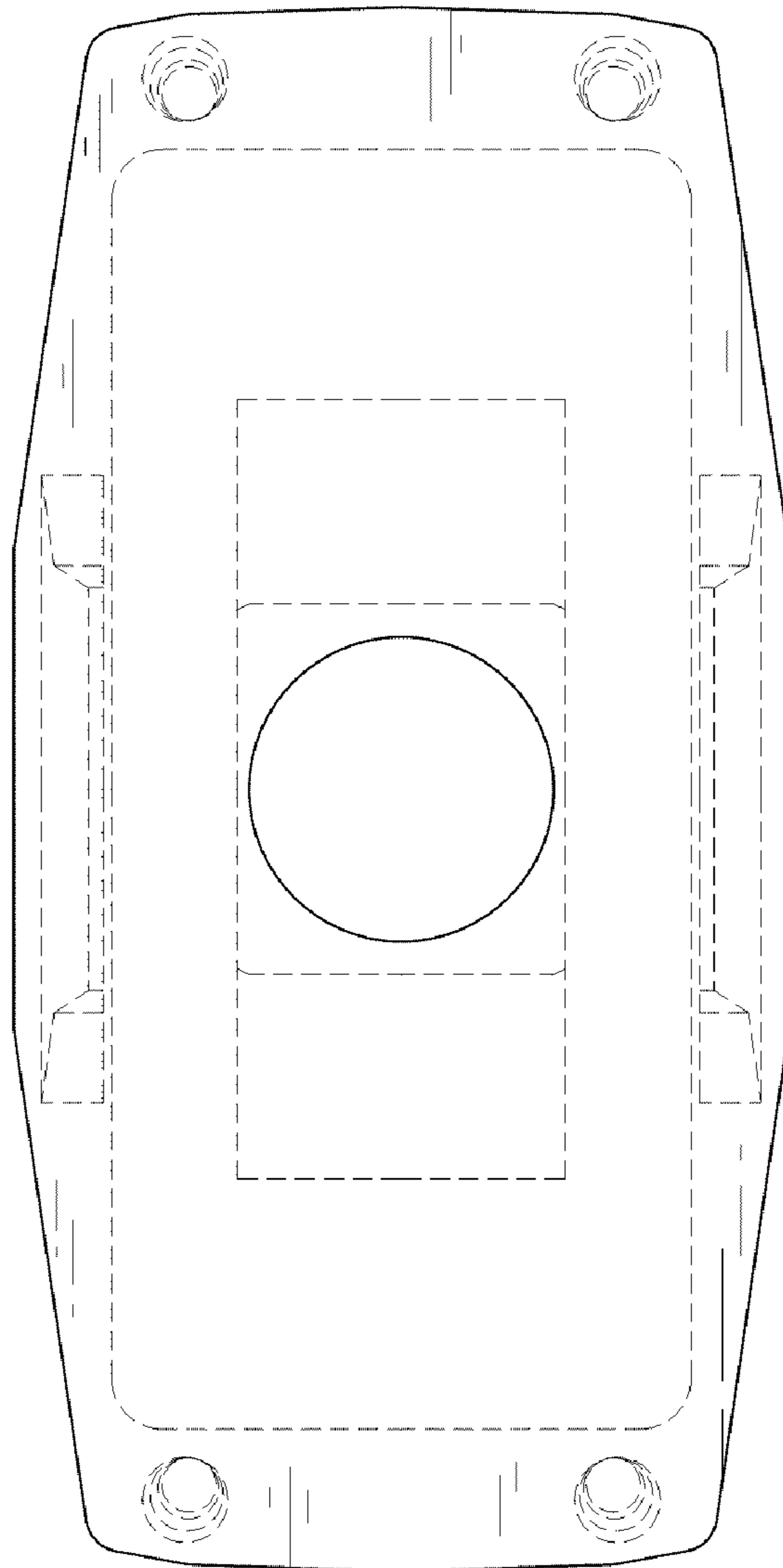


*FIG. 4*



*FIG. 5*





*FIG. 6*