



US00D648272S

(12) **United States Design Patent**
Spilker et al.

(10) **Patent No.:** **US D648,272 S**

(45) **Date of Patent:** **** Nov. 8, 2011**

(54) **CONNECTION SOCKET**

(75) Inventors: **Nicole Spilker**, Lübbecke (DE); **Dieter Riepe**, Lübbecke (DE); **Frank Quast**, Bielefeld (DE); **Andreas Naß**, Warmßen (DE); **Martin Schmidt**, Lübbecke (DE)

(73) Assignee: **Harting Electric GmbH & Co. KG**, Espelkamp (DE)

(**) Term: **14 Years**

(21) Appl. No.: **29/363,872**

(22) Filed: **Jun. 15, 2010**

(30) **Foreign Application Priority Data**

Dec. 16, 2009 (DE) 40 2009 006 192

(51) **LOC (9) Cl.** **13-03**

(52) **U.S. Cl.** **D13/133; D13/156**

(58) **Field of Classification Search** D13/133, D13/154, 156, 184, 199; 439/180, 252, 266, 439/278, 445, 446, 447, 527, 529, 533, 687, 439/892, 894, 901, 907, 908, 954
See application file for complete search history.

(56) **References Cited**

U.S. PATENT DOCUMENTS

3,760,333	A *	9/1973	Stieler	439/271
D320,785	S *	10/1991	Ruttgerodt	D13/168
5,318,457	A *	6/1994	Harting et al.	439/352
6,644,999	B1 *	11/2003	Tan et al.	439/446
D497,880	S *	11/2004	Apotheloz	D13/168
6,969,283	B2 *	11/2005	Schmidt	439/687
D616,821	S *	6/2010	The	D13/133

D624,028	S *	9/2010	Stamate et al.	D13/168
7,938,685	B2 *	5/2011	Zwanger	439/607.55
2004/0152364	A1 *	8/2004	Schmidt	439/687
2005/0079749	A1 *	4/2005	Schmidt et al.	439/275

OTHER PUBLICATIONS

Product Catalogue of Harting Electric GmbH & Co. KG, May 2, 1996, 14 pages.

* cited by examiner

Primary Examiner — Daniel Bui

(74) *Attorney, Agent, or Firm* — Seed IP Law Group

(57) **CLAIM**

The ornamental design for a connection socket, substantially as shown and described.

DESCRIPTION

FIG. 1 is a perspective view of a connection socket, showing our new design.

FIG. 2 is a front elevational view thereof.

FIG. 3 is a rear elevational view thereof.

FIG. 4 is a left side perspective view thereof.

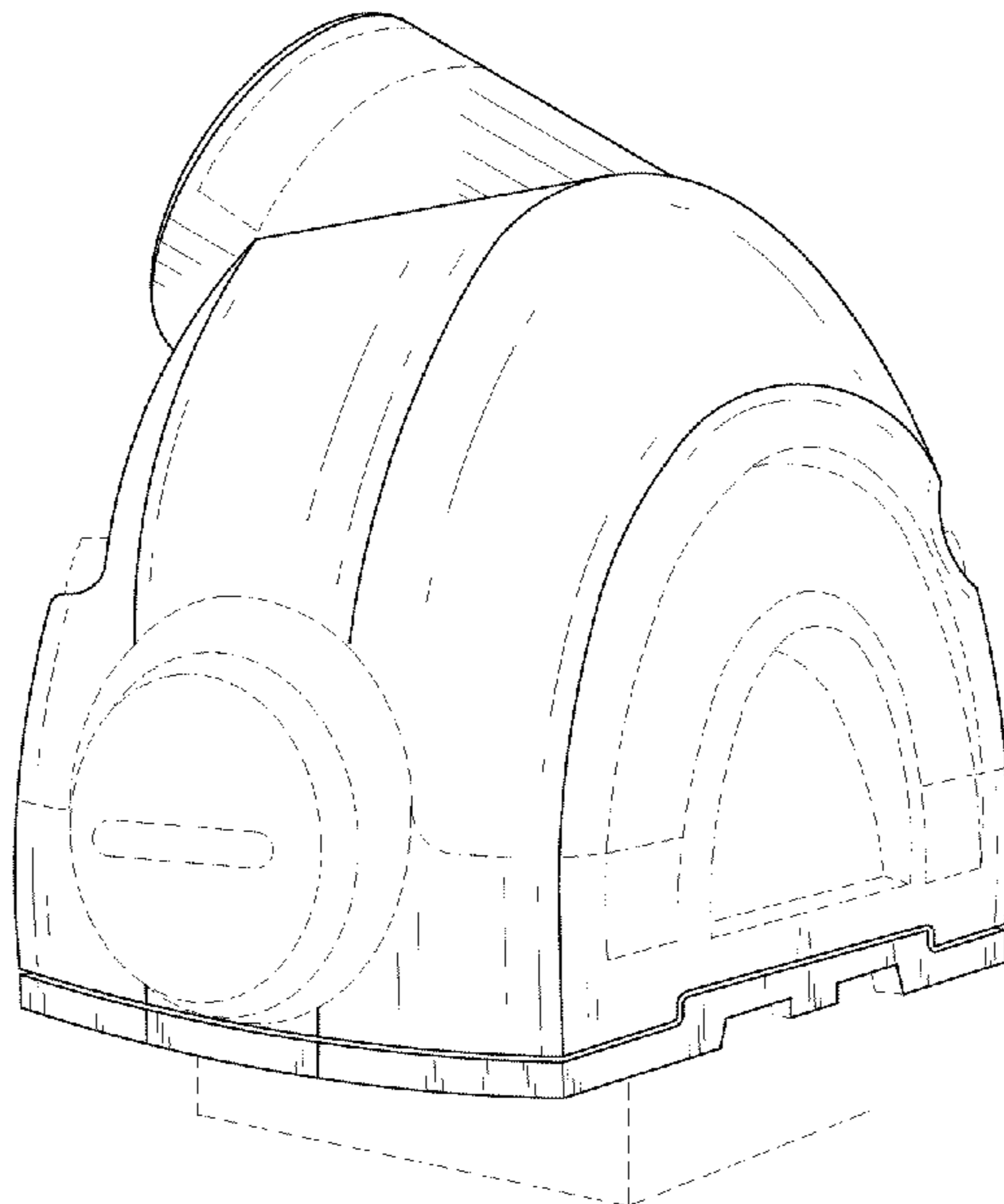
FIG. 5 is a right side perspective view thereof.

FIG. 6 is a top plan view thereof; and,

FIG. 7 is a bottom plan view thereof.

Shading lines shown in the drawings are intended to represent the approximate three-dimensional contour of the design, and are not intended to indicate surface decoration. The broken line shown in the figure drawings is included for the purpose of illustrating environment and forms no part of the claimed design.

1 Claim, 7 Drawing Sheets



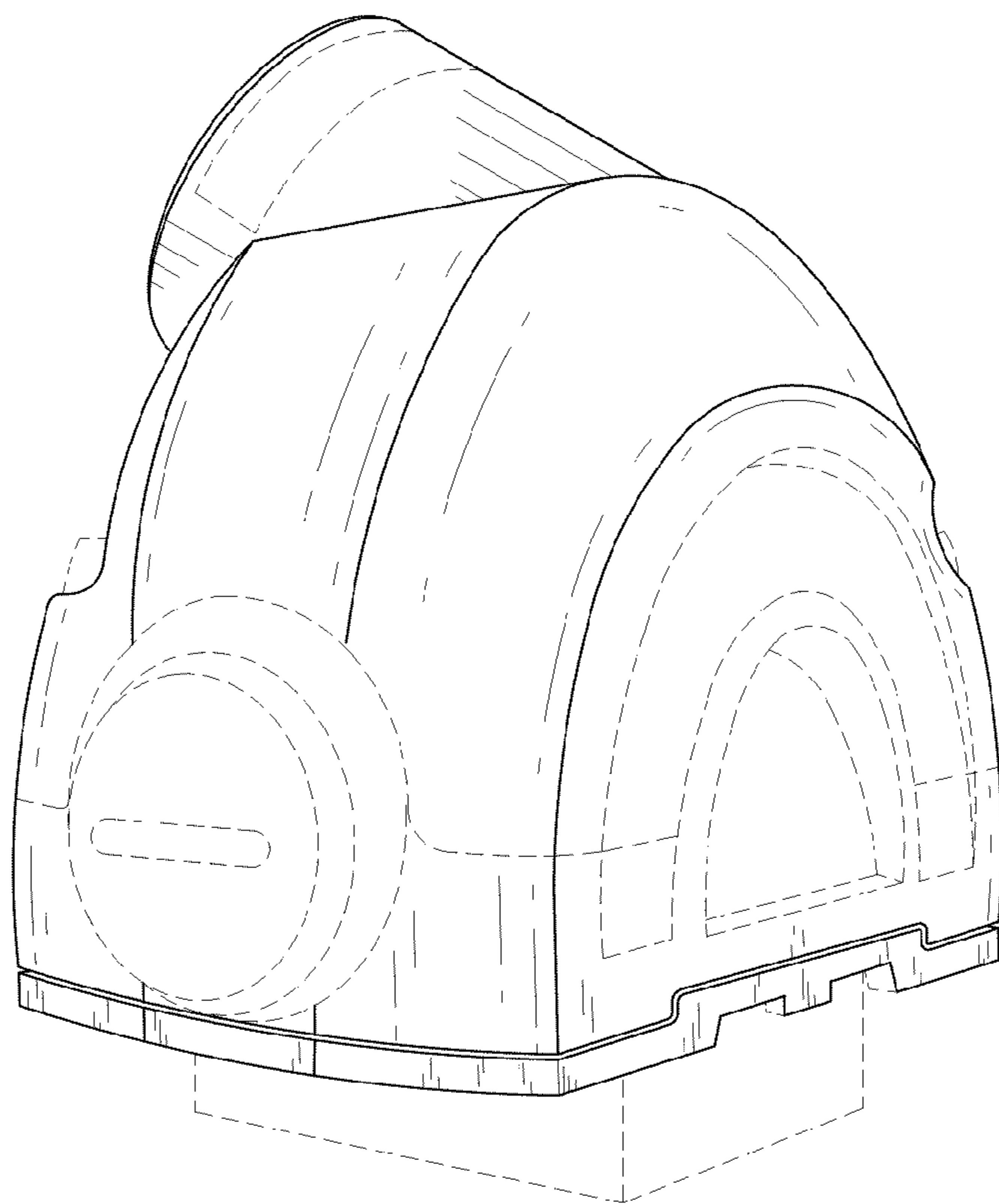


FIG. 1

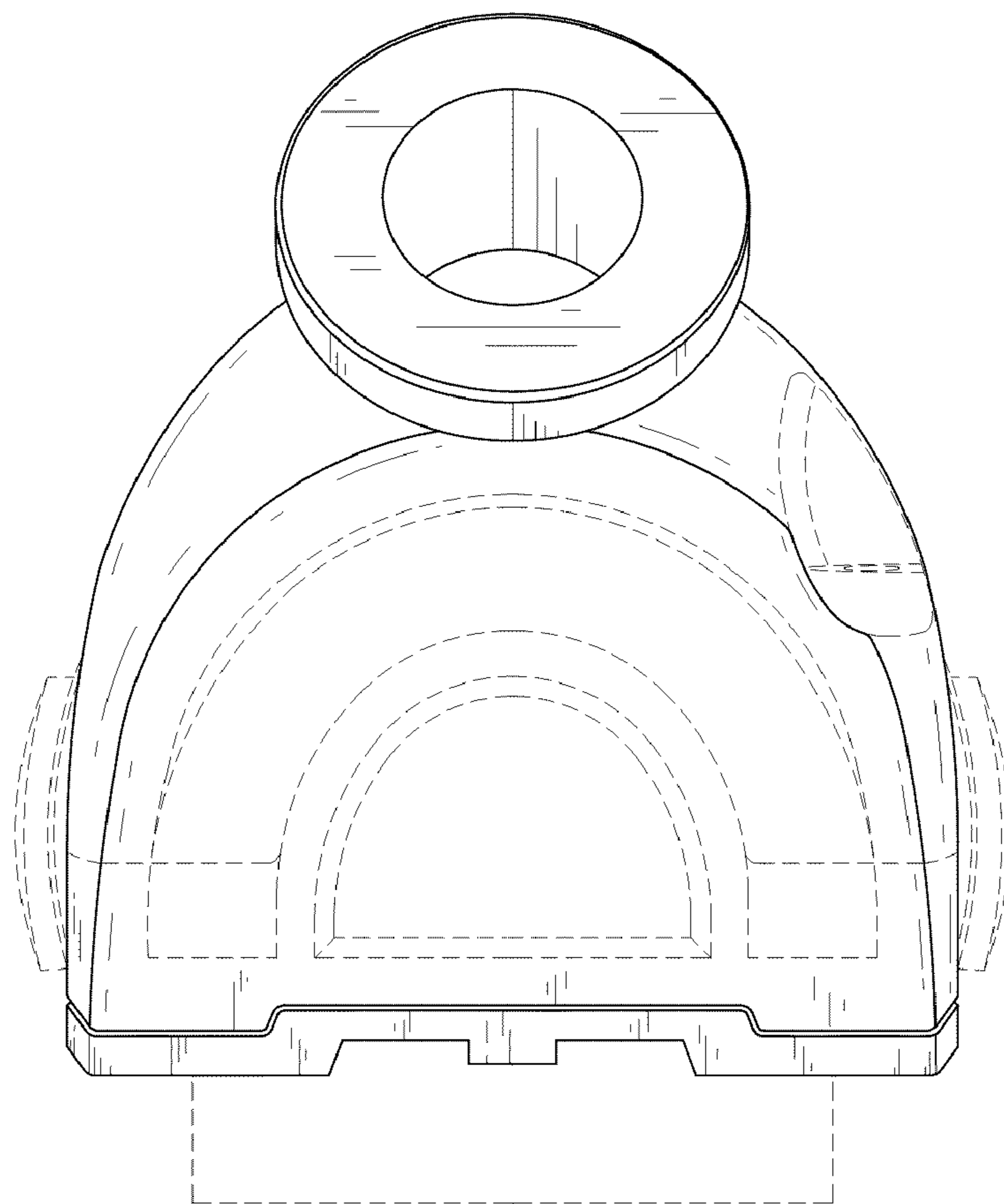


FIG. 2

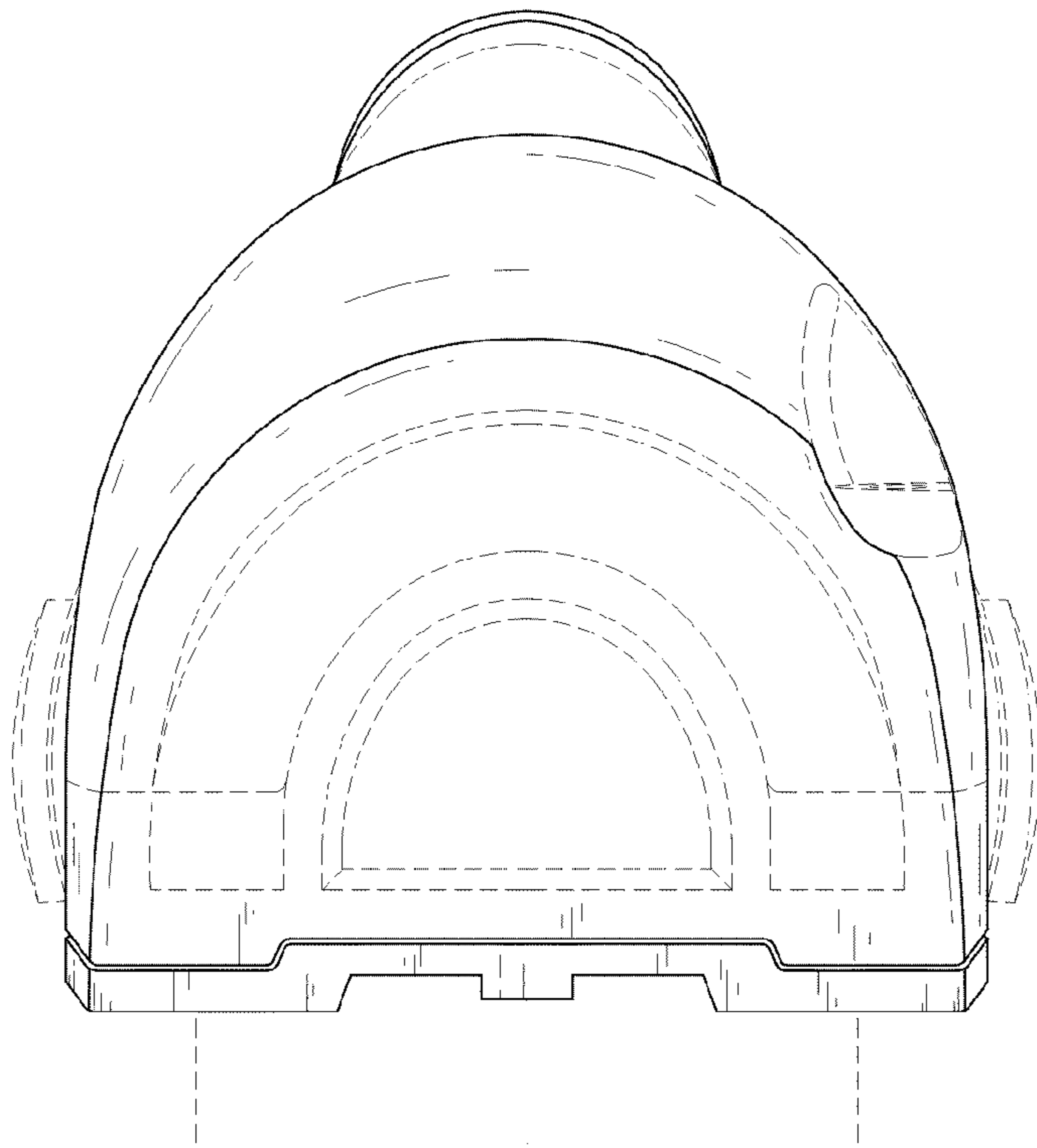


FIG. 3

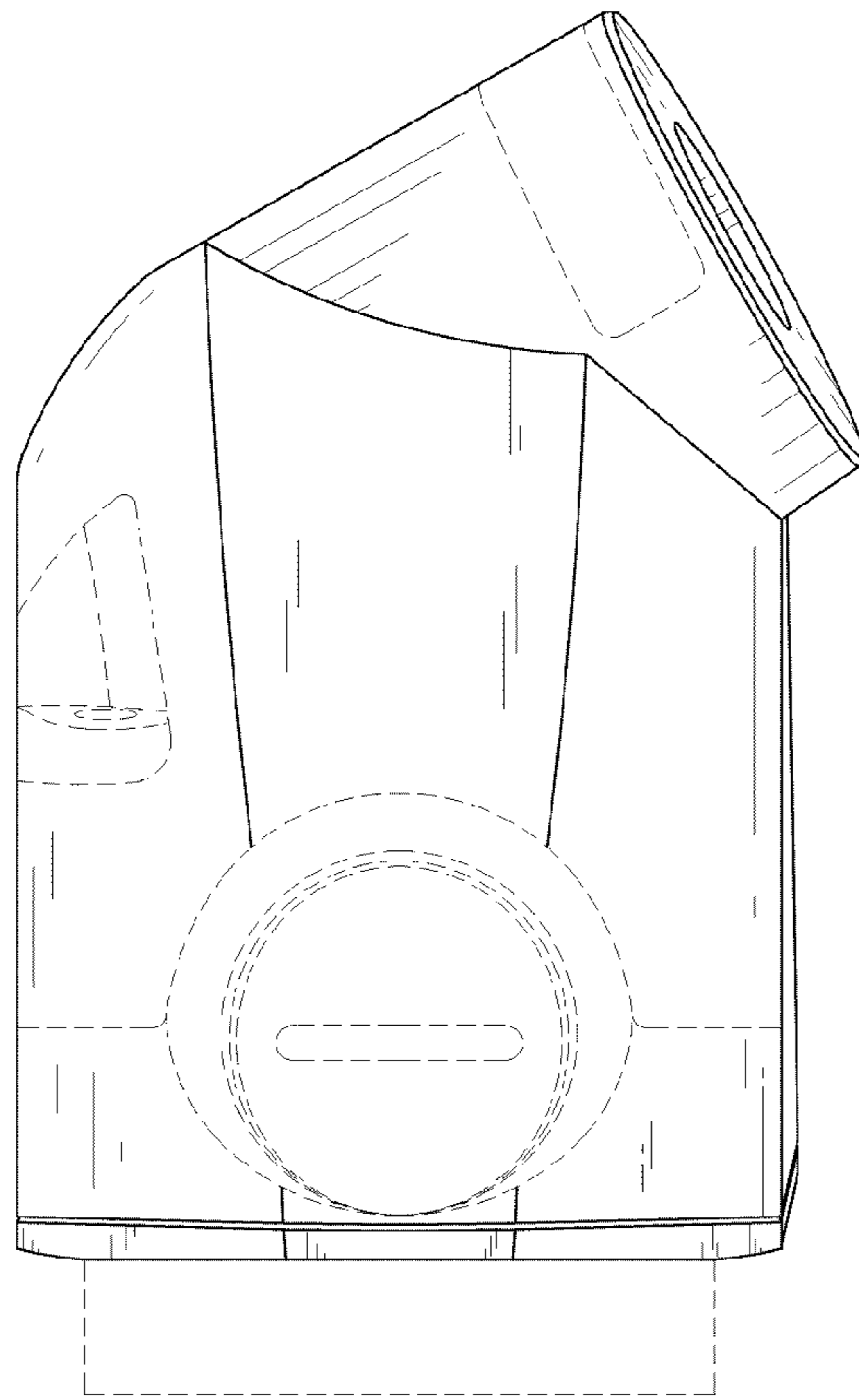


FIG. 4

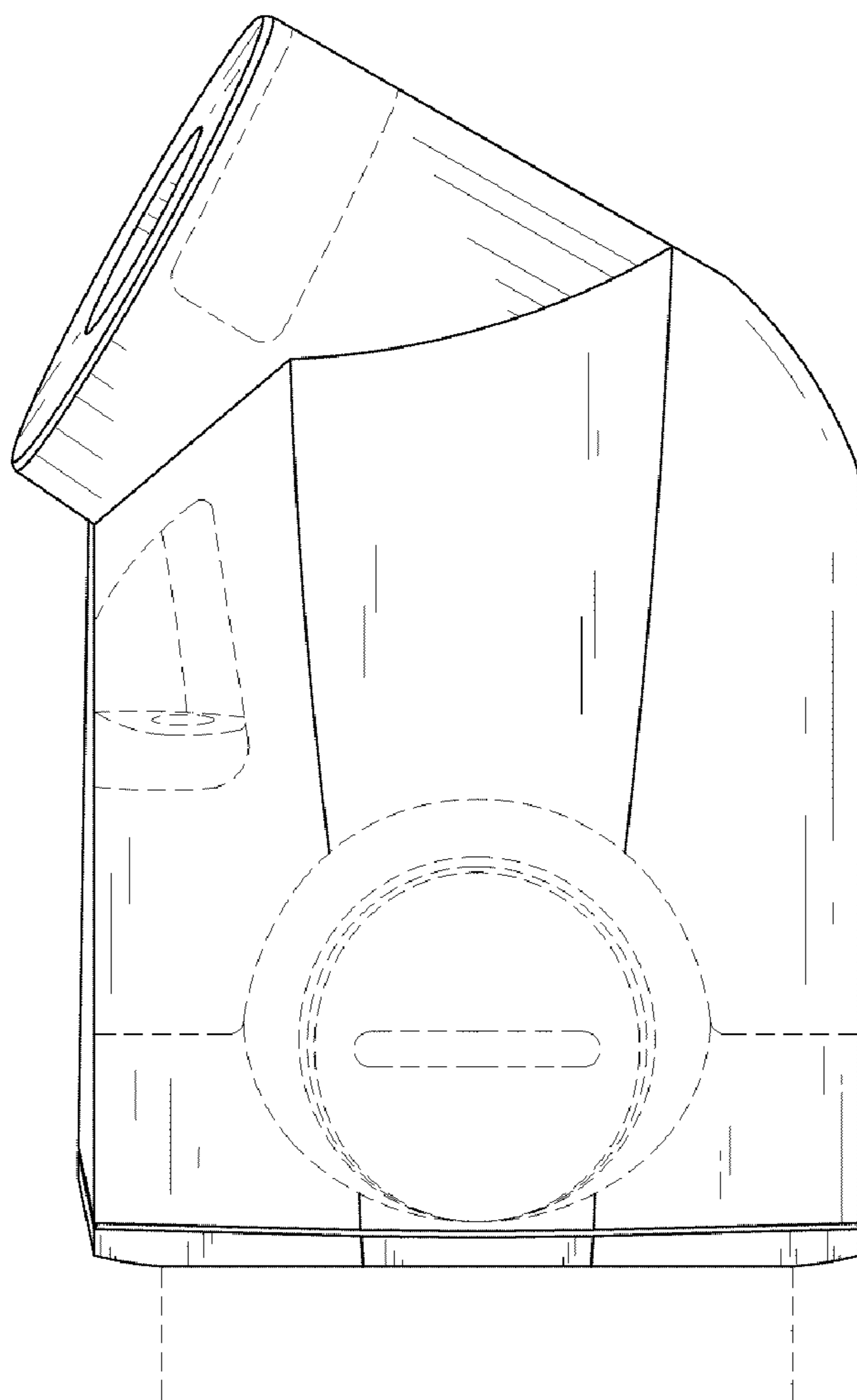


FIG. 5

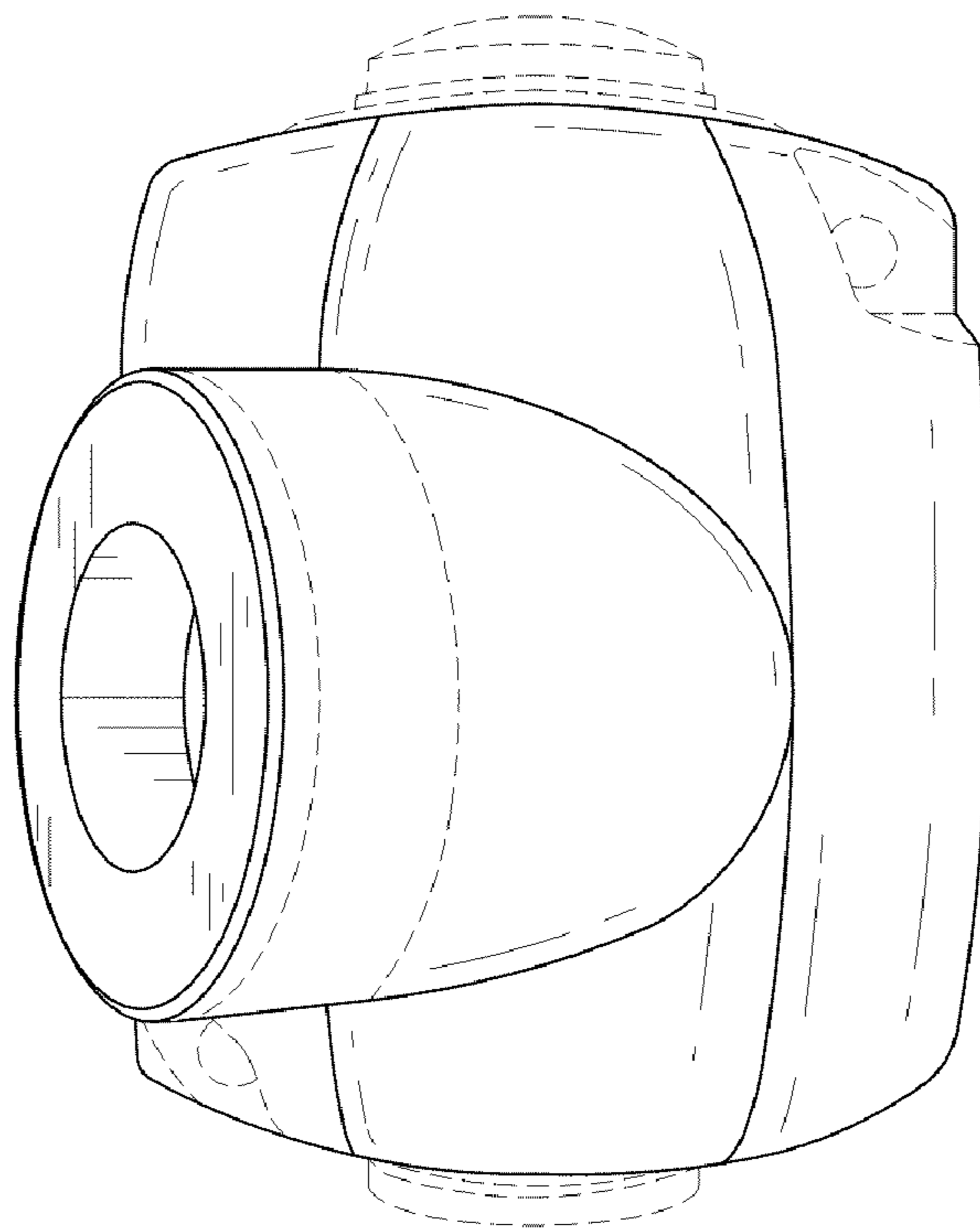


FIG. 6

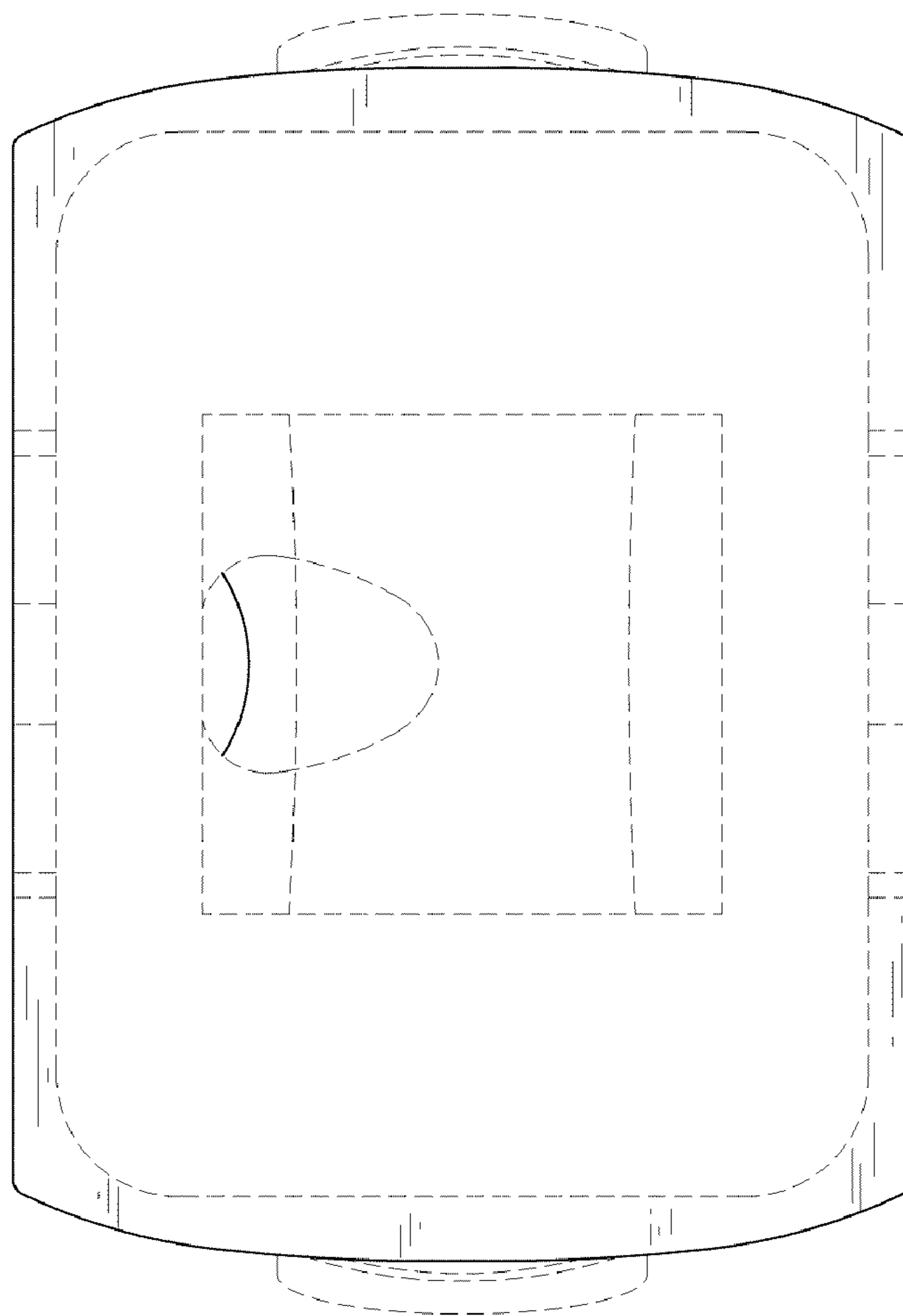


FIG. 7