



US00D648264S

(12) **United States Design Patent**  
**Le et al.**

(10) **Patent No.:** **US D648,264 S**  
(45) **Date of Patent:** **\*\* Nov. 8, 2011**

(54) **TIRE**

(75) Inventors: **Phuoc Thuan Le**, Attert (BE); **Francois Pierre Charles Gerard Georges**, Stavelot (BE); **Didier Winkin**, Bastogne (BE); **Jean-Marie Feller**, Messancy (BE); **Lothar Braun**, Bollendorf (DE)

(73) Assignee: **The Goodyear Tire & Rubber Company**, Akron, OH (US)

(\*\*) Term: **14 Years**

(21) Appl. No.: **29/397,598**

(22) Filed: **Jul. 19, 2011**

(51) **LOC (9) Cl.** ..... **12-15**

(52) **U.S. Cl.** ..... **D12/588**

(58) **Field of Classification Search** ..... D12/568-603,  
D12/900-901, 551-556; 152/209.1-209.28,  
152/455

See application file for complete search history.

(56) **References Cited**

**U.S. PATENT DOCUMENTS**

D383,712 S	9/1997	Scheuren et al.	.....	D12/143
D384,613 S	10/1997	Le et al.	.....	D12/146
D392,605 S	3/1998	Le et al.	.....	D12/146
D397,648 S	* 9/1998	Allen et al.	.....	D12/588
D403,281 S	12/1998	Allen et al.	.....	D12/147
D448,709 S	10/2001	Le	.....	D12/147
D458,215 S	6/2002	Le	.....	D12/600
D461,162 S	8/2002	Young et al.	.....	D12/595
D464,614 S	* 10/2002	Irimiya	.....	D12/588
D473,843 S	4/2003	Le et al.	.....	D12/600
D500,288 S	12/2004	Maziarka et al.	.....	D12/601
D502,444 S	* 3/2005	Wage	.....	D12/588
D528,500 S	9/2006	Le et al.	.....	D12/600
D533,498 S	12/2006	Scheuren et al.	.....	D12/588
D554,053 S	* 10/2007	Feider et al.	.....	D12/588
D554,055 S	10/2007	Beauguitte et al.	.....	D12/600
D555,081 S	* 11/2007	Feider et al.	.....	D12/588
D556,125 S	11/2007	Blackiston et al.	.....	D12/598
D584,217 S	1/2009	Scheuren et al.	.....	D12/549

D588,984 S	* 3/2009	Lee	.....	D12/588
D591,224 S	* 4/2009	Ludwig et al.	.....	D12/588
D601,950 S	* 10/2009	Pressley et al.	.....	D12/588
D609,169 S	2/2010	Feider	.....	D12/588
D609,170 S	* 2/2010	Feider et al.	.....	D12/588
D626,501 S	11/2010	Cazin-Bourguignon et al.	.....	D12/600
D627,707 S	11/2010	Le et al.	.....	D12/566
D627,713 S	11/2010	Le et al.	.....	D12/600
D628,955 S	12/2010	Toumni et al.	.....	D12/588
D635,915 S	* 4/2011	Hamada	.....	D12/588
D635,916 S	* 4/2011	Krier	.....	D12/588
D640,969 S	* 7/2011	Scheuren et al.	.....	D12/588

\* cited by examiner

*Primary Examiner* — Stacia Cadmus

(74) *Attorney, Agent, or Firm* — Richard B. O'Planick

(57) **CLAIM**

The ornamental design for a tire, as shown and described.

**DESCRIPTION**

FIG. 1 is a perspective view of a tire showing our new design, it being understood that the pattern repeats uniformly throughout the circumference of the tread;

FIG. 2 is a front elevational view thereof;

FIG. 3 is a right side elevational view thereof; the opposite side elevational view being identical thereto;

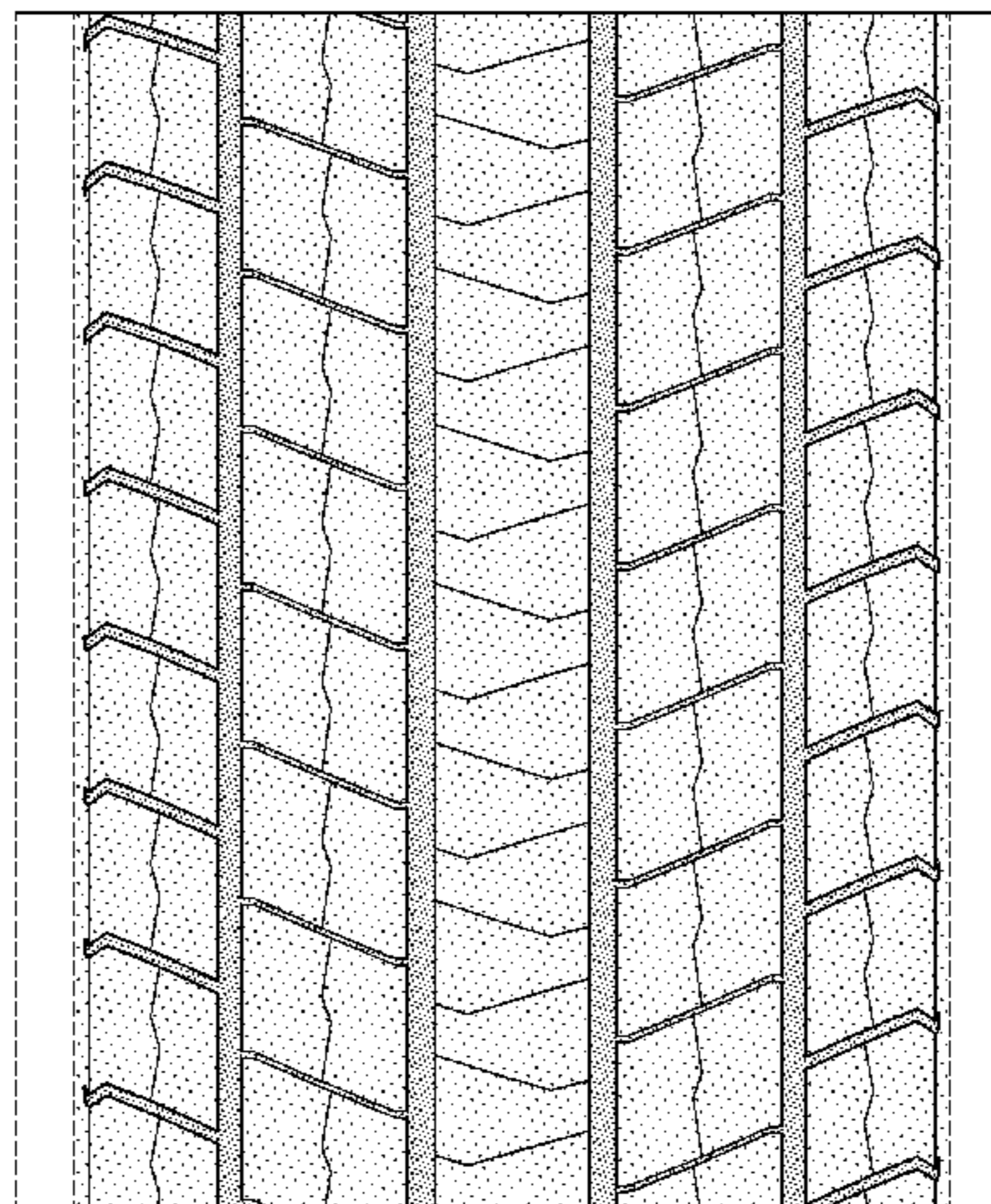
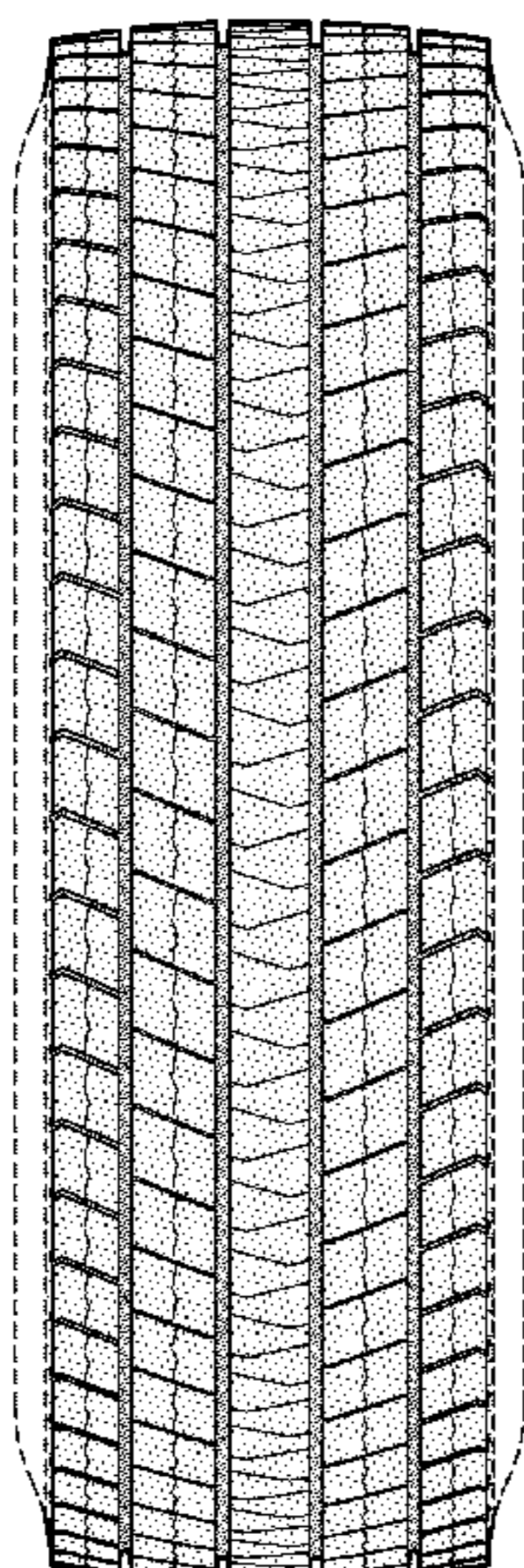
FIG. 4 is an enlarged fragmentary front elevational view thereof;

FIG. 5 is a perspective view of a second embodiment of a tire showing our new design, it being understood that the pattern repeats uniformly throughout the circumference of the tread and that the opposite side view is identical thereto; and,

FIG. 6 is a front elevational view of a second embodiment, it being understood that an enlarged fragmentary view thereof would be substantially identical to that shown in FIG. 4, with the exception of the inclusion of the sidewall in solid lines.

In the drawings, the broken lines showing of the sidewall, inner bead and the peripheral boundary between the tire tread and the sidewall in FIGS. 1 through 4 depict environmental subject matter and form no part of the claimed design.

**1 Claim, 6 Drawing Sheets**



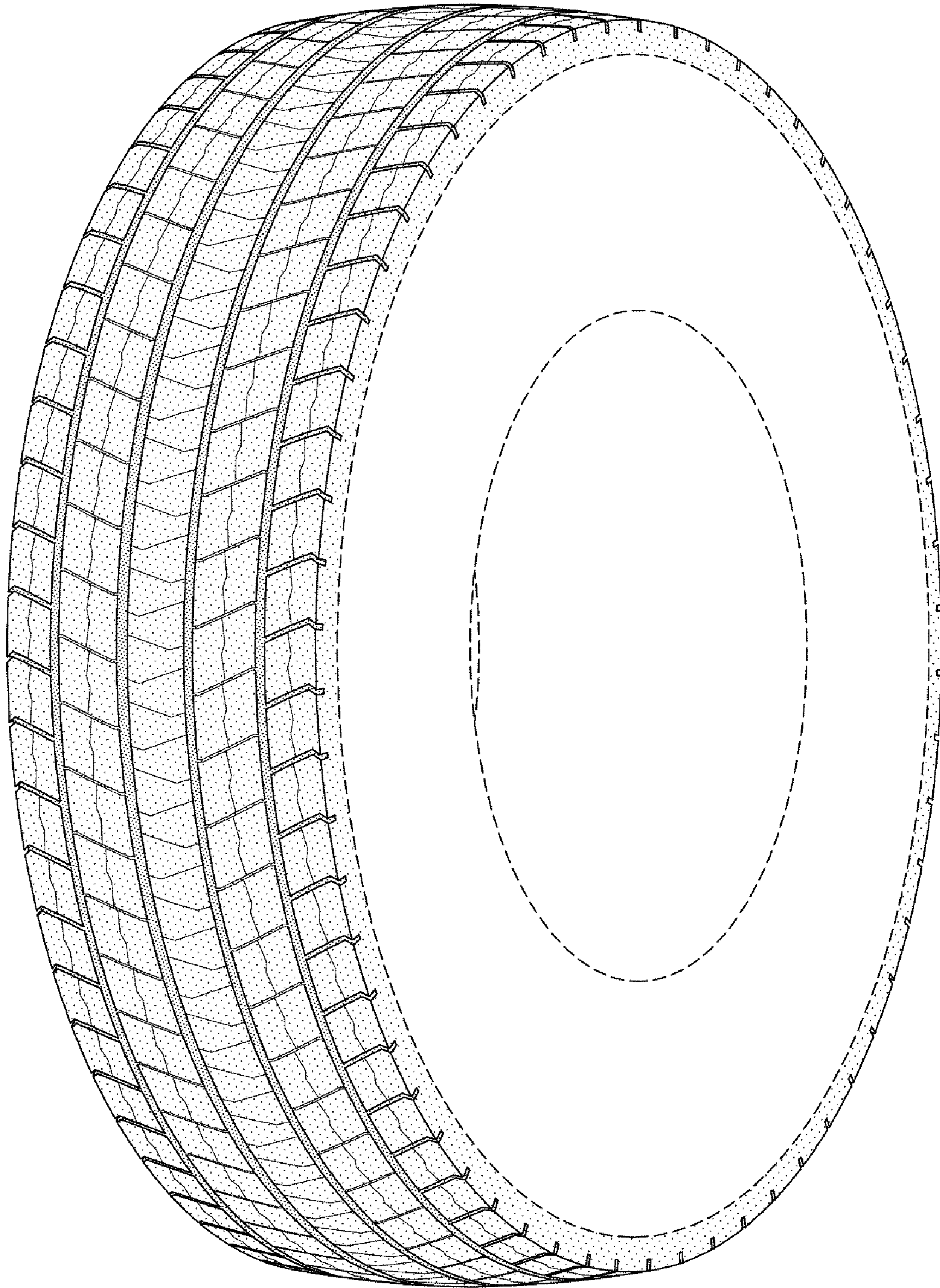


FIG-1

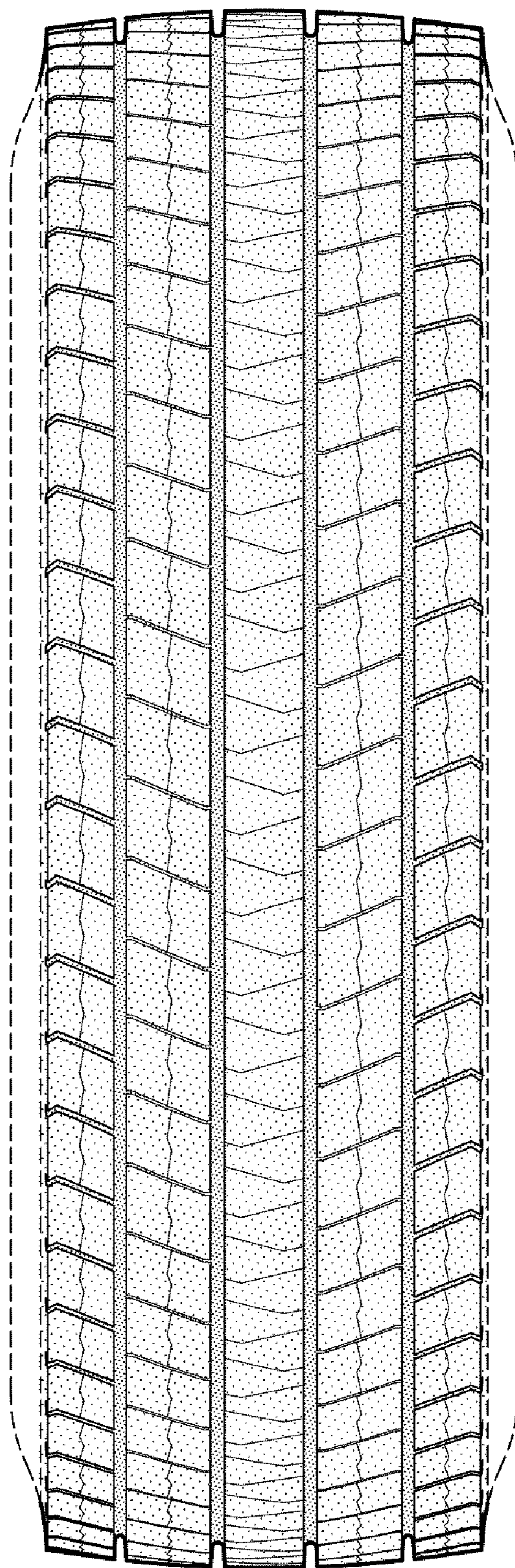


FIG-2

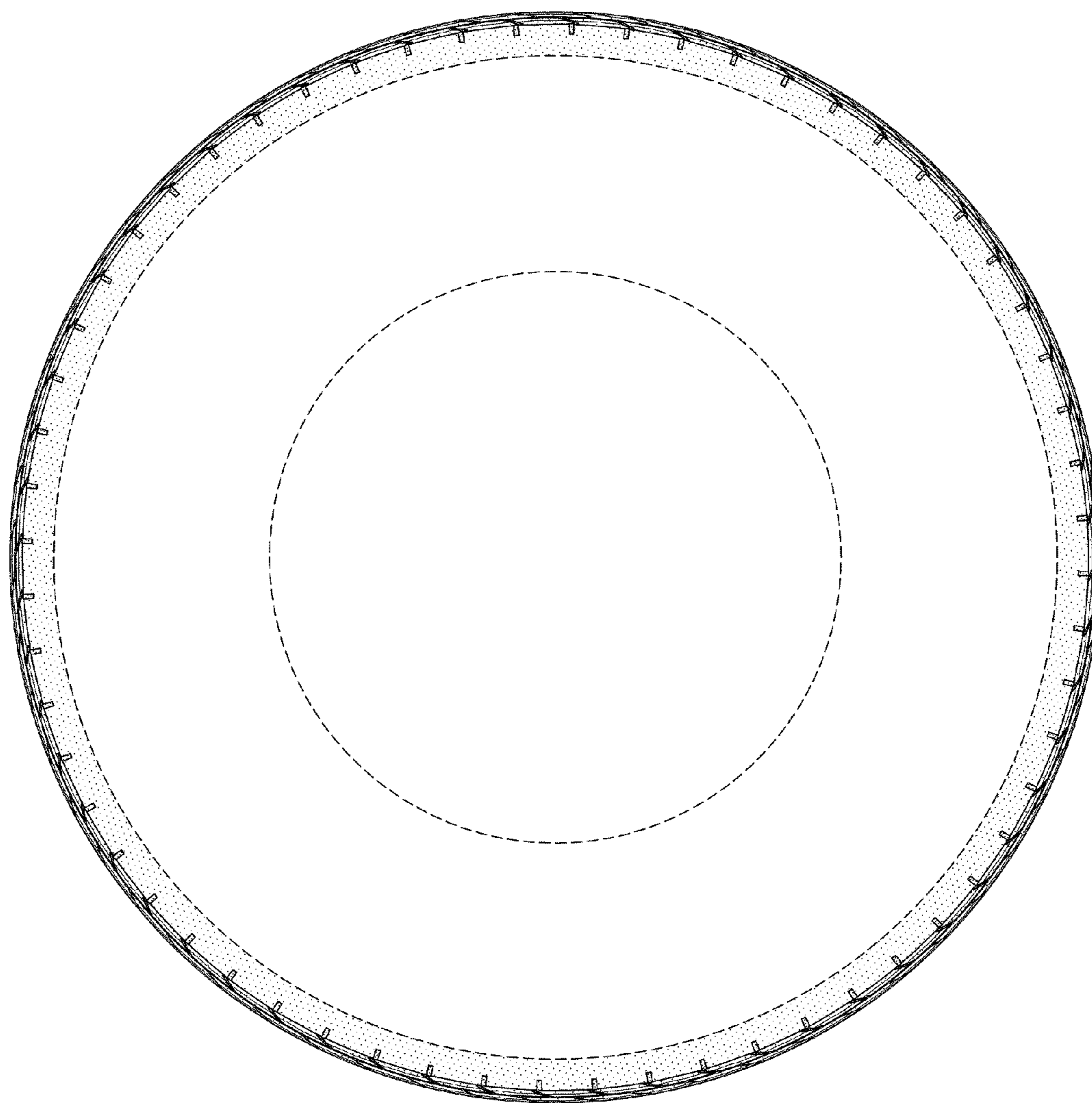


FIG-3

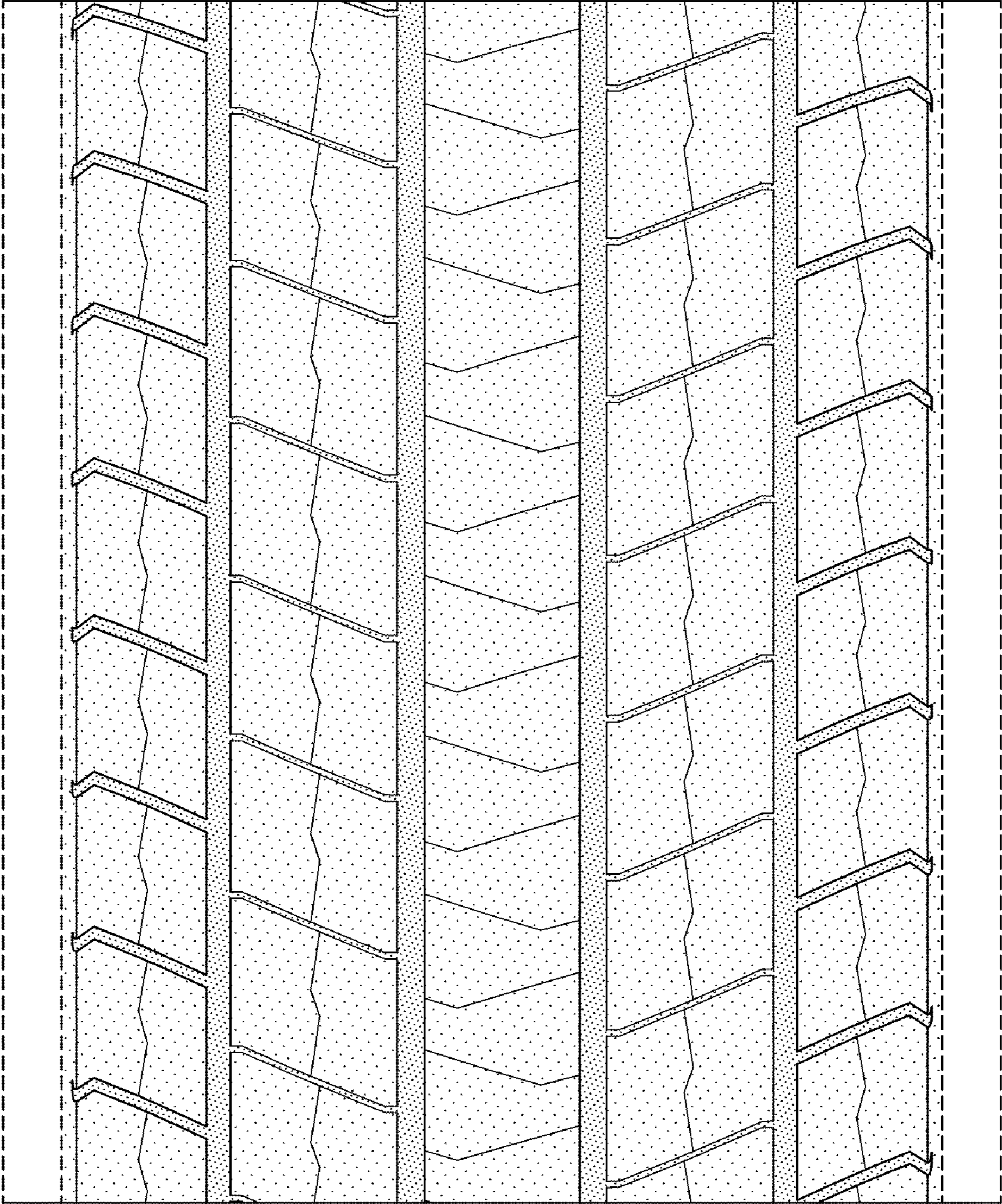


FIG-4

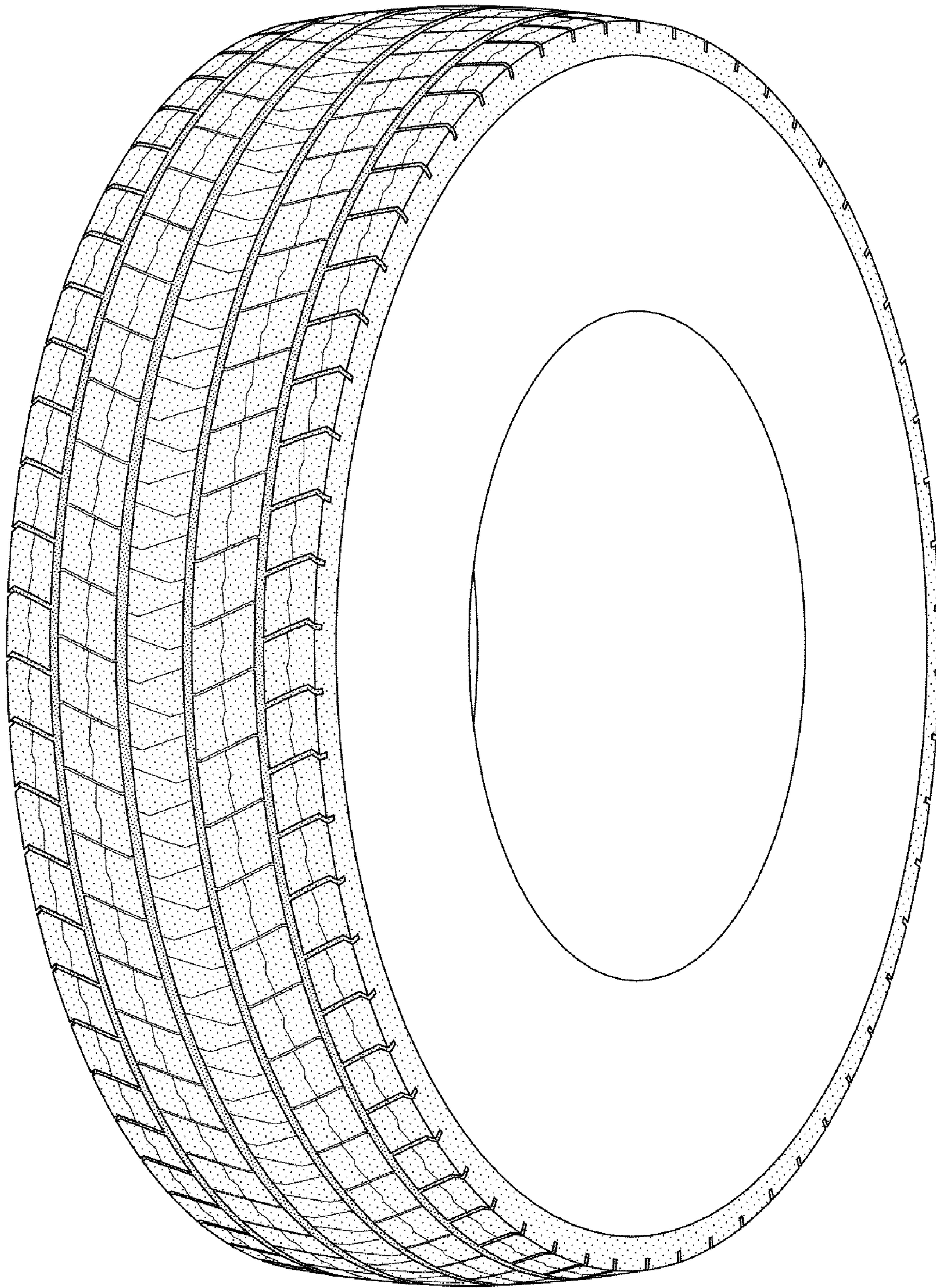


FIG-5

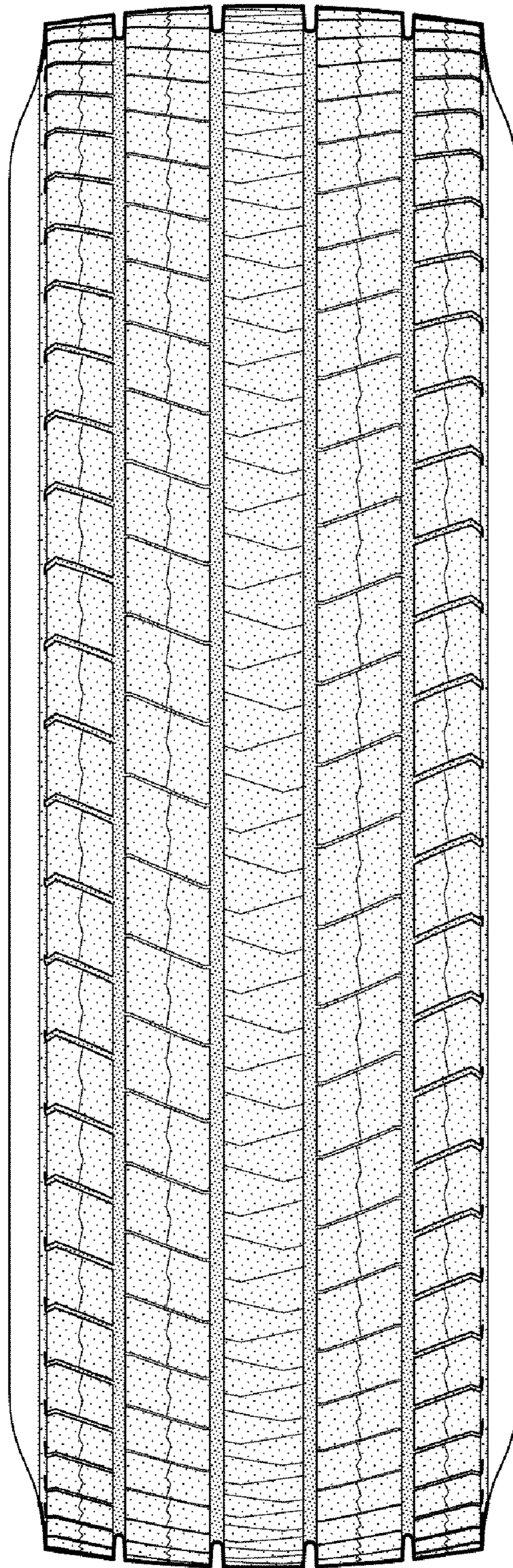


FIG-6