



US00D648263S

(12) **United States Design Patent**
Takei

(10) **Patent No.:** **US D648,263 S**
(45) **Date of Patent:** **** Nov. 8, 2011**

(54) **TREAD PORTION OF AN AUTOMOBILE TIRE**

(75) Inventor: **Ataka Takei**, Tokyo (JP)

(73) Assignee: **Bridgestone Corporation**, Tokyo (JP)

(**) Term: **14 Years**

(21) Appl. No.: **29/368,250**

(22) Filed: **Aug. 20, 2010**

(30) **Foreign Application Priority Data**

Feb. 23, 2010 (JP) 2010-004187

(51) **LOC (9) Cl.** **12-15**

(52) **U.S. Cl.** **D12/585**

(58) **Field of Classification Search** D12/568-603,
D12/900-901, 547-550; 152/209.1-209.28,
152/455

See application file for complete search history.

(56) **References Cited**

U.S. PATENT DOCUMENTS

D349,672 S *	8/1994	Seimiya et al.	D12/585
D349,673 S *	8/1994	Seimiya et al.	D12/585
D369,766 S *	5/1996	Wakamatsu et al.	D12/585
D383,422 S *	9/1997	Kunos et al.	D12/585
D384,614 S *	10/1997	Hanlon et al.	D12/585
D392,226 S *	3/1998	Howald et al.	D12/585
D394,622 S *	5/1998	Guspodin et al.	D12/585
D405,401 S *	2/1999	Ikeda	D12/585
D412,144 S *	7/1999	Demagall et al.	D12/585

D412,470 S *	8/1999	Downey	D12/585
D423,424 S *	4/2000	Ikeda	D12/585
D450,271 S *	11/2001	Wallet et al.	D12/585
D451,862 S *	12/2001	Graas et al.	D12/585
D470,102 S *	2/2003	Shirouzu	D12/585
D481,991 S *	11/2003	Graas et al.	D12/585
D547,717 S *	7/2007	Yamane et al.	D12/585
D578,471 S *	10/2008	Guspodin et al.	D12/585
D581,350 S *	11/2008	Froger	D12/585
D583,307 S *	12/2008	Heinen et al.	D12/585
D596,110 S *	7/2009	Smith	D12/585
D613,678 S *	4/2010	Nakamura et al.	D12/585

* cited by examiner

Primary Examiner — Stacia Cadmus

(74) *Attorney, Agent, or Firm* — Sughrue Mion, PLLC

(57) **CLAIM**

The ornamental design for a tread portion of an automobile tire, as shown and described.

DESCRIPTION

FIG. 1 is a front view of a tread portion of an automobile tire; FIG. 2 is a perspective view thereof; FIG. 3 is a left side view thereof; FIG. 4 is a fragmentary enlarged view showing the details of the tread portion thereof; and, FIG. 5 is an end view taken along line 5-5 in FIG. 4. In the drawings, the broken lines defining the sidewall and the inner bead of the tire depict environmental subject matter that forms no part of the claimed design.

1 Claim, 5 Drawing Sheets

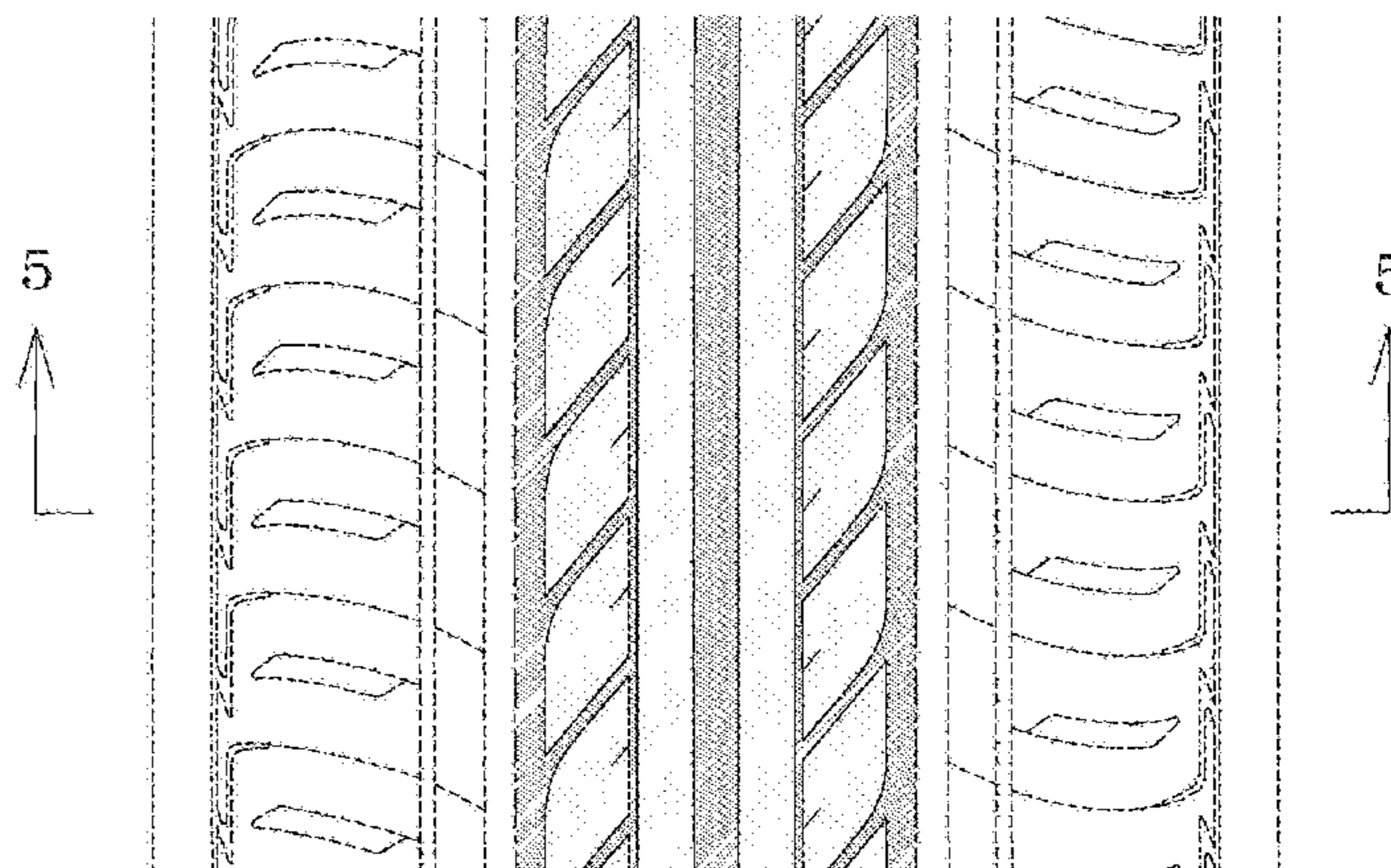
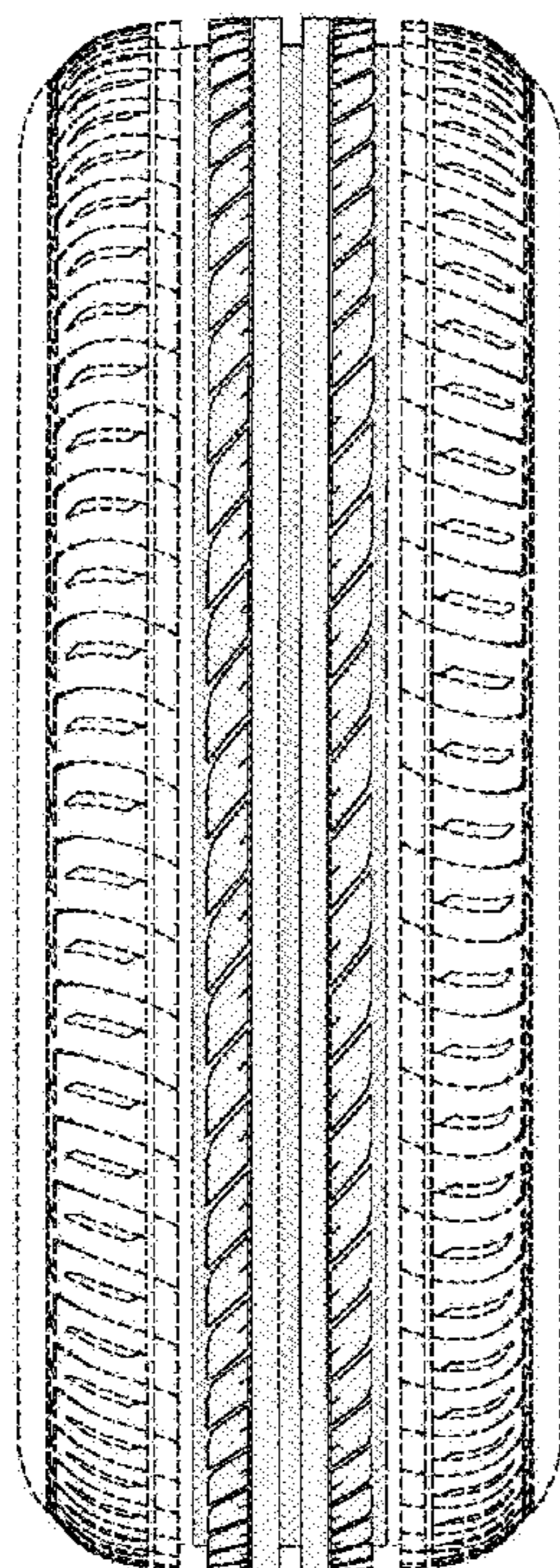


FIG. 1

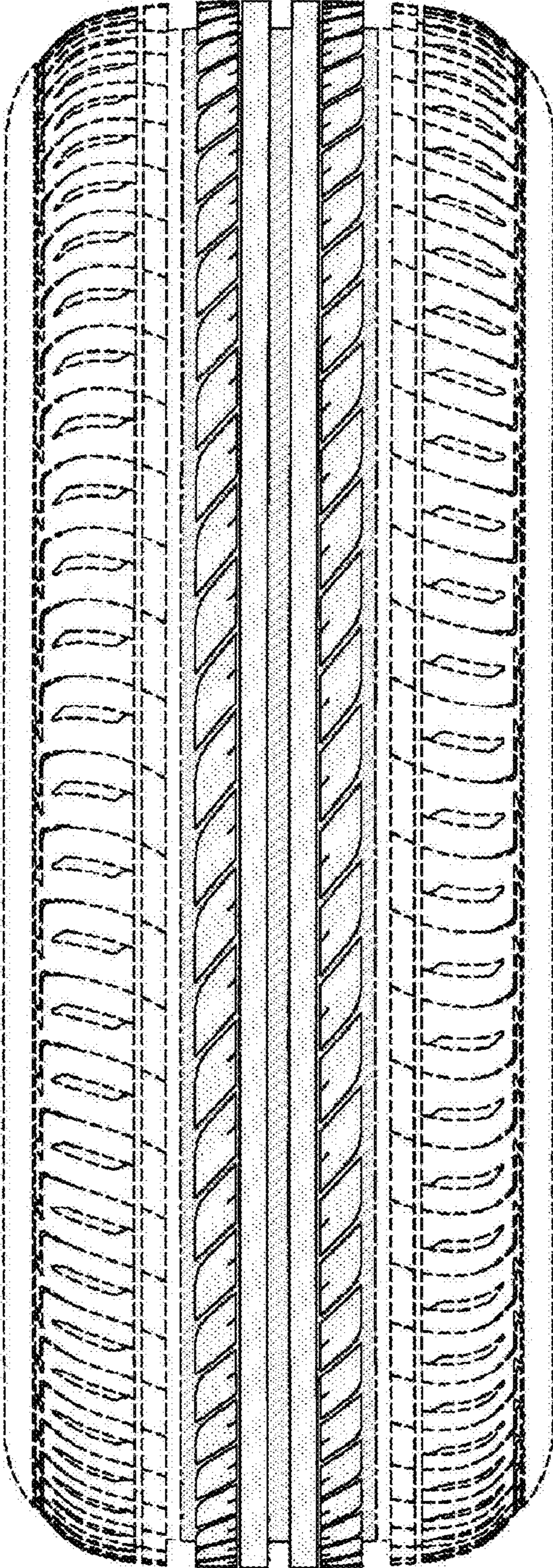


FIG. 2

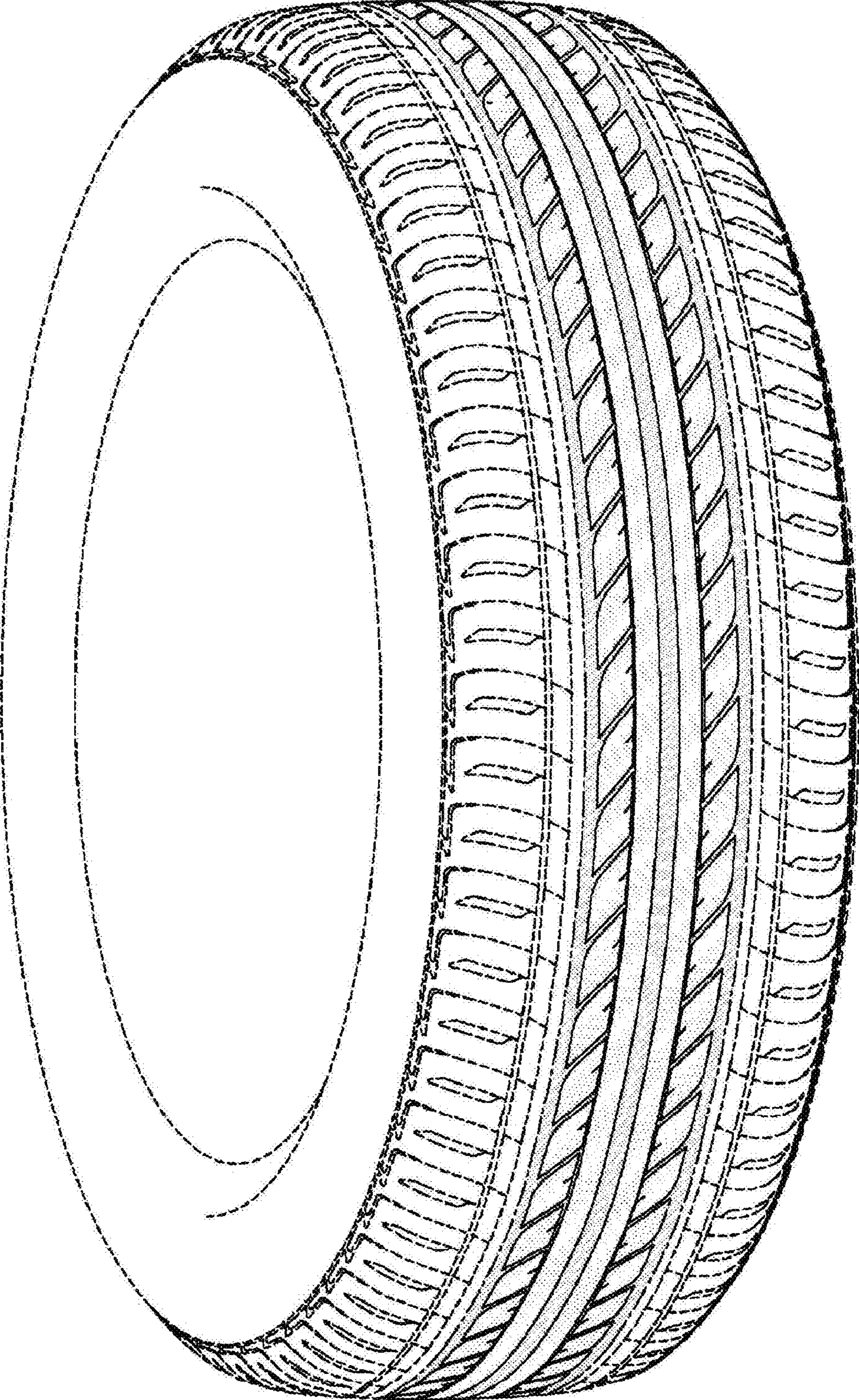


FIG. 3

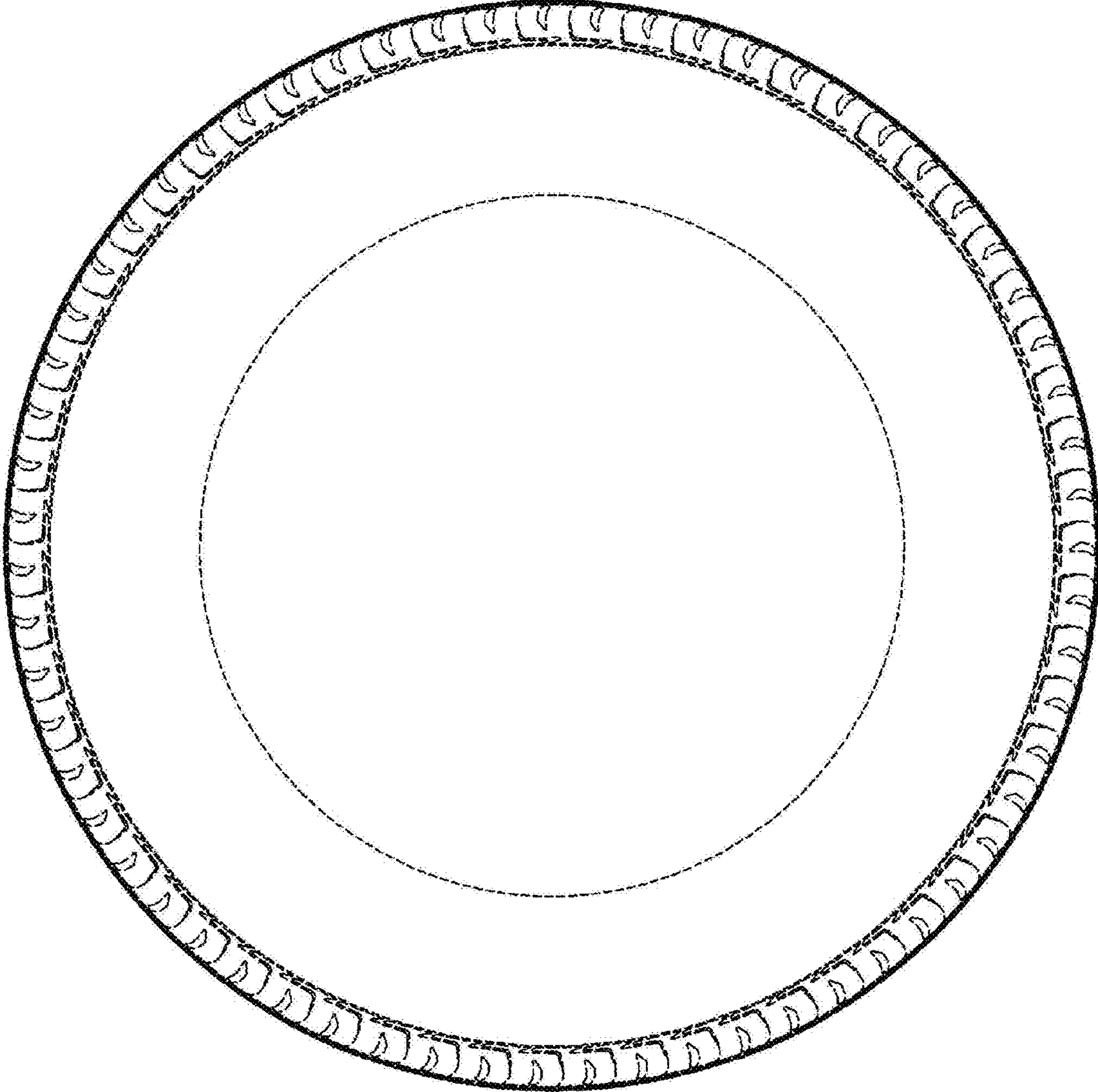


FIG. 4

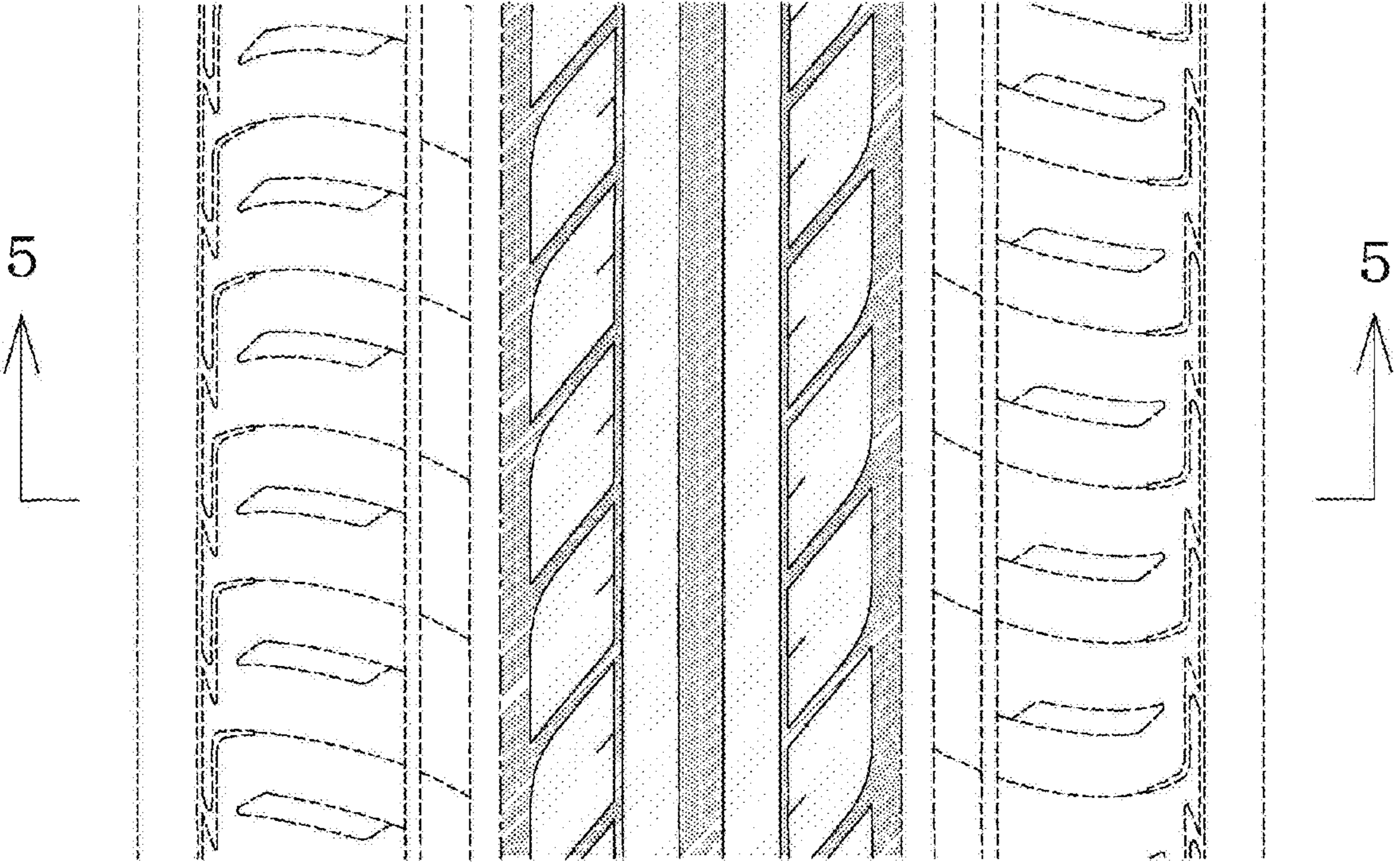


FIG. 5

