



US00D648257S

(12) **United States Design Patent**
Mulanon et al.

(10) **Patent No.:** **US D648,257 S**

(45) **Date of Patent:** **** Nov. 8, 2011**

(54) **BRACKET DESIGN**

(75) Inventors: **Kasap Mulanon**, Bangkok (TH);
Anupong Sawatdee, Bangkok (TH)

(73) Assignee: **Sammitr Green Power Co., Ltd.**,
Bangkok (TH)

(**) Term: **14 Years**

(21) Appl. No.: **29/373,521**

(22) Filed: **Apr. 18, 2011**

Related U.S. Application Data

(62) Division of application No. 29/349,220, filed on Mar. 16, 2010, now Pat. No. Des. 638,344.

(51) **LOC (9) Cl.** **12-16**

(52) **U.S. Cl.** **D12/406**

(58) **Field of Classification Search** D12/413,
D12/414, 406, 412, 414.1; 206/213, 8, 9,
206/279, 290, 713, 335, 315.1-315.4; D32/35,
D32/38; D6/317-319, 513-514, 552; 293/37.1,
293/3, 100; 224/309-310, 315-316, 323-329,
224/400; D3/304-306; 280/760-762, 848,
280/727, 769; 296/99.1, 37.1, 100.01, 100.02,
296/157

See application file for complete search history.

(56) **References Cited**

U.S. PATENT DOCUMENTS

2,237,853 A * 4/1941 Troche 182/127
D394,639 S * 5/1998 Carter D12/406

D487,831 S * 3/2004 Savoie D32/58
6,769,728 B2 * 8/2004 Albaisa et al. 296/37.7
6,779,696 B2 * 8/2004 Aftanas et al. 224/315
7,080,714 B2 * 7/2006 Stout 182/127
7,469,807 B2 * 12/2008 Jeong 224/321
D600,482 S * 9/2009 St. John D6/552
7,628,424 B2 * 12/2009 Seidl et al. 280/762
7,641,251 B1 * 1/2010 Stepanians 296/3
D622,992 S * 9/2010 Dodd D6/552
D634,956 S * 3/2011 St. John D6/552
D639,718 S * 6/2011 Patrick D12/412

* cited by examiner

Primary Examiner — Caron D Veynar

Assistant Examiner — Katrina A Kile

(74) *Attorney, Agent, or Firm* — Fross Zelnick Lehrman &
Zissu, P.C.; Charles T. J. Weigell, Esq.

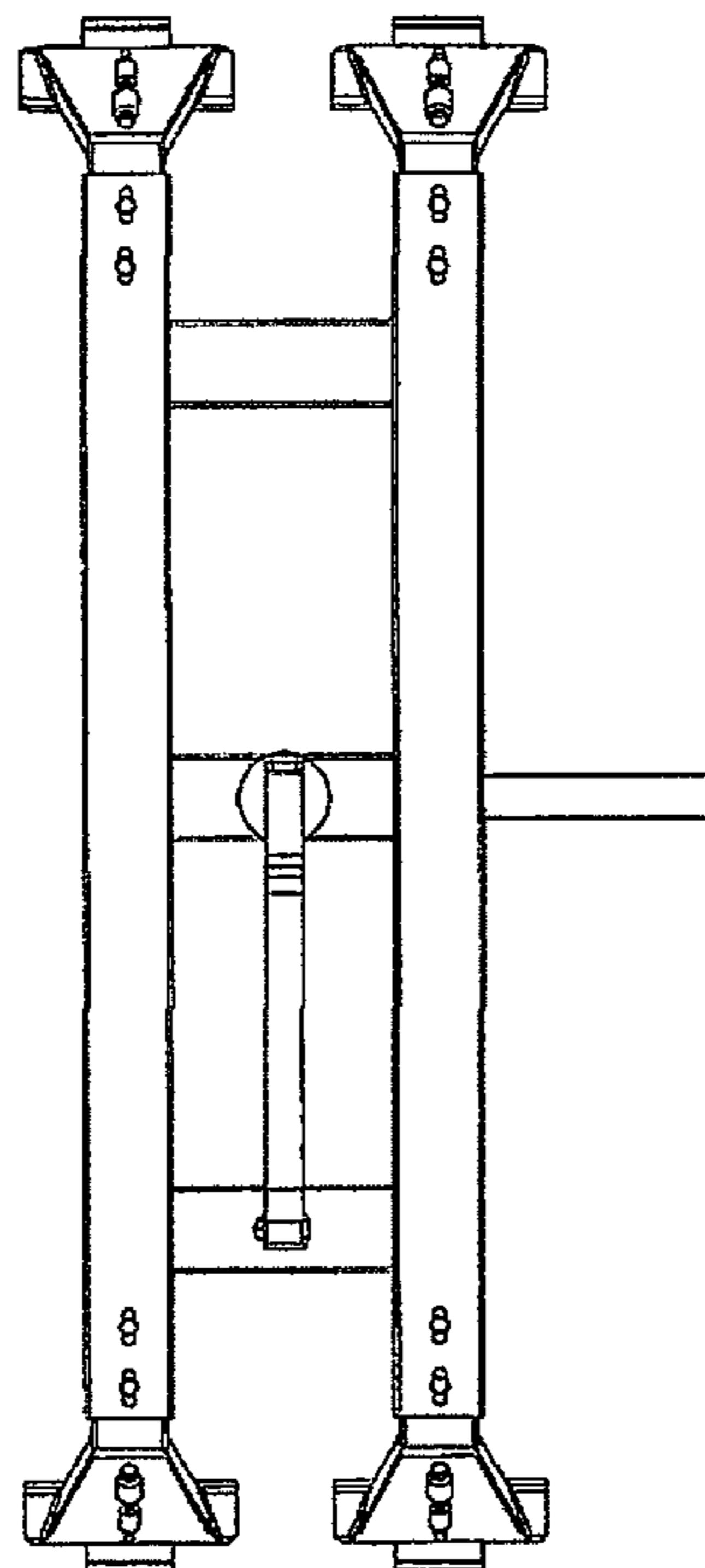
(57) **CLAIM**

The ornamental design for a bracket design, as shown and described.

DESCRIPTION

FIG. 1 is a top view of a bracket for motor vehicles;
FIG. 2 is a bottom view of the bracket shown in FIG. 1;
FIG. 3 is a left side view of the bracket shown in FIG. 1;
FIG. 4 is a right side view of the bracket shown in FIG. 1;
FIG. 5 is a front view of the bracket shown in FIG. 1;
FIG. 6 is a rear view of the bracket shown in FIG. 1;
FIG. 7 is a front perspective view of the bracket shown in FIG. 1; and,
FIG. 8 is a rear perspective view of the bracket shown in FIG. 1.

1 Claim, 8 Drawing Sheets



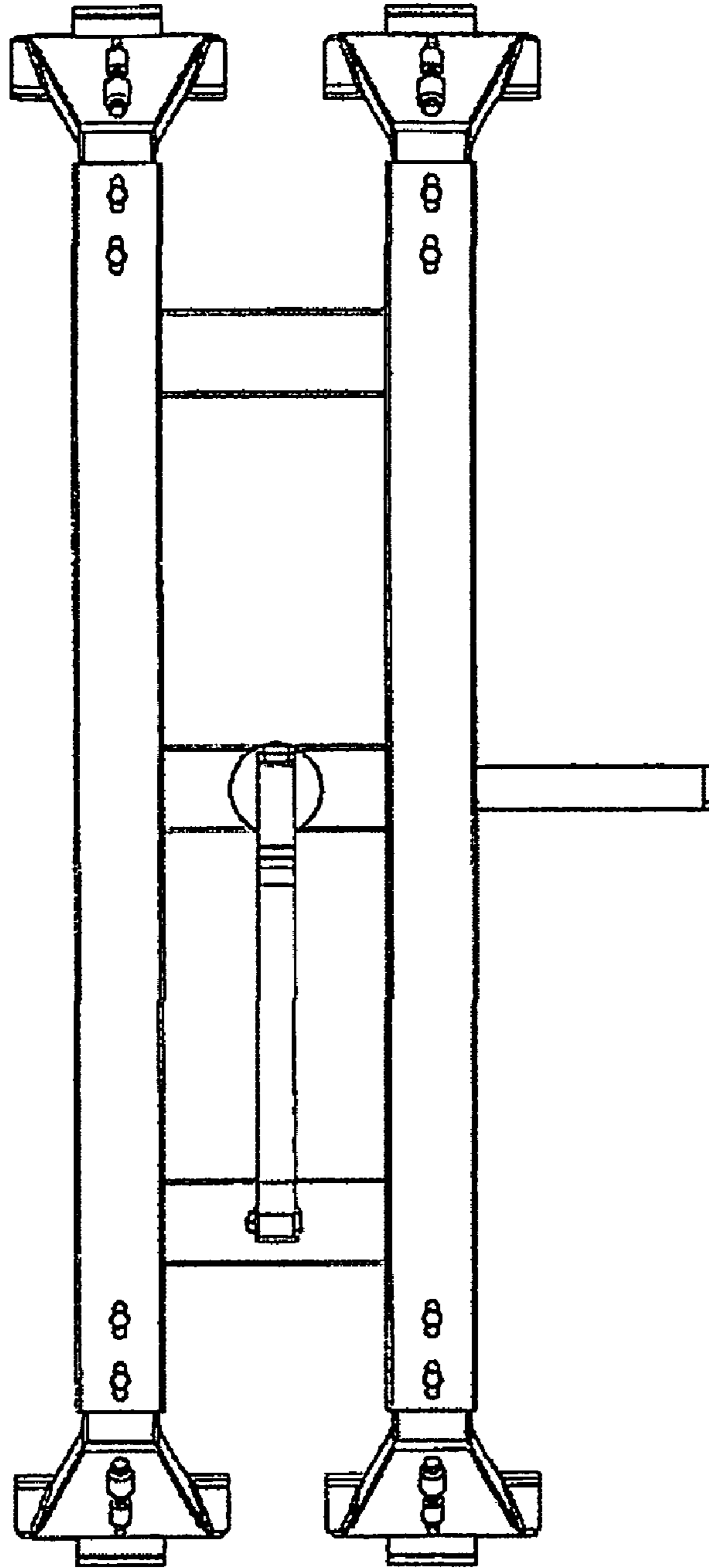


FIG. 1

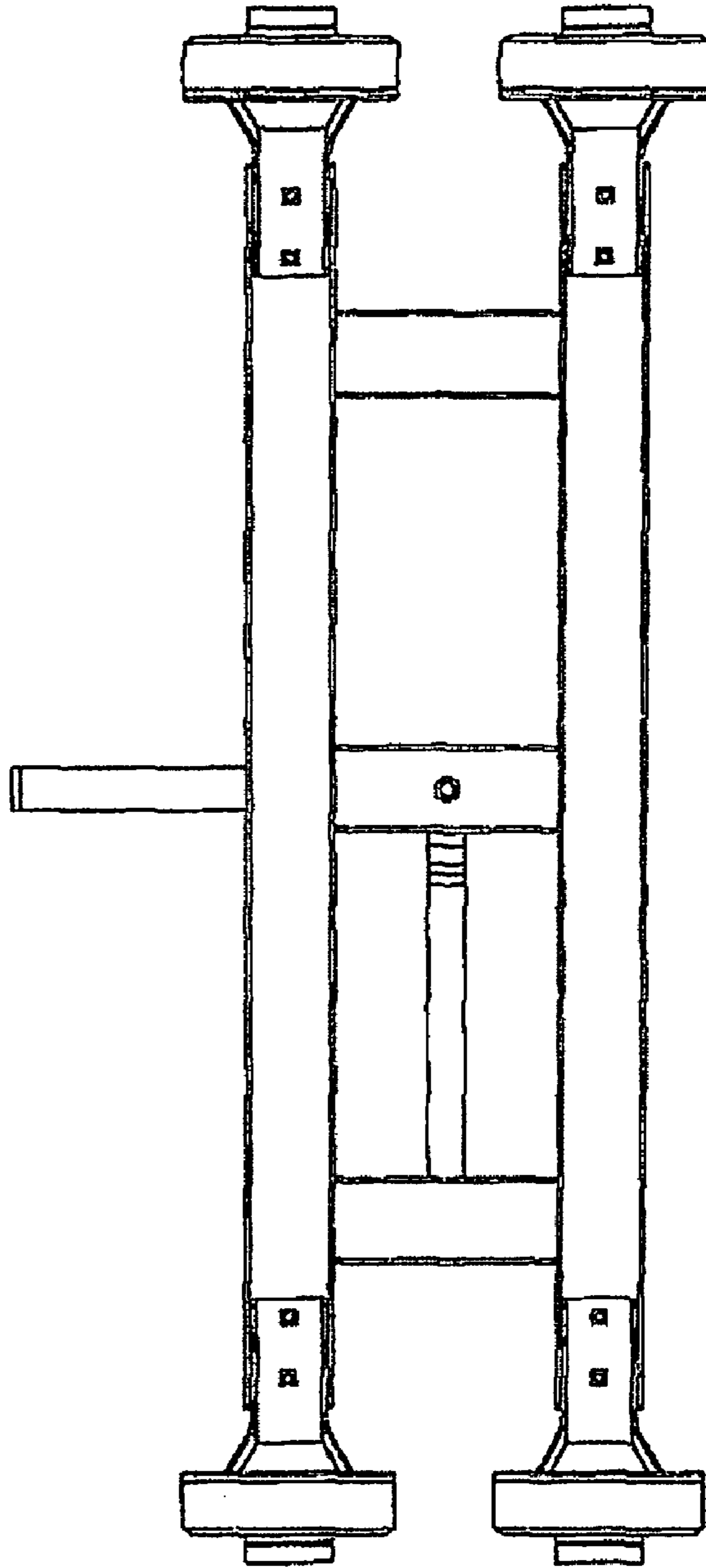


FIG. 2

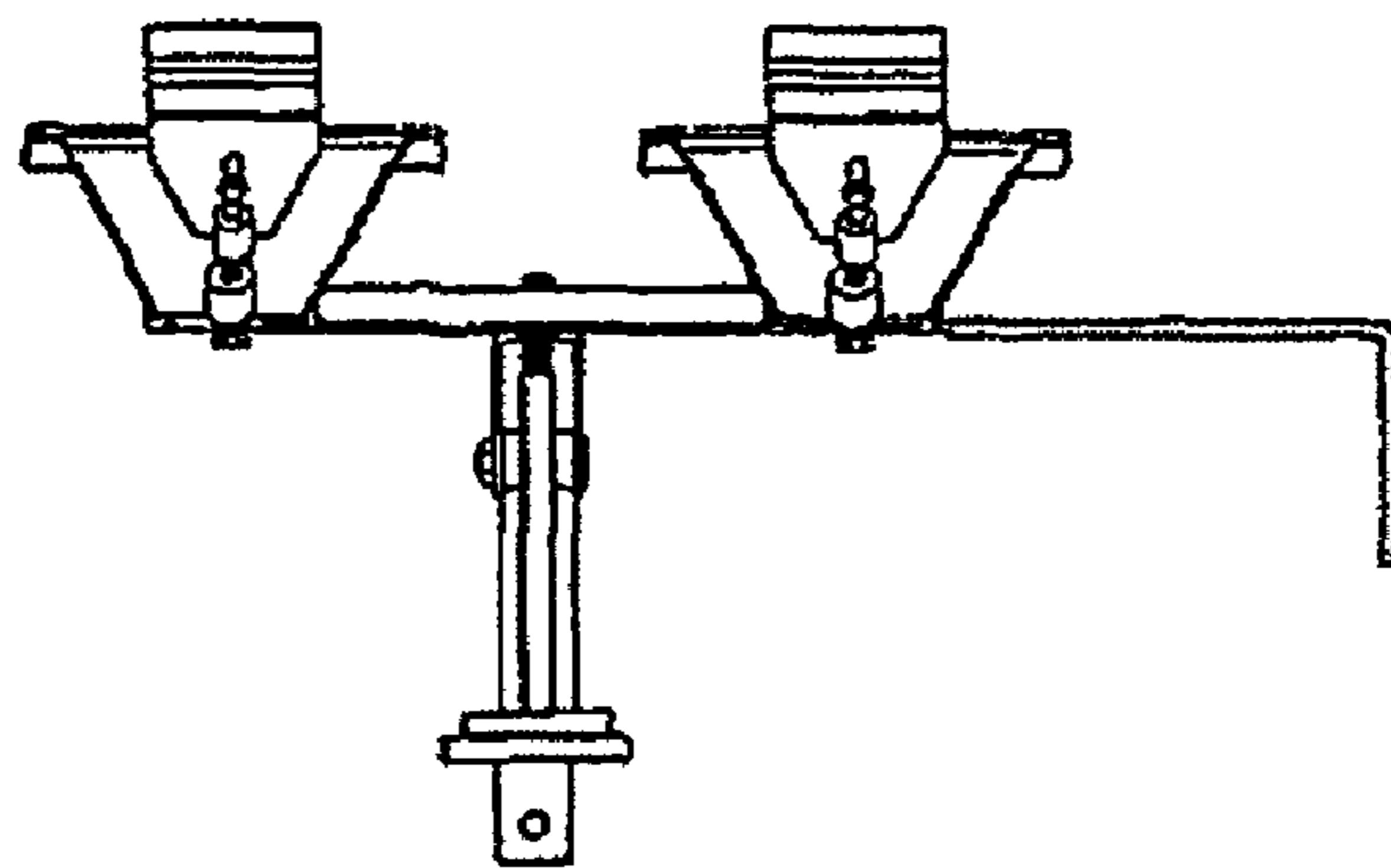


FIG. 3

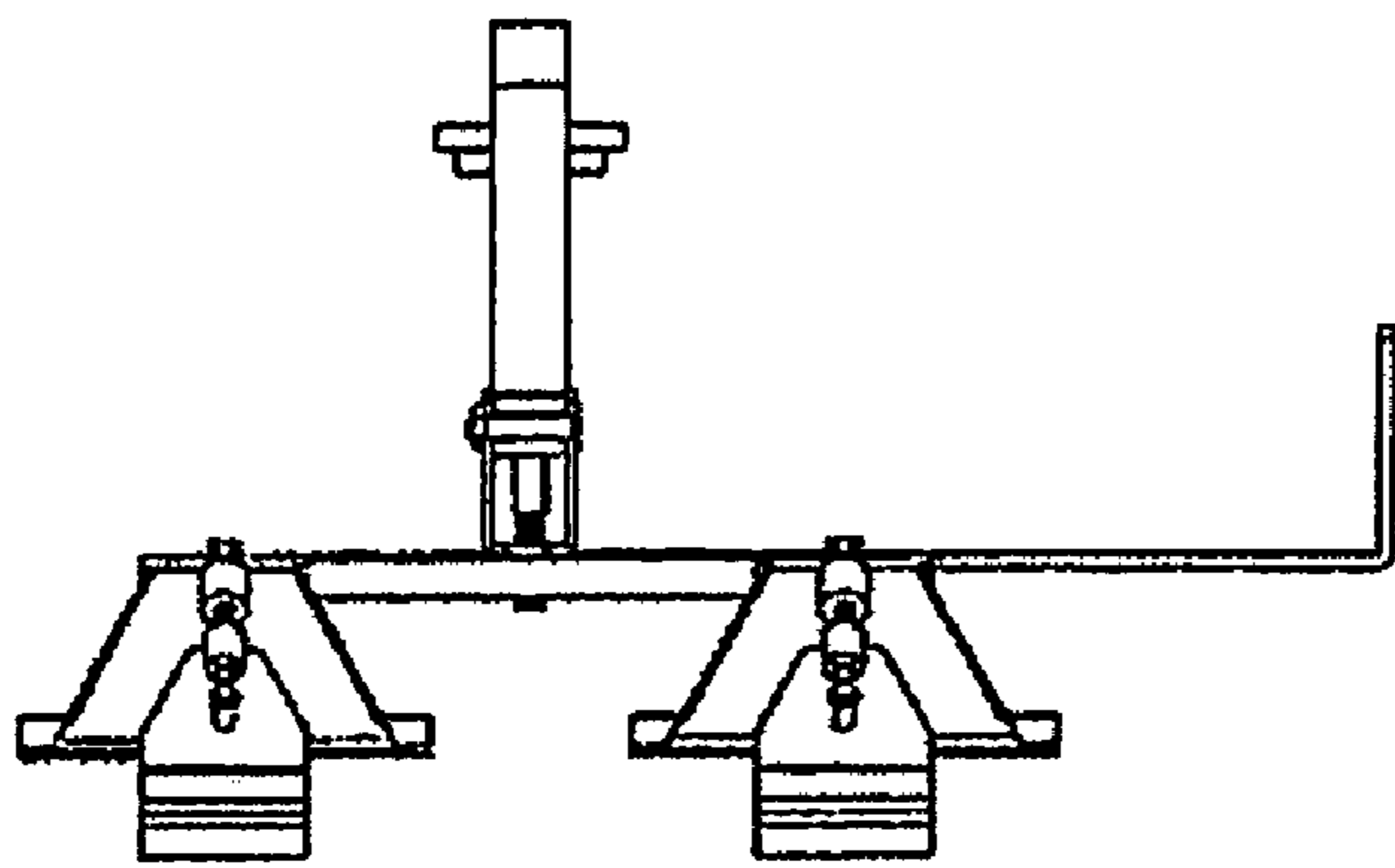


FIG. 4

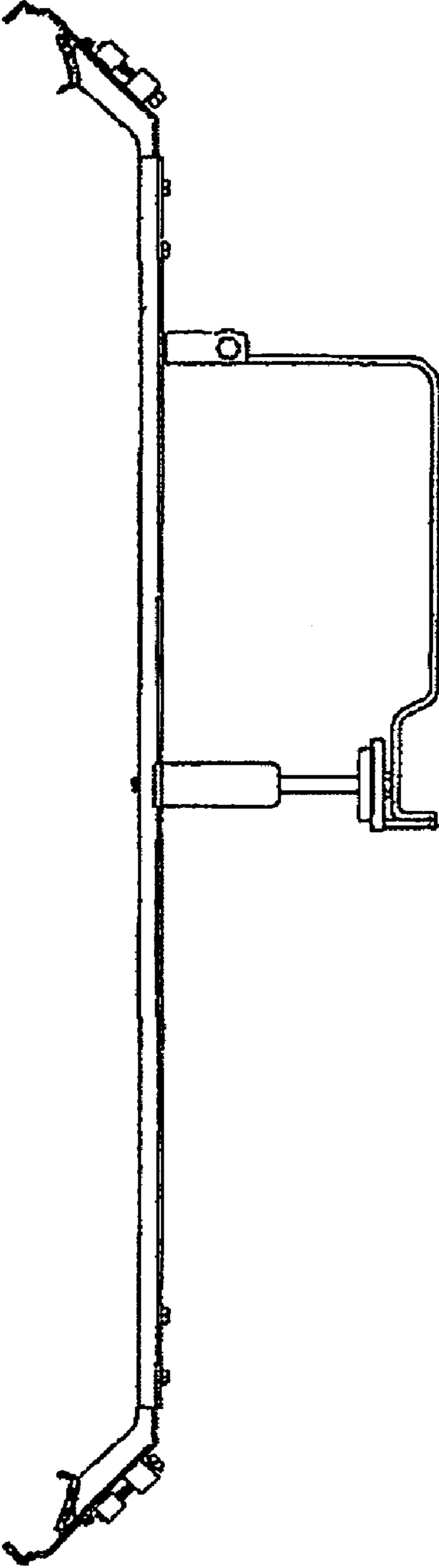


FIG. 5

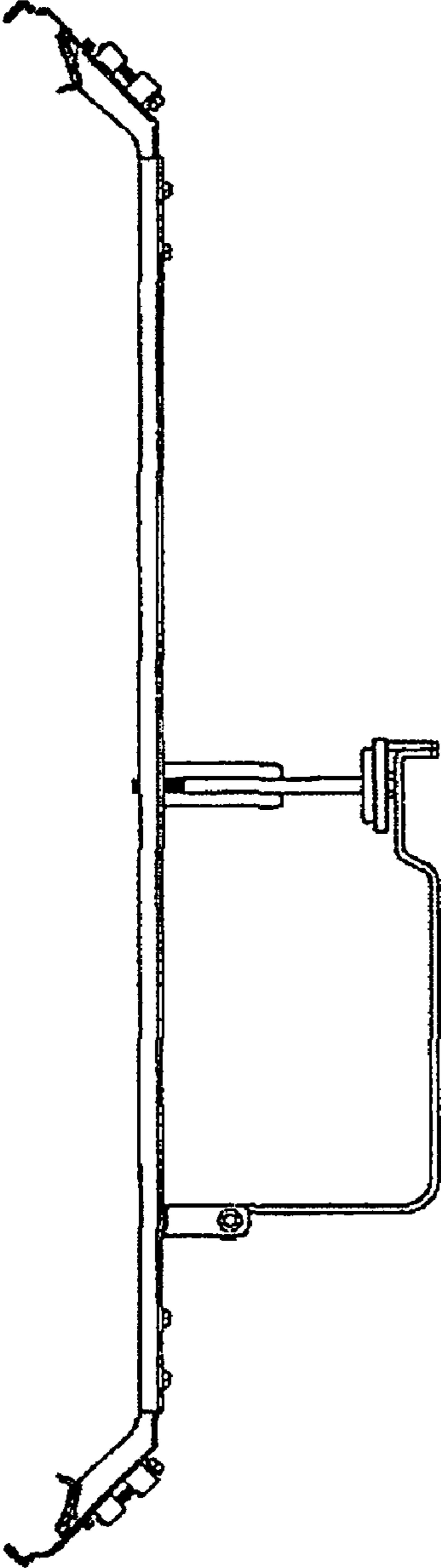


FIG. 6

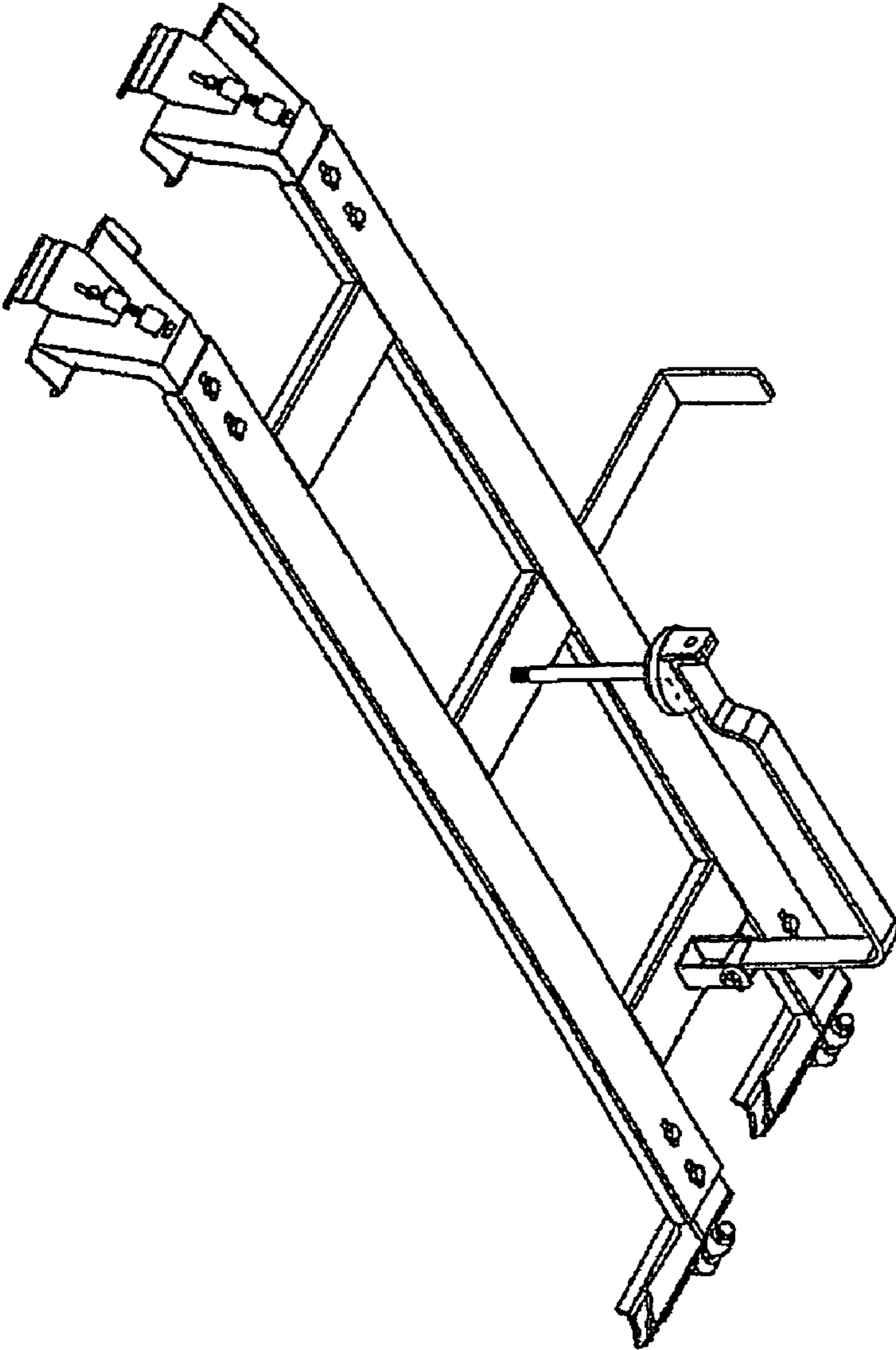


FIG. 7

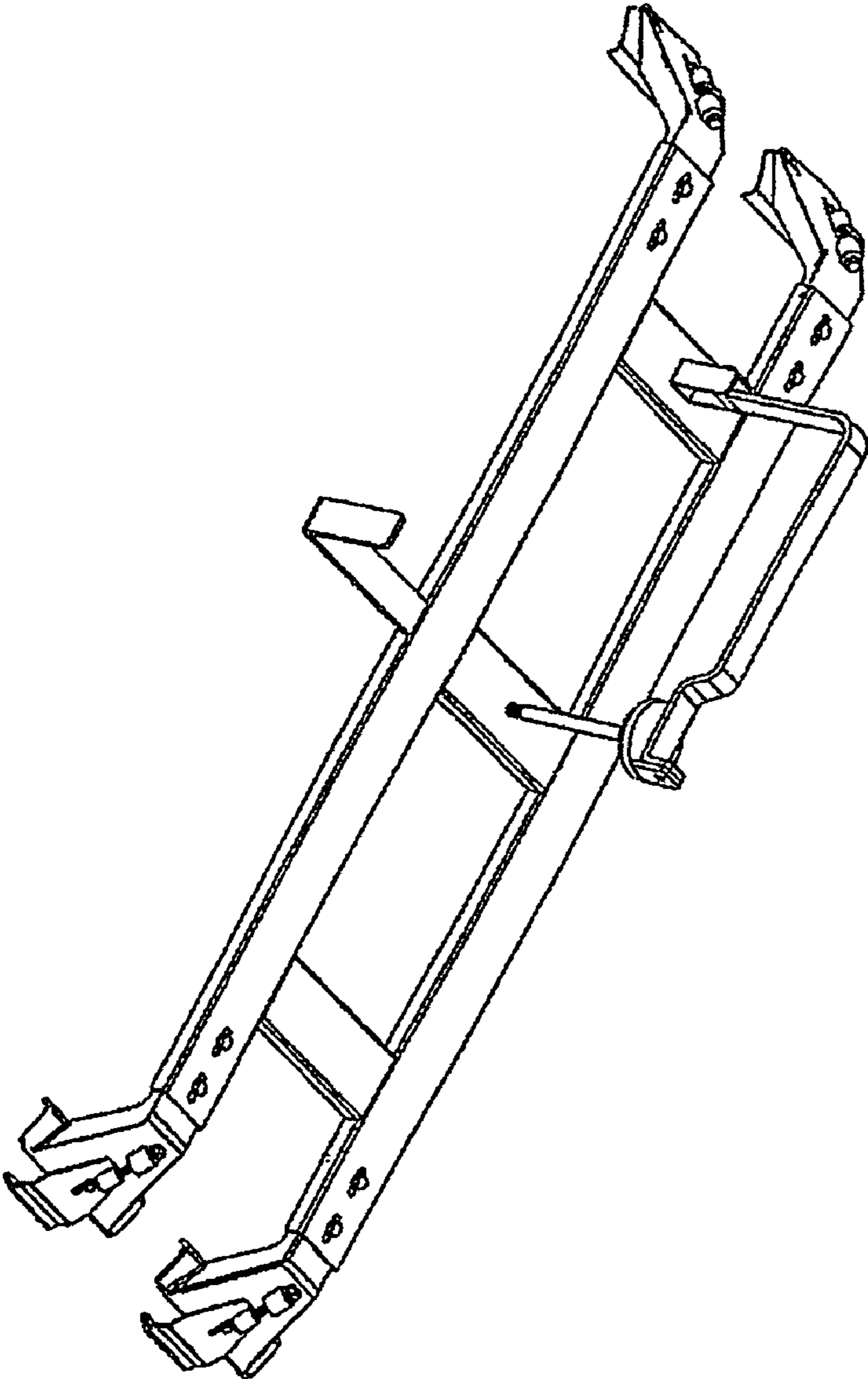


FIG. 8

UNITED STATES PATENT AND TRADEMARK OFFICE
CERTIFICATE OF CORRECTION

PATENT NO. : D648,257 S
APPLICATION NO. : 29/373521
DATED : November 8, 2011
INVENTOR(S) : Anupong Sawatdee

Page 1 of 1

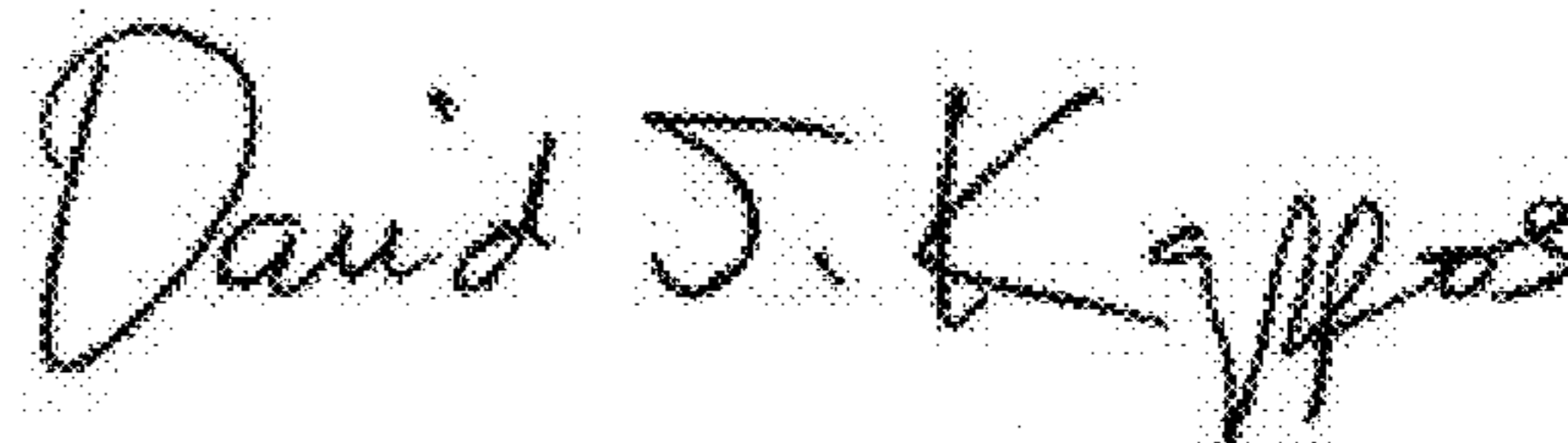
It is certified that error appears in the above-identified patent and that said Letters Patent is hereby corrected as shown below:

On the Title page, Item (75) Inventor erroneously lists two names.

The corrected face of the patent should read -

Item (75) Inventor: Anupong Sawatdee, Bangkok (TH)

Signed and Sealed this
Twenty-first Day of February, 2012

A handwritten signature in black ink that reads "David J. Kappos". The signature is written in a cursive, slightly slanted style.

David J. Kappos
Director of the United States Patent and Trademark Office