



US00D648254S

(12) **United States Design Patent**
Barry

(10) **Patent No.:** **US D648,254 S**

(45) **Date of Patent:** **** Nov. 8, 2011**

(54) **VEHICLE WHEEL**

(75) Inventor: **Adam H. Barry**, Sterling Heights, MI (US)

(73) Assignee: **GM Global Technology Operations LLC**, Detroit, MI (US)

(**) Term: **14 Years**

(21) Appl. No.: **29/378,165**

(22) Filed: **Oct. 30, 2010**

(51) **LOC (9) Cl.** **12-16**

(52) **U.S. Cl.** **D12/209**

(58) **Field of Classification Search** D12/204-213;
301/37.101, 64.101, 65, 64.201
See application file for complete search history.

(56) **References Cited**

U.S. PATENT DOCUMENTS

D453,134 S *	1/2002	Murkett et al.	D12/209
D486,769 S *	2/2004	Gallert	D12/209
D506,717 S *	6/2005	Gallert	D12/209
D510,554 S *	10/2005	Markefka	D12/211

D524,220 S *	7/2006	Scheu	D12/211
D533,826 S *	12/2006	Scheu	D12/211
D542,207 S *	5/2007	Gauffres	D12/211
D542,728 S *	5/2007	Ichinose	D12/211
D566,641 S *	4/2008	Fuligni et al.	D12/211
D581,853 S *	12/2008	Rak	D12/211
D594,801 S *	6/2009	Imai	D12/211
D608,713 S *	1/2010	Bucher et al.	D12/209
D623,115 S *	9/2010	Juergens et al.	D12/211
D629,346 S *	12/2010	Szews	D12/211
D638,771 S *	5/2011	Chung	D12/211

* cited by examiner

Primary Examiner — Stacia Cadmus

(74) *Attorney, Agent, or Firm* — Reising Ethington P.C.

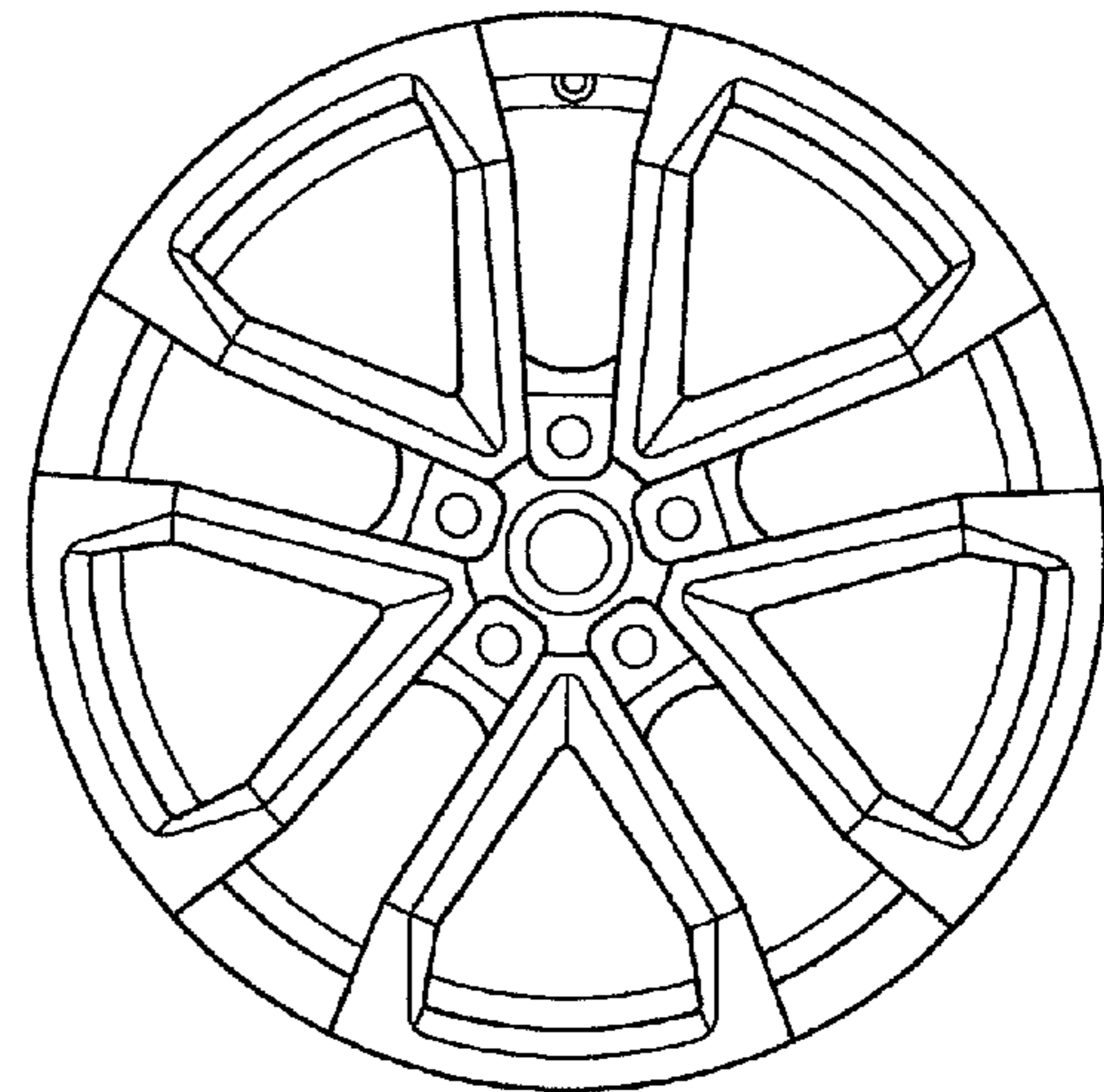
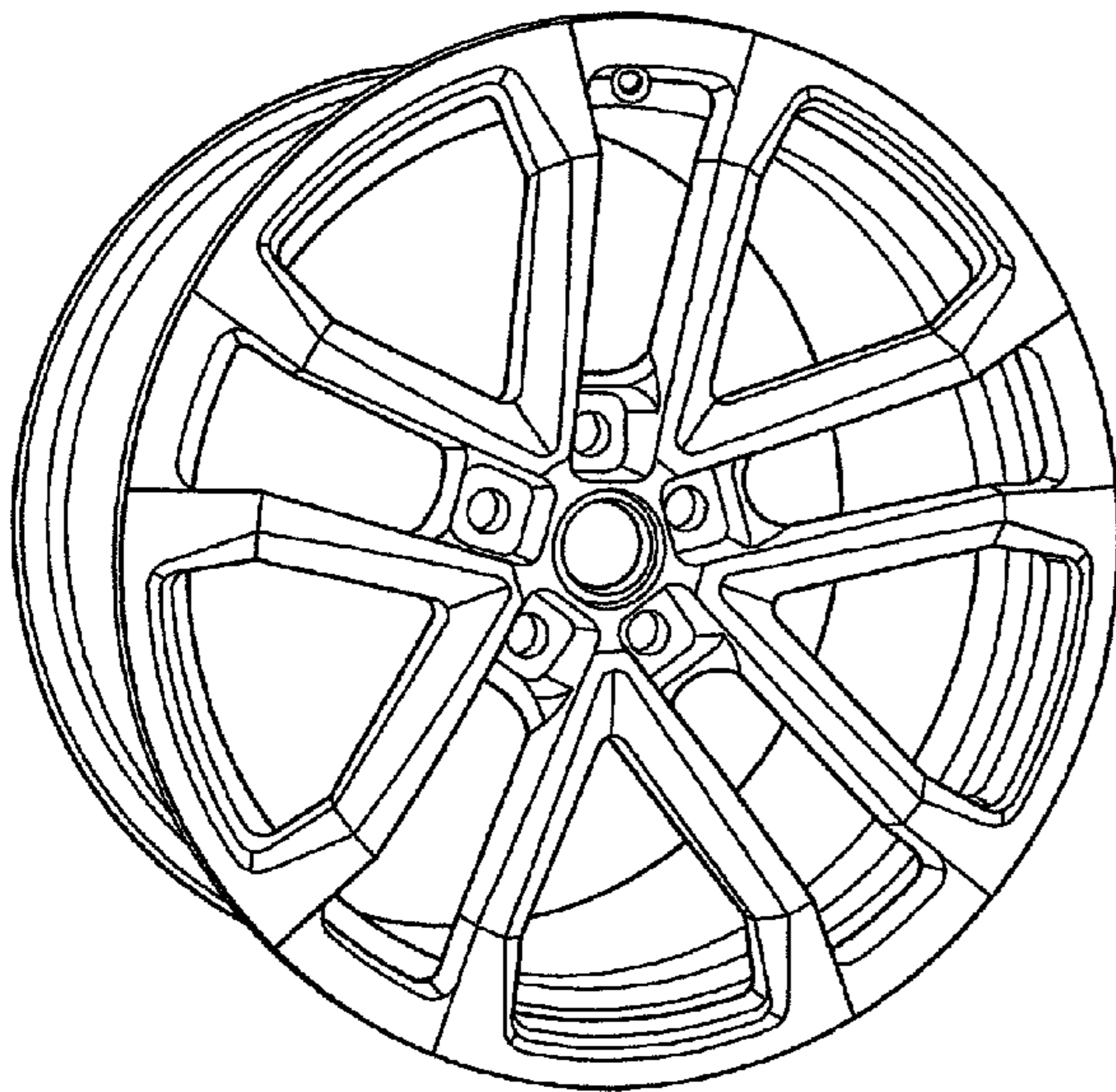
(57) **CLAIM**

The ornamental design for a vehicle wheel, as shown and described.

DESCRIPTION

FIG. 1 is a left front perspective view of a vehicle wheel showing the new design; and, FIG. 2 is a front view thereof.

1 Claim, 1 Drawing Sheet



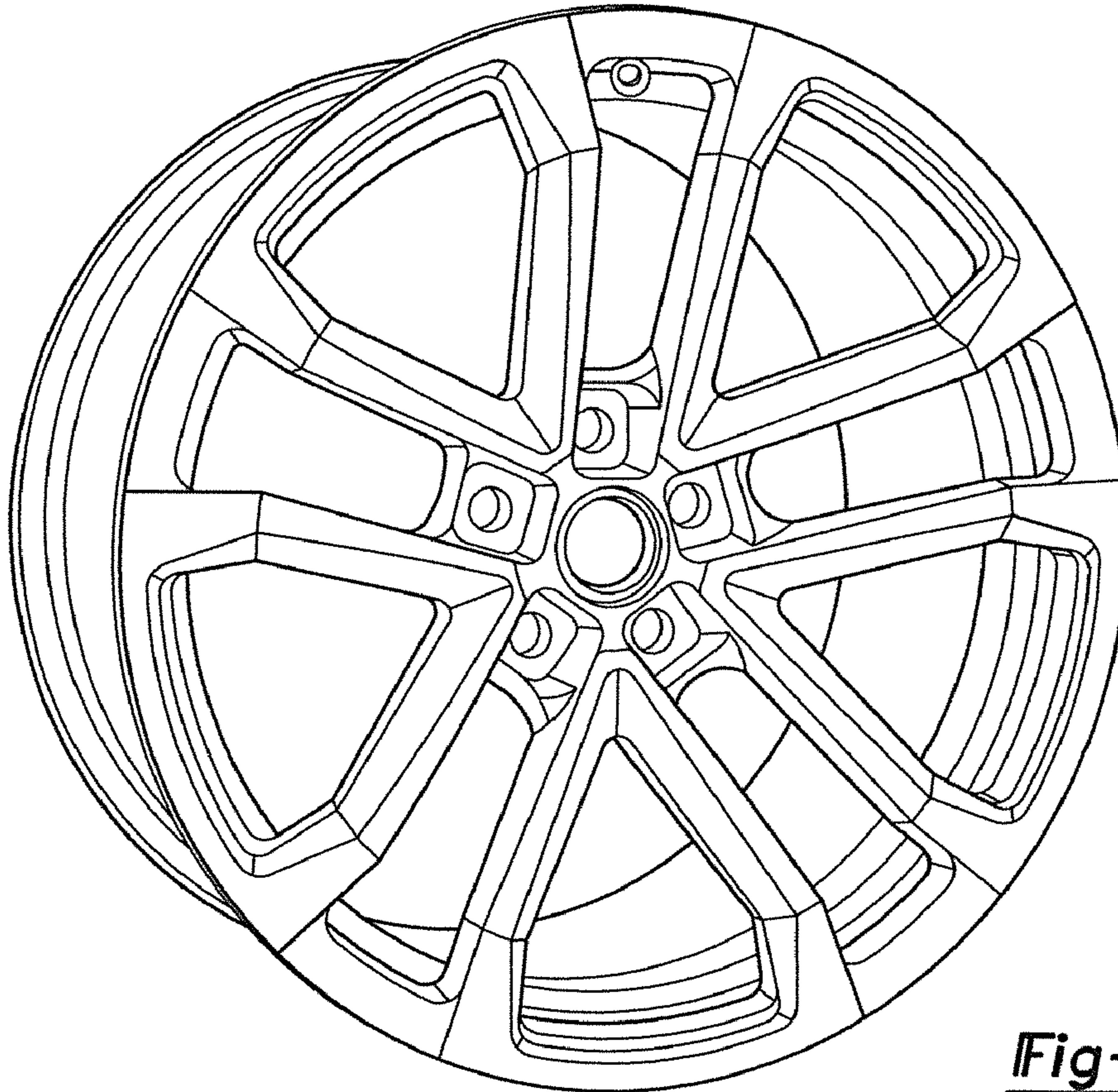


Fig-1

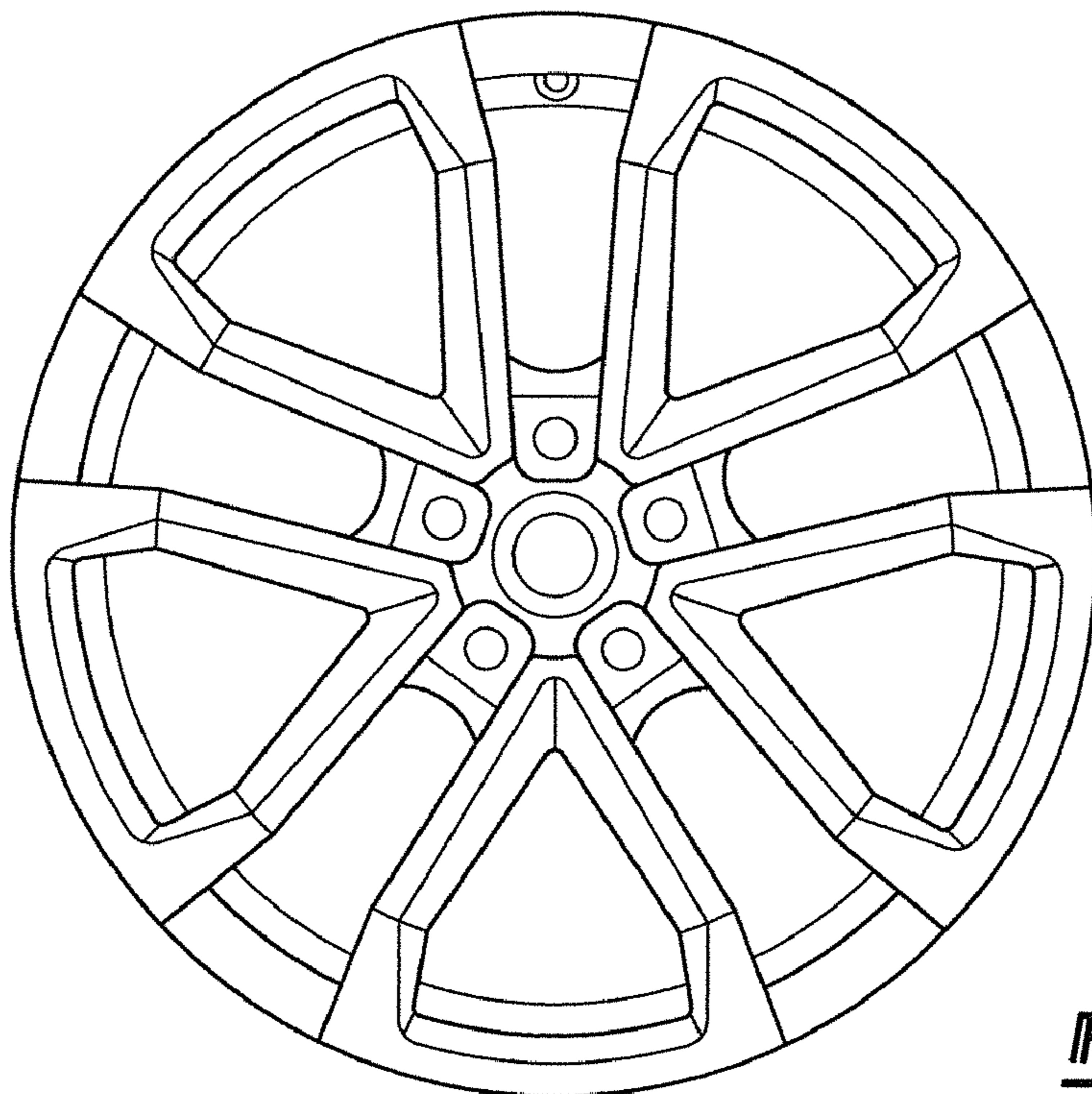


Fig-2