



US00D648240S

(12) **United States Design Patent**  
**Kim et al.**

(10) **Patent No.:** **US D648,240 S**

(45) **Date of Patent:** **\*\* Nov. 8, 2011**

(54) **REFLECTOR**

(75) Inventors: **Eunhwa Kim**, Seoul (KR); **Sungho Hong**, Seoul (KR)

(73) Assignee: **LG Innotek Co., Ltd.**, Seoul (KR)

(\*\*) Term: **14 Years**

(21) Appl. No.: **29/391,160**

(22) Filed: **May 4, 2011**

(30) **Foreign Application Priority Data**

Nov. 19, 2010 (KR) ..... 30-2010-0050042

(51) **LOC (9) Cl.** ..... **10-05**

(52) **U.S. Cl.** ..... **D10/111; D26/118**

(58) **Field of Classification Search** ..... D10/109.1,  
D10/111; D26/113, 118-124; 362/341,  
362/346-350, 327, 328

See application file for complete search history.

(56) **References Cited**

**U.S. PATENT DOCUMENTS**

1,120,963	A *	12/1914	Mygatt	.....	362/340
D138,326	S *	7/1944	Rambusch	.....	D12/317
D214,939	S *	8/1969	Arrigoni	.....	D26/120
D281,355	S *	11/1985	Fraley et al.	.....	D26/2
D463,590	S *	9/2002	Huang	.....	D26/36
6,603,243	B2 *	8/2003	Parkyn et al.	.....	313/113

D515,943	S *	2/2006	Hamblin et al.	.....	D9/756
7,070,312	B2 *	7/2006	Tatsukawa	.....	362/545
D556,364	S *	11/2007	McDowell	.....	D26/118
D569,543	S *	5/2008	Toda	.....	D26/122
7,445,363	B2 *	11/2008	Vanden Eynden	.....	362/346
D608,492	S *	1/2010	Zaderej et al.	.....	D26/123
D621,993	S *	8/2010	Jong	.....	D26/118
D622,440	S *	8/2010	Briese	.....	D26/118

\* cited by examiner

*Primary Examiner* — Caron D Veynar

*Assistant Examiner* — George D Kirschbaum

(74) *Attorney, Agent, or Firm* — Lowe Hauptman Ham & Berner LLP

(57) **CLAIM**

The ornamental design for a reflector, as shown and described.

**DESCRIPTION**

FIG. 1 is a perspective view of a reflector showing my/our new design;

FIG. 2 is a front elevational view thereof, a rear elevational view, a left side elevational view and a right side elevational view being identical;

FIG. 3 is a top plan view thereof;

FIG. 4 is a bottom plan view thereof; and,

FIG. 5 is a cross-sectional view taken along line 5-5 of FIG. 3.

**1 Claim, 4 Drawing Sheets**

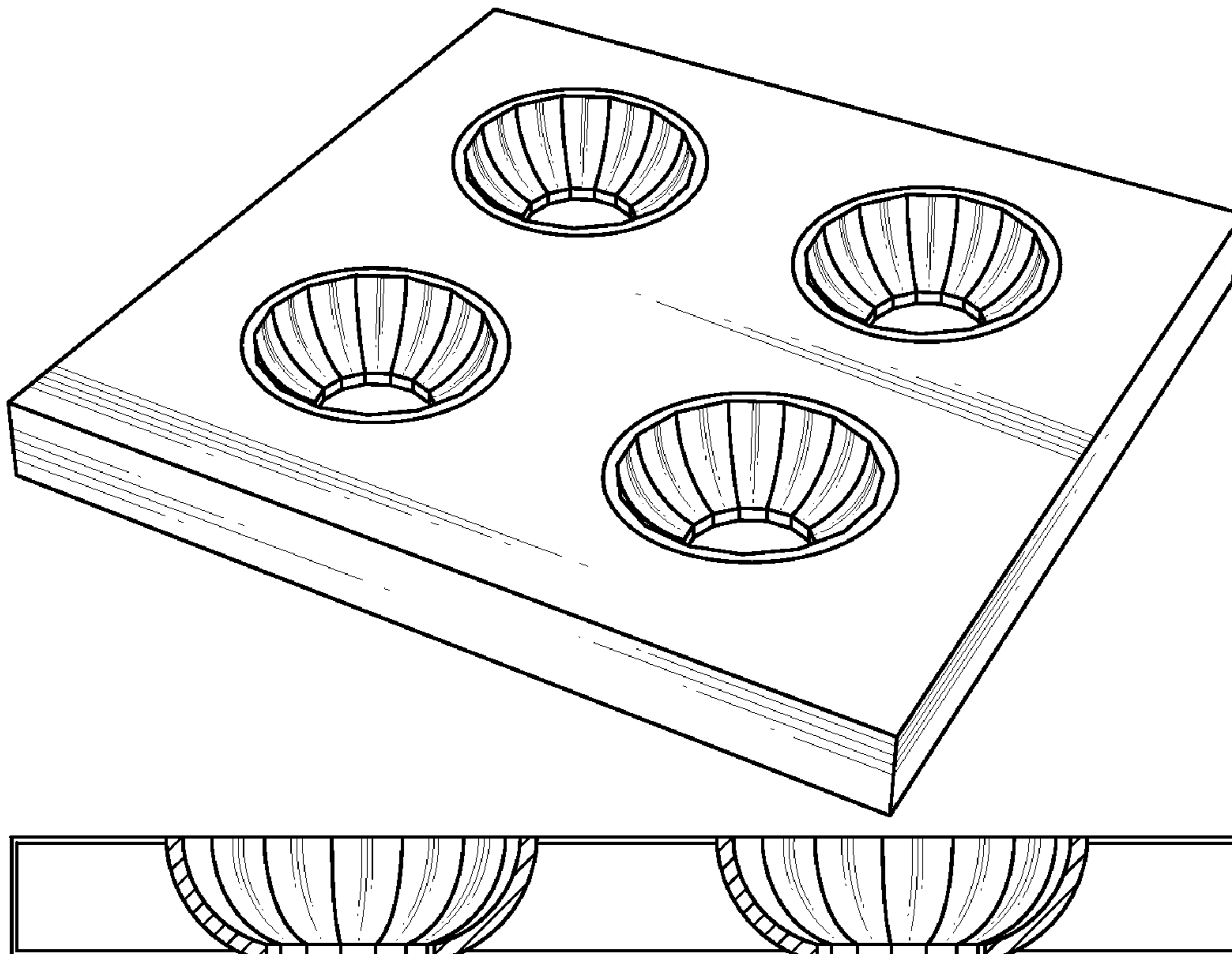


FIG. 1

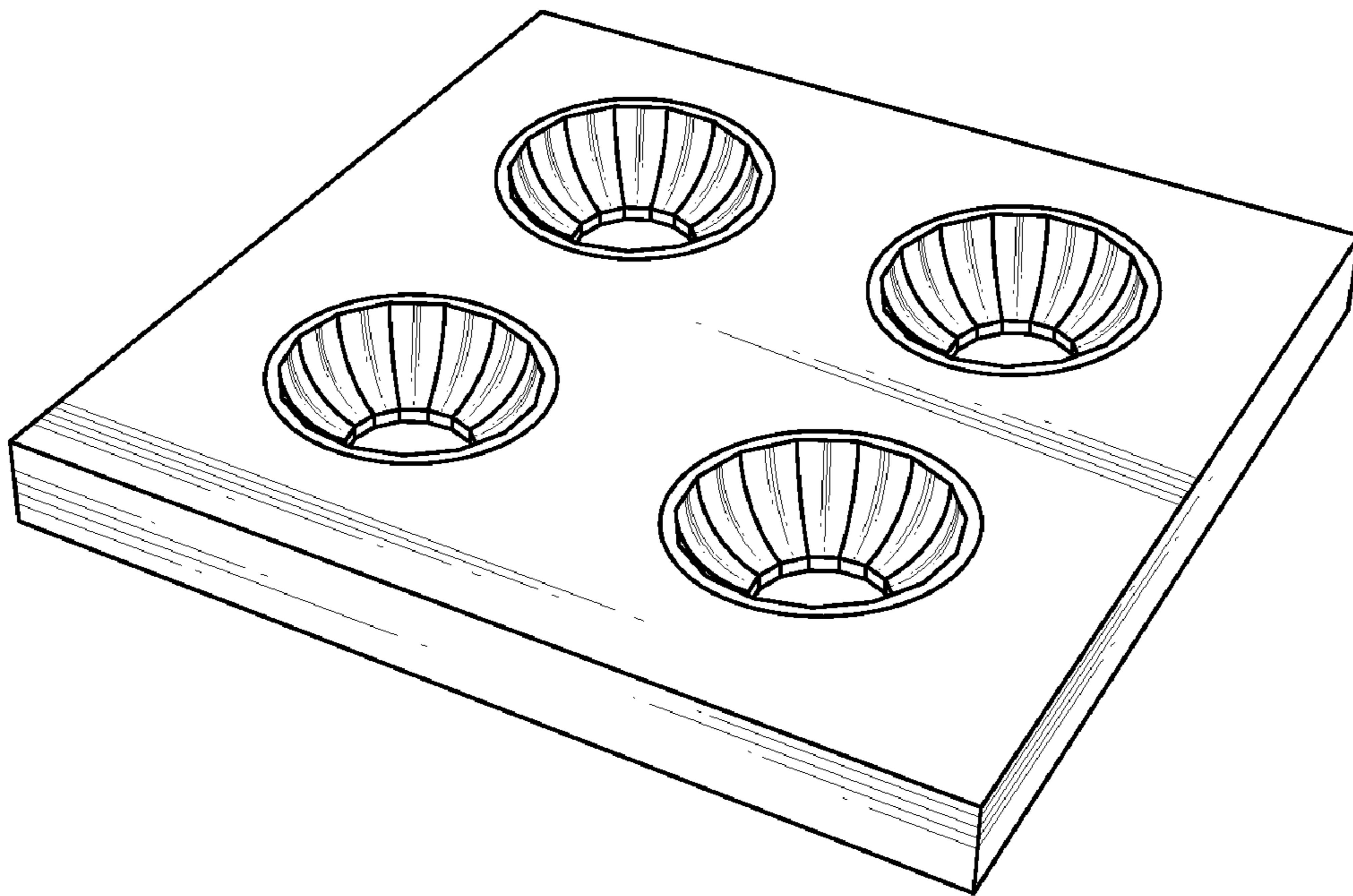


FIG. 2

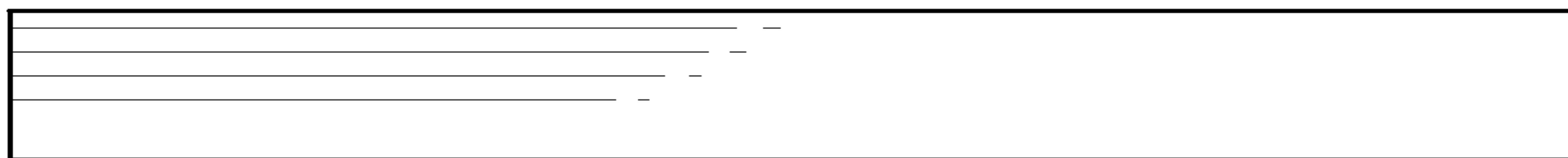


FIG. 3

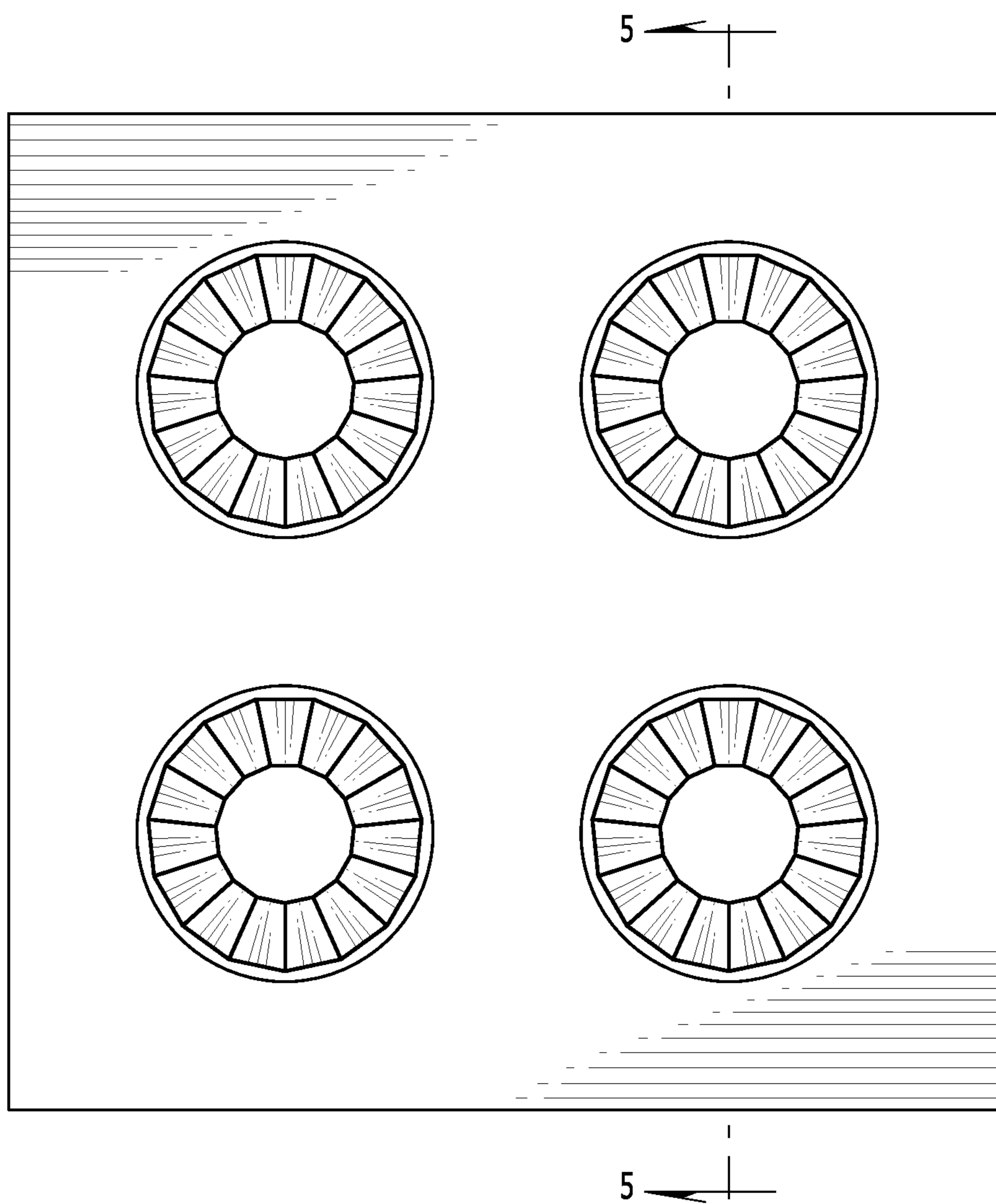


FIG. 4

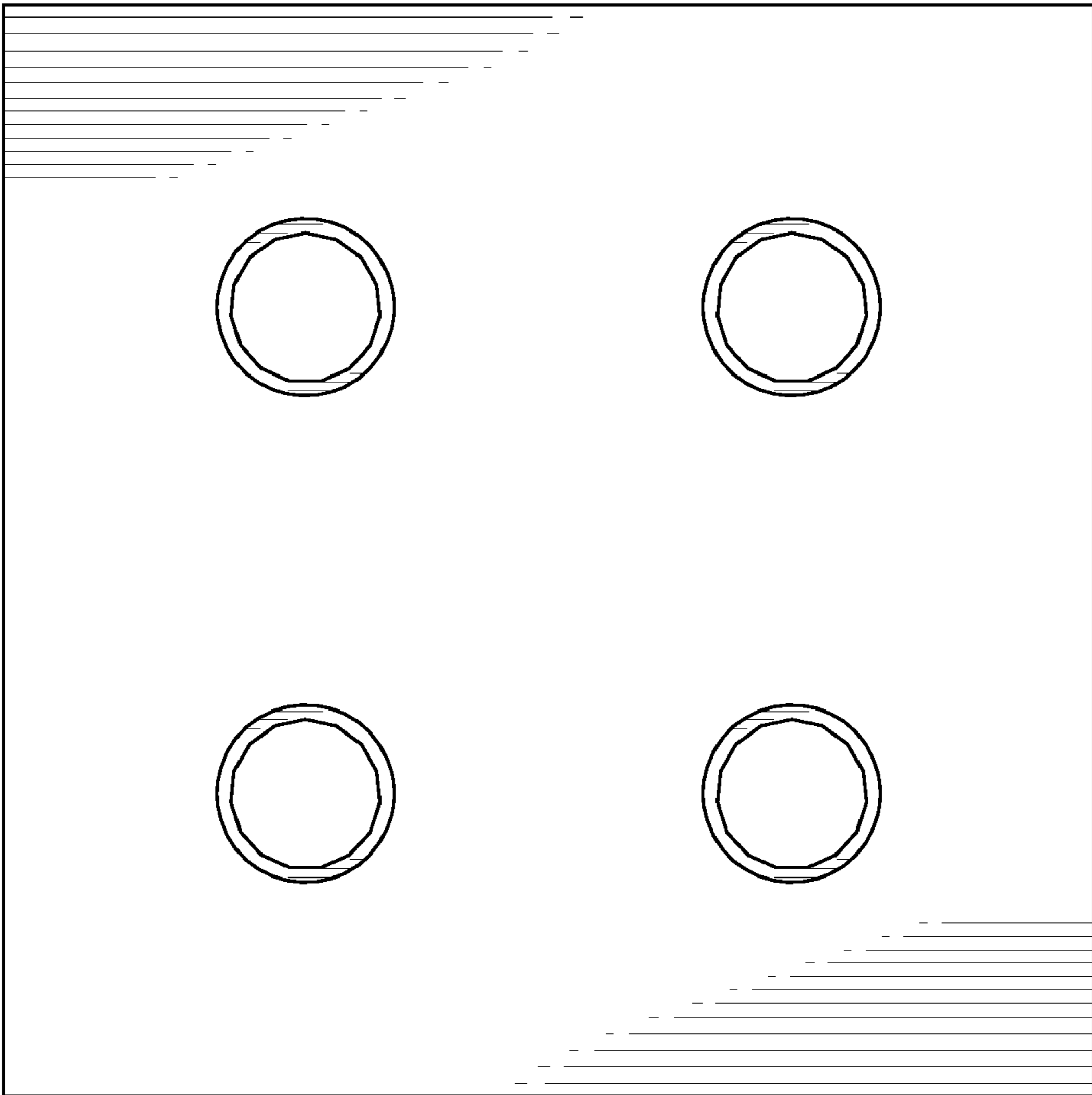


FIG. 5

