



US00D648234S

(12) **United States Design Patent**
Lenz et al.

(10) **Patent No.:** **US D648,234 S**

(45) **Date of Patent:** **** *Nov. 8, 2011**

(54) **NAVIGATION DEVICE**

(75) Inventors: **Derrick D. Lenz**, Olathe, KS (US);
Warren R. Stevens, Olathe, KS (US);
Brian F. Ruff, Olathe, KS (US); **John R. Tines**, Overland Park, KS (US)

(73) Assignee: **Garmin Switzerland GmbH** (CH)

(*) Notice: This patent is subject to a terminal disclaimer.

(**) Term: **14 Years**

(21) Appl. No.: **29/369,090**

(22) Filed: **Sep. 2, 2010**

(51) **LOC (9) Cl.** **10-04**

(52) **U.S. Cl.** **D10/65**

(58) **Field of Classification Search** D10/65;
D14/315, 336, 337, 341, 342, 343; 342/386,
342/351, 419, 457, 357.2-357.78, 450, 458;
343/702; 345/87, 104, 133, 156, 168, 173,
345/901-905; 348/180, 184, 315, 739; 364/444,
364/499; 701/206-209, 213, 214
See application file for complete search history.

(56) **References Cited**

U.S. PATENT DOCUMENTS

D571,234 S	6/2008	Reeson et al.	D10/65
D575,171 S *	8/2008	Miyawaki	D10/65
D589,824 S *	4/2009	Gretton	D10/65
D595,598 S	7/2009	Stevens et al.	D10/65
D603,278 S *	11/2009	Jerbi	D10/65
D603,279 S *	11/2009	Weinschenk	D10/65
D611,363 S *	3/2010	Lenz et al.	D10/65

D611,364 S *	3/2010	Lenz et al.	D10/65
D622,169 S *	8/2010	Lenz et al.	D10/65
D627,667 S *	11/2010	Lenz et al.	D10/65

OTHER PUBLICATIONS

Garmin nüvi® 1490T, published Apr. 2009.
Garmin nüvi® 1200, published Mar. 2009.
Garmin nüvi® 1300, published Mar. 2009.
U.S. Appl. No. 29/332,867, filed Feb. 26, 2009.
U.S. Appl. No. 29/342,562, filed Aug. 27, 2009.
U.S. Appl. No. 29/342,055, filed Aug. 18, 2009.
U.S. Appl. No. 29/355,961, filed Feb. 17, 2010.
U.S. Appl. No. 29/369,082, filed Sep. 2, 2010.
U.S. Appl. No. 29/369,086, filed Sep. 2, 2010.

* cited by examiner

Primary Examiner — Antoine D Davis

(74) *Attorney, Agent, or Firm* — Samuel M. Korte

(57) **CLAIM**

The ornamental design for a navigation device, as shown and described.

DESCRIPTION

FIG. 1 is a front perspective view of a navigation device according to embodiments of the present invention; FIG. 2 is a rear perspective view of the navigation device; FIG. 3 is a top view of the navigation device; FIG. 4 is a front view of the navigation device; FIG. 5 is a bottom view of the navigation device; FIG. 6 is a rear view of the navigation device; FIG. 7 is a left side view of the navigation device; and, FIG. 8 is a right side view of the navigation device. Portions of FIGS. 1 through 8 are shown in dashed lines for illustrative purposes only and form no part of the claimed design.

1 Claim, 3 Drawing Sheets

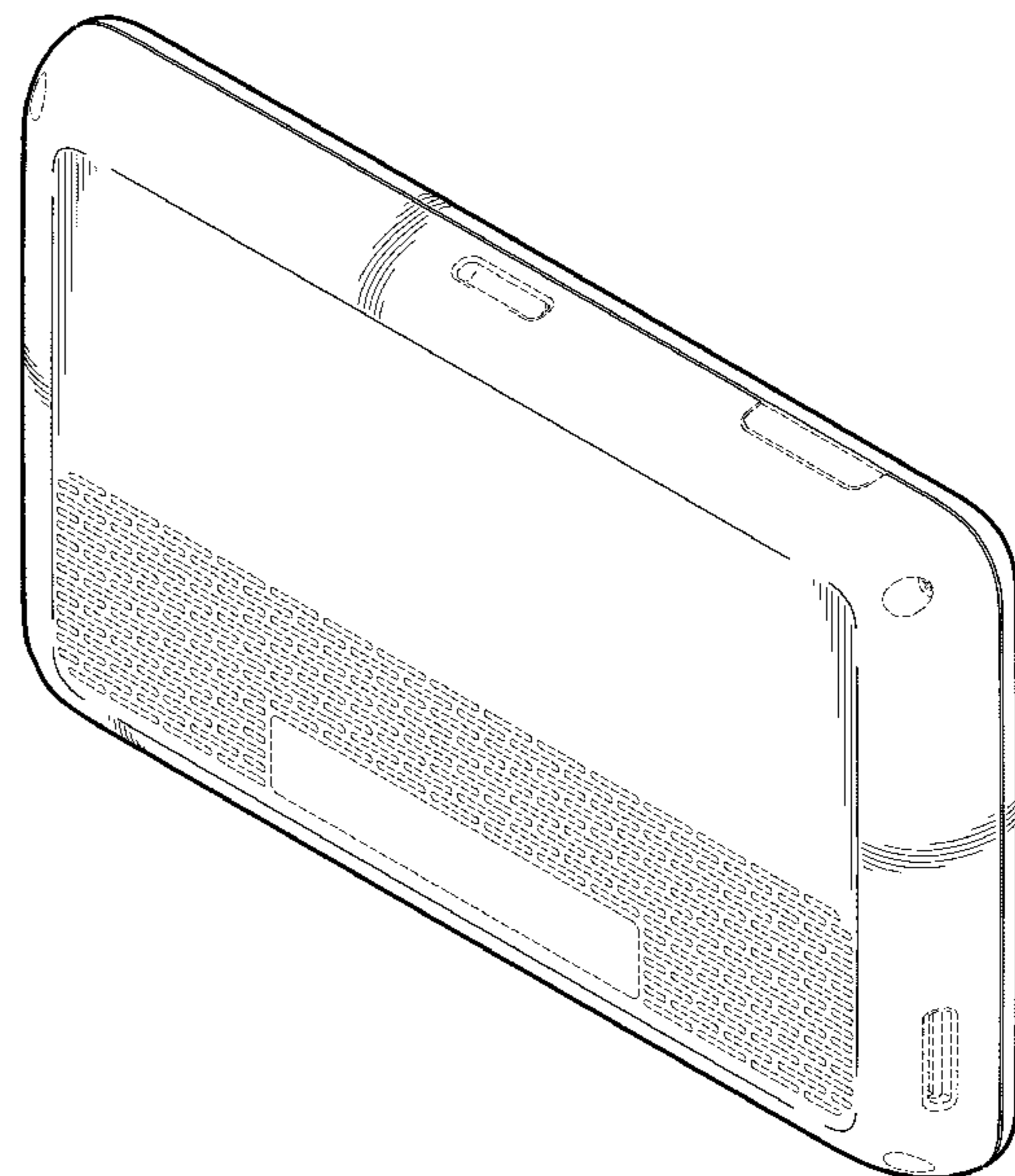
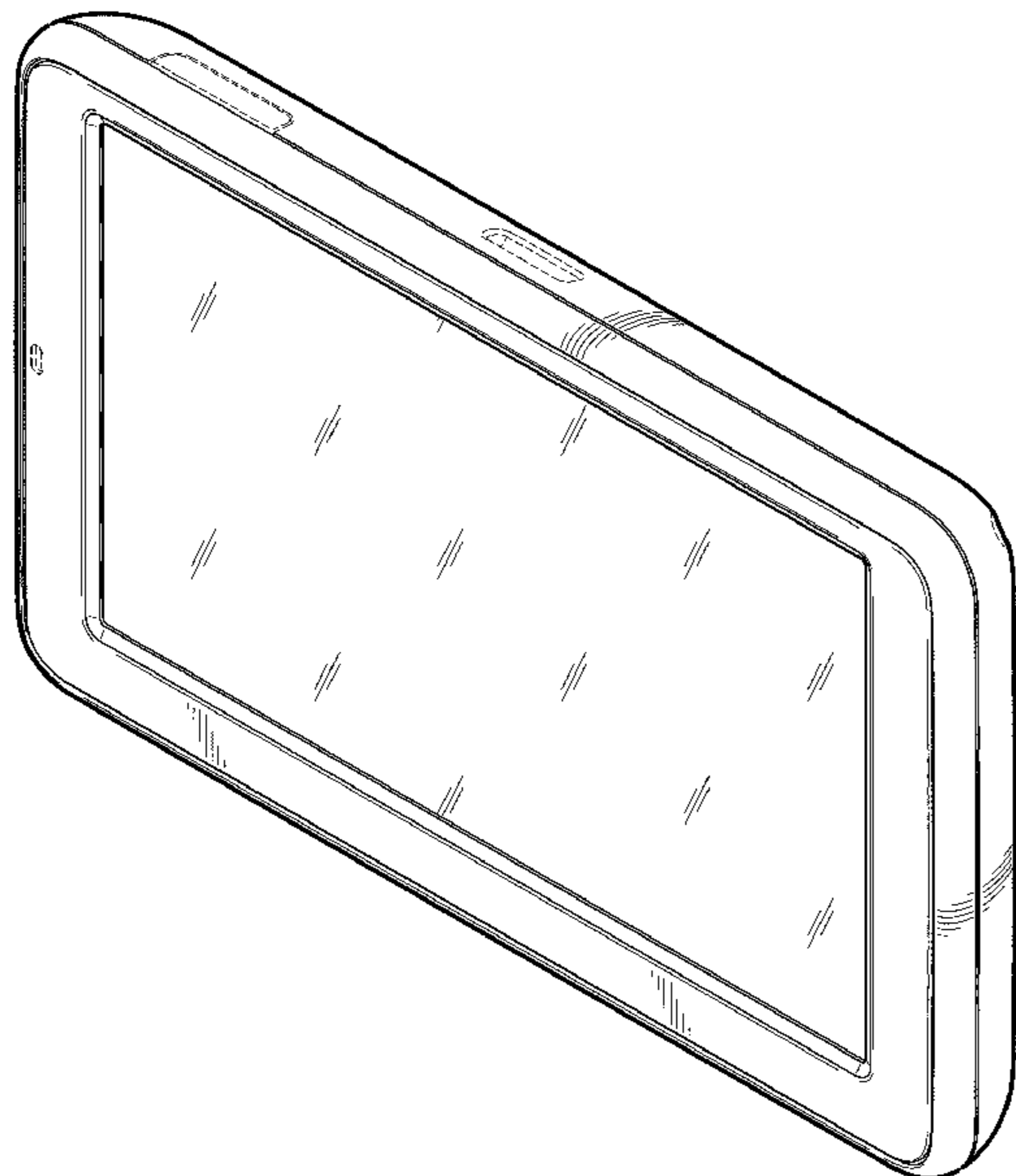


Fig. 1

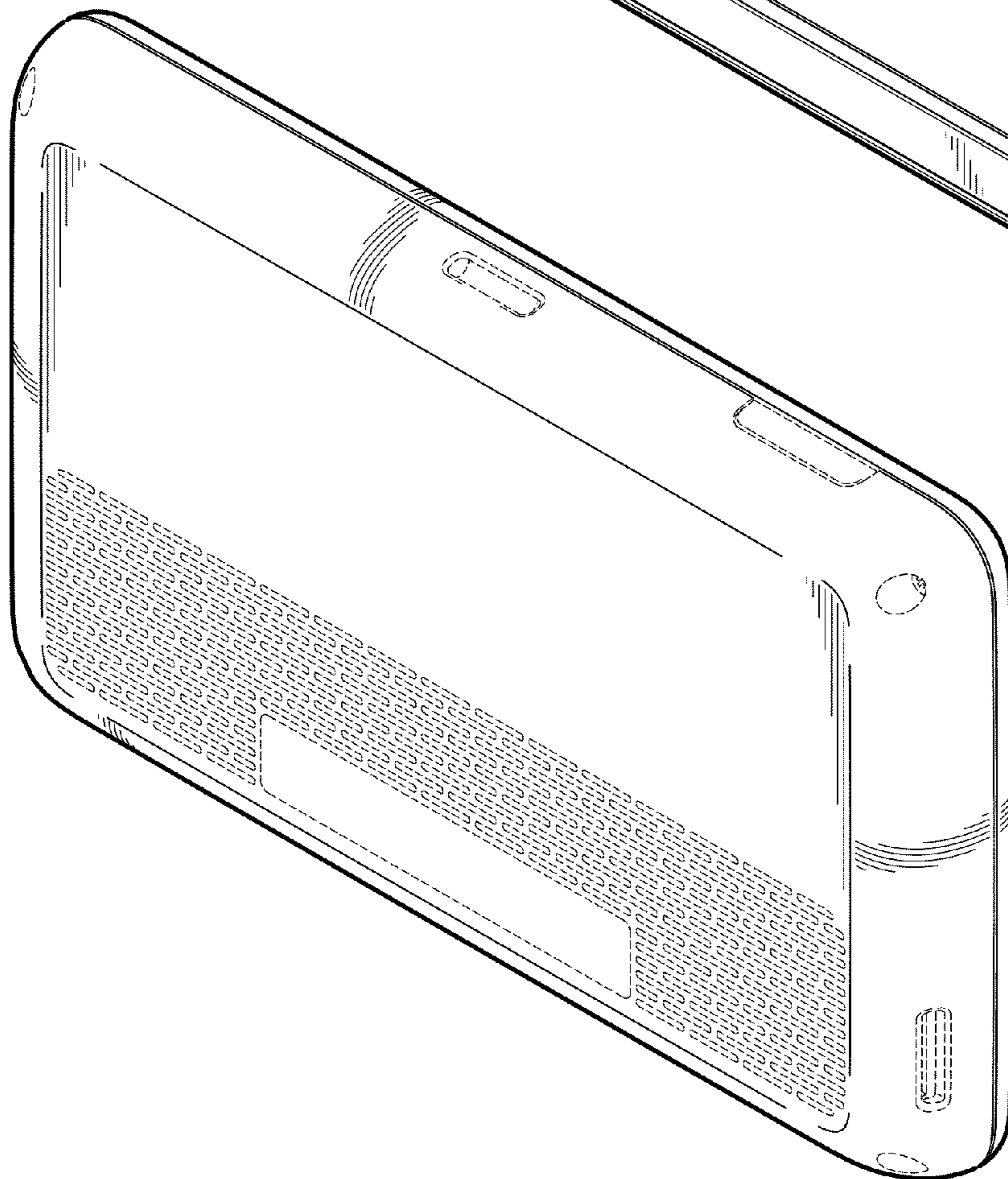
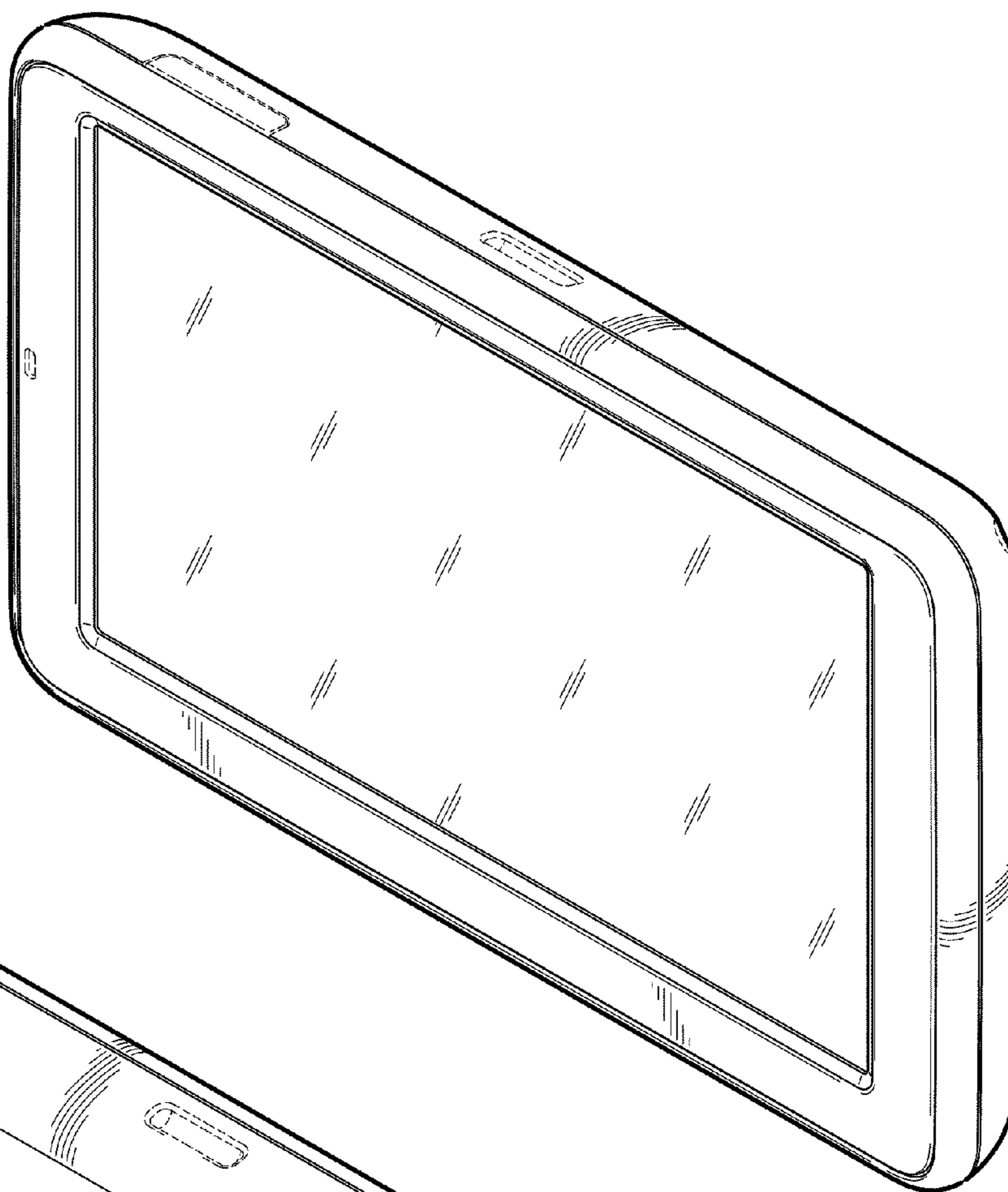


Fig. 2

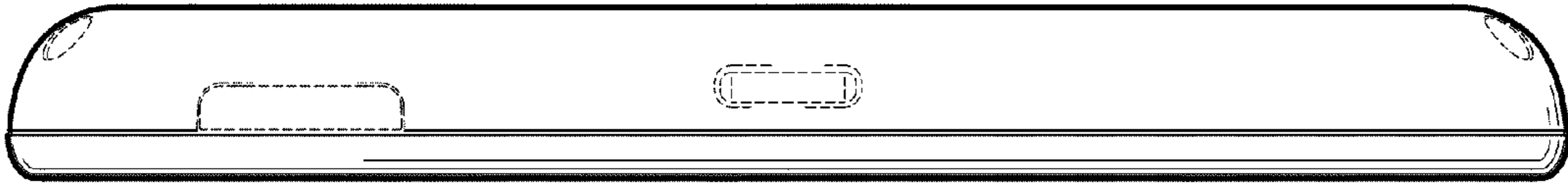


Fig. 3

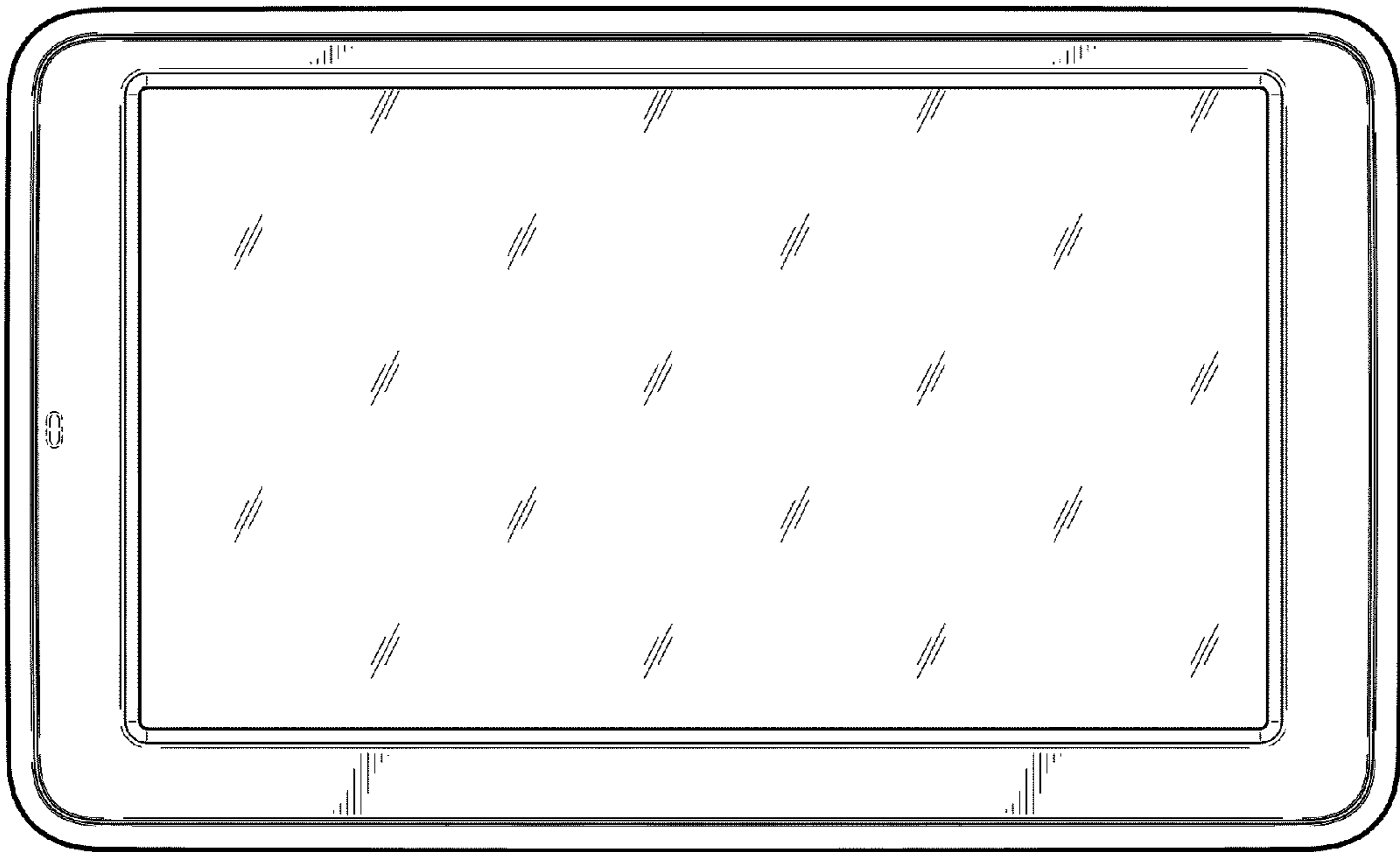


Fig. 4

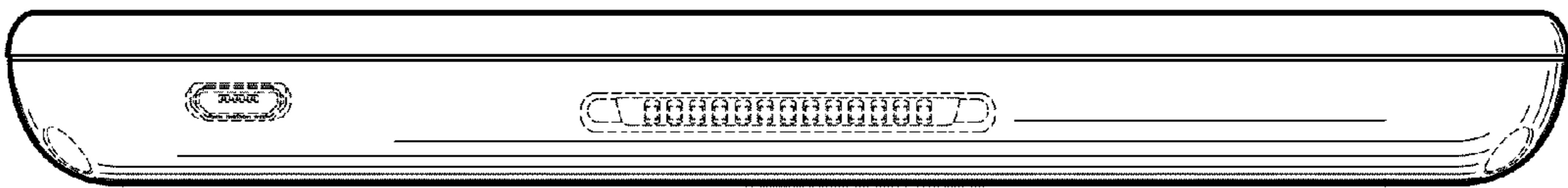


Fig. 5

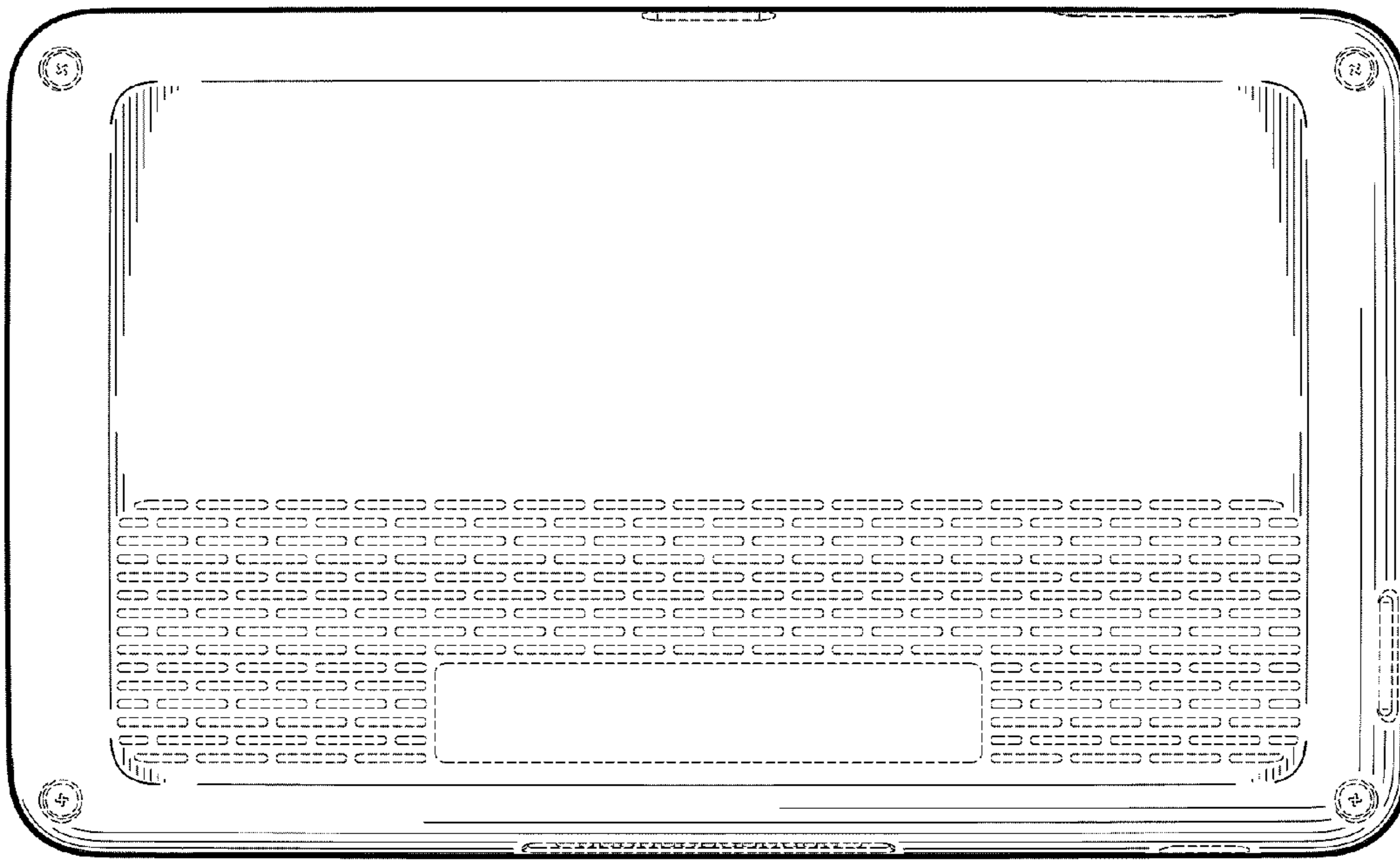


Fig. 6

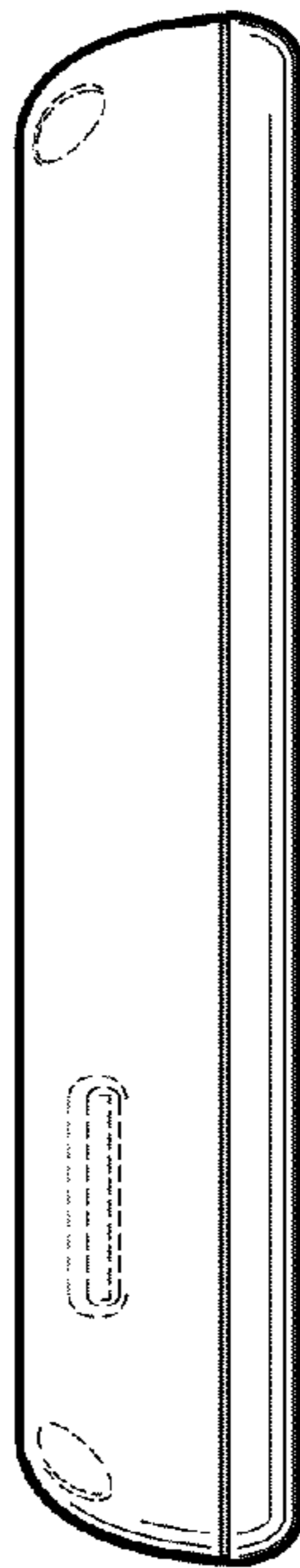


Fig. 7

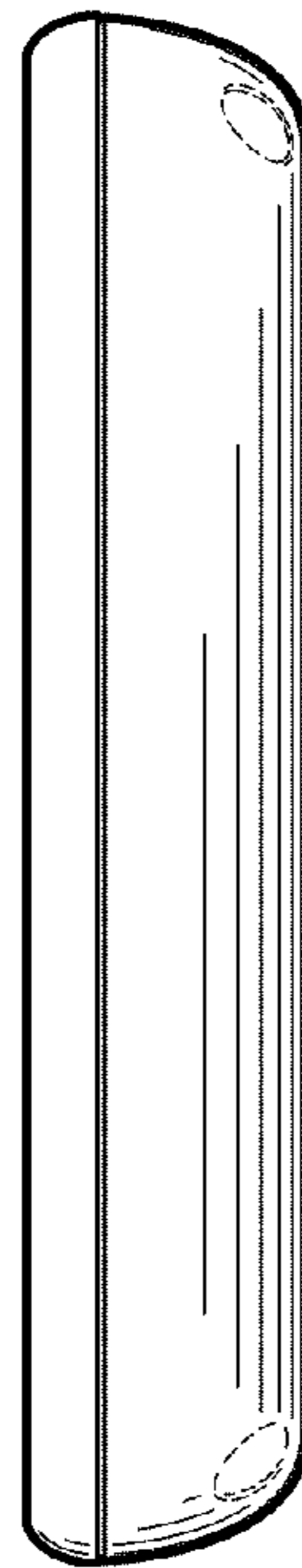


Fig. 8