



US00D648229S

(12) **United States Design Patent**
Moritz

(10) **Patent No.:** **US D648,229 S**

(45) **Date of Patent:** **** Nov. 8, 2011**

(54) **WATCH**

(75) **Inventor:** **Hans Karsten Moritz**, Foothill Ranch,
CA (US)

(73) **Assignee:** **Oakley, Inc.**, Foothill Ranch, CA (US)

(**) **Term:** **14 Years**

(21) **Appl. No.:** **29/349,811**

(22) **Filed:** **May 4, 2010**

(51) **LOC (9) Cl.** **10-02**

(52) **U.S. Cl.** **D10/38**

(58) **Field of Classification Search** D10/30-39,
D10/122-132; 368/276, 281, 282, 285, 223,
368/228, 232, 80

See application file for complete search history.

(56) **References Cited**

U.S. PATENT DOCUMENTS

D30,937 S *	6/1899	Gillam	D10/126
D32,683 S *	5/1900	Baldwin	D10/126
1,940,568 A	12/1933	Thurmond		
D218,946 S *	10/1970	Worthington	D10/25
D251,897 S *	5/1979	Davidson	D10/39
D286,754 S *	11/1986	Manfredi	D10/39
D311,149 S *	10/1990	Robert	D10/126
D327,859 S *	7/1992	Robert	D10/126
D351,355 S *	10/1994	Kaneko	D10/126
D380,403 S *	7/1997	Svarnias et al.	D10/126
D443,531 S *	6/2001	Bulgari	D10/32
D447,427 S *	9/2001	Finazzi	D10/39
6,679,624 B1 *	1/2004	Mouawad	368/216
D525,537 S *	7/2006	Monachon	D10/32
D538,182 S	3/2007	Lalo		
D556,604 S	12/2007	Yee et al.		
D557,619 S	12/2007	Moritz		

D569,276 S *	5/2008	Scheufele	D10/39
D574,263 S	8/2008	Loth		
D577,611 S *	9/2008	Lalo	D10/32
D581,812 S	12/2008	Moritz		
D584,173 S *	1/2009	Monachon	D10/39
D586,667 S *	2/2009	Brady et al.	D10/32
7,494,270 B2 *	2/2009	Hiranuma et al.	368/288
D594,352 S *	6/2009	Belamich	D10/39
D605,531 S *	12/2009	Salmon	D10/31
D609,583 S *	2/2010	Lalo	D10/32
D610,473 S	2/2010	Goodman		
D611,865 S *	3/2010	Loth	D10/126
D613,620 S *	4/2010	Loth	D10/32
D616,310 S *	5/2010	Loth	D10/32
D623,541 S *	9/2010	Loth	D10/32

* cited by examiner

Primary Examiner — Lucy Lieberman

(74) *Attorney, Agent, or Firm* — Knobbe Martens Olson & Bear, LLP

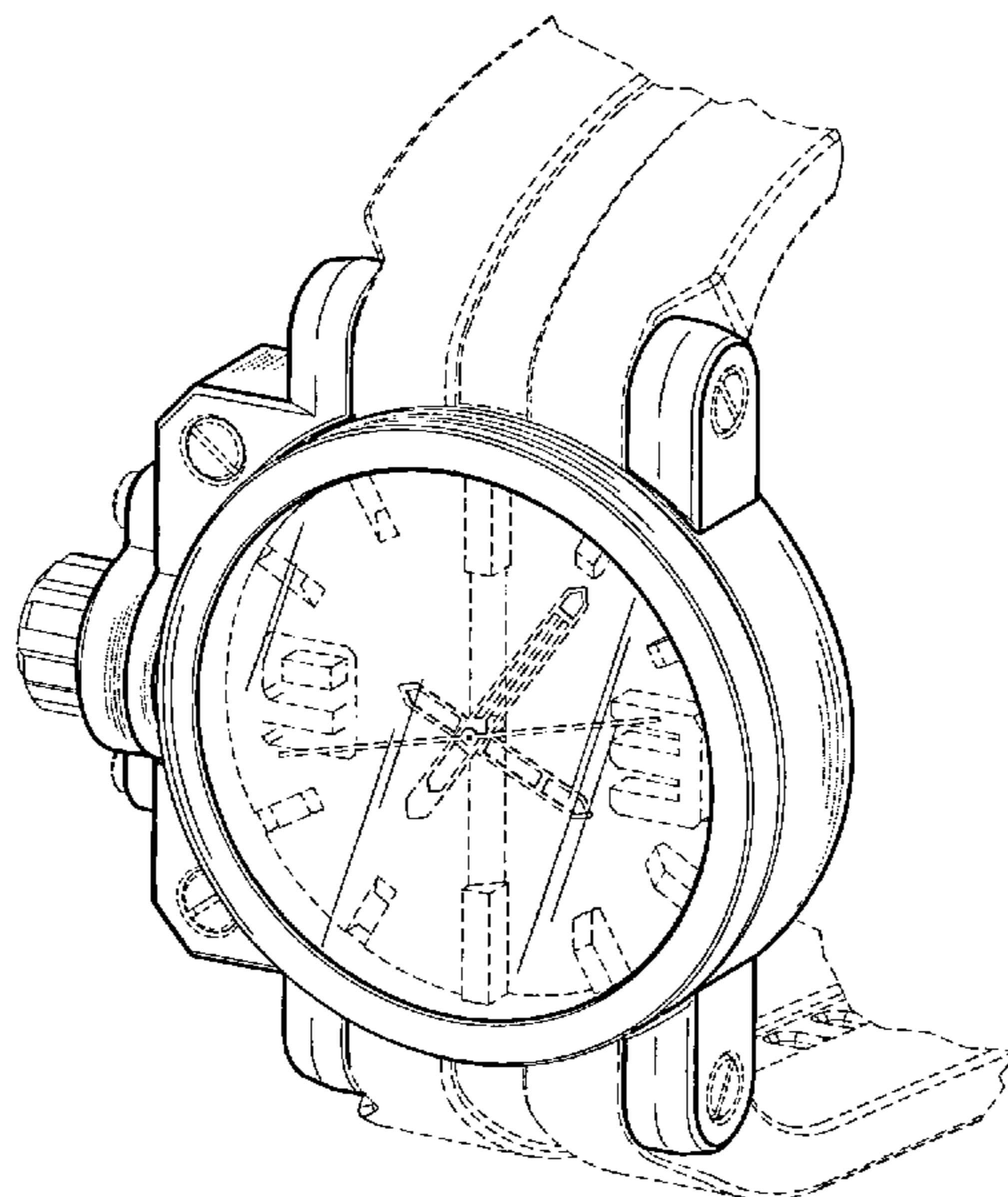
(57) **CLAIM**

The ornamental design for a watch, as shown and described.

DESCRIPTION

FIG. 1 is a front perspective view of the watch and watch components of the present invention; FIG. 2 is a front elevational view thereof; FIG. 3 is a rear elevational view thereof; FIG. 4 is a left-side elevational view thereof; FIG. 5 is a right-side elevational view thereof; FIG. 6 is a top plan view thereof; and, FIG. 7 is a bottom plan view thereof. Phantom lining, where utilized, is for illustrative purposes only and is not intended to limit the claimed design to the features shown in phantom.

1 Claim, 4 Drawing Sheets



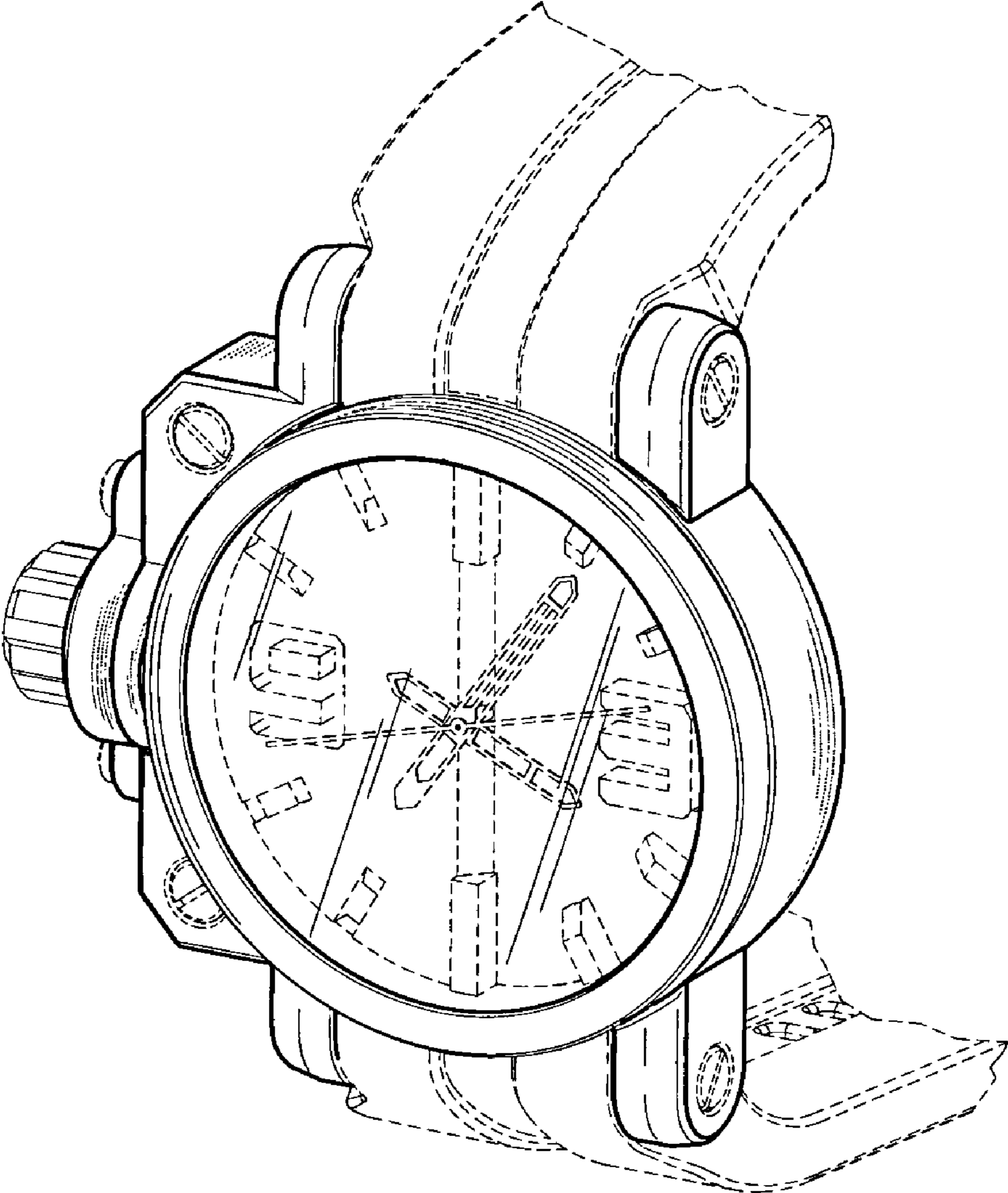


FIG. 1

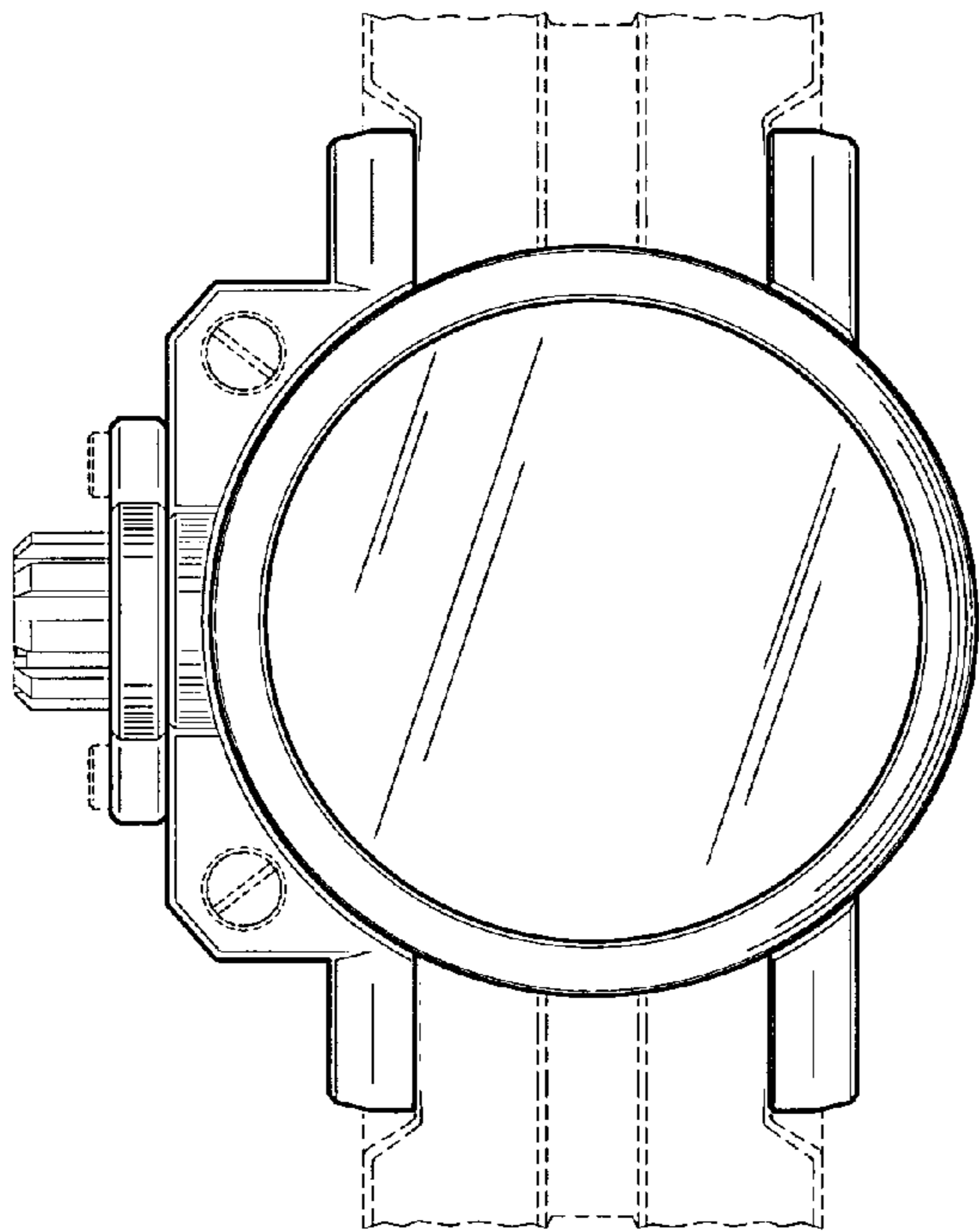


FIG. 2

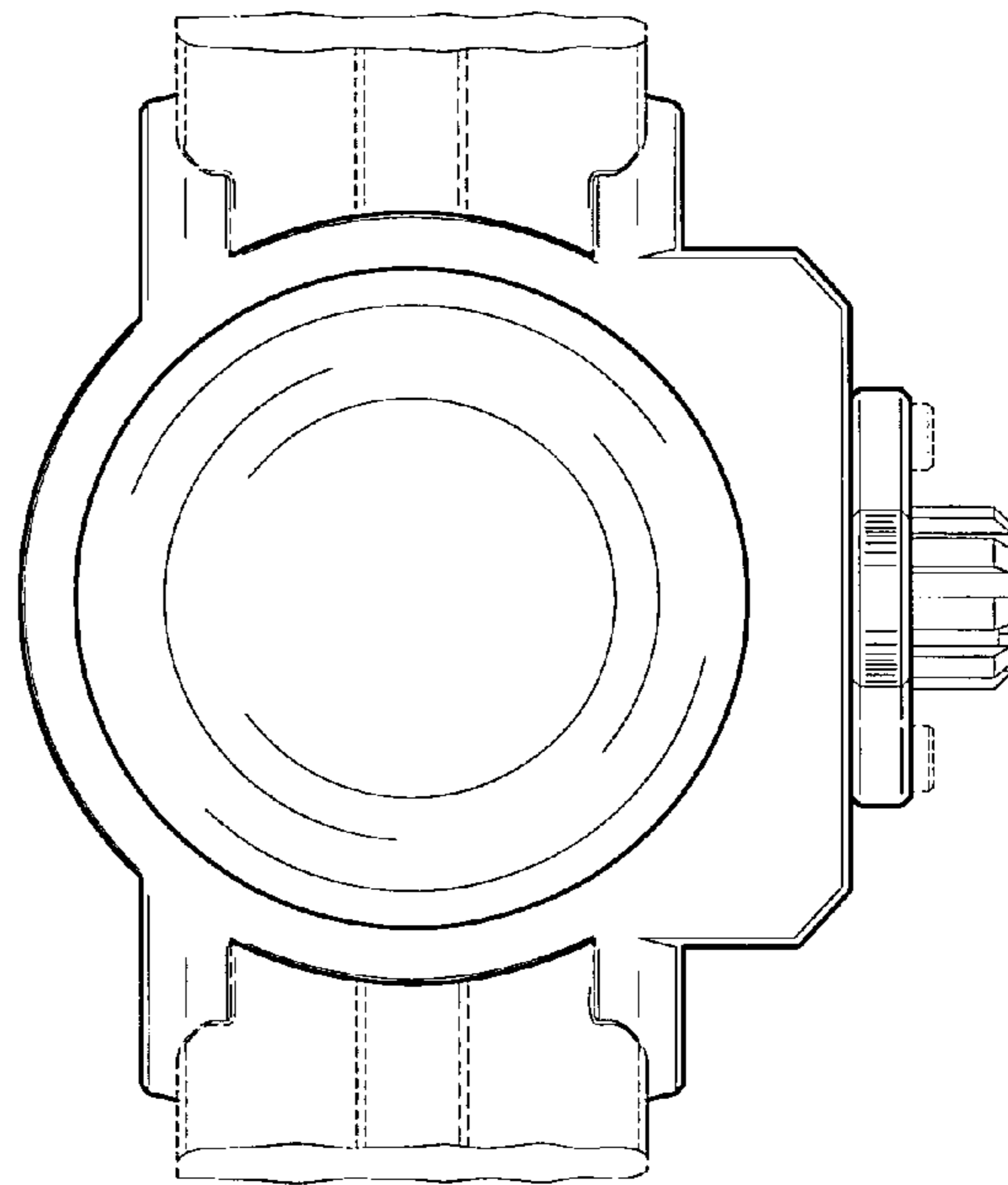


FIG. 3

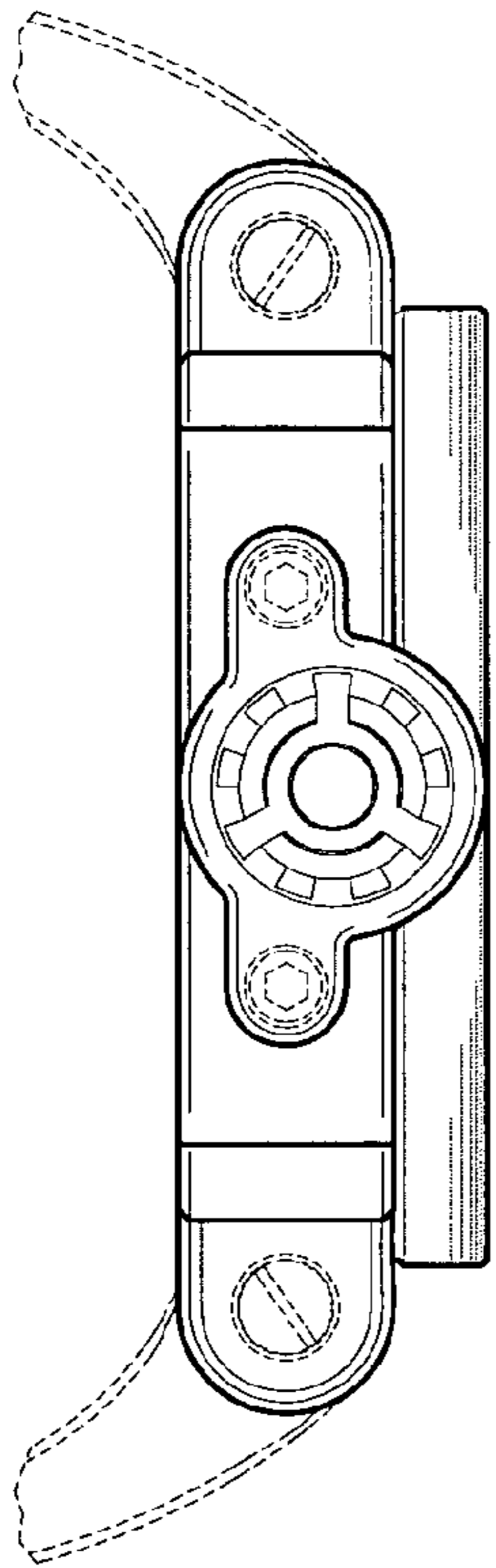


FIG. 4

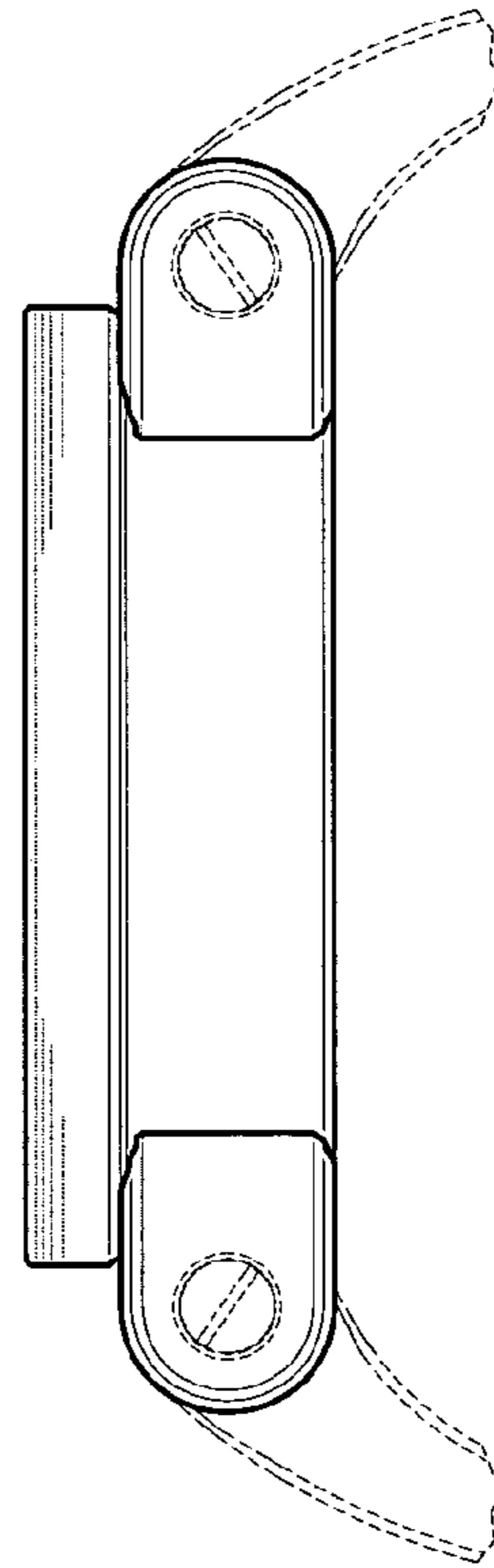


FIG. 5

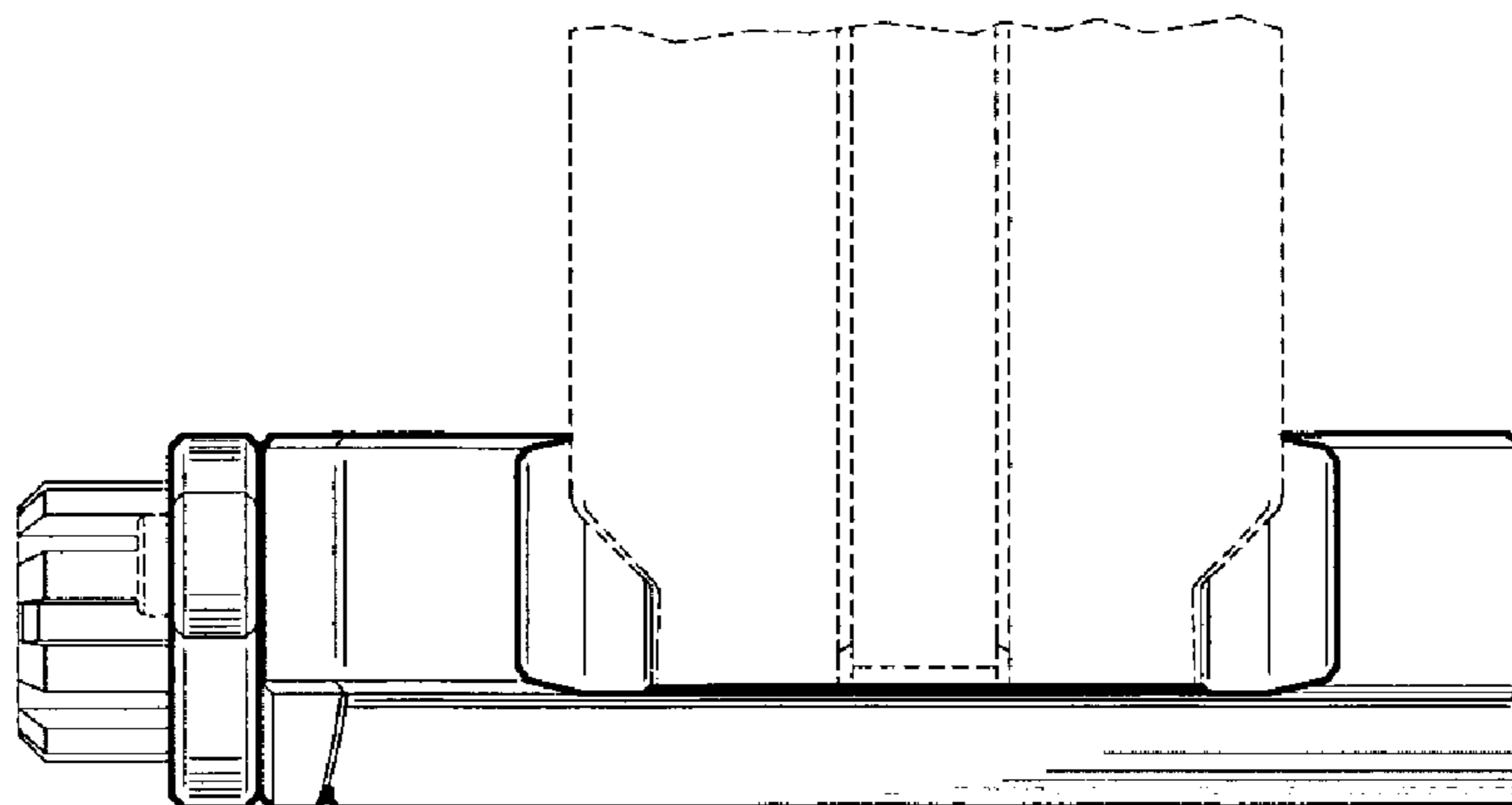


FIG. 6

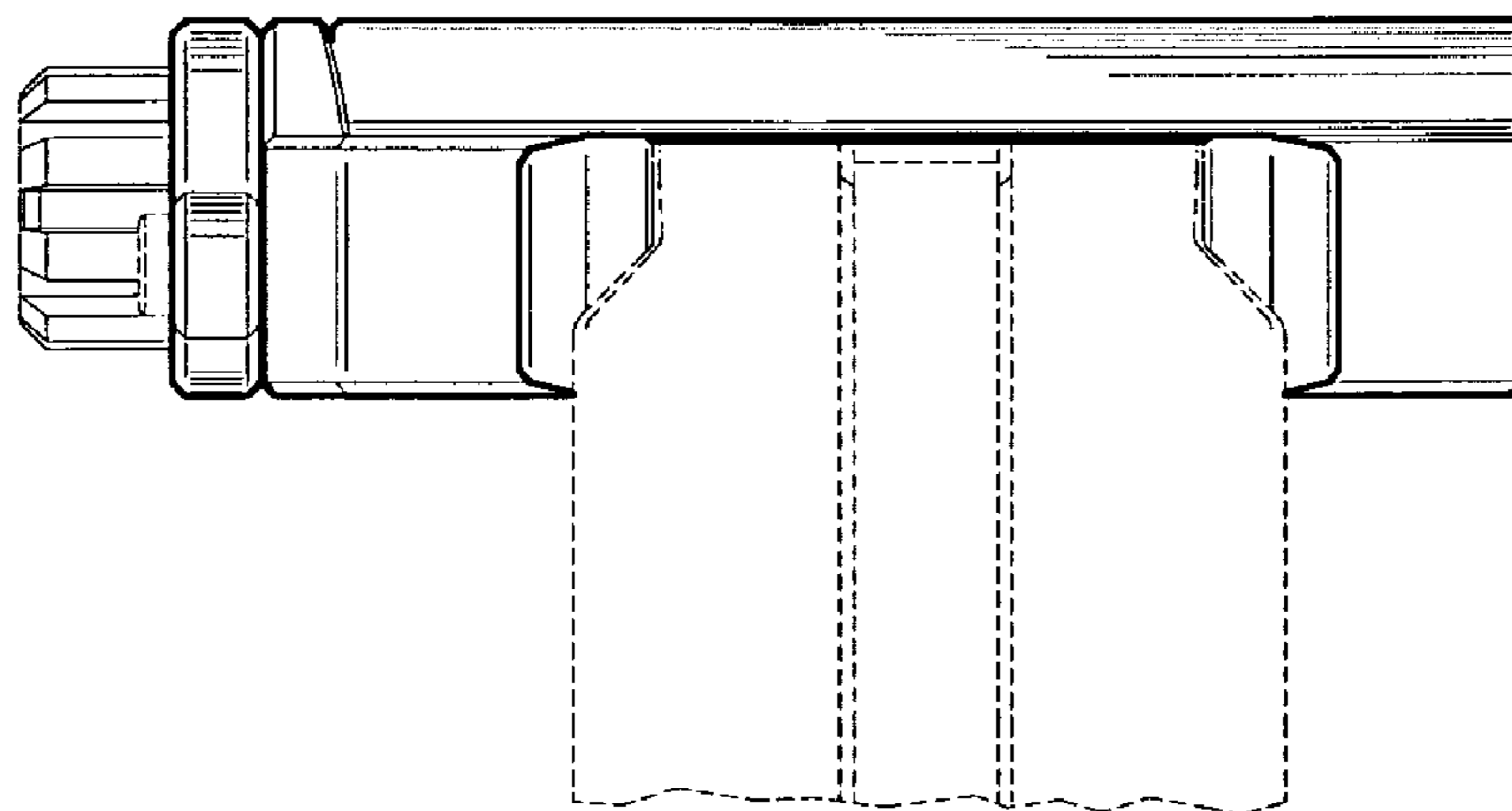


FIG. 7