



US00D648228S

(12) **United States Design Patent**
Jorst et al.

(10) **Patent No.:** **US D648,228 S**

(45) **Date of Patent:** **** *Nov. 8, 2011**

(54) **WATCH**

(76) Inventors: **Charlotte Kjolbe Jorst**, Reno, NV
(US); **Henrik Jorst**, Reno, NV (US)

(*) Notice: This patent is subject to a terminal disclaimer.

(**) Term: **14 Years**

(21) Appl. No.: **29/372,252**

(22) Filed: **Nov. 2, 2010**

(51) **LOC (9) Cl.** **10-02**

(52) **U.S. Cl.** **D10/32**

(58) **Field of Classification Search** D10/30-39;
368/276, 282, 285, 281
See application file for complete search history.

D444,078 S *	6/2001	Strasser	D10/39
D449,998 S *	11/2001	Butler	D10/32
D459,241 S *	6/2002	Bodino	D10/32
D472,160 S *	3/2003	Modolo	D10/32
D512,922 S *	12/2005	Yan	D10/32
D538,182 S *	3/2007	Lalo	D10/32
D552,491 S *	10/2007	Vidal	D10/38
D559,123 S *	1/2008	Modolo	D10/32
D563,244 S *	3/2008	Wei	D10/38
D566,581 S *	4/2008	Giannini	D10/32
D581,811 S *	12/2008	Messmer et al.	D10/32
D582,793 S *	12/2008	Lalo	D10/38
D601,439 S *	10/2009	Jorst et al.	D10/32
D614,511 S *	4/2010	Jorst et al.	D10/32

* cited by examiner

Primary Examiner — Lucy Lieberman

(57) **CLAIM**

The ornamental design for a watch, as shown and described.

(56) **References Cited**

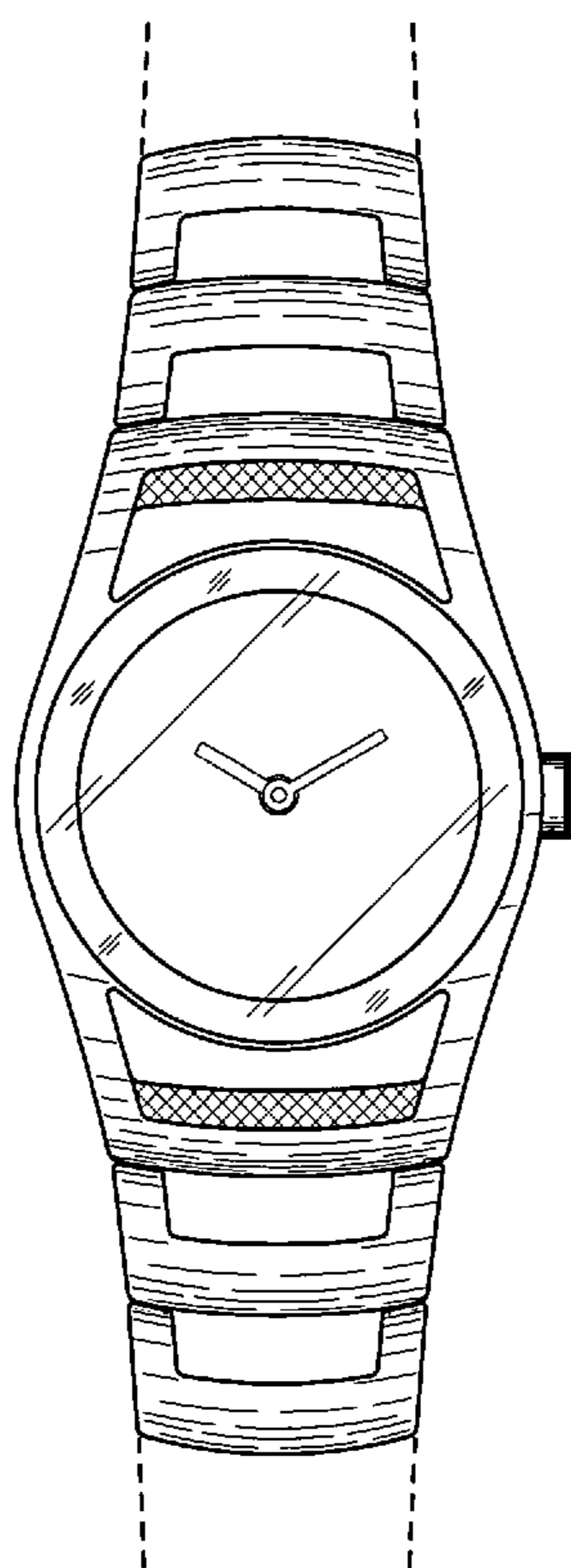
U.S. PATENT DOCUMENTS

D83,764 S *	3/1931	Stegeman	D10/32
3,740,944 A *	6/1973	Chopard	368/281
3,901,023 A *	8/1975	Uebelhardt	368/281
D399,757 S *	10/1998	Riley et al.	D10/30
D399,758 S *	10/1998	Mendoza	D10/30
D417,158 S *	11/1999	Krauss	D10/30
D430,040 S *	8/2000	Fox et al.	D10/30
D431,785 S *	10/2000	Tavenas	D10/32
D436,047 S *	1/2001	Giardiello	D10/32
D440,888 S *	4/2001	Strasser	D10/39
6,234,668 B1 *	5/2001	Cooper	368/281

DESCRIPTION

FIG. 1 is a front elevation of a watch showing our new design; FIG. 2 is a right side elevation thereof; FIG. 3 is a left side elevation thereof; FIG. 4 is a rear elevation thereof; FIG. 5 is a front and right side perspective view thereof; and, FIG. 6 is an end view thereof.
The broken lines in the drawings are for illustrative purposes only and do not form part of the claimed design.

1 Claim, 2 Drawing Sheets



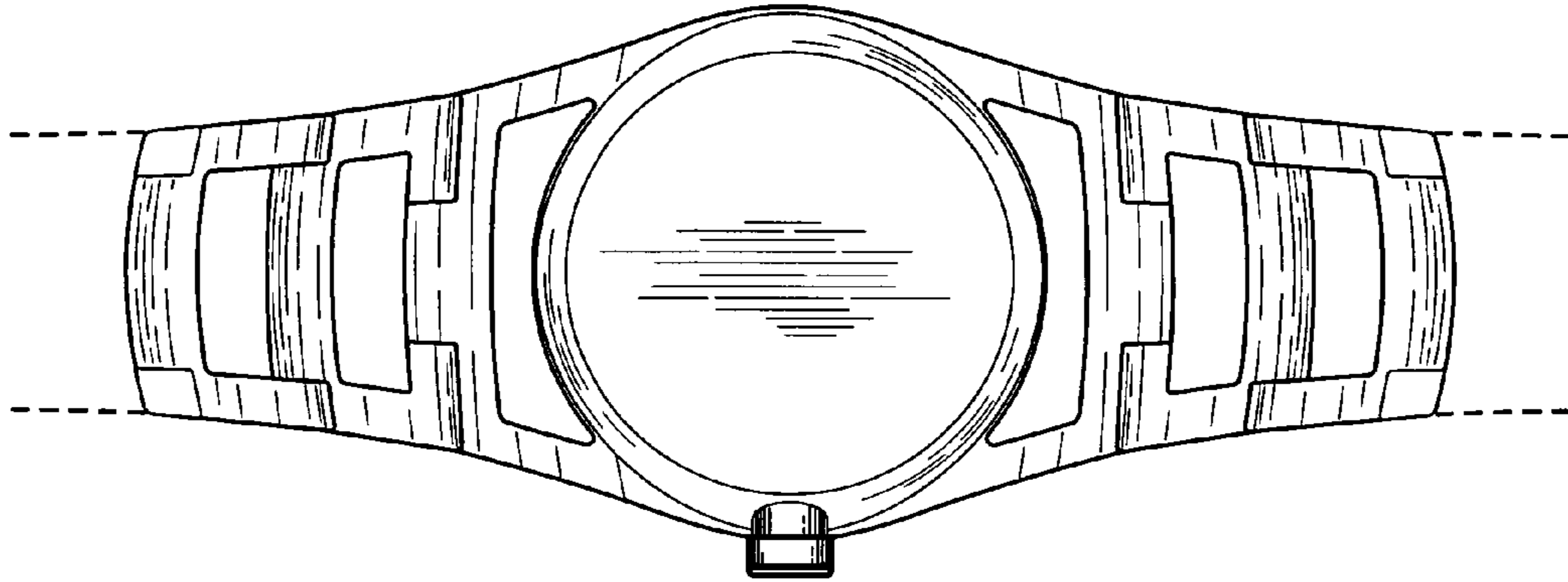


FIG 4

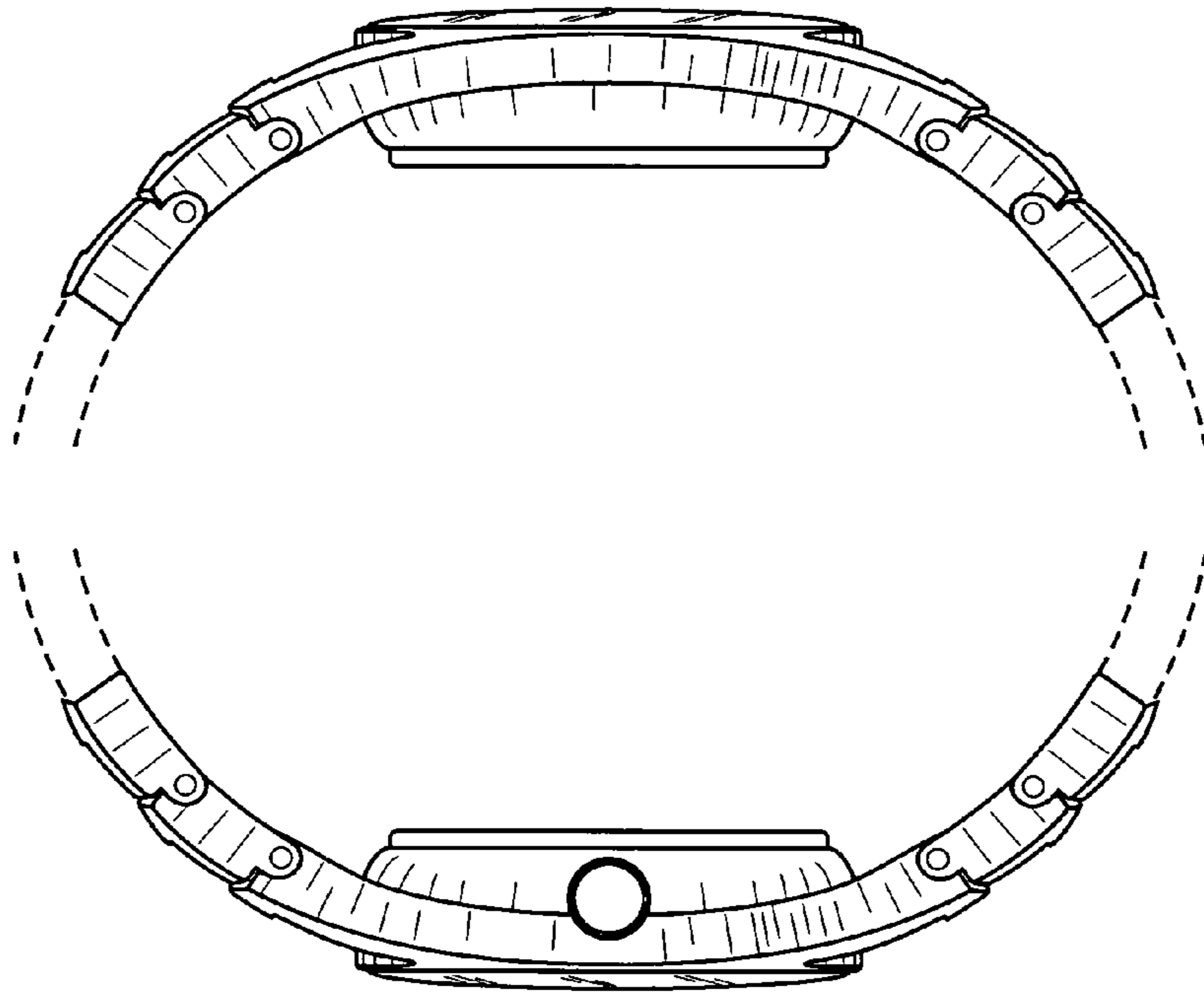


FIG 3

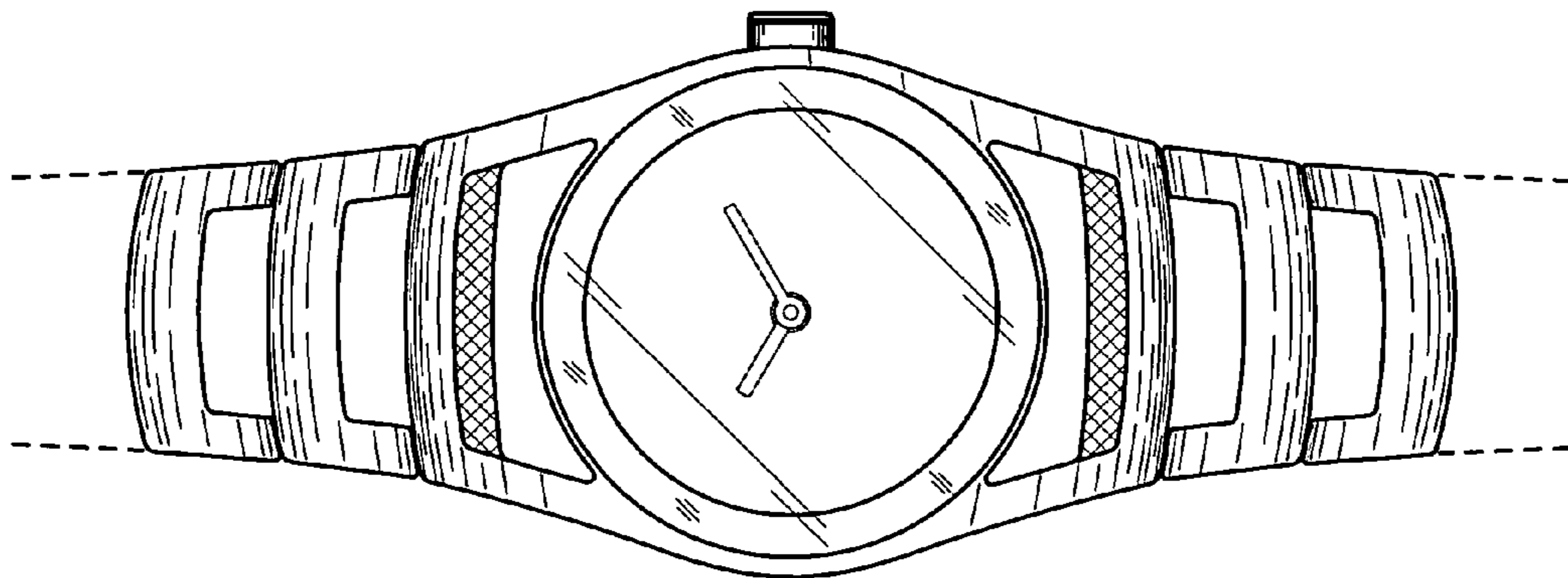


FIG 1

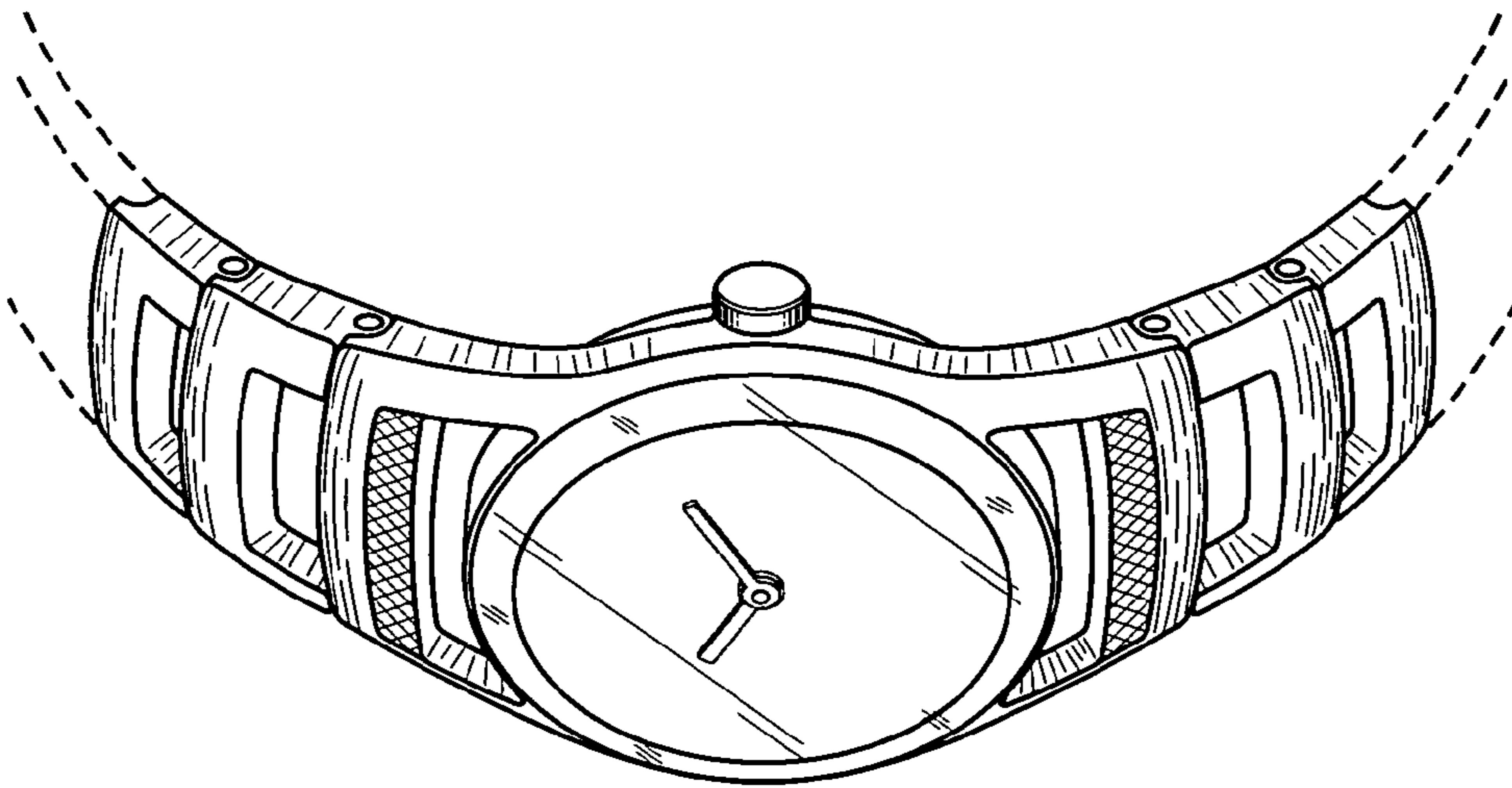


FIG 5

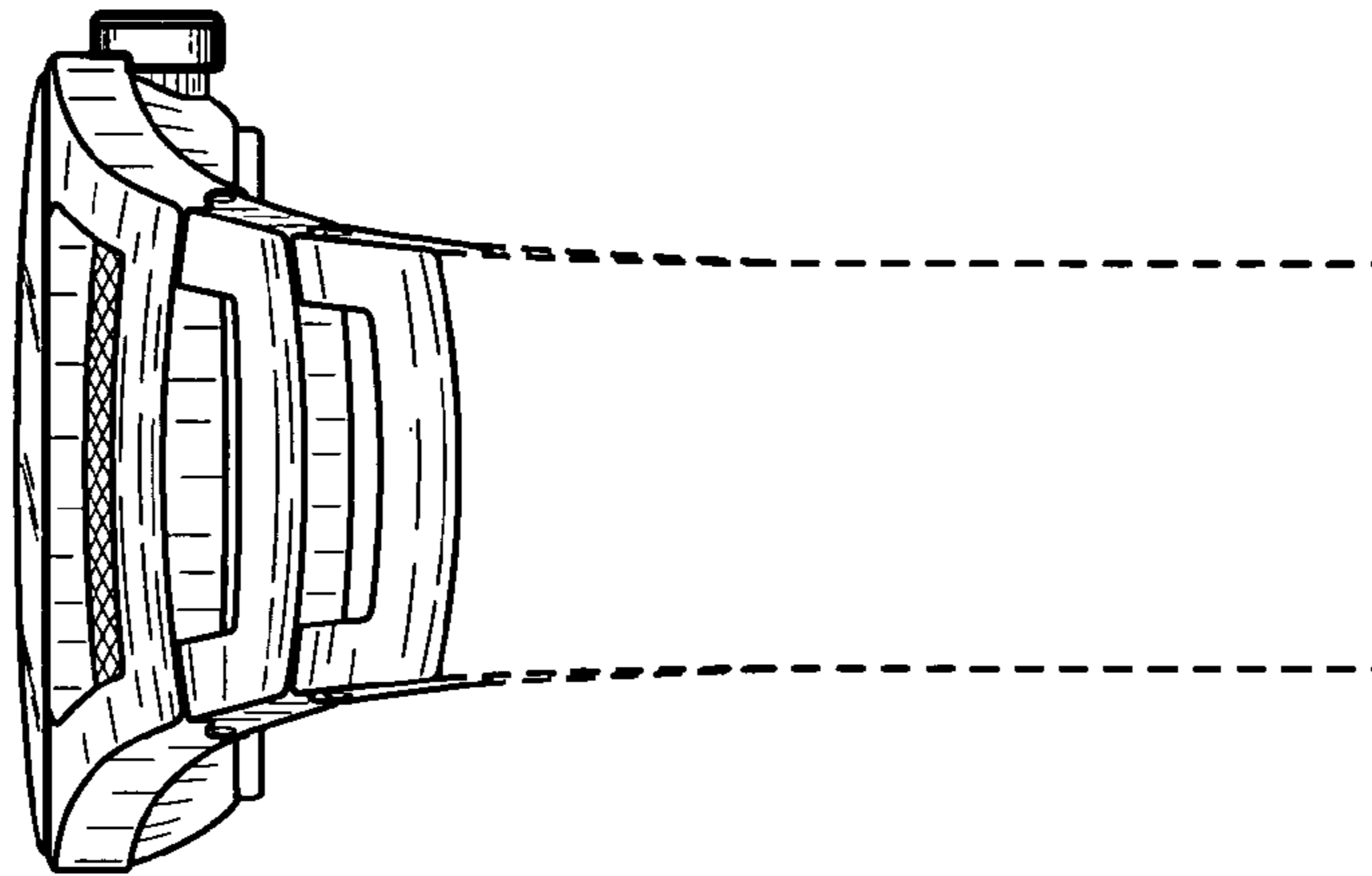


FIG 6