



US00D648227S

(12) **United States Design Patent**
Grotell

(10) **Patent No.:** **US D648,227 S**

(45) **Date of Patent:** **** Nov. 8, 2011**

(54) **WATCH**

(75) **Inventor:** **Steven M. Grotell**, New York, NY (US)

(73) **Assignee:** **Poetic Time, LLC**, New York, NY (US)

(**) **Term:** **14 Years**

(21) **Appl. No.:** **29/393,132**

(22) **Filed:** **May 31, 2011**

(51) **LOC (9) Cl.** **10-02**

(52) **U.S. Cl.** **D10/31; D10/38**

(58) **Field of Classification Search** D10/30-39;
368/276, 281, 282, 283, 285, 80, 223, 228,
368/232, 88

See application file for complete search history.

Graff Diamond Swan watch, presented at the Oscars in Los Angeles, California, Mar. 25, 2011.

Chanel Camelia watch, launched at the Basel watch and jewelry exhibition, Basel, Switzerland, in Mar. 2004.

Yurman Madison watch, launched at the Couture Jewelry Show, Las Vegas, Nevada, Jun. 2008.

Cartier Wrist Watch, 1912.

Cartier Broach Watch, 1918.

Cartier Pendant Watch, 1920.

* cited by examiner

Primary Examiner — Lucy Lieberman

(74) *Attorney, Agent, or Firm* — Ostrager Chong Flaherty & Broitman P.C.

(56) **References Cited**

U.S. PATENT DOCUMENTS

D42,449	S	*	4/1912	Wittnauer	D10/38
D73,323	S	*	8/1927	Kislinger	D10/30
2,473,226	A	*	6/1949	Sheldon	224/219
D157,607	S	*	3/1950	Lachman	D10/38
D210,680	S	*	4/1968	Barlow	D10/39
3,585,794	A	*	6/1971	Klingenberg	368/281
D271,472	S	*	11/1983	Malamoud	D10/38
D303,771	S	*	10/1989	Chan	D10/40
D312,220	S	*	11/1990	Kaneko	D10/5
D364,819	S	*	12/1995	Wunderman	D10/32
D371,745	S	*	7/1996	Wunderman	D10/32
D390,128	S	*	2/1998	Toribio	D10/32
D408,746	S	*	4/1999	Jorss	D10/33
D470,059	S	*	2/2003	Popowich et al.	D10/30
D509,757	S	*	9/2005	Mok	D10/32
6,944,098	B2	*	9/2005	Rochat et al.	368/88
D518,741	S	*	4/2006	Modolo	D10/32
D531,916	S	*	11/2006	Galli	D10/31
D531,917	S	*	11/2006	Jordi	D10/38
D537,737	S	*	3/2007	Galli	D10/31
D551,093	S	*	9/2007	Hegi	D10/31
D640,143	S	*	6/2011	Virgili	D10/32
D640,573	S	*	6/2011	Giannini	D10/32

OTHER PUBLICATIONS

Piaget Limelight Jazz Party watch, launched at Jan. 2009 SIHH watch exhibition in Geneva, Switzerland.

(57) **CLAIM**

The ornamental design for a watch, as shown and described.

DESCRIPTION

FIG. 1 is a front, right side and top perspective view of a watch in an open position;

FIG. 2 is a front view thereof;

FIG. 3 is a right side view thereof;

FIG. 4 is a bottom view thereof;

FIG. 5 is a top view thereof;

FIG. 6 is a left side view thereof;

FIG. 7 is a back view thereof;

FIG. 8 is a front, right side and top perspective view of the watch shown in FIG. 1 in a closed position;

FIG. 9 is a front view thereof;

FIG. 10 is a right side view thereof;

FIG. 11 is a bottom view thereof;

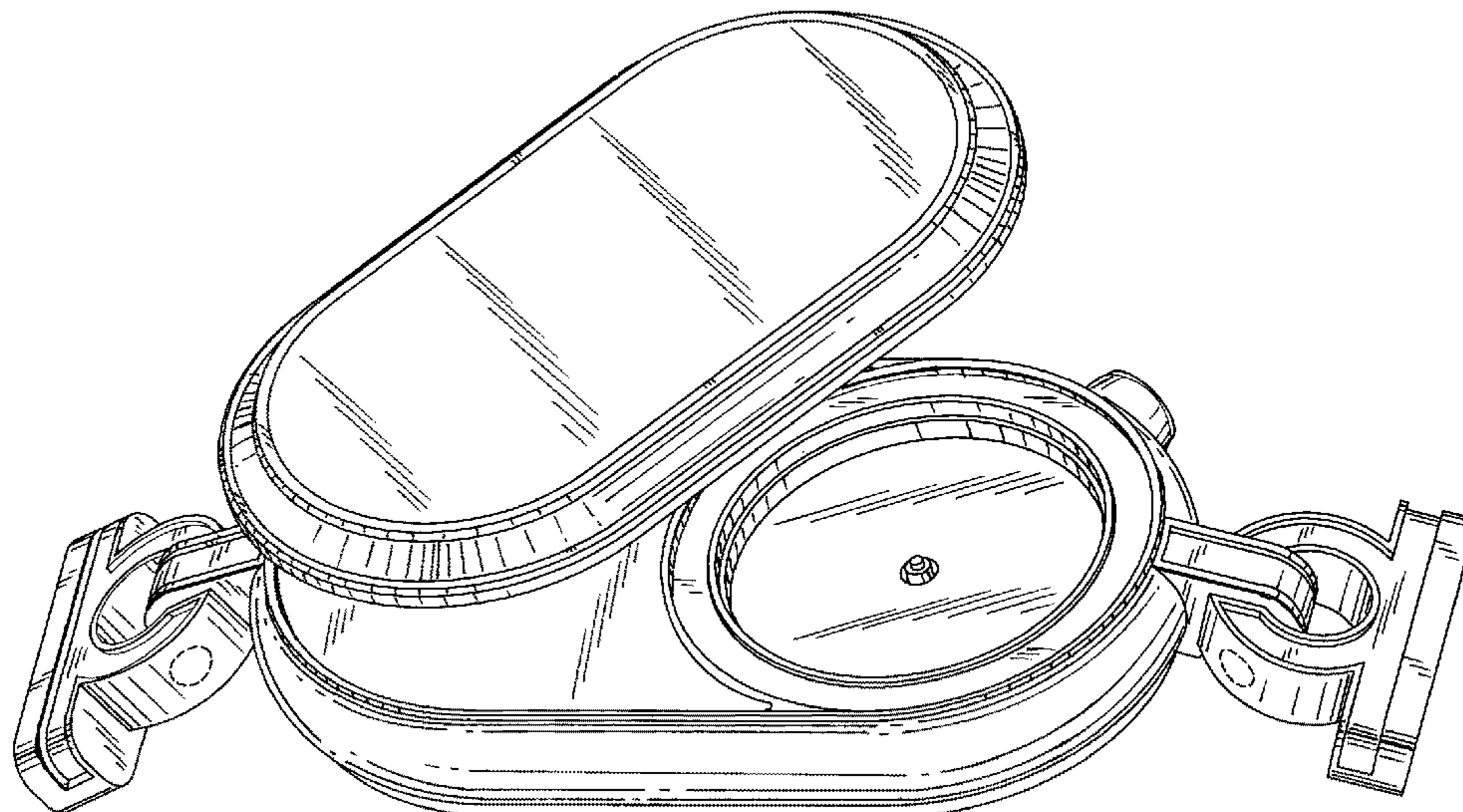
FIG. 12 is a top view thereof;

FIG. 13 is a left side view thereof; and,

FIG. 14 is a back view thereof.

The broken lines in the drawings are used to show portions of the watch that do not form part of the claimed design.

1 Claim, 10 Drawing Sheets



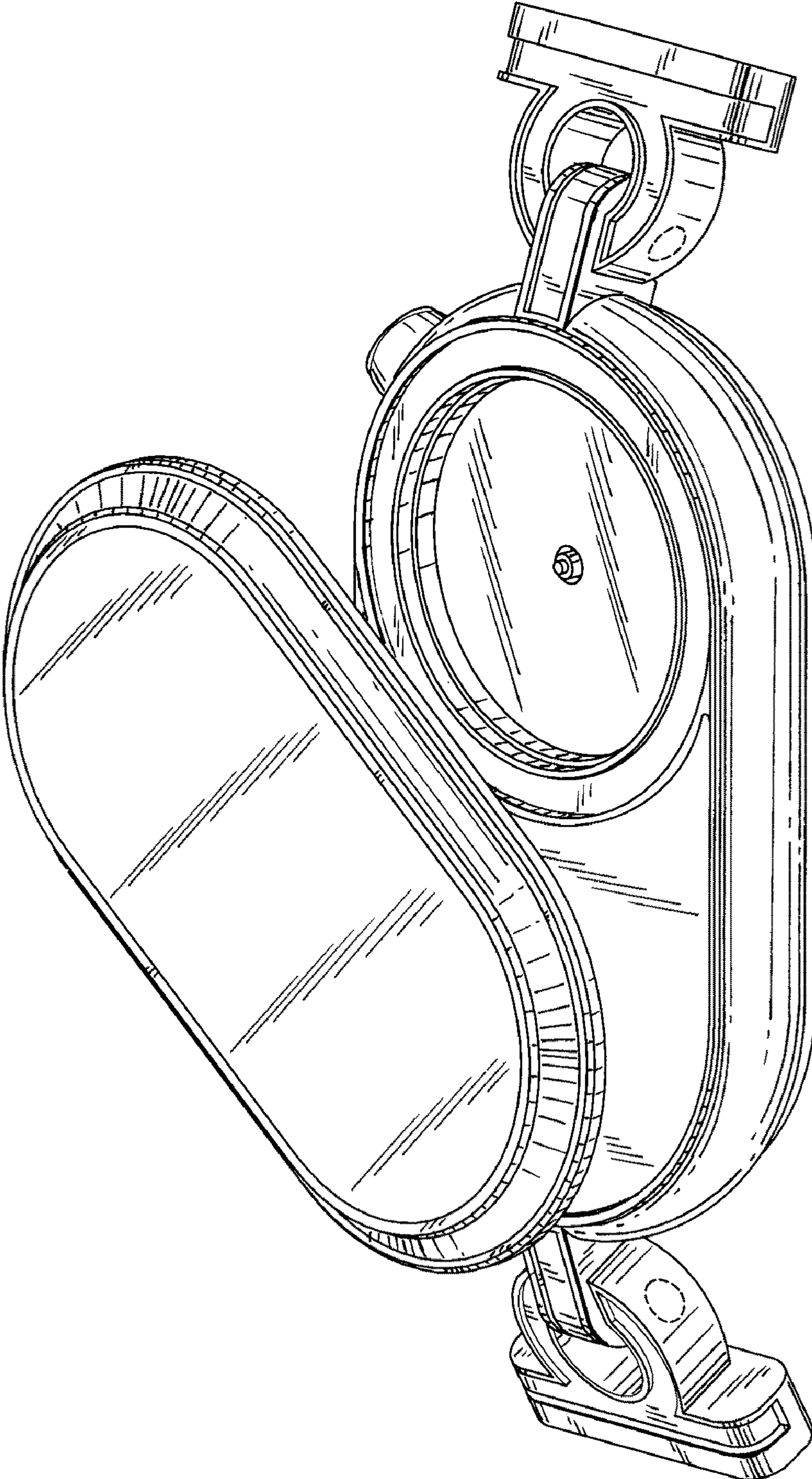


FIG. 1

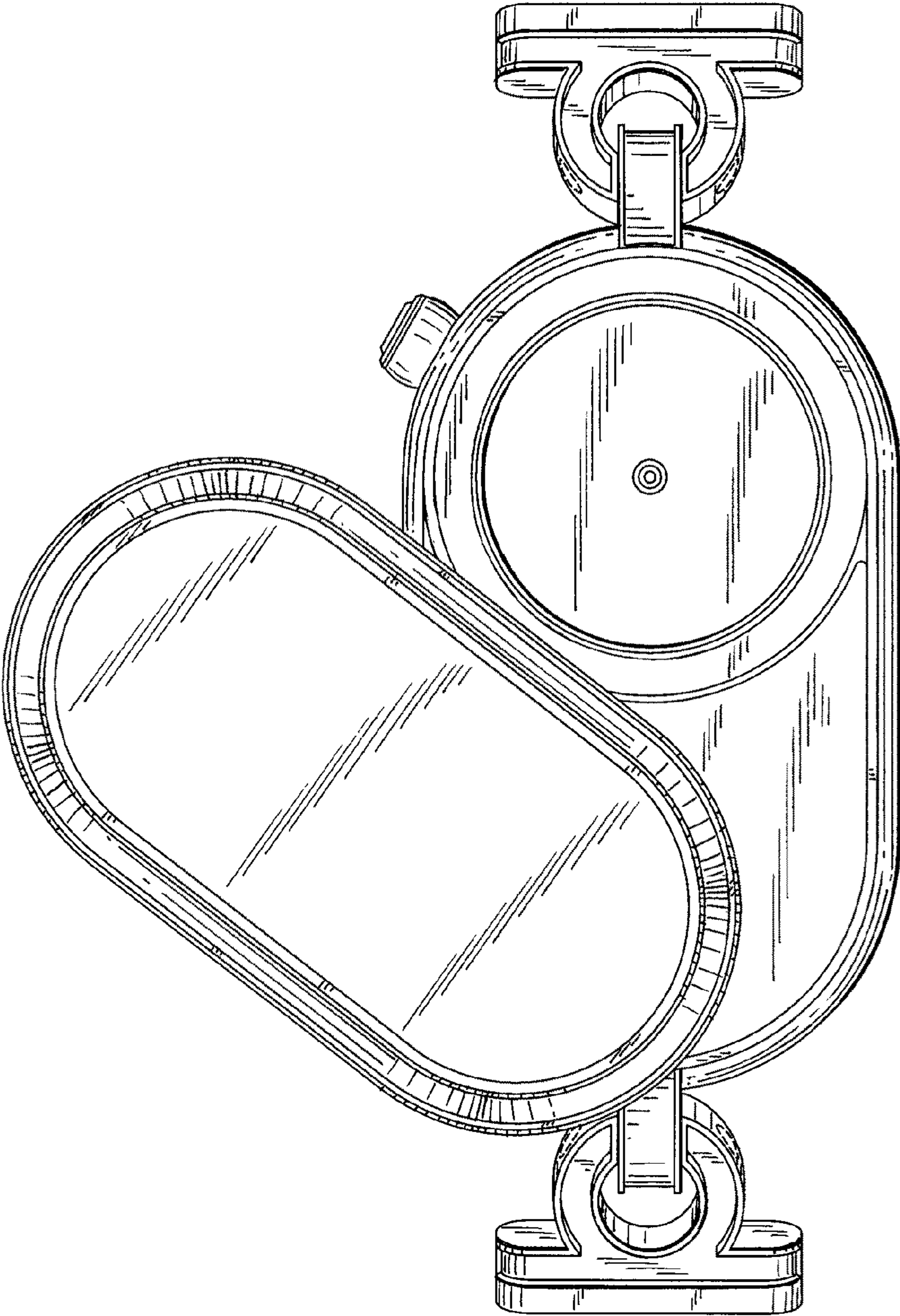
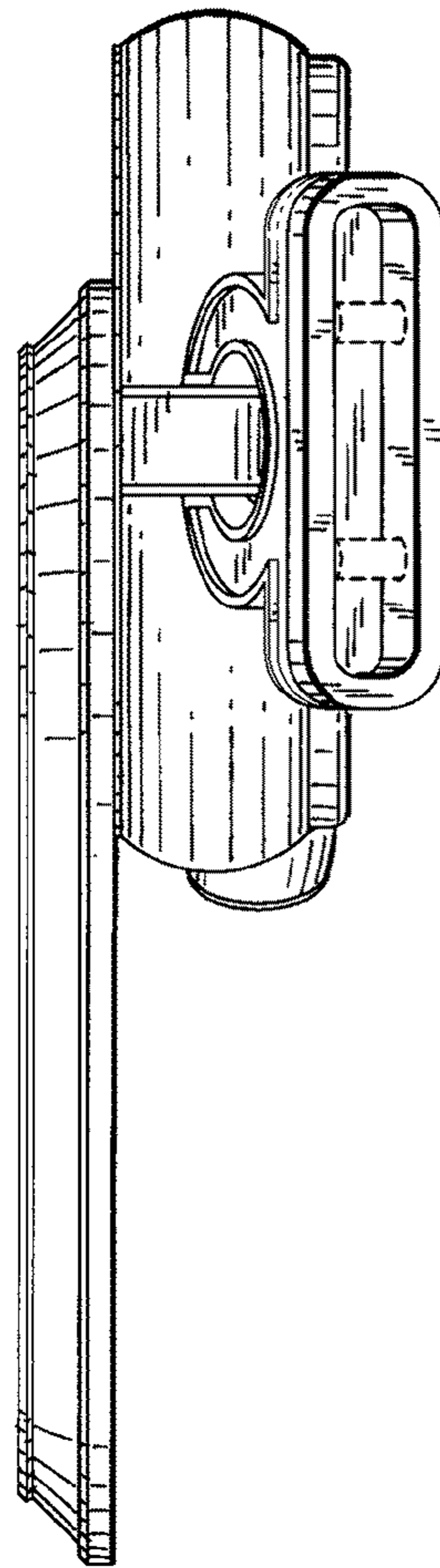


FIG. 2



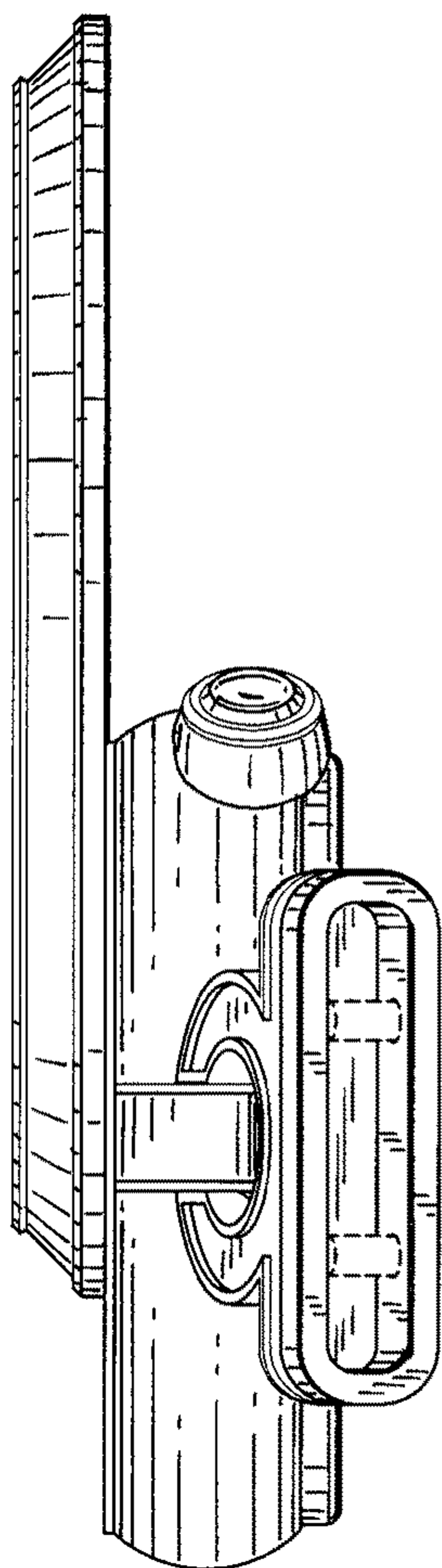


FIG. 5

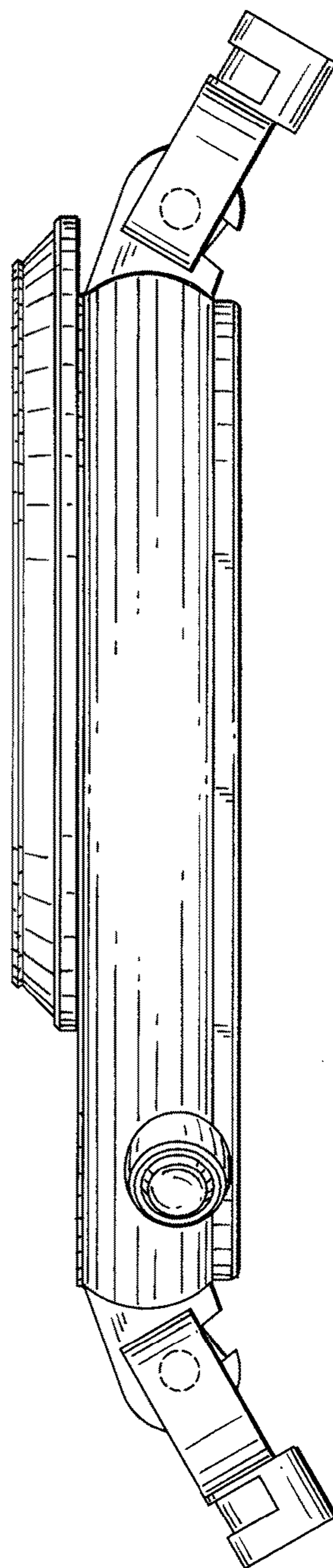


FIG. 6

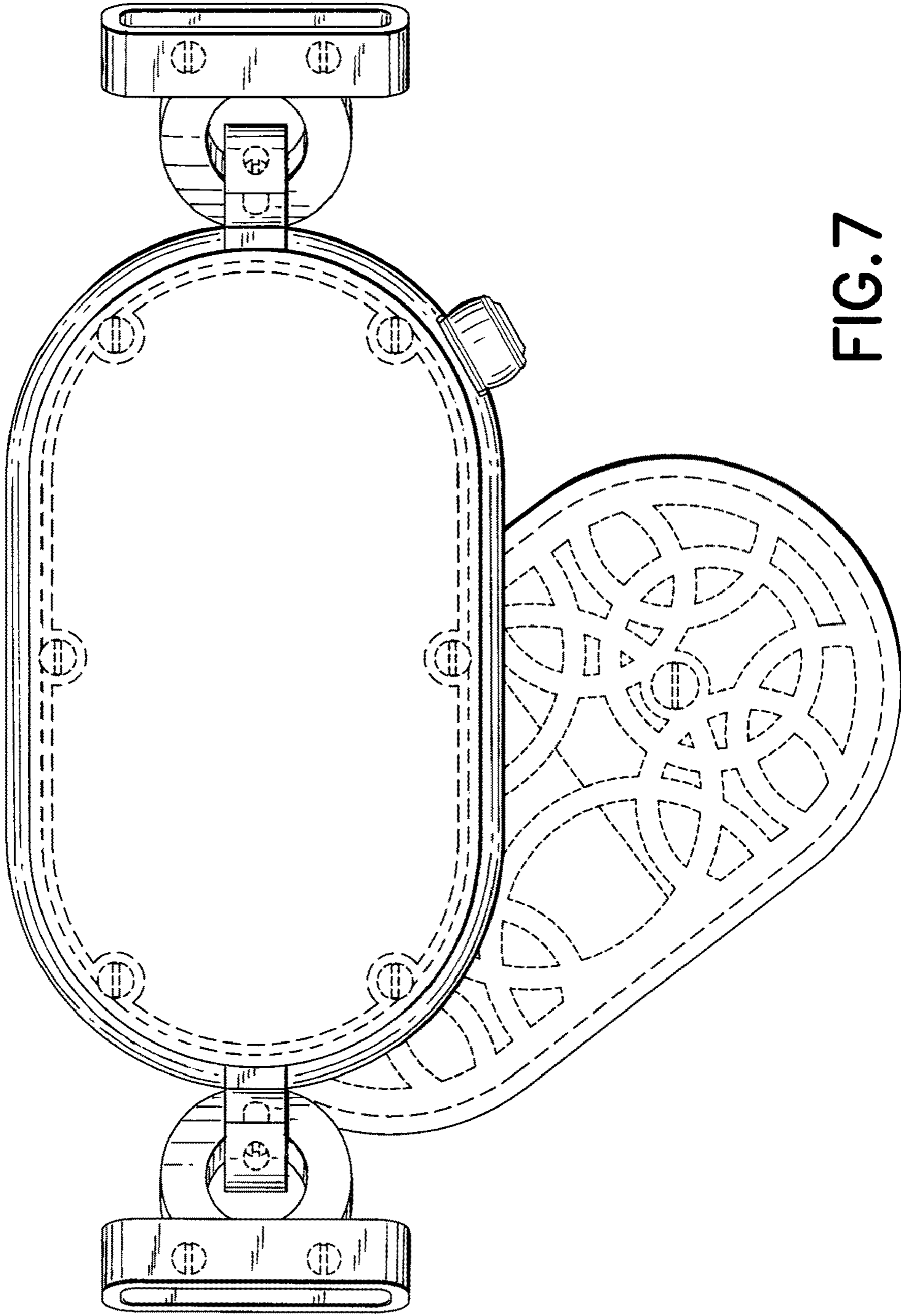


FIG. 7

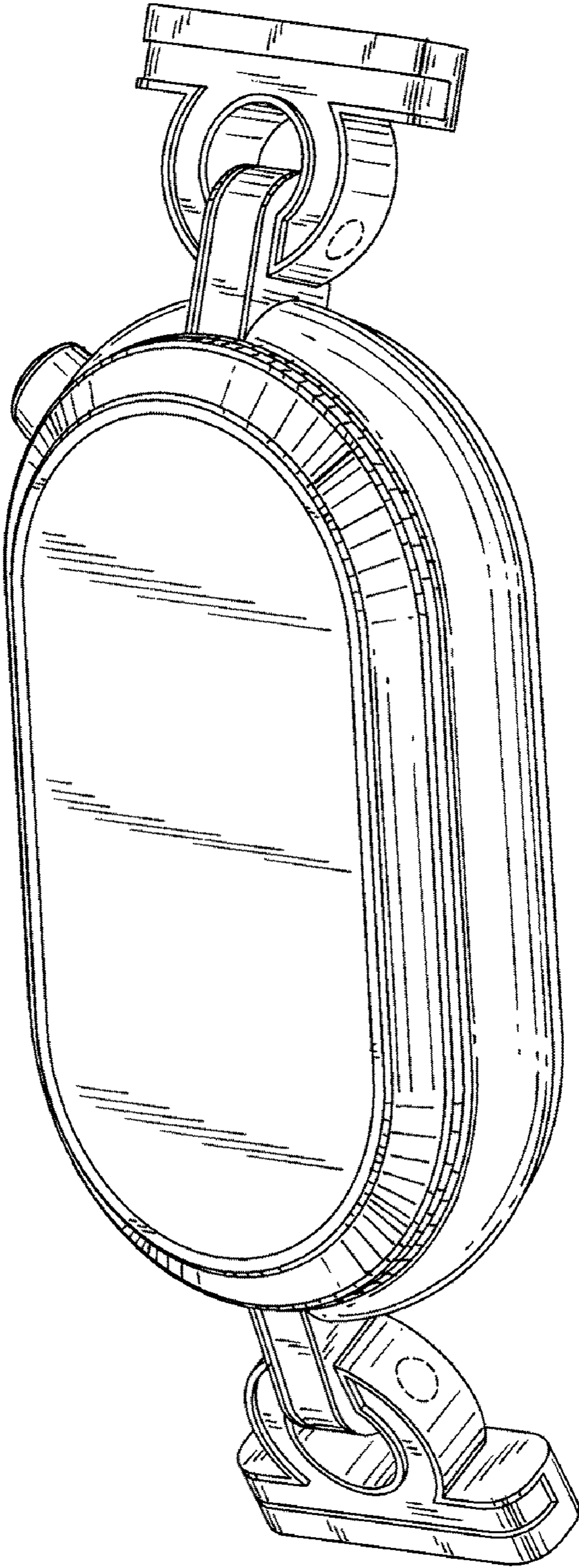


FIG.8

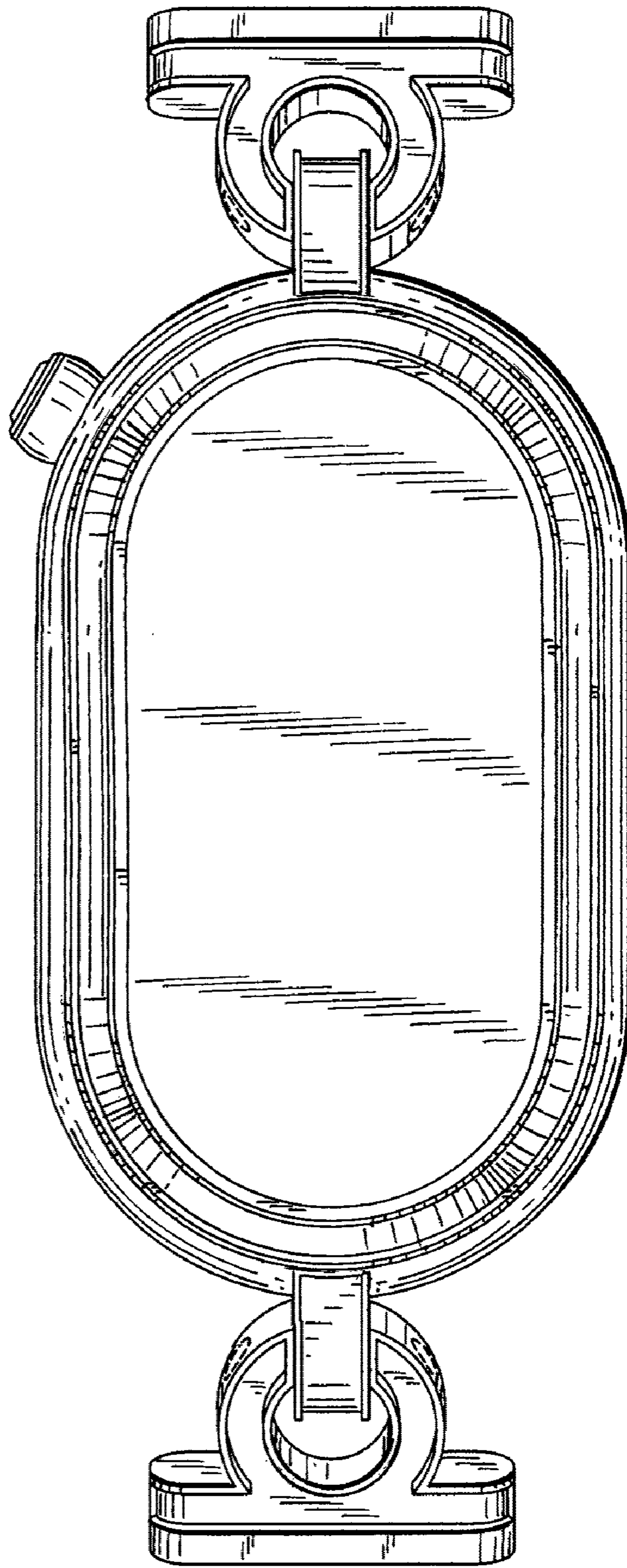


FIG. 9



FIG. 10

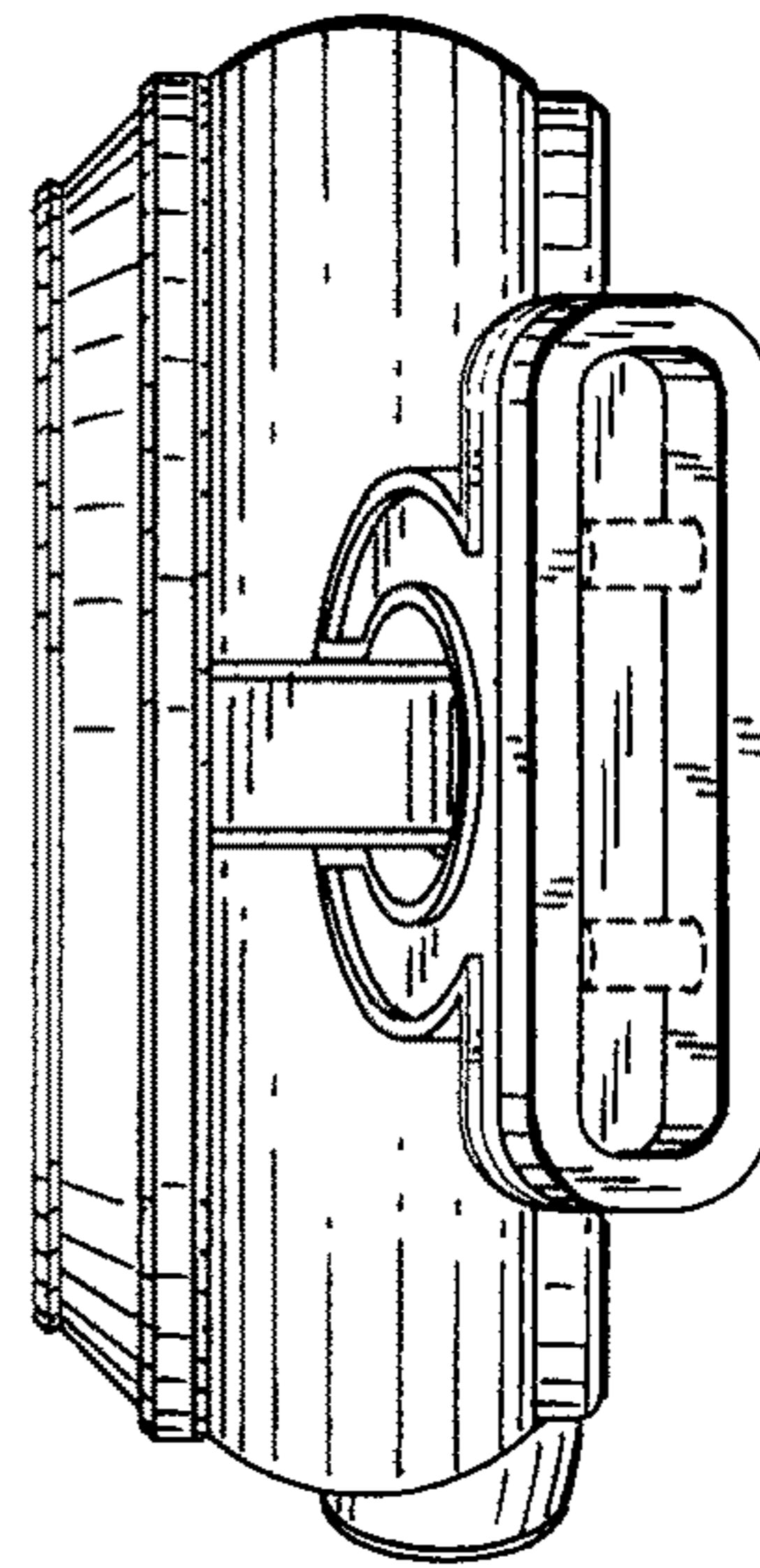


FIG. 11

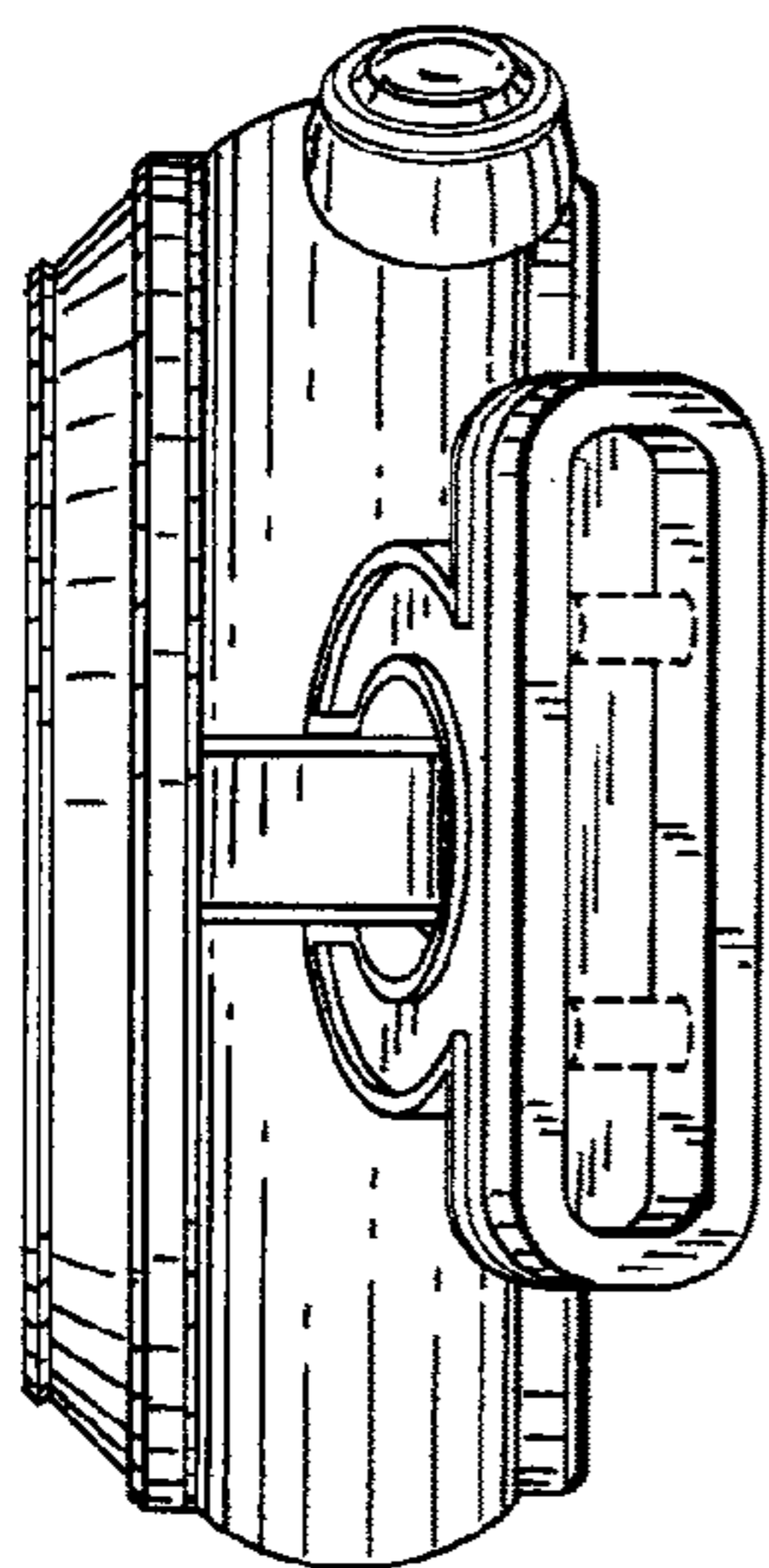


FIG. 12

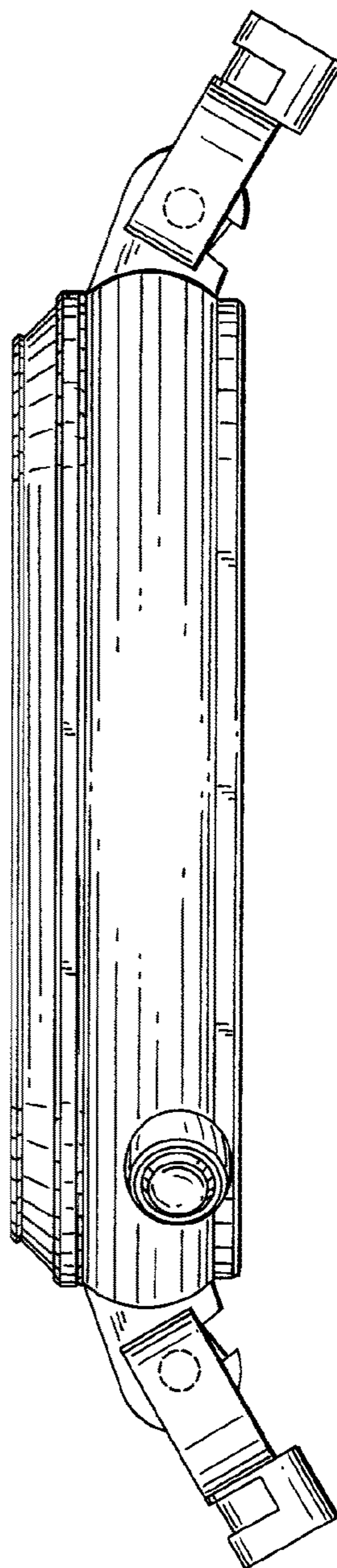


FIG. 13

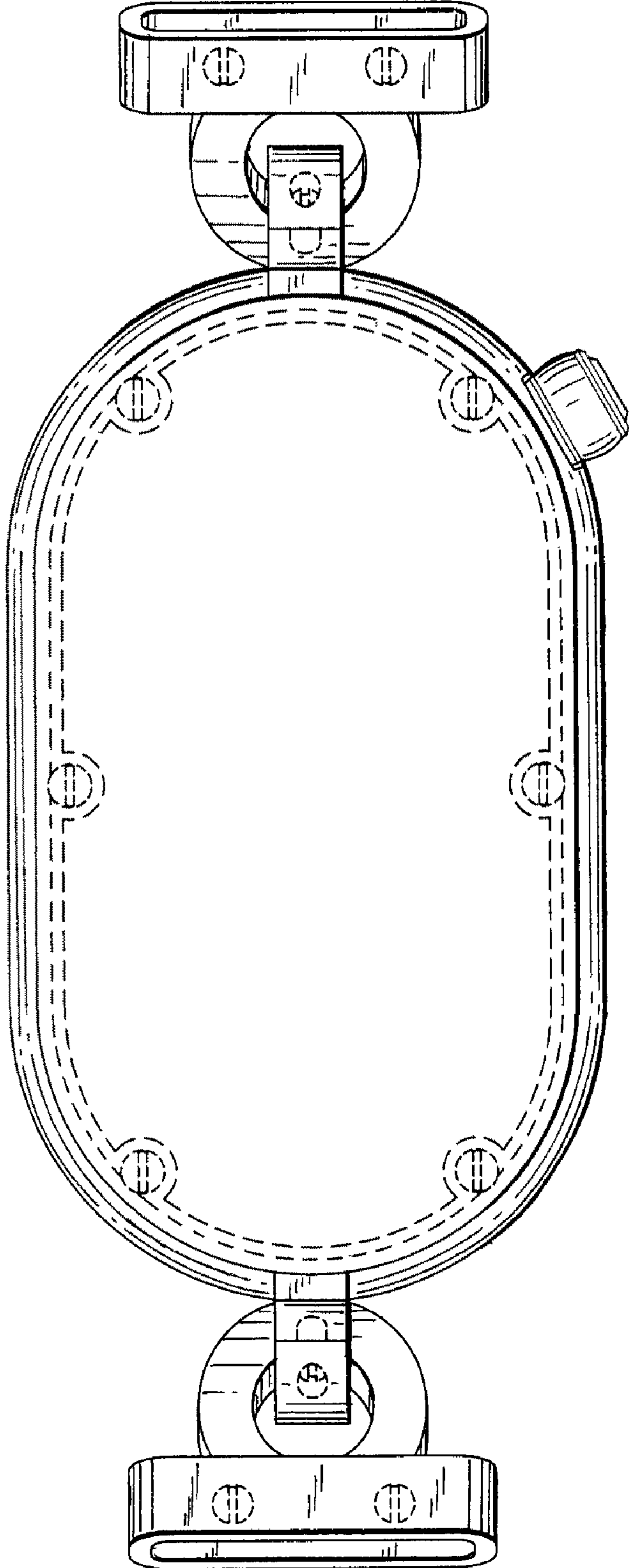


FIG.14