



US00D648225S

(12) **United States Design Patent**  
**Peng**

(10) **Patent No.:** **US D648,225 S**

(45) **Date of Patent:** **\*\* \*Nov. 8, 2011**

(54) **HEADER CARD OF FUEL-LINE ASSEMBLY**

(76) Inventor: **I-Sin Peng**, Taichung (TW)

(\*) Notice: This patent is subject to a terminal disclaimer.

(\*\*) Term: **14 Years**

(21) Appl. No.: **29/335,291**

(22) Filed: **Apr. 13, 2009**

(51) **LOC (9) Cl.** ..... **09-05**

(52) **U.S. Cl.** ..... **D9/711; D9/415**

(58) **Field of Classification Search** ..... D9/711,  
D9/457, 414-416, 418-419, 424-425, 715,  
D9/722; 206/822, 462-465, 471, 775-778,  
206/499, 443

See application file for complete search history.

(56) **References Cited**

**U.S. PATENT DOCUMENTS**

D364,561 S *	11/1995	Chapman et al. ....	D9/415
D382,475 S *	8/1997	Cooper .....	D9/415
D438,461 S *	3/2001	Yamagishi .....	D9/415
D508,843 S *	8/2005	Lane .....	D9/415
D514,927 S *	2/2006	Helfrich .....	D9/415
D517,909 S *	3/2006	Kent et al. ....	D9/415
D531,021 S *	10/2006	Ashby et al. ....	D9/415
D565,403 S *	4/2008	Caine et al. ....	D9/415

D584,606 S *	1/2009	Wintolders et al. ....	D9/415
D588,908 S *	3/2009	Silvenis et al. ....	D9/424
D593,853 S *	6/2009	Sorrentino et al. ....	D9/415
D612,231 S *	3/2010	Peng .....	D9/415

\* cited by examiner

*Primary Examiner* — Caron D Veynar

*Assistant Examiner* — Abraham Bahta

(74) *Attorney, Agent, or Firm* — Jackson IPG PLLC;  
Demian K. Jackson

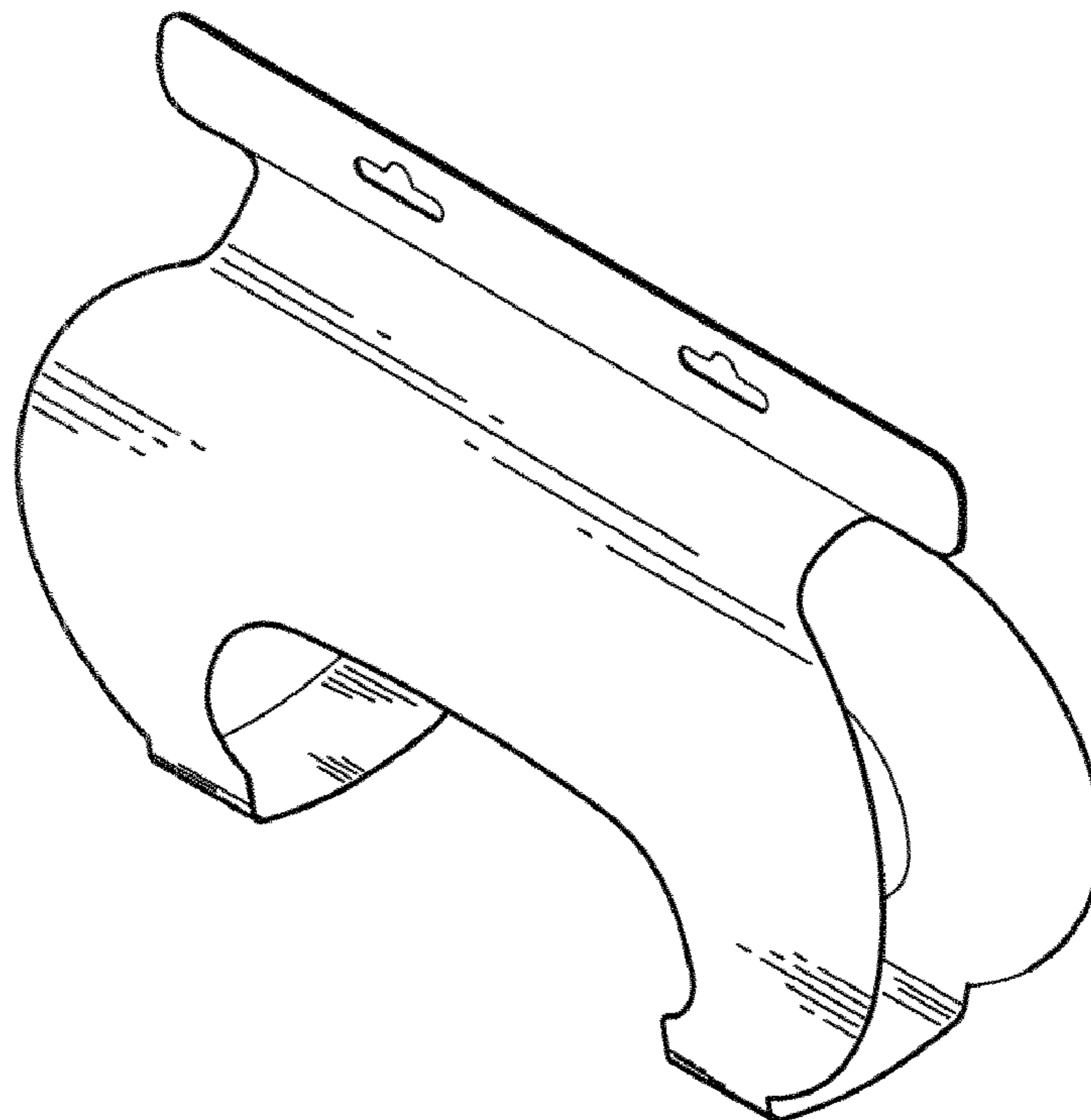
(57) **CLAIM**

The ornamental design for a header card of fuel line assembly, as shown and described.

**DESCRIPTION**

FIG. 1 is a rear elevation view thereof;  
FIG. 2 is a front elevation view thereof;  
FIG. 3 is a left side view thereof;  
FIG. 4 is a right side view thereof;  
FIG. 5 is a top plan view thereof;  
FIG. 6 is a bottom plan view thereof; and,  
FIG. 7 is a perspective view of a header card of fuel line assembly showing my new design; and,  
FIG. 8 shows the application of the present invention, where those indicated by broken lines are not claimed in the present invention.

**1 Claim, 5 Drawing Sheets**



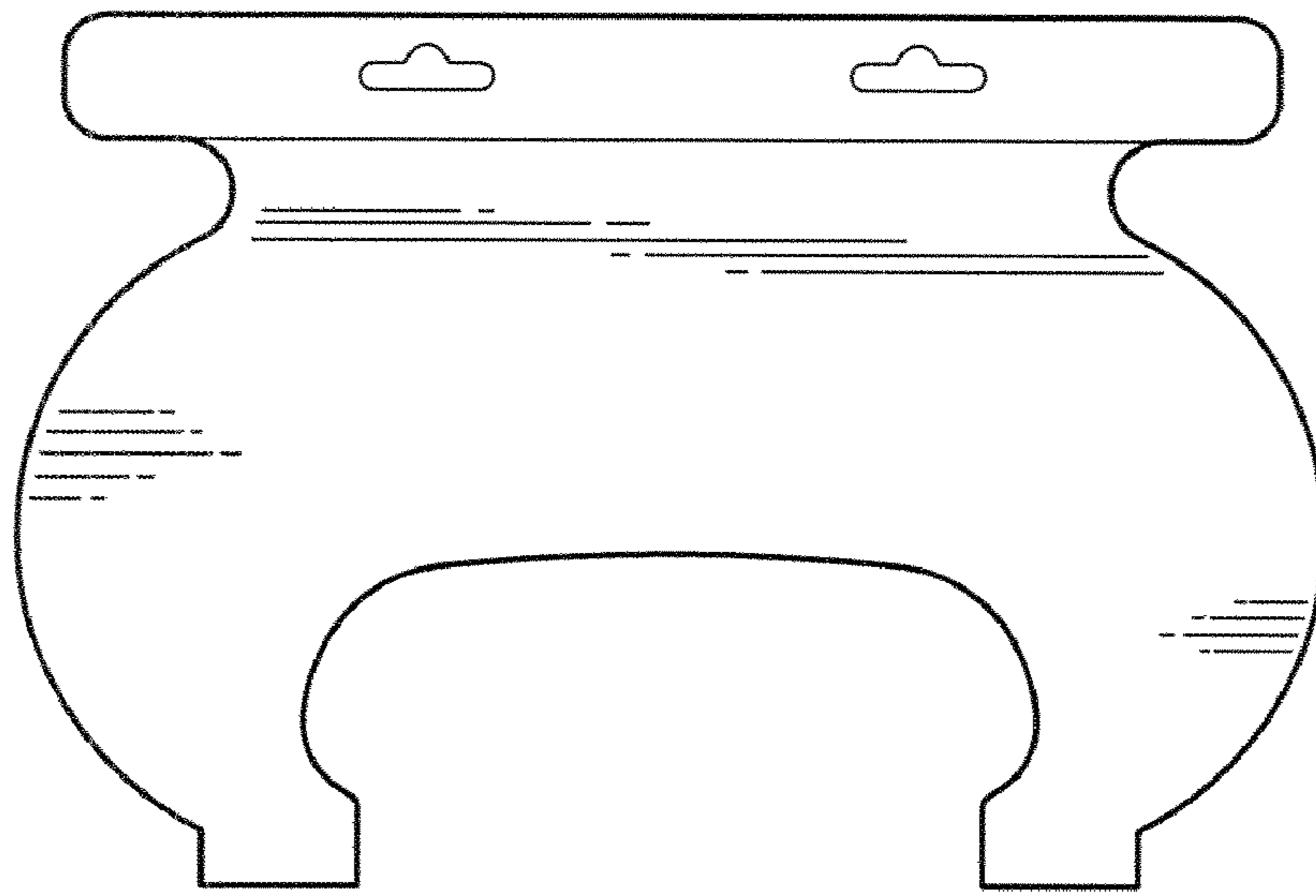


Fig. 1

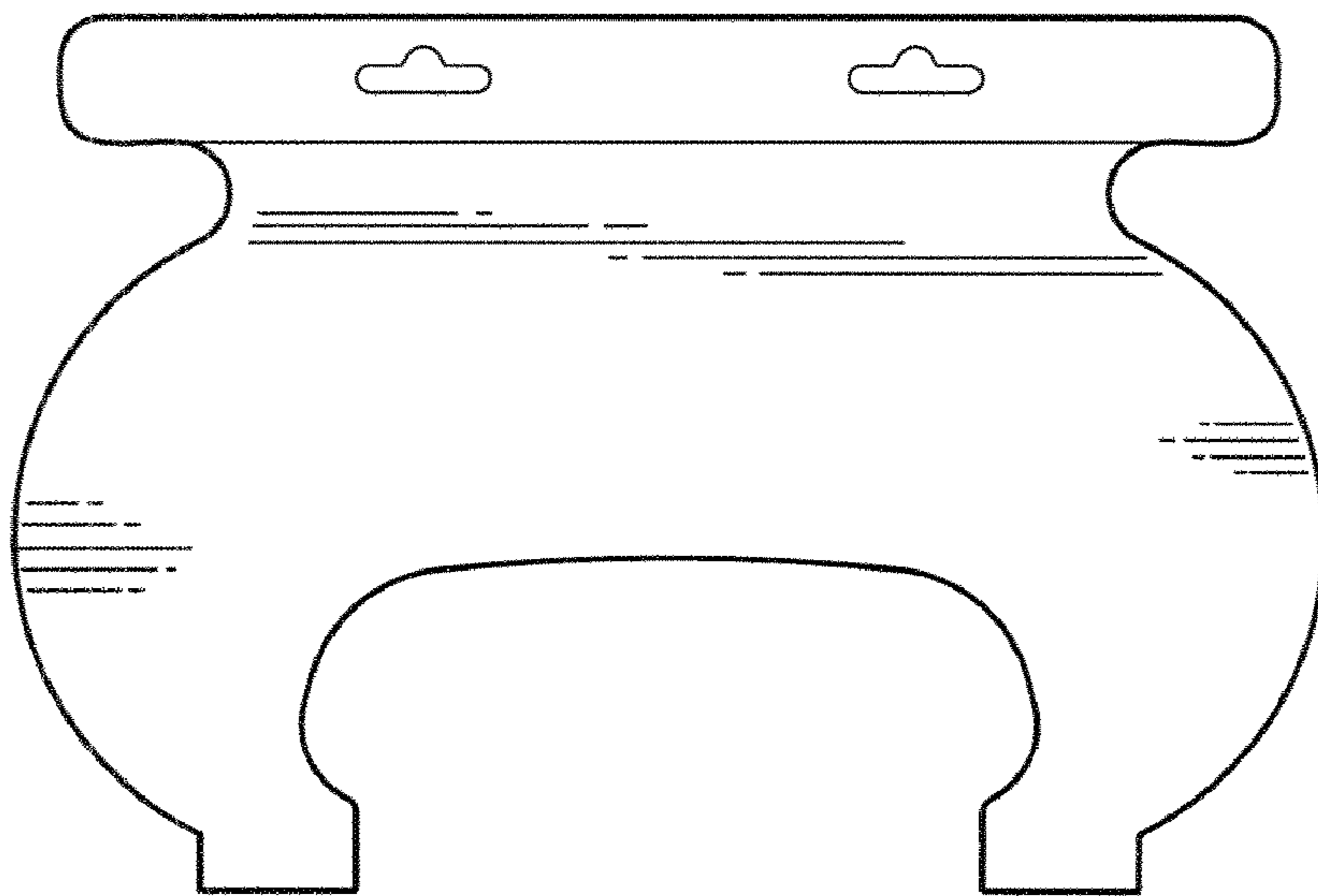


Fig. 2

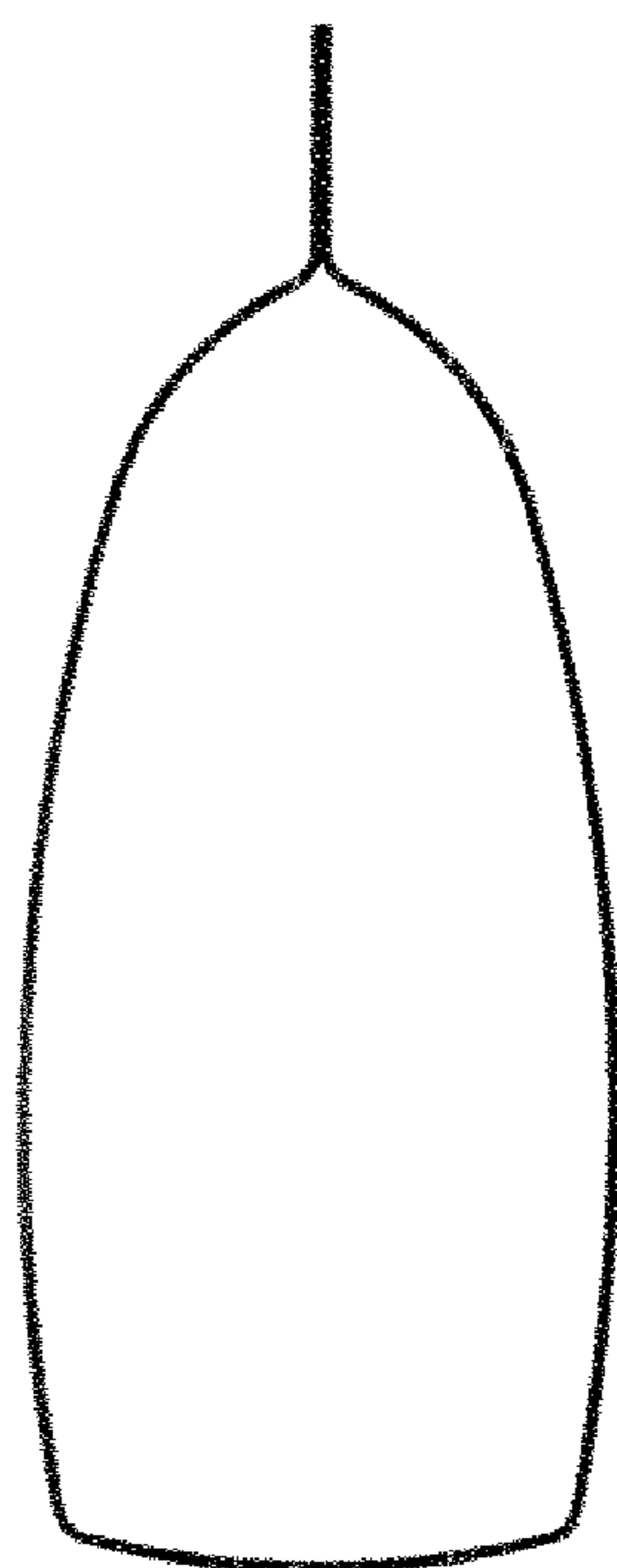


Fig. 3

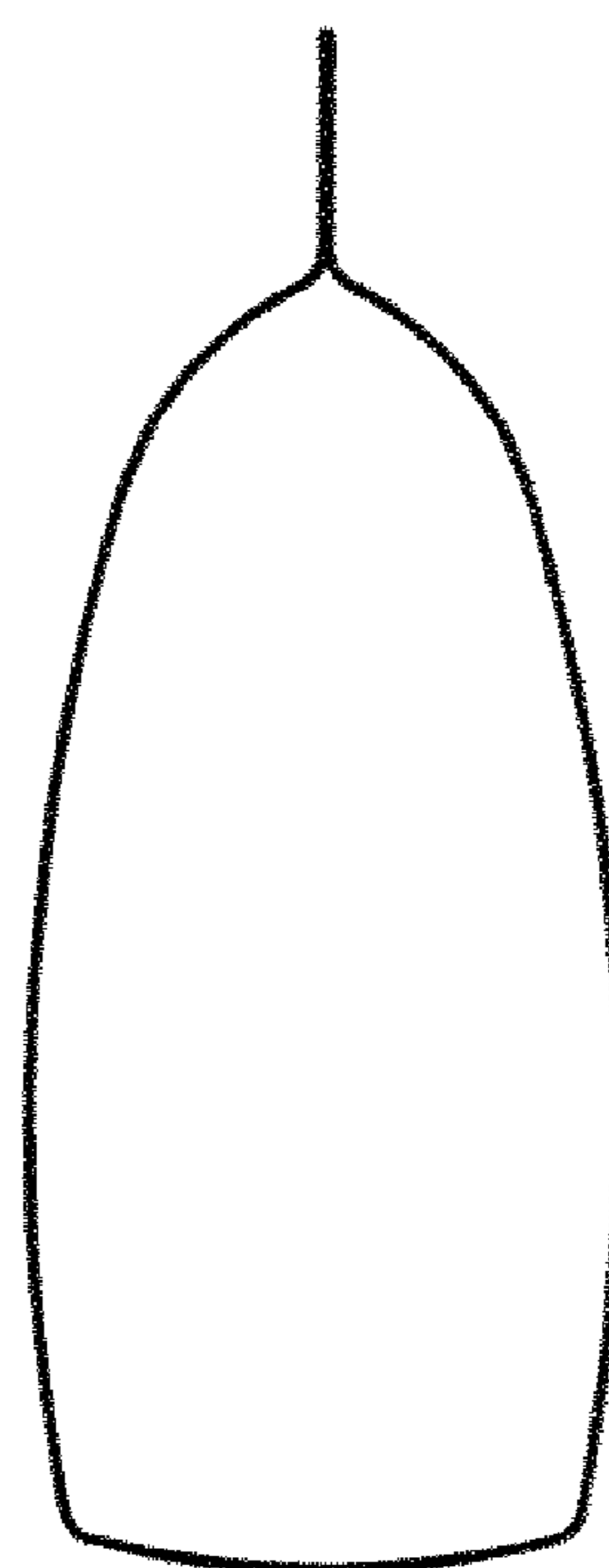


Fig. 4

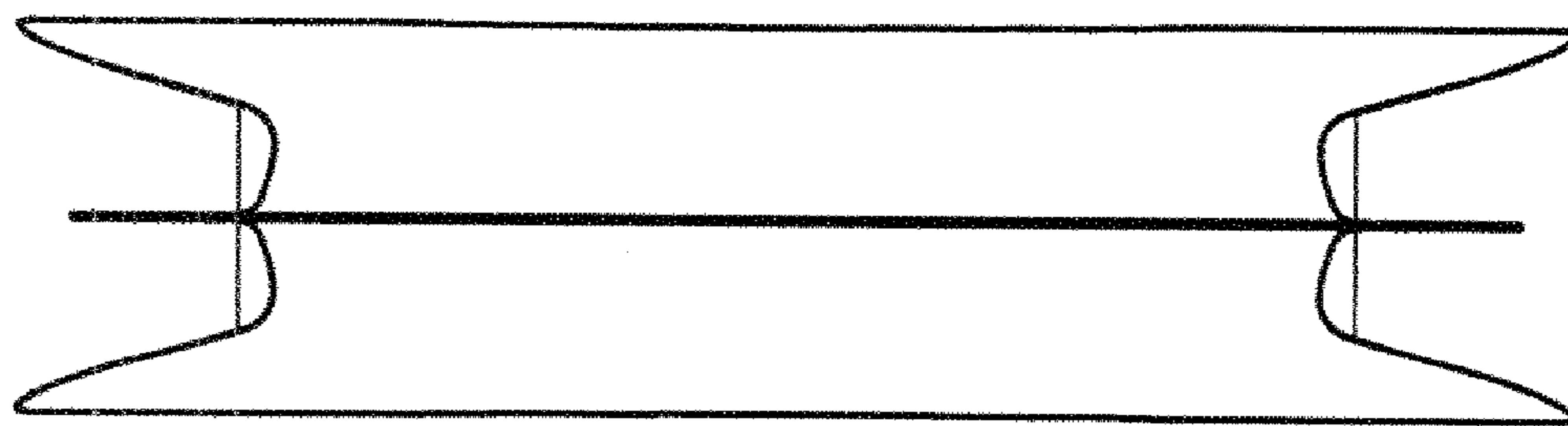


Fig. 5

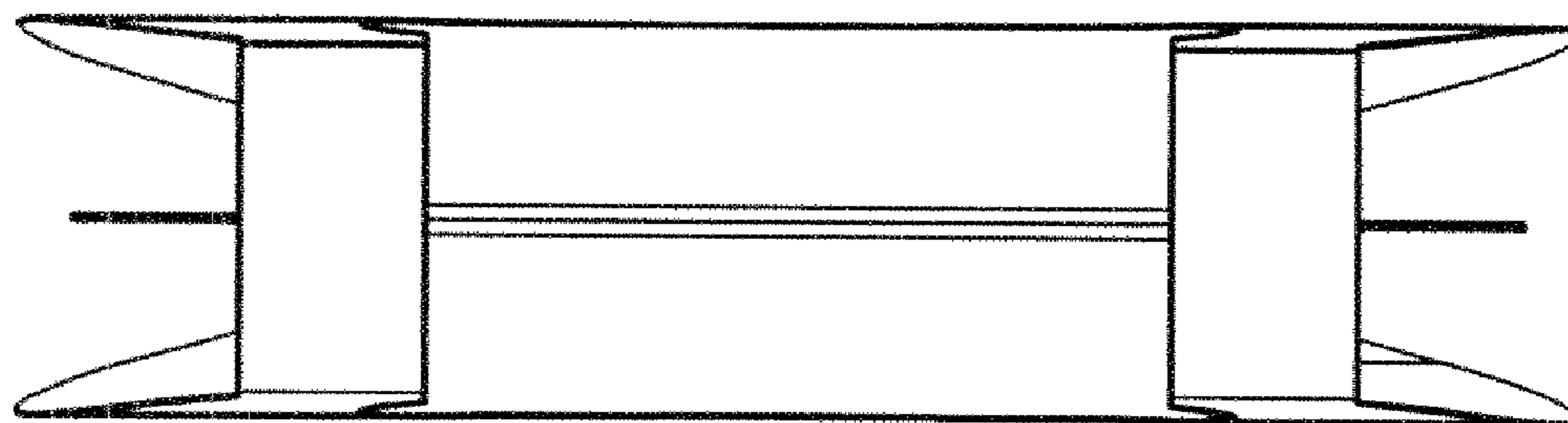


Fig. 6

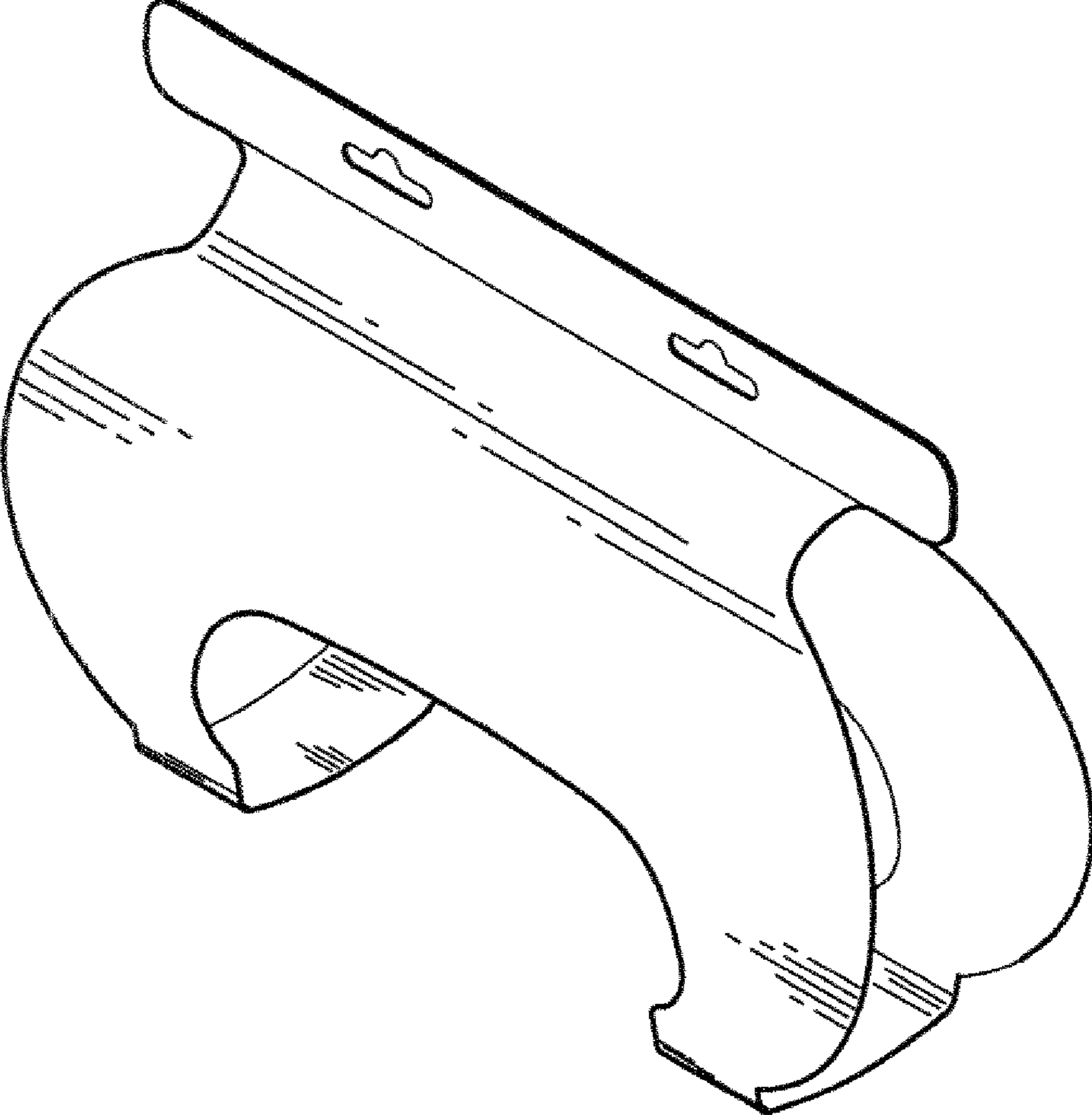


Fig. 7

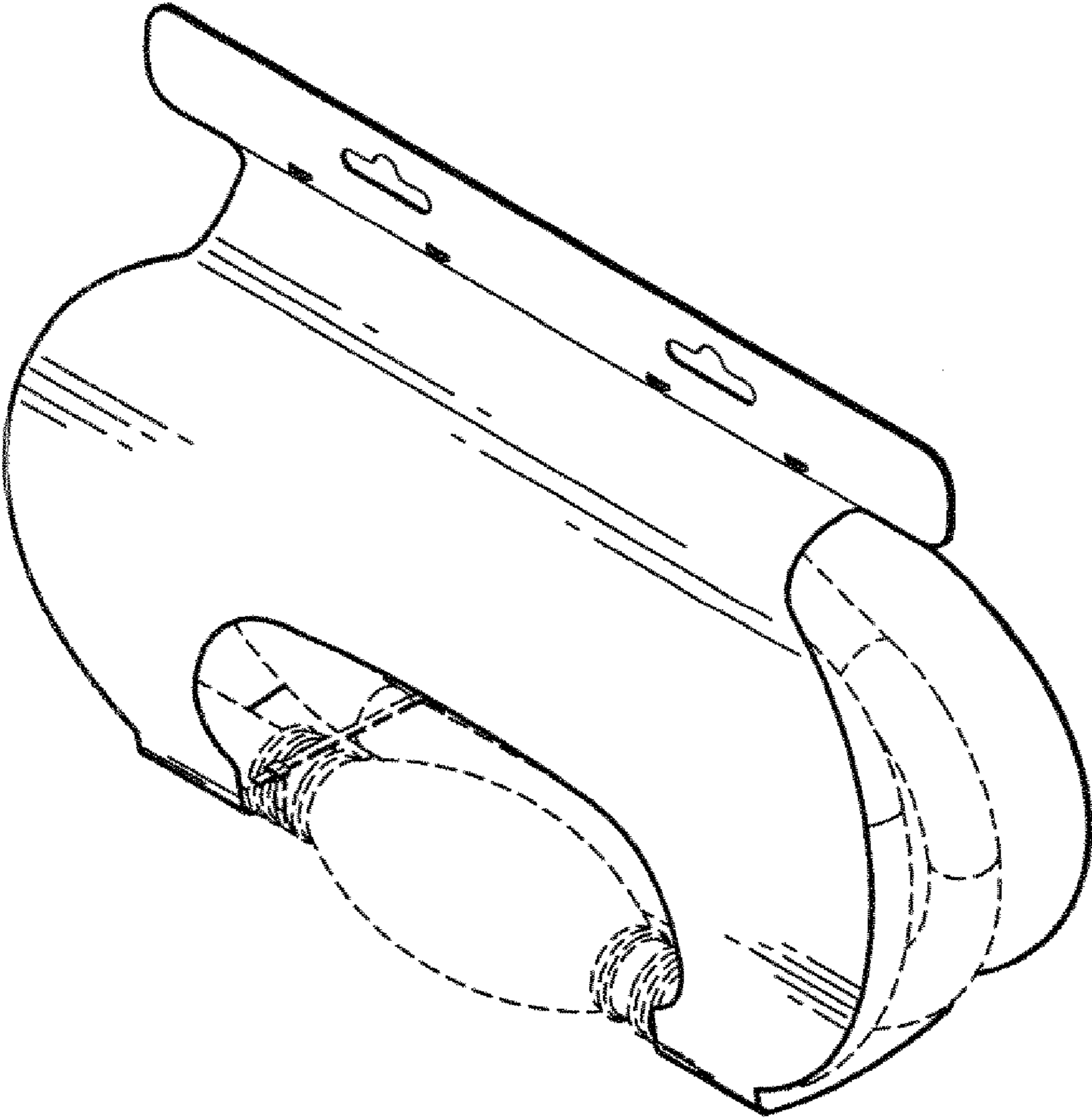


Fig. 8