

US00D648224S

(12) **United States Design Patent**
Spence

(10) **Patent No.:** **US D648,224 S**
(45) **Date of Patent:** **** Nov. 8, 2011**

(54) **CAPPED CONTAINER FOR FOODSTUFF OR THE LIKE**

(75) Inventor: **Allison Spence**, Crows Nest (AU)

(73) Assignee: **Botanical Food Company Pty Ltd**, Melbourne, Victoria (AU)

(**) Term: **14 Years**

(21) Appl. No.: **29/383,028**

(22) Filed: **Jan. 11, 2011**

(30) **Foreign Application Priority Data**

Jul. 12, 2010 (AU) 12858/2010

(51) **LOC (9) Cl.** **09-03**

(52) **U.S. Cl.** **D9/695**

(58) **Field of Classification Search** D9/695-699,
D9/711, 521, 435, 440, 454, 723-729, 551,
D9/572-574; 222/527-529, 92, 107, 206,
222/215, 522, 531; D28/7, 76, 78; 220/DIG. 7,
220/669-675; D24/19; 215/381-382; 206/438,
206/822; 141/114

See application file for complete search history.

(56) **References Cited**

U.S. PATENT DOCUMENTS

D321,127 S *	10/1991	Dombroski	D9/697
D401,138 S *	11/1998	Rosen et al.	D9/697
D479,122 S *	9/2003	Karim	D9/697
D488,059 S *	4/2004	Mounier	D9/697
D542,672 S *	5/2007	Kenyon	D9/697
D547,672 S *	7/2007	Penfold et al.	D9/697
D551,088 S *	9/2007	Dittmer et al.	D9/697
D559,703 S *	1/2008	Egawa	D9/697
D568,171 S *	5/2008	Kawashima	D9/699
D587,128 S *	2/2009	Swanson et al.	D9/698
D601,036 S *	9/2009	Palmer et al.	D9/697
D626,860 S *	11/2010	Oates et al.	D9/699

OTHER PUBLICATIONS

Joel Gebet, "Rosa Secilia Poised to Unveil New Fresh Herb Paste and Pesto," May 12, 2008, p. 54, The Produce News, Montreal.
Chick Goodman, HerbThyme Farms, Product Information and Advertisement, Produce Business, Masters of Merchandising, Mar. 2009, p. 88, vol. 25, No. 3.
Matts Herbs, various products, photograph, May 2007, Australia.
Goodness Gardens, Inc. advertisement, The Produce News PMA, "Squeeze your Herb Sales to New Highs!," Oct. 2007, New Jersey.
Gourmet Garden advertisement (chicken coriander wok toss), Delicious magazine, Oct. 2002.
Gourmet Garden advertisement, (woman on telephone), Super Food Ideas magazine, Dec. 2002.
Gourmet Garden advertisement (mushroom and spinach fettuccine), Good Food magazine, Oct. 2009.

* cited by examiner

Primary Examiner — Caron D Veynar

Assistant Examiner — Abraham Bahta

(74) *Attorney, Agent, or Firm* — Knobbe, Martens, Olson & Bear, LLP

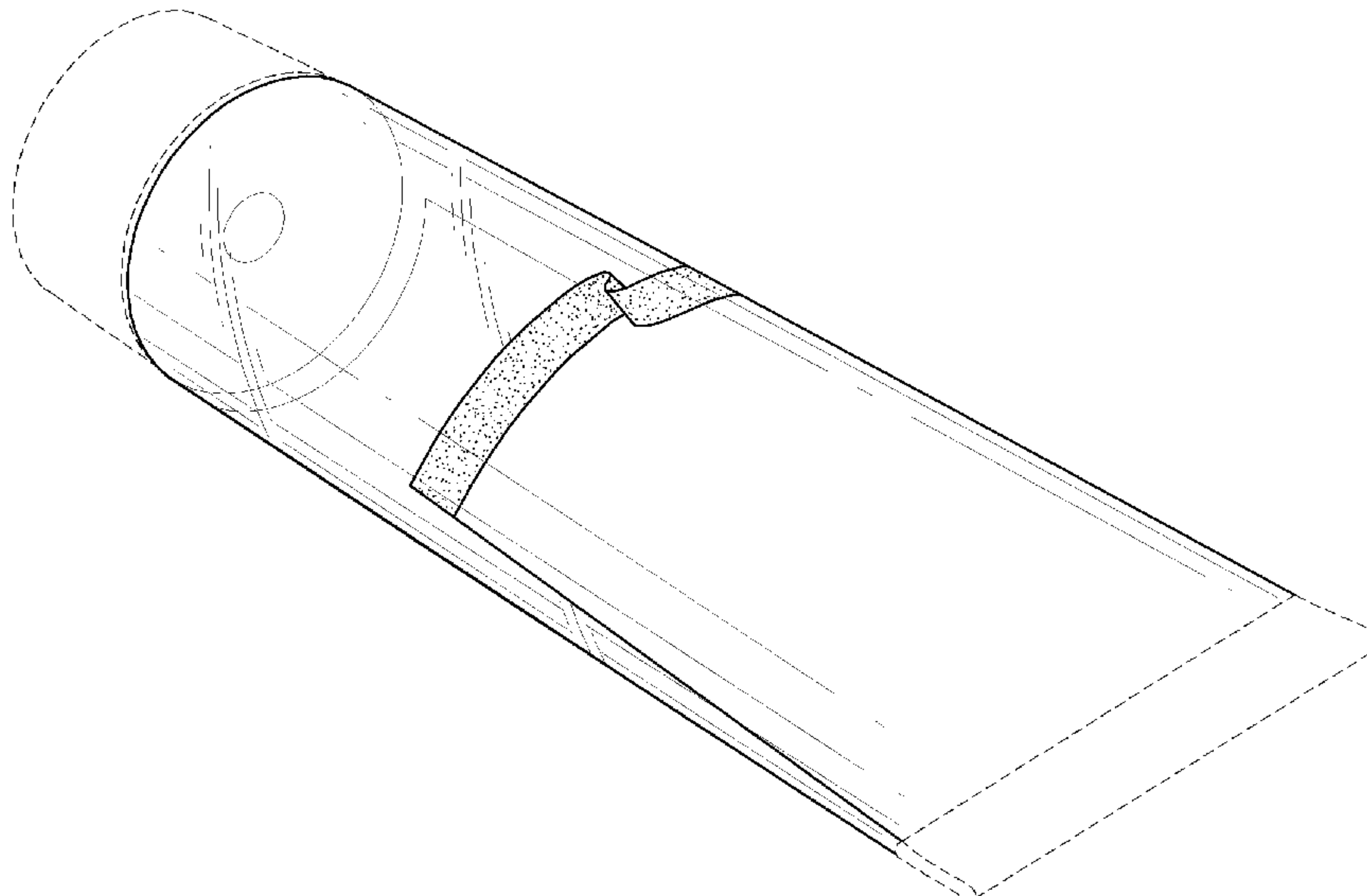
(57) **CLAIM**

The ornamental design for a capped container for foodstuff or the like, as shown and described.

DESCRIPTION

FIG. 1 is a front perspective view of the capped container for food stuff or the like showing my new design;
FIG. 2 is a front view of the capped container of FIG. 1;
FIG. 3 is a rear view of the capped container of FIG. 1;
FIG. 4 is a left side view of the capped container of FIG. 1;
FIG. 5 is a right side view of the capped container of FIG. 1;
FIG. 6 is a bottom view of the capped container of FIG. 1; and,
FIG. 7 is a top view of the capped container of FIG. 1.
The broken line showing of portions of the capped container is included for the purpose of illustrating environmental structure and forms no part of the claimed design.

1 Claim, 4 Drawing Sheets



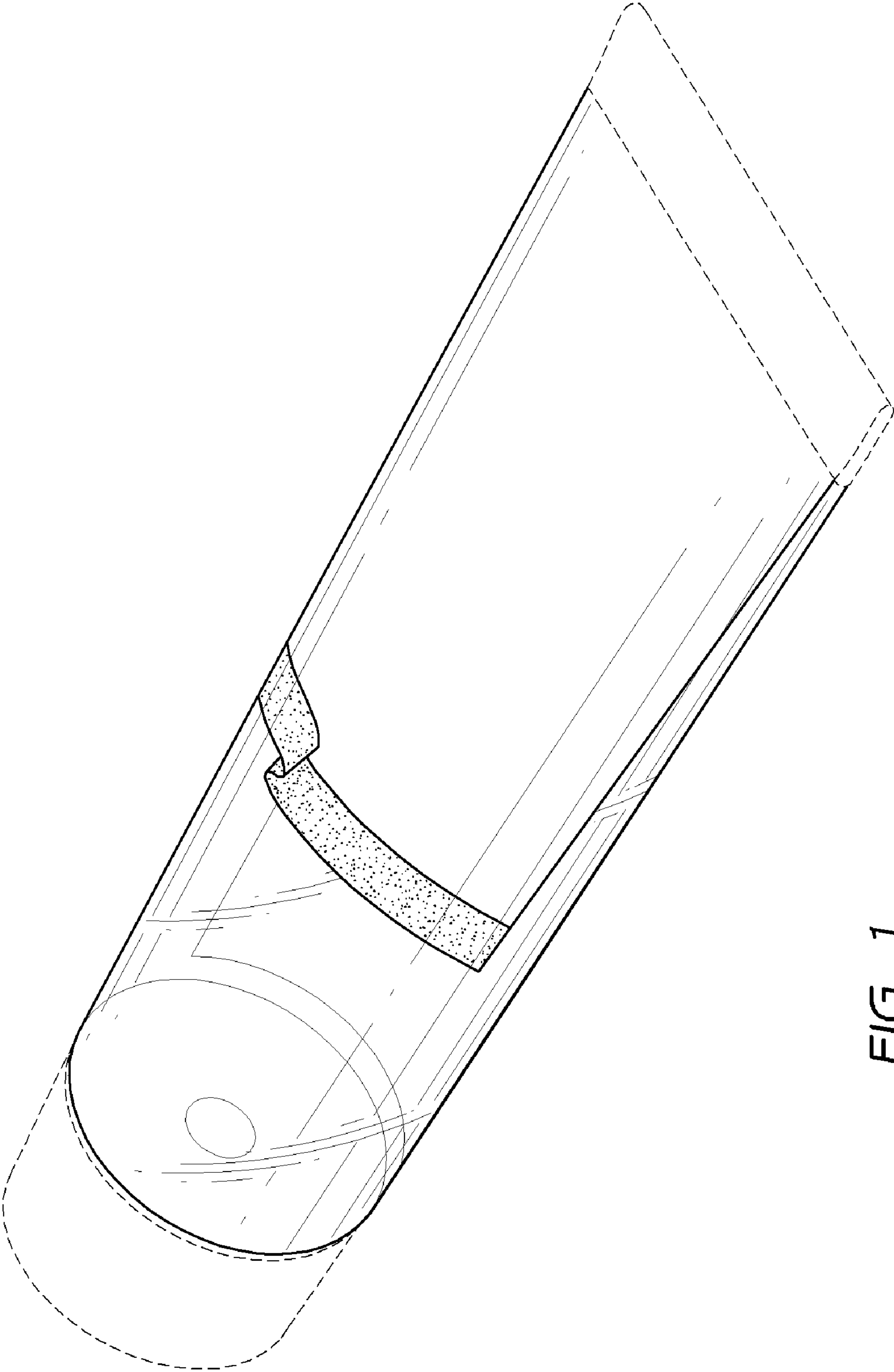


FIG. 1

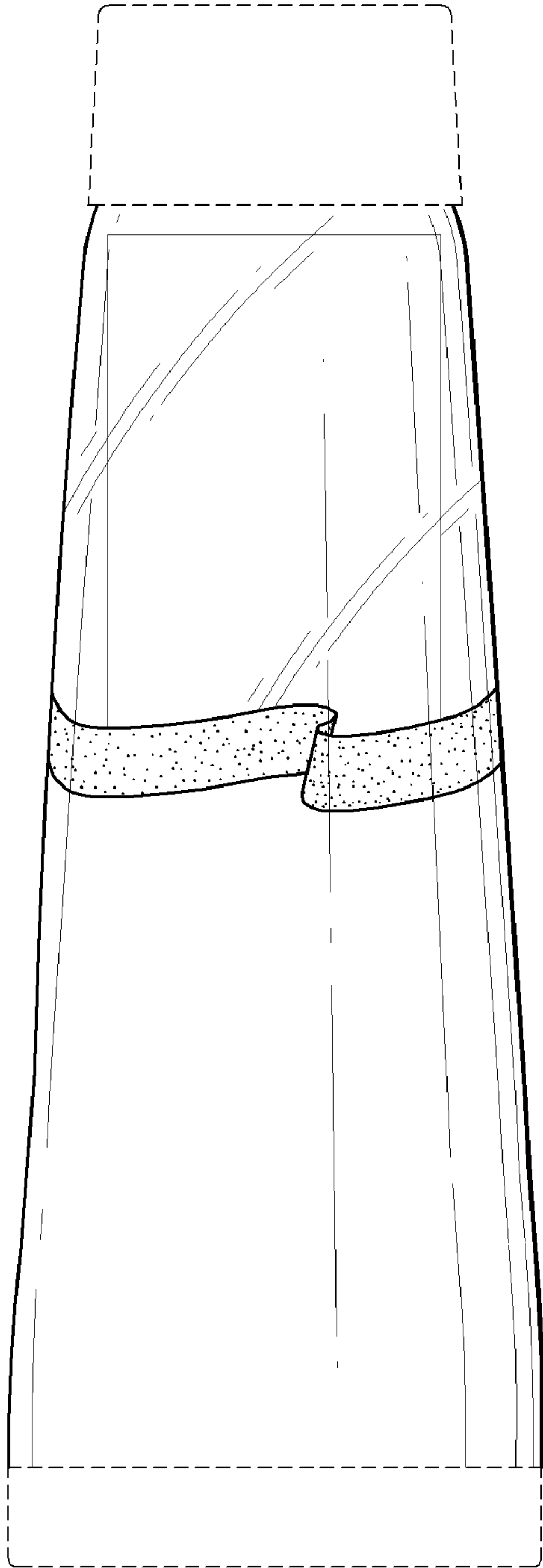


FIG. 2



FIG. 3

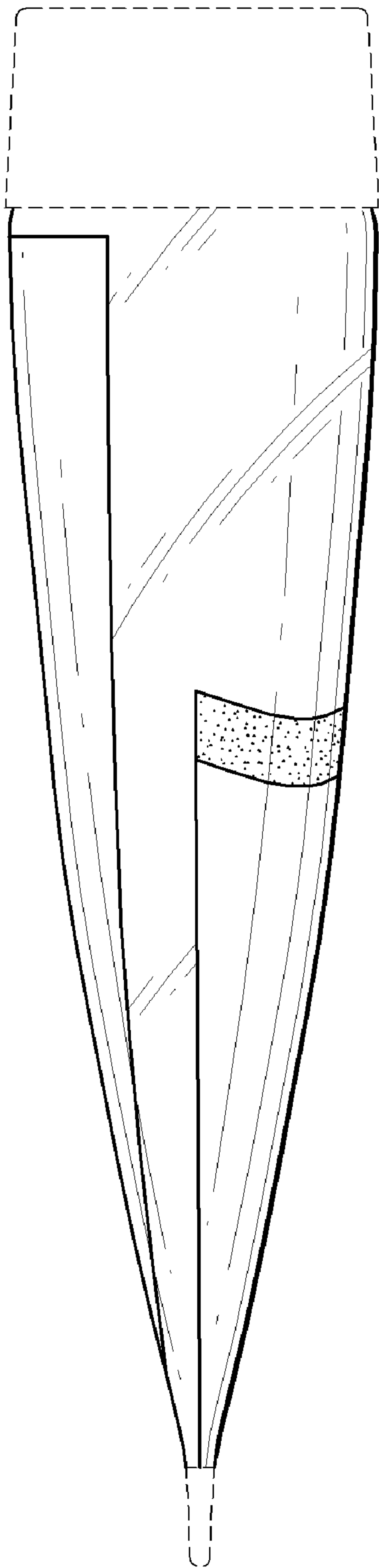


FIG. 4

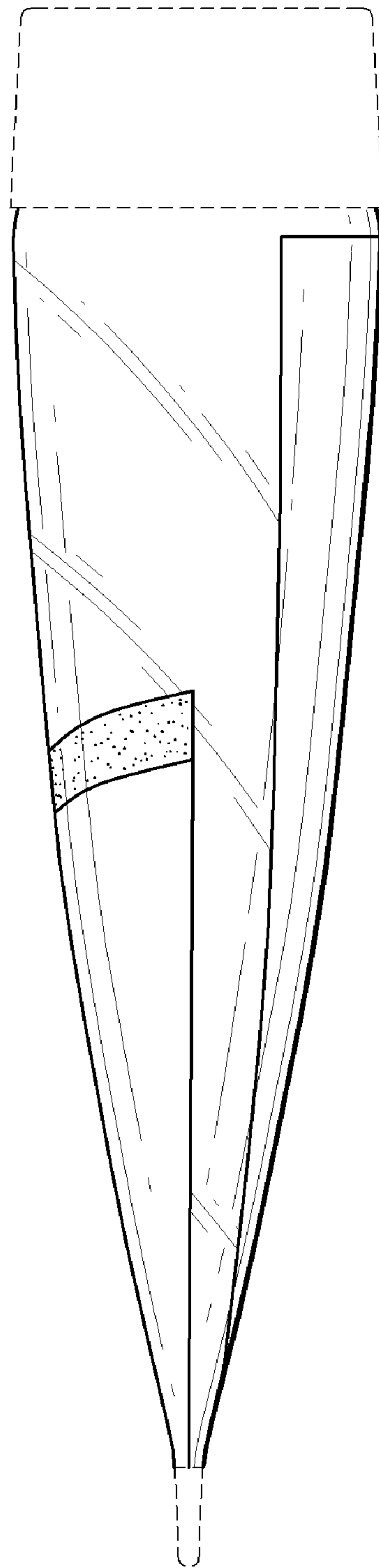


FIG. 5

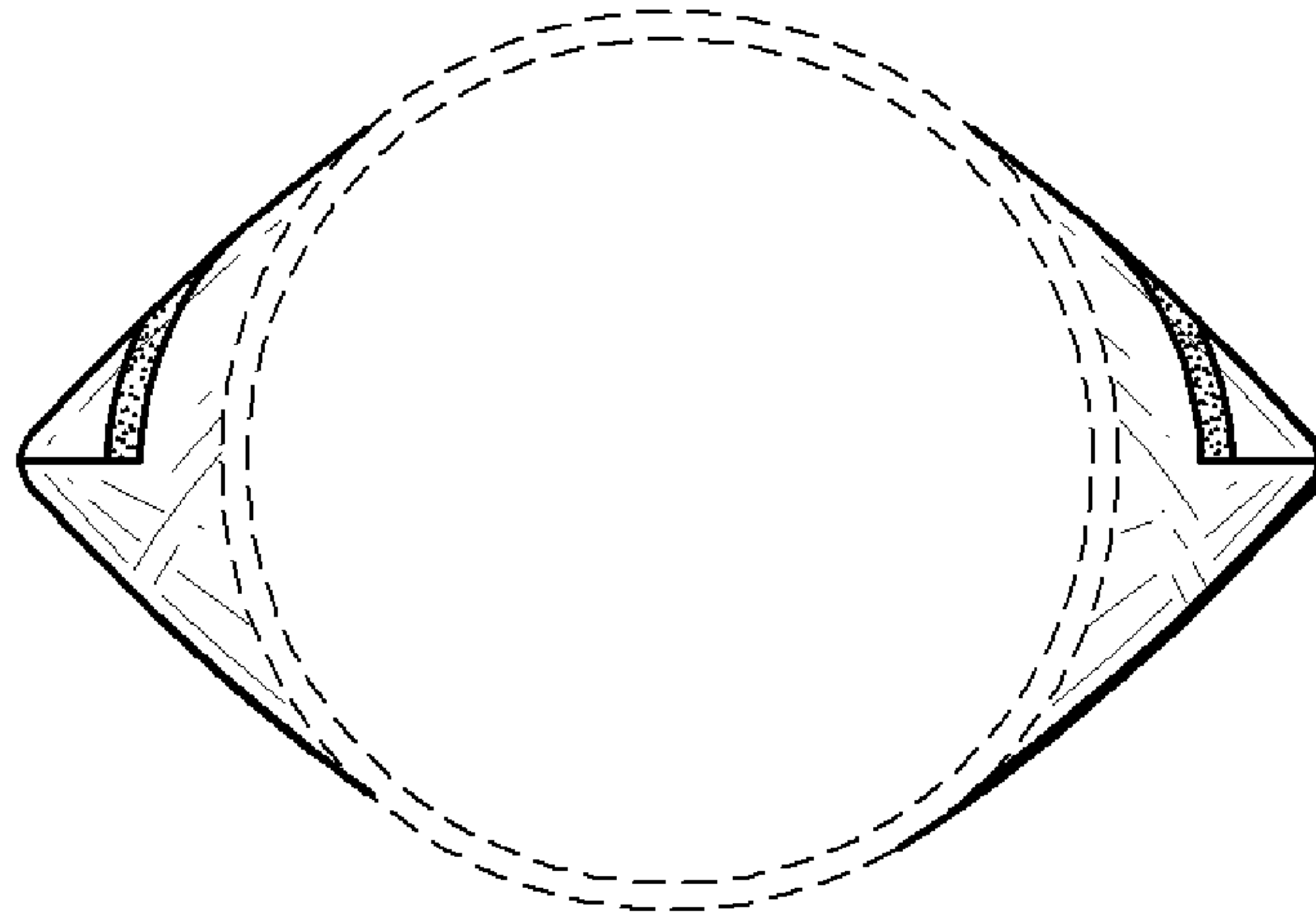


FIG. 6

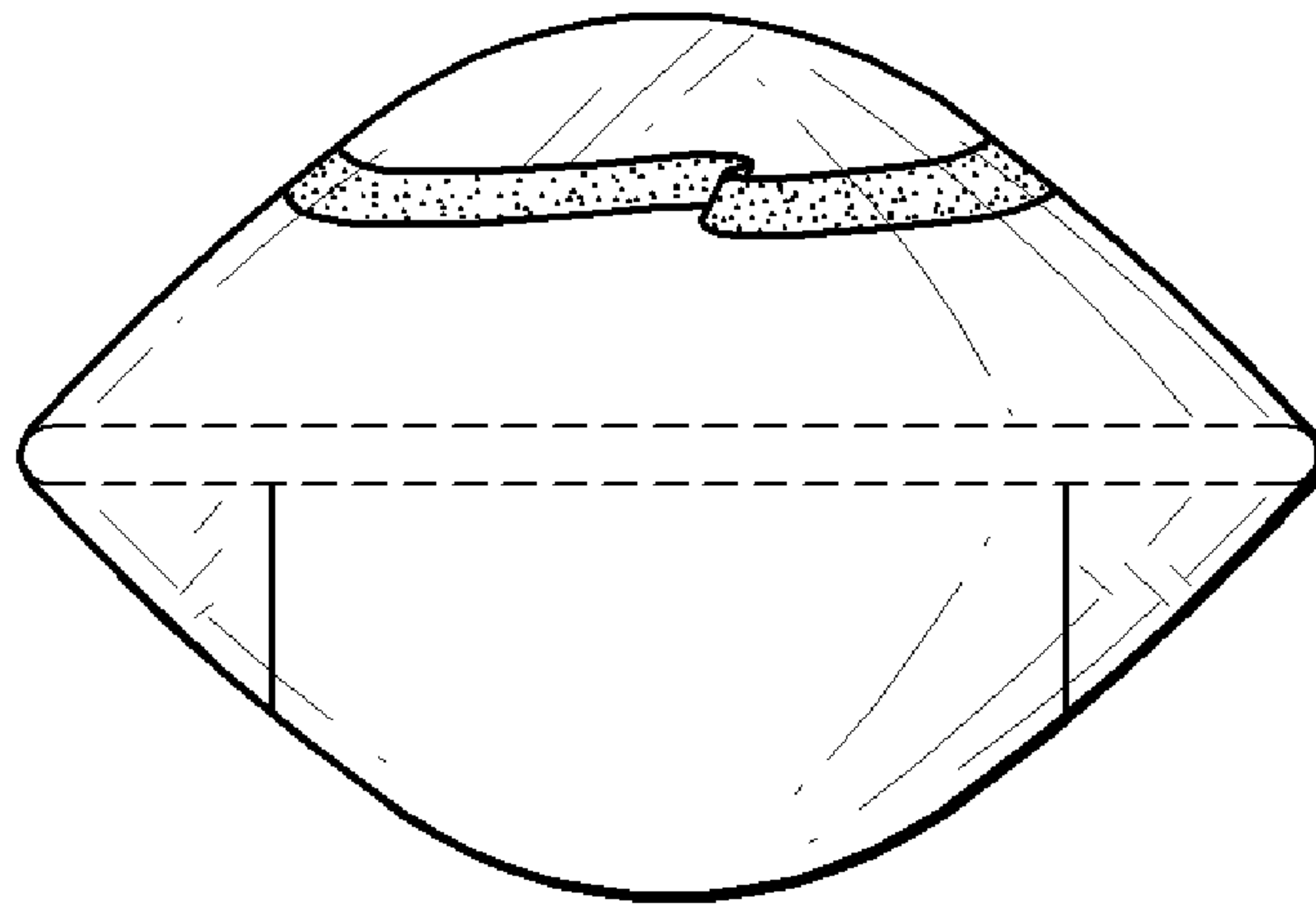


FIG. 7