



US00D648222S

(12) **United States Design Patent**
Snyder et al.

(10) **Patent No.:** **US D648,222 S**

(45) **Date of Patent:** **** Nov. 8, 2011**

(54) **BOTTLE**

(75) Inventors: **MarySue Snyder**, White Plains, NY (US); **Anand Sarkar**, Haryana (IN); **Stuart Leslie**, Larchmont, NY (US); **Jason Billig**, Mt. Vernon, NY (US); **Christopher Lavelanet**, Gothenburg (SE); **Dennis C. Connor**, Merrimack, NH (US); **Kim D. Lufkin**, Auburn, NH (US)

(73) Assignee: **PepsiCo, Inc.**, Purchase, NY (US)

(**) Term: **14 Years**

(21) Appl. No.: **29/360,170**

(22) Filed: **Apr. 21, 2010**

(51) **LOC (9) Cl.** **09-01**

(52) **U.S. Cl.** **D9/538; D9/520; D9/554; D9/556; D9/558; D9/571**

(58) **Field of Classification Search** D9/502, D9/516, 690-693, 537-541, 549, 552, 556-558, D9/565, 571; 215/382-384; 220/660, 669, 220/675

See application file for complete search history.

(56) **References Cited**

U.S. PATENT DOCUMENTS

| | | | | |
|--------------|--------|---------------------|-------|----------|
| D70,359 S * | 6/1926 | Curran | | D9/552 X |
| D379,306 S * | 5/1997 | Peykoff | | D9/538 X |
| D409,919 S * | 5/1999 | Young | | D9/520 |
| D412,120 S | 7/1999 | Payne et al. | | |
| D412,848 S | 8/1999 | Payne et al. | | |
| D429,644 S * | 8/2000 | Hughes | | D9/528 |
| D436,042 S | 1/2001 | Krishnakumar et al. | | |
| D441,659 S | 5/2001 | Di Canio et al. | | |
| D442,492 S | 5/2001 | Krishnakumar et al. | | |
| D443,827 S | 6/2001 | Krishnakumar et al. | | |
| D446,457 S | 8/2001 | Krishnakumar et al. | | |
| D447,061 S * | 8/2001 | Peek | | D9/549 |
| D447,690 S | 9/2001 | Lichtman et al. | | |

| | | | | |
|--------------|---------|---------------------|-------|----------|
| D457,065 S | 5/2002 | Krishnakumar et al. | | |
| D464,267 S | 10/2002 | Mixon | | |
| D464,268 S | 10/2002 | Mixon | | |
| D480,650 S * | 10/2003 | Moore et al. | | D9/540 |
| D482,620 S | 11/2003 | Kleckauskas | | |
| D482,976 S | 12/2003 | Melrose | | |
| 6,739,467 B2 | 5/2004 | Saito et al. | | |
| D503,341 S * | 3/2005 | Delmotte | | D9/538 |
| D506,142 S * | 6/2005 | Gauthier | | D9/565 X |
| 6,964,347 B2 | 11/2005 | Miura | | |
| 6,981,604 B2 | 1/2006 | Iizuka et al. | | |
| D531,910 S | 11/2006 | Melrose | | |
| D533,785 S | 12/2006 | Corbett et al. | | |
| D535,884 S | 1/2007 | Davis et al. | | |
| D535,885 S | 1/2007 | Davis et al. | | |
| D536,255 S | 2/2007 | Corbett et al. | | |
| D538,164 S | 3/2007 | Zach et al. | | |
| D542,142 S | 5/2007 | Walton et al. | | |
| D547,664 S | 7/2007 | Davis et al. | | |
| D547,666 S * | 7/2007 | Hermel | | D9/552 |
| D559,112 S | 1/2008 | Hyde et al. | | |
| D560,500 S * | 1/2008 | Venkataraman et al. | | D9/538 |
| D561,596 S | 2/2008 | Hyde et al. | | |
| D564,358 S * | 3/2008 | Lepoitevin | | D9/554 X |
| D565,416 S | 4/2008 | Lepoitevin | | |

(Continued)

Primary Examiner — Carol P Rademaker

(74) *Attorney, Agent, or Firm* — Banner & Witcoff, Ltd.

(57) **CLAIM**

The ornamental design for a bottle, as shown and described.

DESCRIPTION

FIG. 1 is a top, front, and right side perspective view showing our new design;

FIG. 2 is a front view thereof;

FIG. 3 is a right view thereof;

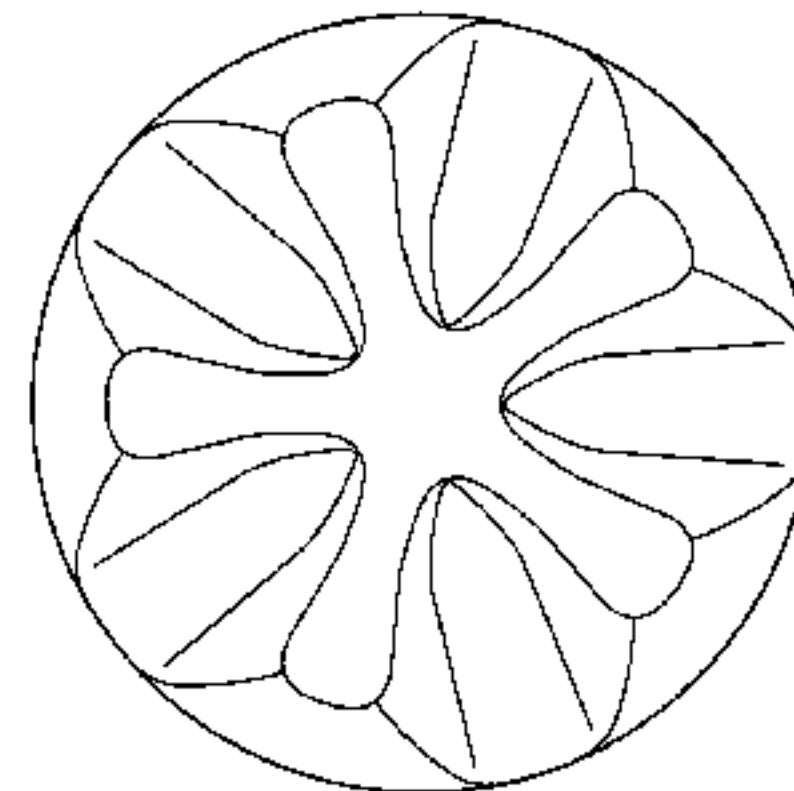
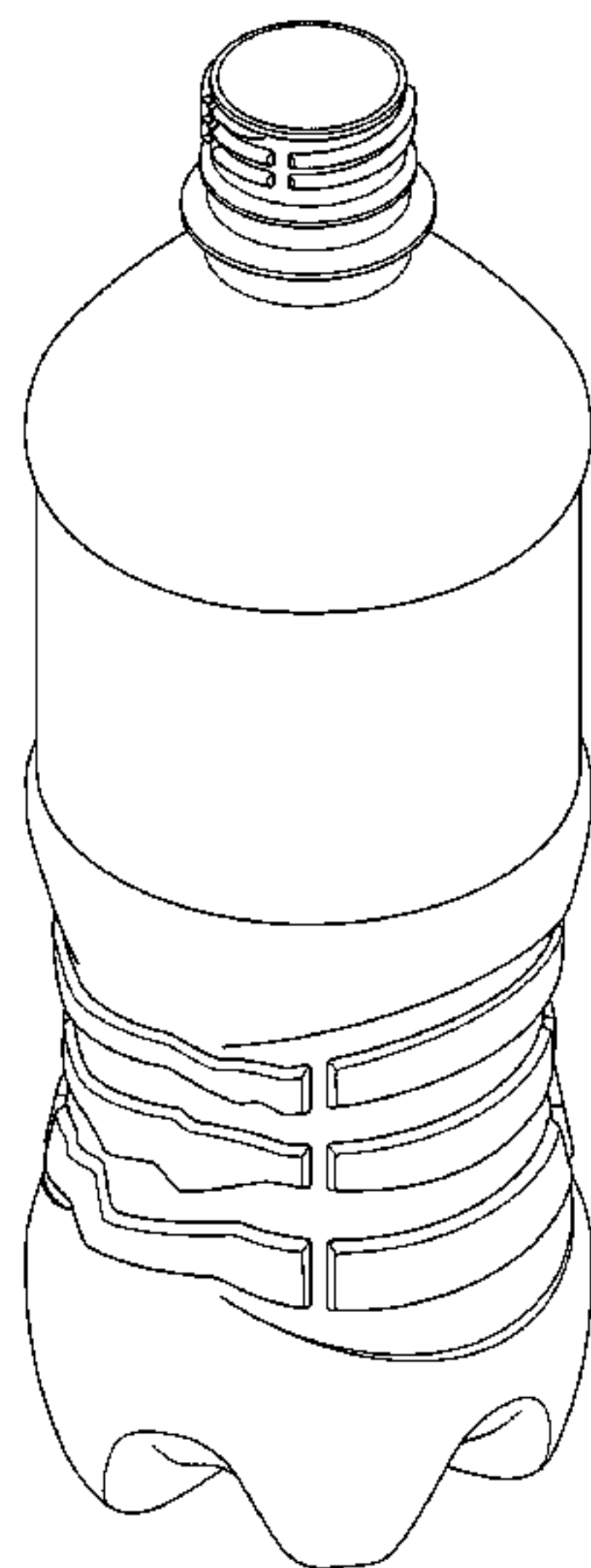
FIG. 4 is a rear view thereof;

FIG. 5 is a left view thereof;

FIG. 6 is a top view thereof; and,

FIG. 7 is a bottom view thereof.

1 Claim, 6 Drawing Sheets



US D648,222 S

Page 2

U.S. PATENT DOCUMENTS

| | | | | | | | |
|--------------|---------|----------------------|----------|-----------------|---------|---------------------|--------|
| D566,570 S * | 4/2008 | Pence et al. | D9/552 | D604,169 S | 11/2009 | Melossi | |
| D570,691 S * | 6/2008 | Robbins et al. | D9/516 | D604,171 S | 11/2009 | Burke et al. | |
| D574,718 S * | 8/2008 | Lepoitevin | D9/552 X | D605,947 S | 12/2009 | Debuire | |
| D582,778 S | 12/2008 | Burson | | D606,869 S | 12/2009 | Hackl | |
| D582,779 S * | 12/2008 | Bourne | D9/538 | D606,879 S | 12/2009 | Nelson et al. | |
| D583,672 S * | 12/2008 | Lepoitevin | D9/541 | D609,105 S | 2/2010 | Tiefenback | |
| D584,628 S * | 1/2009 | Lepoitevin | D9/538 | D610,908 S | 3/2010 | Kuzma et al. | |
| D585,294 S * | 1/2009 | Hainaut | D9/558 X | D612,252 S | 3/2010 | Nelson et al. | |
| D587,582 S * | 3/2009 | Matsuoka et al. | D9/516 | D612,265 S | 3/2010 | Nelson et al. | |
| D592,962 S | 5/2009 | Dorn et al. | | D625,607 S * | 10/2010 | Heisner et al. | D9/539 |
| D592,963 S | 5/2009 | Dorn et al. | | D626,850 S * | 11/2010 | Zoppas | D9/541 |
| D601,031 S | 9/2009 | Martinez et al. | | 2008/0110854 A1 | 5/2008 | Kelly | |
| D603,713 S | 11/2009 | James et al. | | | | | |

* cited by examiner

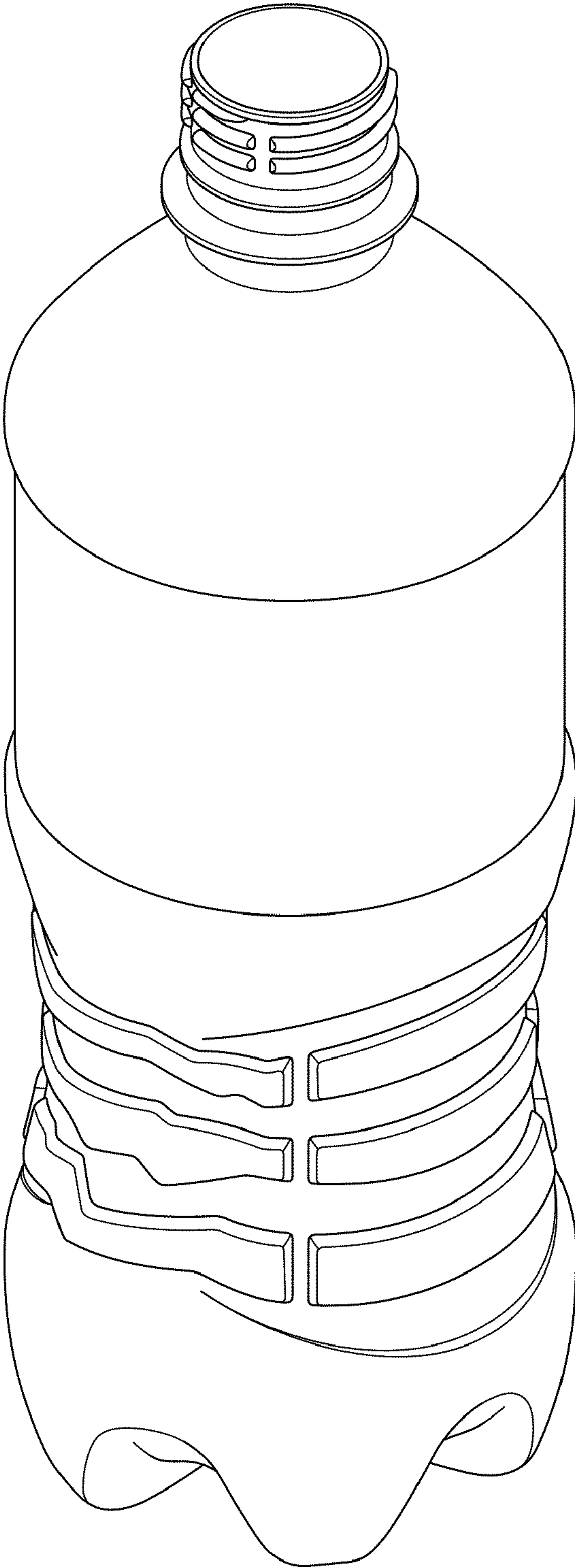


FIG. 1

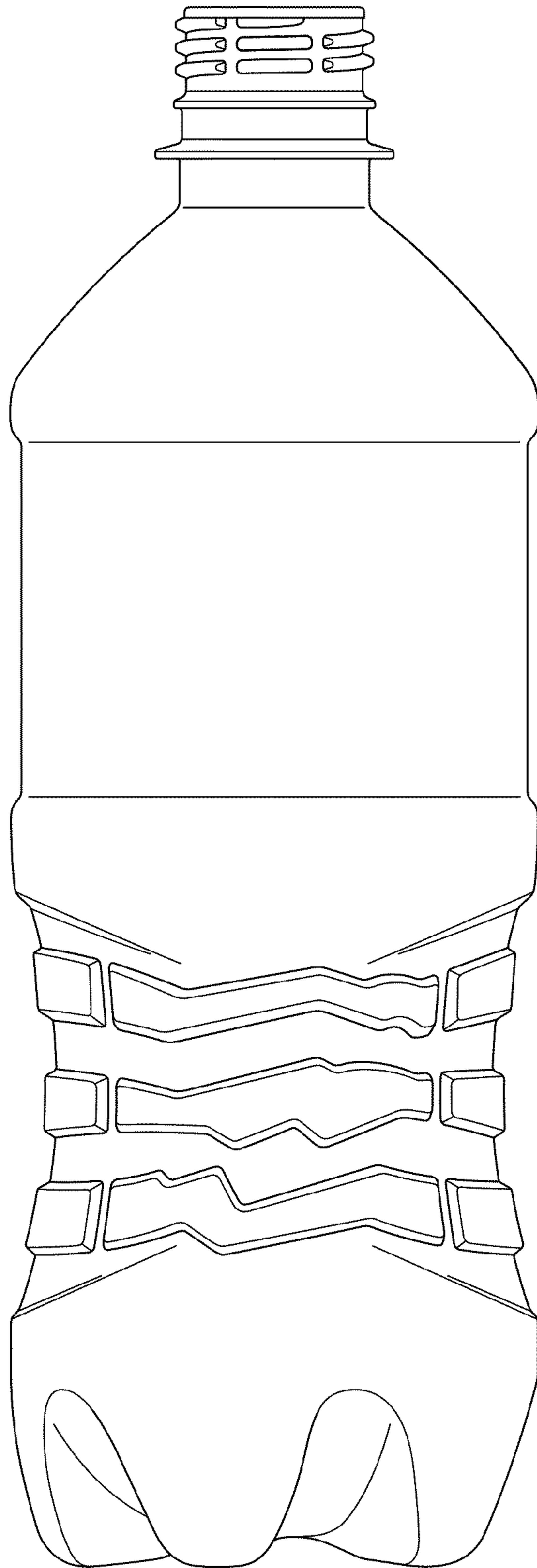


FIG. 2

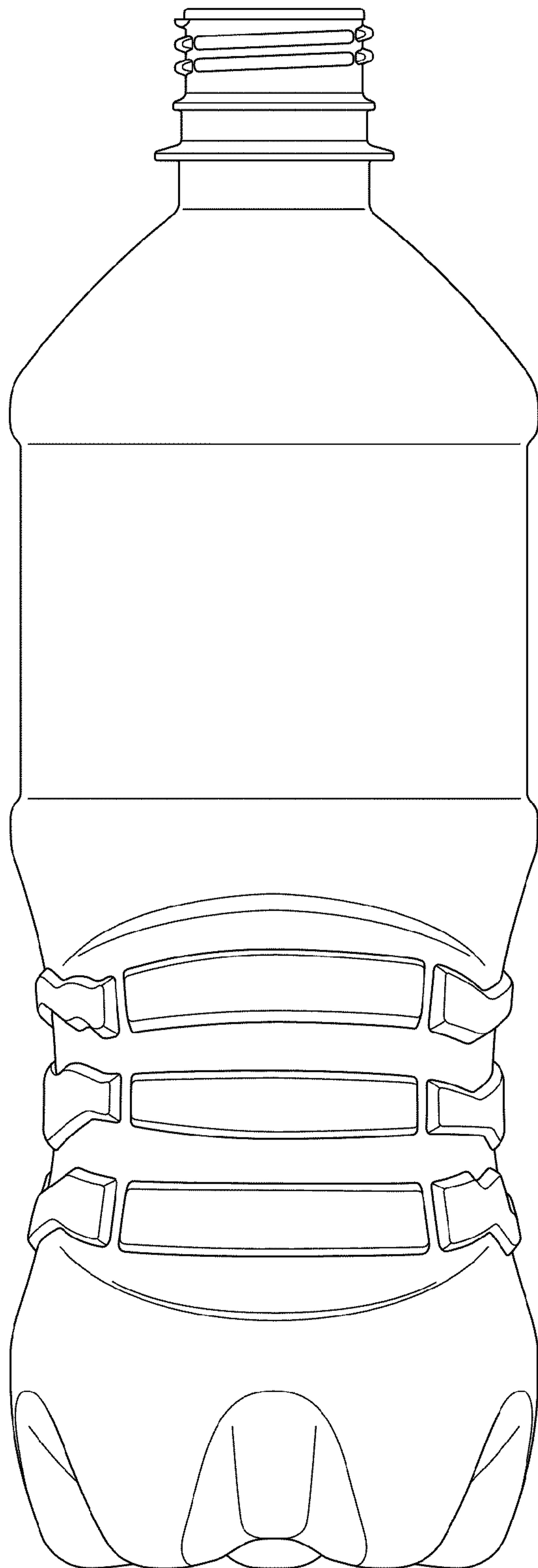


FIG. 3

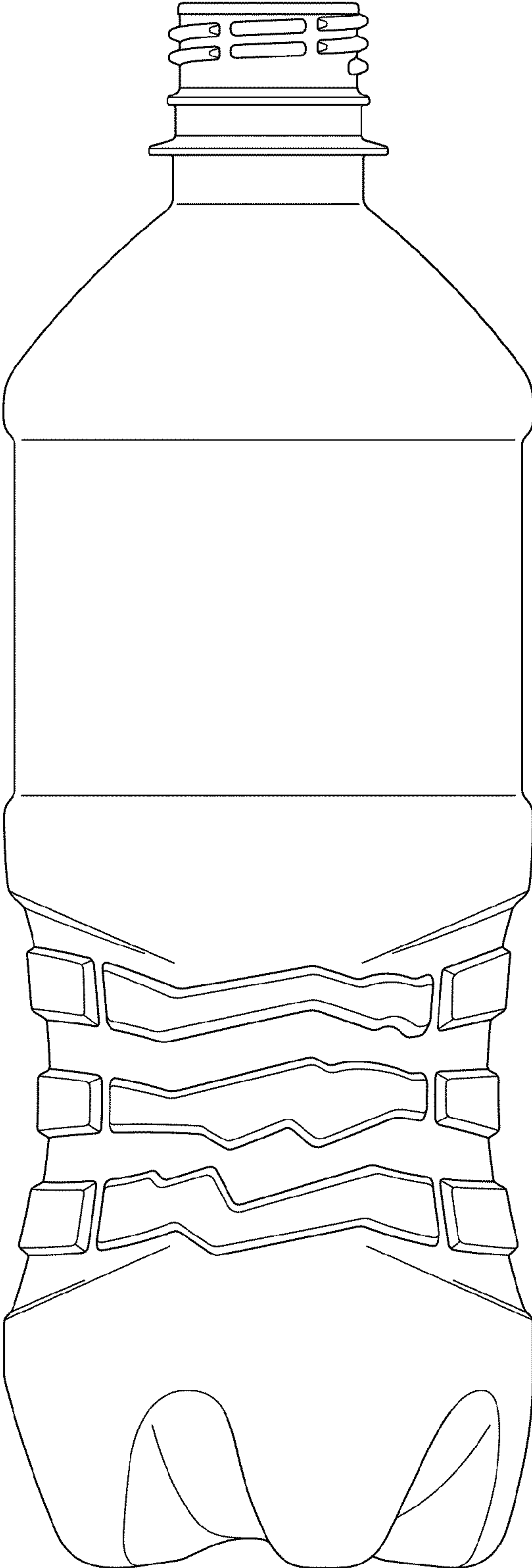


FIG. 4

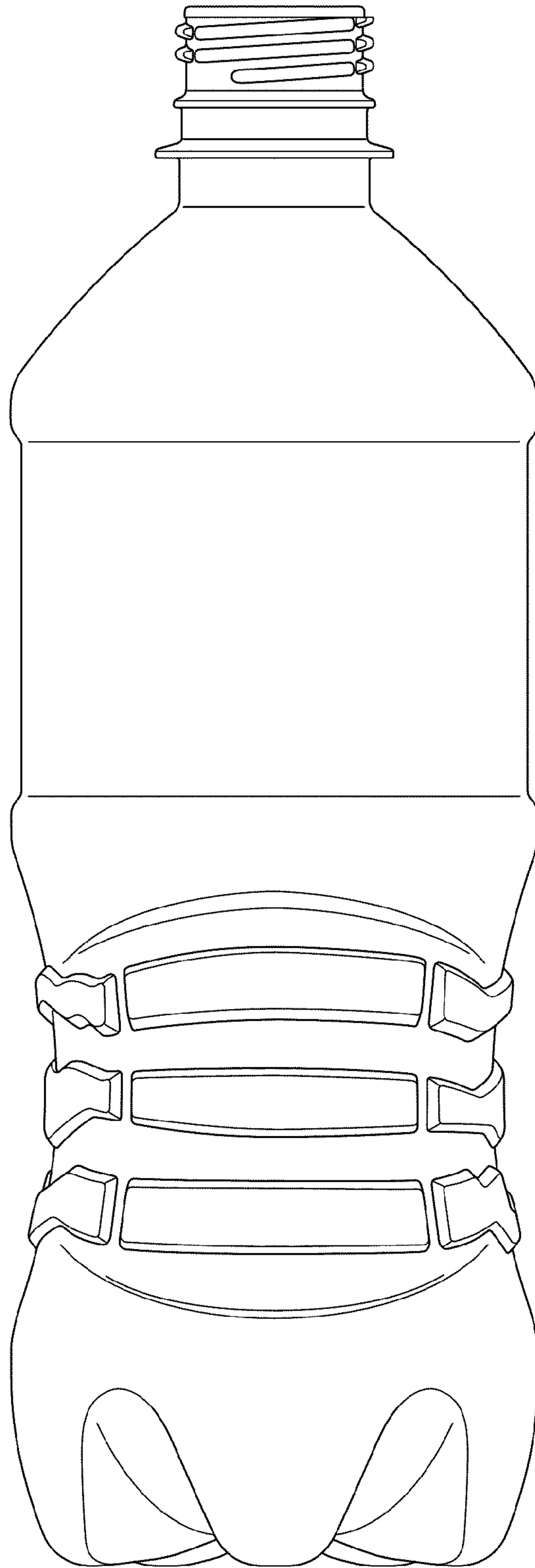


FIG. 5

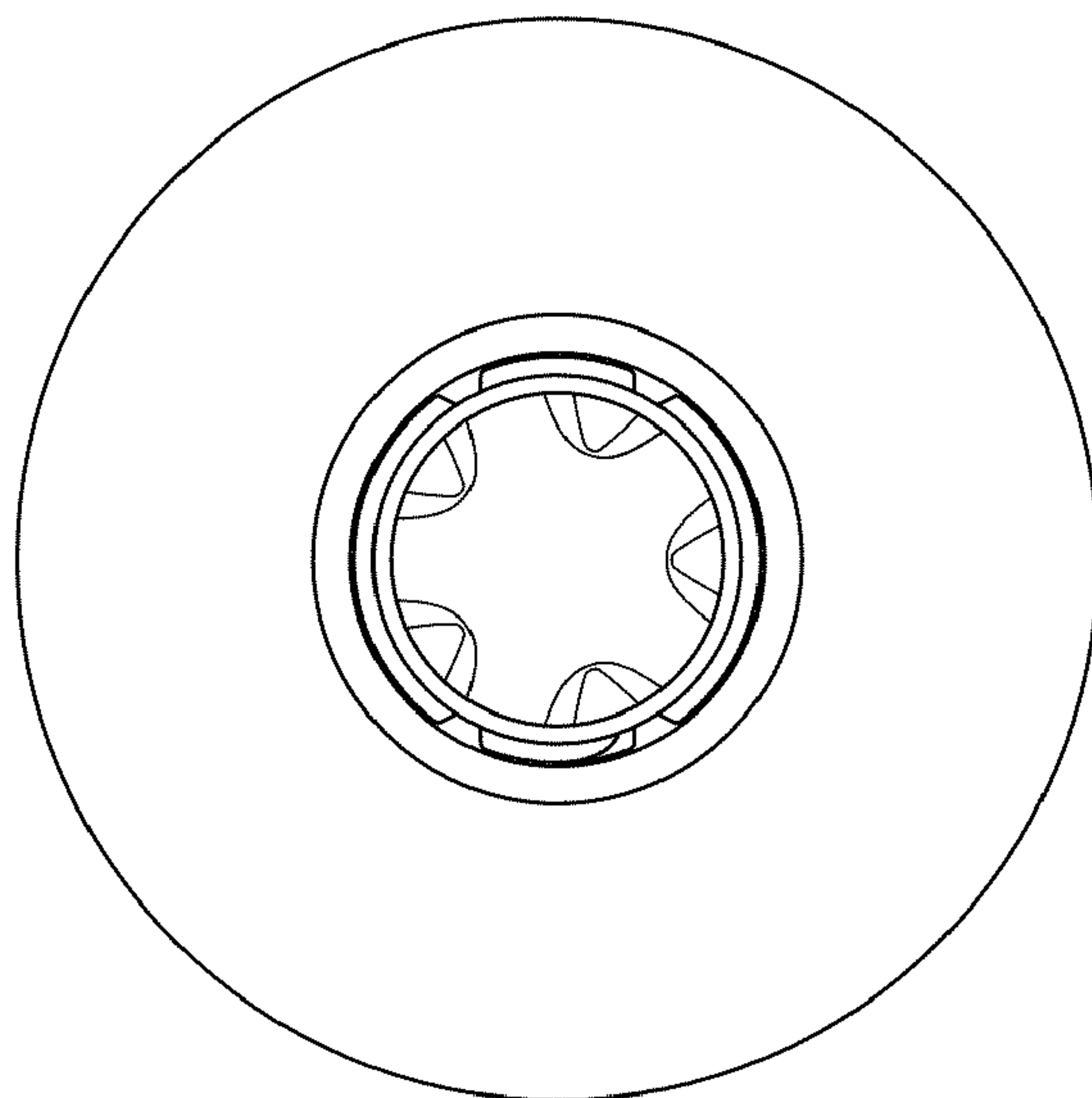


FIG. 6

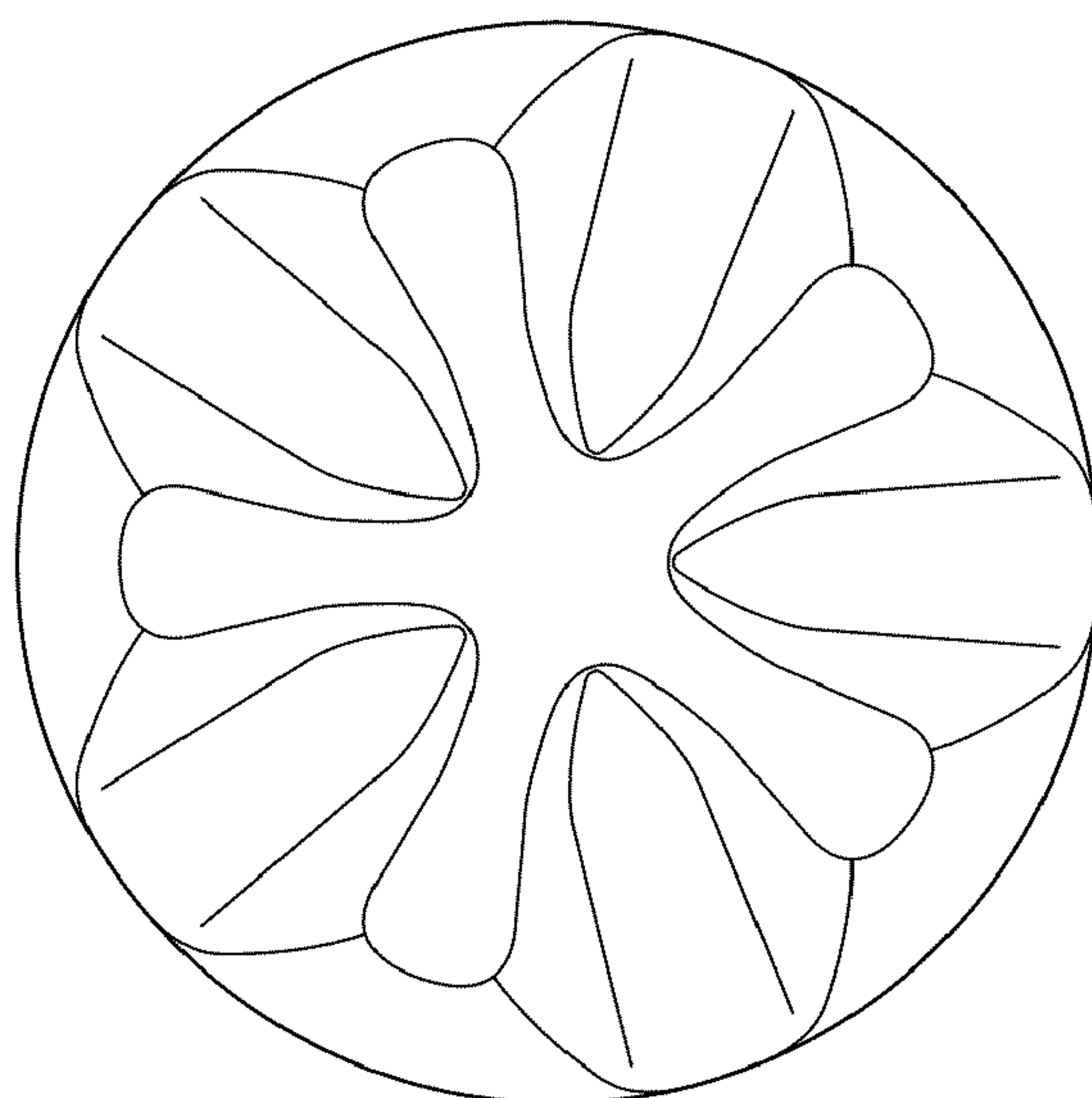


FIG. 7