



US00D648220S

(12) **United States Design Patent**
Dorn

(10) **Patent No.:** **US D648,220 S**
(45) **Date of Patent:** **** Nov. 8, 2011**

- (54) **CONTAINER BASE**
- (75) Inventor: **James C. Dorn**, Sterling, OH (US)
- (73) Assignee: **Plastipak Packaging, Inc.**, Plymouth, MI (US)
- (**) Term: **14 Years**
- (21) Appl. No.: **29/377,412**
- (22) Filed: **Oct. 21, 2010**

D575,161 S *	8/2008	Lepoitevin	D9/538
D592,964 S *	5/2009	Kissinger et al.	D9/540
D598,771 S *	8/2009	Kissinger et al.	D9/540
D623,063 S *	9/2010	Pedmo	D9/516
D627,652 S *	11/2010	Dorn	D9/516

* cited by examiner

Primary Examiner — Ian Simmons
Assistant Examiner — Dana L Sipos
(74) *Attorney, Agent, or Firm* — Mario A. Tabone

Related U.S. Application Data

- (63) Continuation-in-part of application No. 29/360,888, filed on May 3, 2010, now Pat. No. Des. 627,652.
- (51) **LOC (9) Cl.** **09-01**
- (52) **U.S. Cl.** **D9/516; D9/520**
- (58) **Field of Classification Search** D9/516, D9/520, 530, 537–543, 549–550, 556–560, D9/563, 569–575; 215/370–373, 376; 220/600, 220/602, 604–606, 608–609
See application file for complete search history.

(57) **CLAIM**
The ornamental design for a container base, as shown and described.

DESCRIPTION

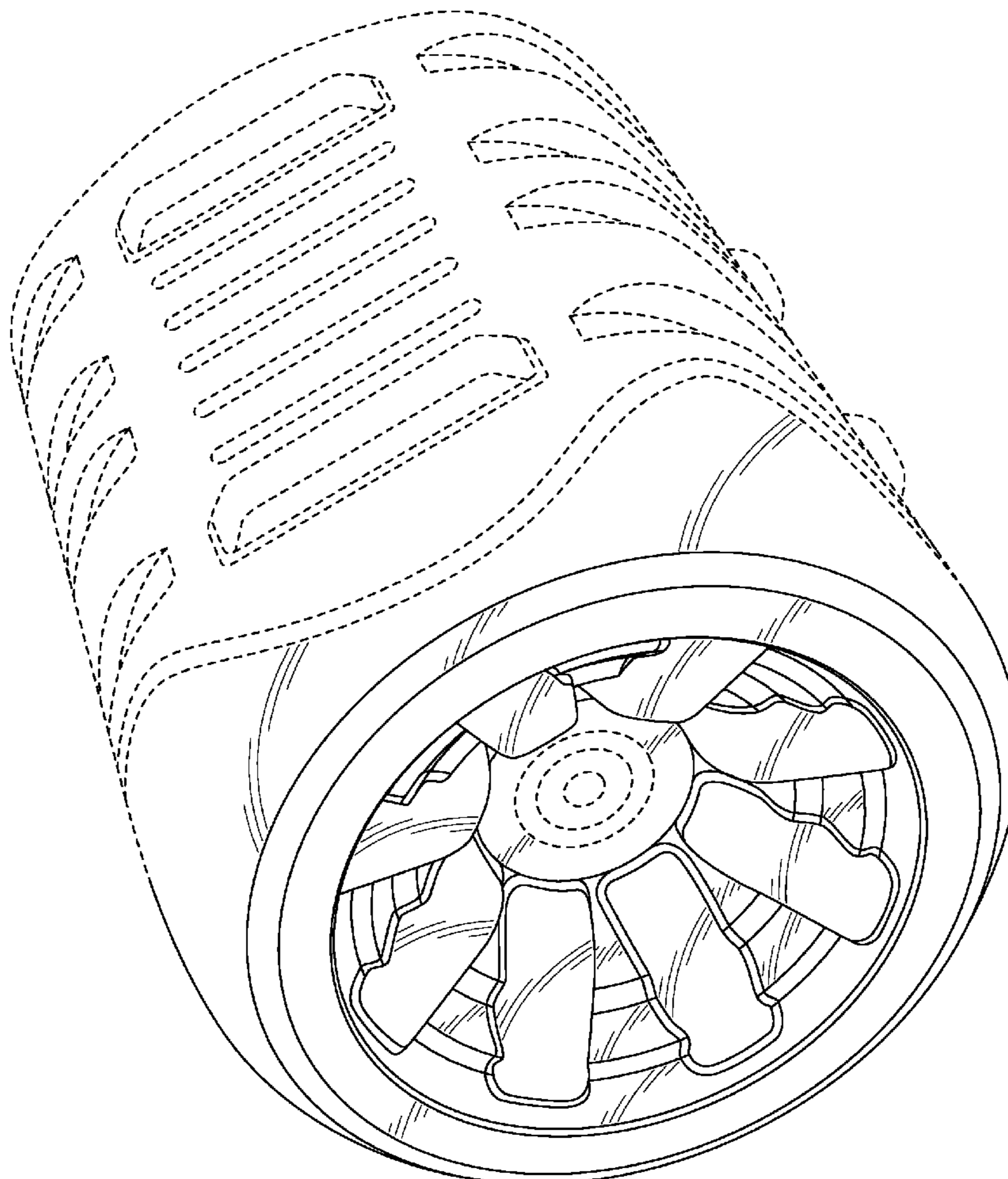
FIG. 1 is a bottom perspective view of a container base showing my new design; FIG. 2 is a bottom plan view thereof; and, FIG. 3 is a side elevation view thereof. The broken lines shown in the drawing views are for environmental purposes only and form no part of the claimed design. All sides not shown form no part of the claimed design.

(56) **References Cited**

U.S. PATENT DOCUMENTS

D551,080 S * 9/2007 Pedmo et al. D9/516

1 Claim, 3 Drawing Sheets



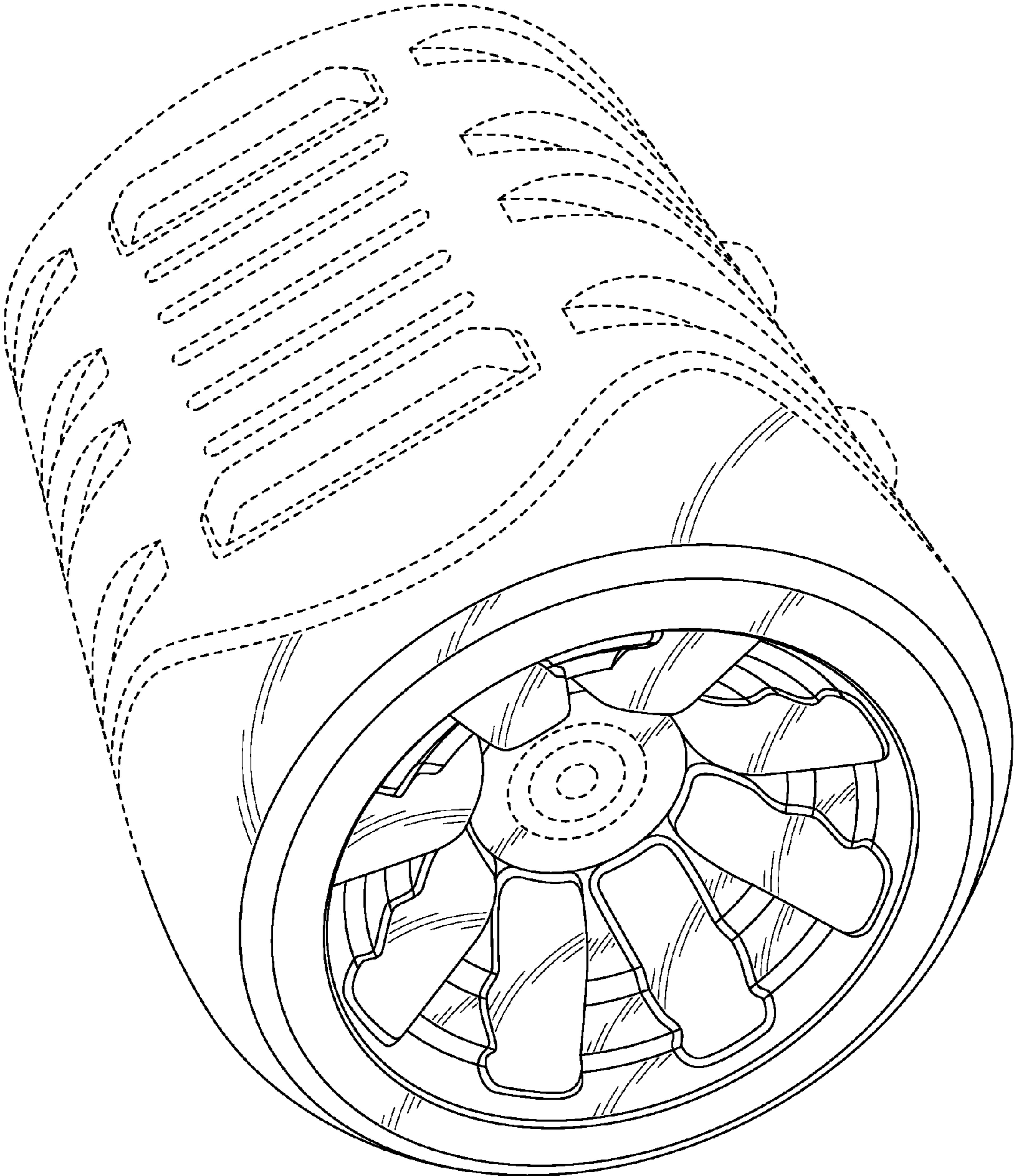


FIG. 1

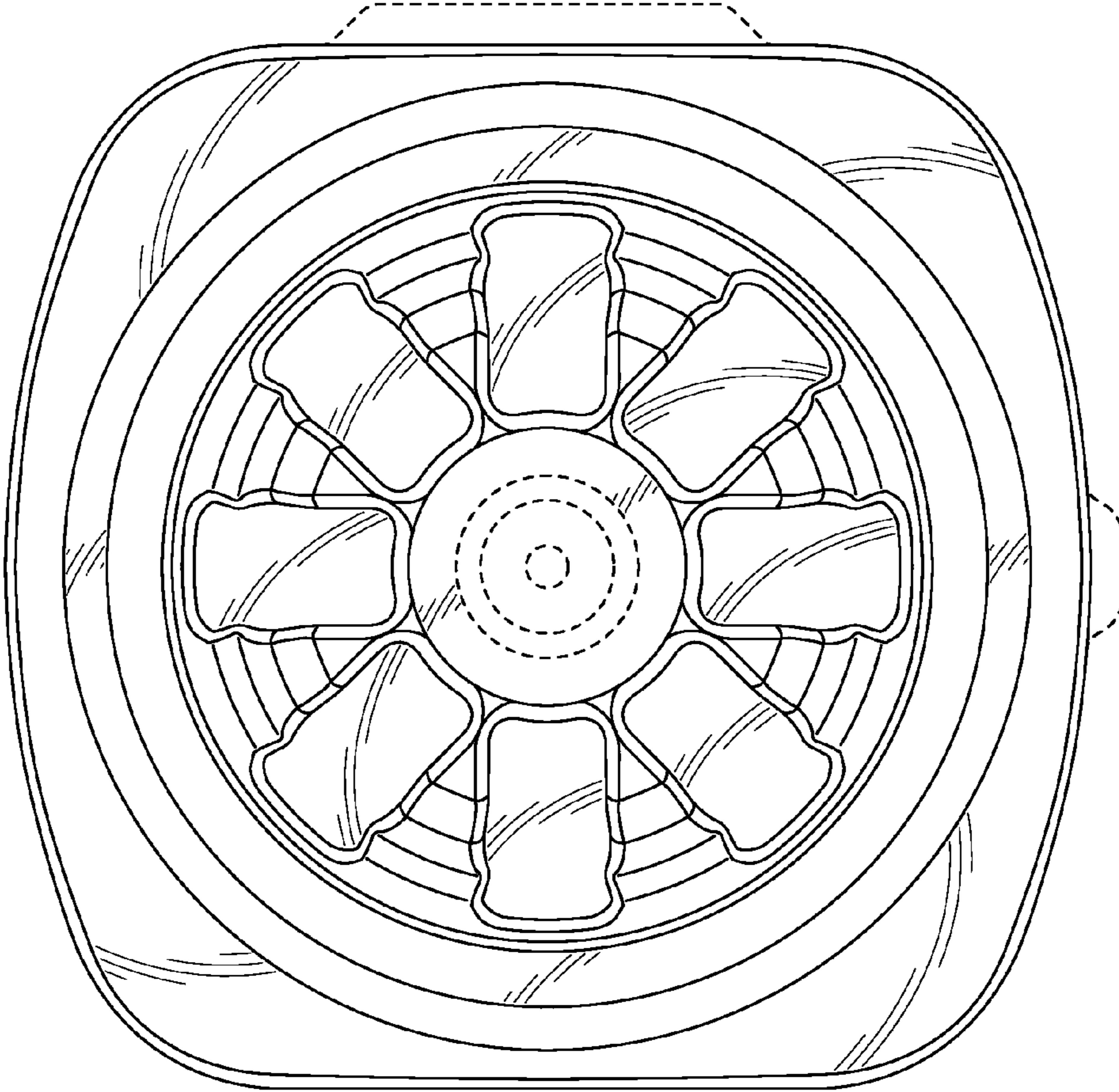


FIG. 2

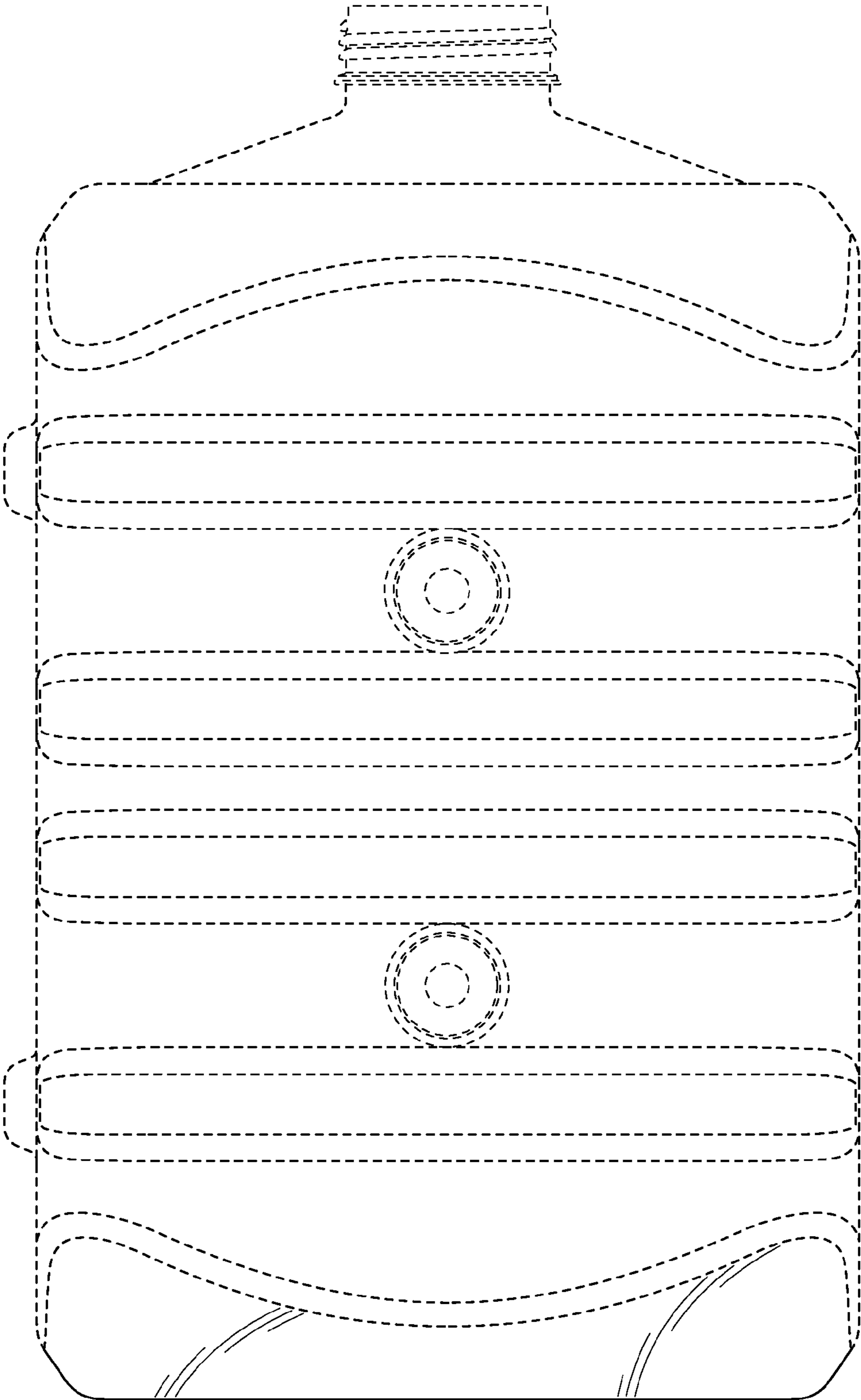


FIG. 3