

US00D648219S

(12) **United States Design Patent**  
**Coley, Jr. et al.**

(10) **Patent No.:** **US D648,219 S**  
(45) **Date of Patent:** **\*\* Nov. 8, 2011**

(54) **BOTTLE**

(75) Inventors: **Ralph T. Coley, Jr.**, Cohasset, MA (US);  
**Robert Kleinrath**,  
Lakeville-Middleboro, MA (US);  
**Masaaki Sasaki**, Matsudo (JP); **Takao**  
**Iizuka**, Koto-ku (JP); **Michael T. Lane**,  
Brooklyn, MI (US)

(73) Assignee: **Ocean Spray Cranberries, Inc.**,  
Lakeville-Middleboro, MA (US)

(\*\*) Term: **14 Years**

(21) Appl. No.: **29/311,815**

(22) Filed: **Jun. 30, 2009**

(51) **LOC (9) Cl.** ..... **09-01**

(52) **U.S. Cl.** ..... **D9/516; D9/542; D9/563; D9/564;**  
**D9/565; D9/566**

(58) **Field of Classification Search** ..... **D9/516,**  
**D9/520, 530, 531, 535, 536, 541, 542, 543,**  
**D9/559, 560, 563, 564, 565, 566, 569, 570,**  
**D9/571, 574; 215/381-385; 220/660, 662,**  
**220/665, 669, 675**

See application file for complete search history.

(56) **References Cited**

**U.S. PATENT DOCUMENTS**

D22,058 S	12/1892	Rockwood
D58,077 S	6/1921	Eckl
D62,784 S	7/1923	Marble
D64,125 S	3/1924	Miller
D68,732 S	11/1925	Root
3,784,040 A	1/1974	Douglas
D294,120 S	2/1988	Griesing et al.
D294,679 S	3/1988	Griesing et al.
D300,005 S	2/1989	Jacobs et al.
4,805,788 A	2/1989	Akiho
4,850,493 A	7/1989	Howard, Jr.
D308,482 S	6/1990	Wild
4,949,861 A	8/1990	Cochran

D315,678 S	3/1991	Darr
5,067,622 A	11/1991	Garver et al.
5,158,817 A	10/1992	Krishnakumar
5,217,128 A	6/1993	Stenger et al.

(Continued)

**FOREIGN PATENT DOCUMENTS**

JP	565158	3/1993
----	--------	--------

(Continued)

**OTHER PUBLICATIONS**

Coley, Jr., U.S. Appl. No. 29/311,818, filed Jun. 30, 2009.

(Continued)

*Primary Examiner* — Elizabeth J Oswecki

(74) *Attorney, Agent, or Firm* — Nixon & Vanderhye P.C.

(57) **CLAIM**

The ornamental design for a bottle, as shown and described.

**DESCRIPTION**

FIG. 1 is a front view of a bottle showing our new design, with the rear view being identical (with the exception of the phantom-line threaded portion on the neck);

FIG. 2 is a left side view thereof, with the right side view thereof being identical (with the exception of the phantom-line threaded portion on the neck);

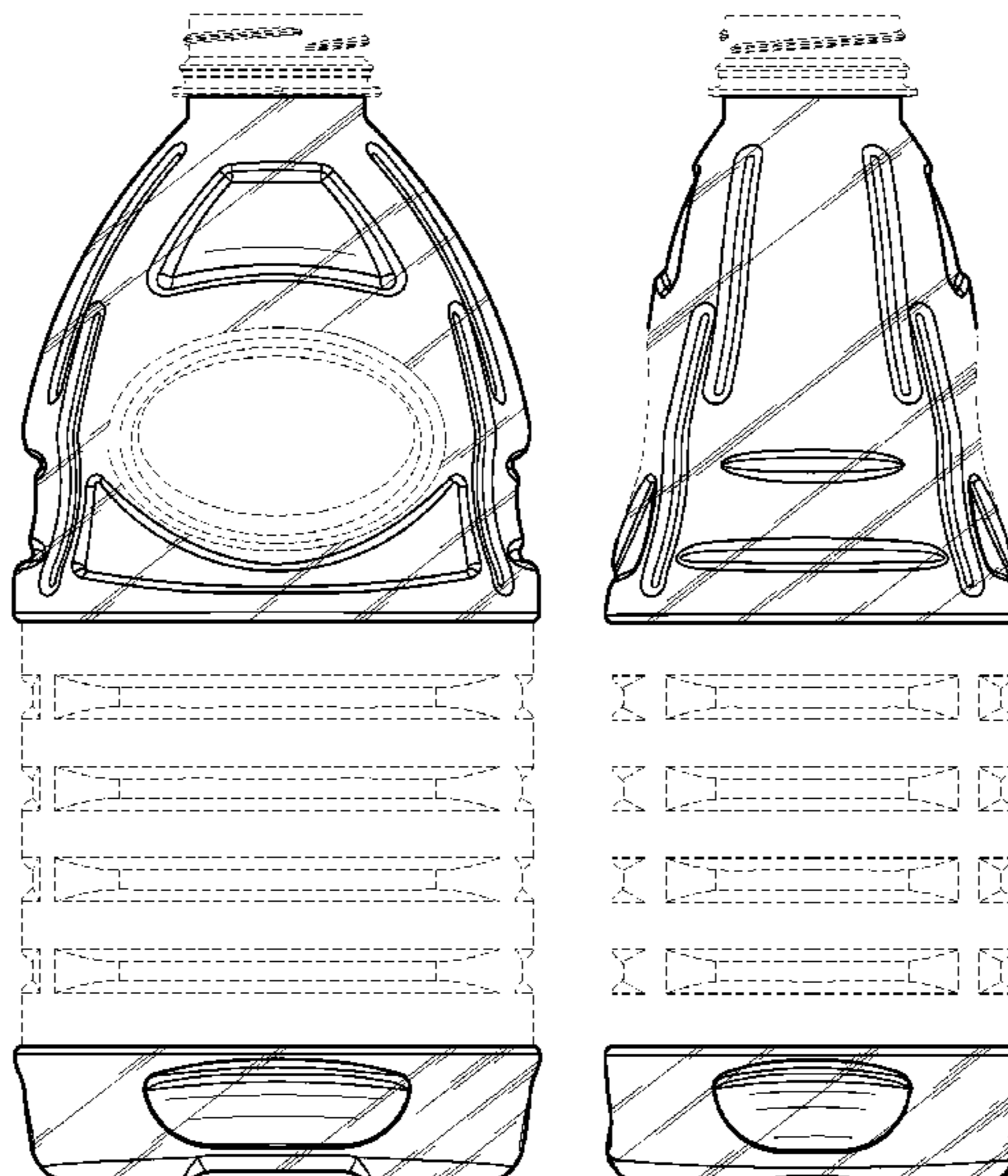
FIG. 3 is a top view thereof; and,

FIG. 4 is a bottom view thereof.

Throughout the various figures of the drawings, certain views may not be provided. The omission of a particular view is intended to convey that the element(s) depicted is/are plain and unornamented in that omitted view, or that the particular ornamental appearance in that view is simply not claimed.

The broken lines showing environment or structure of the bottle are for illustrative purposes only and form no part of the claimed design.

**1 Claim, 3 Drawing Sheets**



# US D648,219 S

## U.S. PATENT DOCUMENTS

5,222,615	A	6/1993	Ota et al.	
5,238,129	A	8/1993	Ota	
5,246,122	A	9/1993	Schick et al.	
5,269,437	A	12/1993	Gygax	
D346,556	S	5/1994	Sirico et al.	
D347,391	S	5/1994	Guertin	
5,337,909	A	8/1994	Vaillencourt	
D354,000	S	1/1995	Hoyt	
5,593,056	A	1/1997	Mero et al.	
D388,330	S	12/1997	Zimmer	
5,713,480	A	2/1998	Petre et al.	
D392,188	S	3/1998	Darr et al.	
5,732,838	A	3/1998	Young	
5,735,421	A	4/1998	Deemer et al.	
5,758,790	A	6/1998	Ewing, Jr.	
5,762,221	A	6/1998	Tobias et al.	
5,833,115	A	11/1998	Eiten	
5,848,516	A	12/1998	Ban	
D408,739	S	4/1999	Satterfield et al.	
5,908,127	A	6/1999	Weick et al.	
5,971,184	A	10/1999	Krishnakumar et al.	
5,988,417	A	11/1999	Cheng et al.	
6,016,932	A	1/2000	Gaydosh et al.	
6,029,837	A	2/2000	Slat et al.	
D421,721	S	3/2000	Guertin	
D428,338	S	7/2000	Iizuka et al.	
6,095,360	A	8/2000	Shmagin et al.	
6,112,925	A	9/2000	Nahill et al.	
6,149,024	A	11/2000	Deemer et al.	
6,161,713	A	12/2000	Krich	
6,213,326	B1	4/2001	Denner et al.	
6,264,053	B1	7/2001	Slat	
D451,032	S *	11/2001	Iizuka et al.	D9/559
D452,444	S	12/2001	Iizuka et al.	
D454,069	S	3/2002	Guislain	
D454,072	S	3/2002	Harrity et al.	
D459,234	S *	6/2002	Bourque et al.	D9/543
6,467,639	B2	10/2002	Mooney	
6,569,376	B2	5/2003	Wurster et al.	
6,575,321	B2 *	6/2003	Bourque et al.	215/384
D481,318	S	10/2003	Iizuka et al.	
6,637,612	B2	10/2003	Maczek	
6,662,961	B2	12/2003	Yourist	
6,666,001	B2	12/2003	Mero	
6,672,468	B1	1/2004	Mount et al.	
6,672,470	B2	1/2004	Wurster et al.	
6,749,075	B2	6/2004	Bourque et al.	
6,752,284	B1	6/2004	Akiyama et al.	
D503,627	S	4/2005	Johnston et al.	
D507,746	S *	7/2005	Sasaki et al.	D9/516
6,913,405	B2	7/2005	Fischer et al.	
6,926,163	B2	8/2005	Darr et al.	
6,974,047	B2	12/2005	Kelley et al.	
6,981,604	B2	1/2006	IIZUKA et al.	
6,997,336	B2	2/2006	Yourist et al.	
6,998,091	B2	2/2006	Iizuka et al.	

7,004,342	B2	2/2006	Bourque et al.	
7,017,763	B2	3/2006	Kelley	
7,055,711	B2	6/2006	Sasaki et al.	
7,059,486	B2	6/2006	Van Der Heijden et al.	
7,066,345	B2	6/2006	Itokawa et al.	
D525,527	S *	7/2006	Ogg	D9/516
D525,528	S *	7/2006	Lane et al.	D9/516
D526,198	S *	8/2006	Sasaki et al.	D9/516
D527,266	S	8/2006	Yourist et al.	
7,097,061	B2	8/2006	Simpson, Jr. et al.	
D528,421	S *	9/2006	Sasaki et al.	D9/516
D528,427	S *	9/2006	Sasaki et al.	D9/541
D533,782	S *	12/2006	Ogg et al.	D9/516
D547,670	S *	7/2007	Heisner	D9/658
D560,496	S *	1/2008	Heisner	D9/516
D561,038	S *	2/2008	Yourist et al.	D9/541
D564,890	S *	3/2008	Coley et al.	D9/541
D565,962	S *	4/2008	Sasaki et al.	D9/567
D568,167	S *	5/2008	Sasaki et al.	D9/560
D568,169	S	5/2008	Sasaki et al.	
D569,257	S *	5/2008	Yourist et al.	D9/516
D574,715	S *	8/2008	Sasaki et al.	D9/542
D576,493	S *	9/2008	Coley et al.	D9/516
D577,594	S *	9/2008	Sasaki et al.	D9/542
D578,400	S *	10/2008	Sasaki et al.	D9/542
D586,664	S *	2/2009	Darr et al.	D9/745
D589,803	S *	4/2009	Sasaki et al.	D9/516
D598,774	S *	8/2009	Schlies et al.	D9/541
D598,782	S *	8/2009	Sasaki et al.	D9/564
2001/0037992	A1	11/2001	Tanabe et al.	
2003/0116526	A1	6/2003	Mehanna	
2003/0161980	A1	8/2003	Nelson	
2003/0205550	A1	11/2003	Prevot et al.	
2004/0129669	A1 *	7/2004	Kelley et al.	215/382
2004/0164046	A1	8/2004	Kelley	
2004/0164047	A1	8/2004	White	
2005/0211660	A1	9/2005	Galownia et al.	
2005/0211661	A1	9/2005	Galownia et al.	
2005/0218107	A1	10/2005	Sabold et al.	
2006/0151425	A1	7/2006	Kelley et al.	
2006/0175283	A1	8/2006	Piccioli et al.	
2006/0207962	A1	9/2006	Coley, Jr. et al.	
2007/0045222	A1 *	3/2007	Denner et al.	215/382

## FOREIGN PATENT DOCUMENTS

WO WO 2004/094261 A1 11/2004

## OTHER PUBLICATIONS

Coley, Jr., U.S. Appl. No. 12/458,114, filed Jun. 30, 2009.  
 Iizuka et al., U.S. Appl. No. 60/144,243, filed Jul. 19, 1999.  
 Screen Shot A from advertisement airing Mar. 3, 2008.  
 Screen Shot B from advertisement airing Mar. 3, 2008.  
 Screen Shot C from advertisement airing Mar. 23, 2009.  
 Screen Shot D from advertisement airing Jan. 12, 2009.

\* cited by examiner

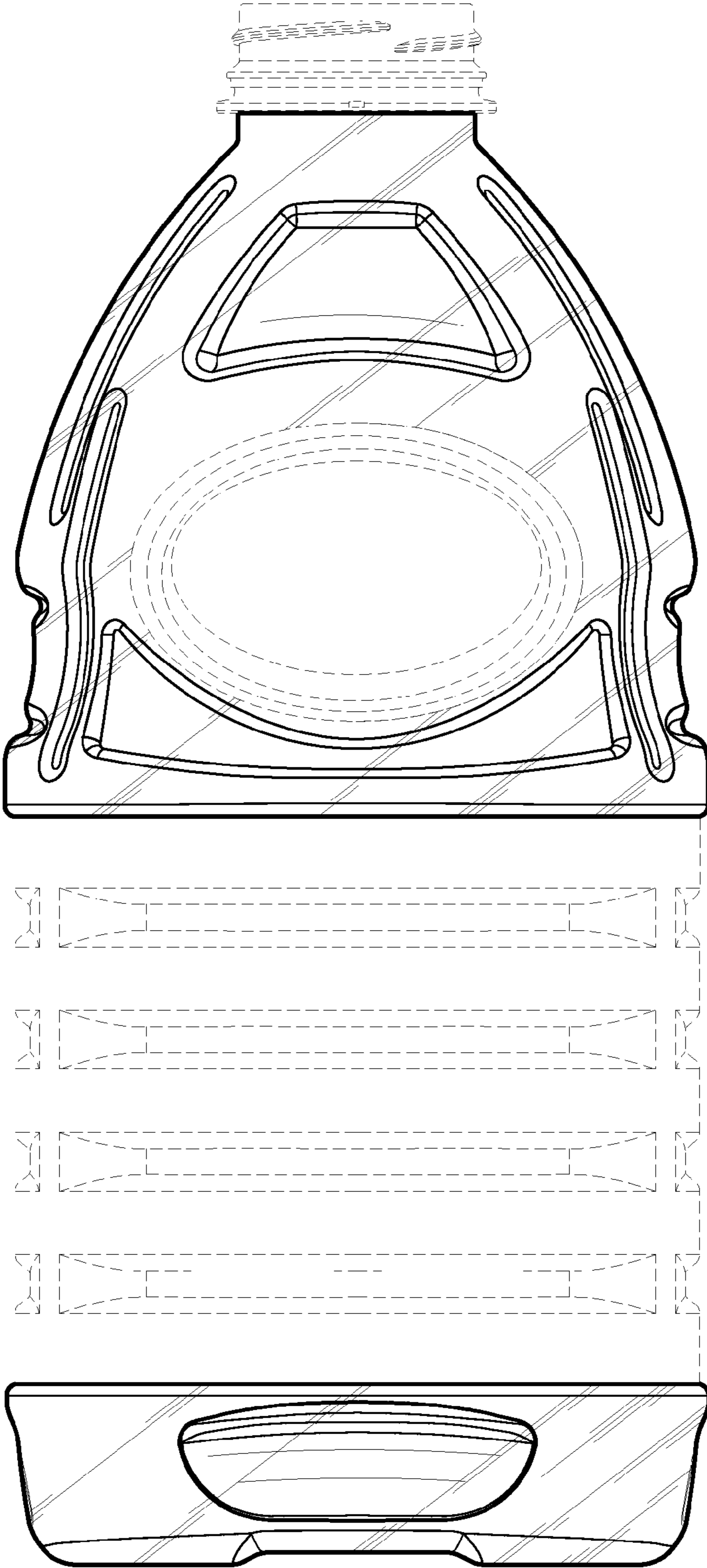


FIG. 1

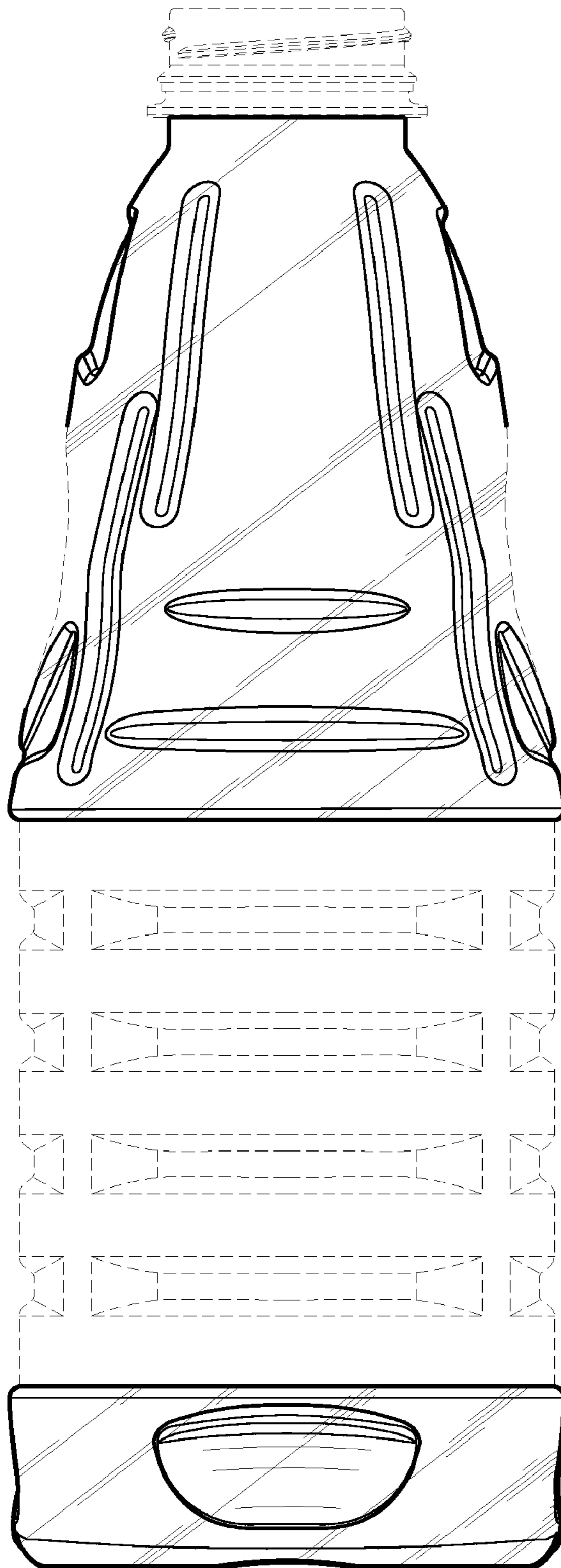
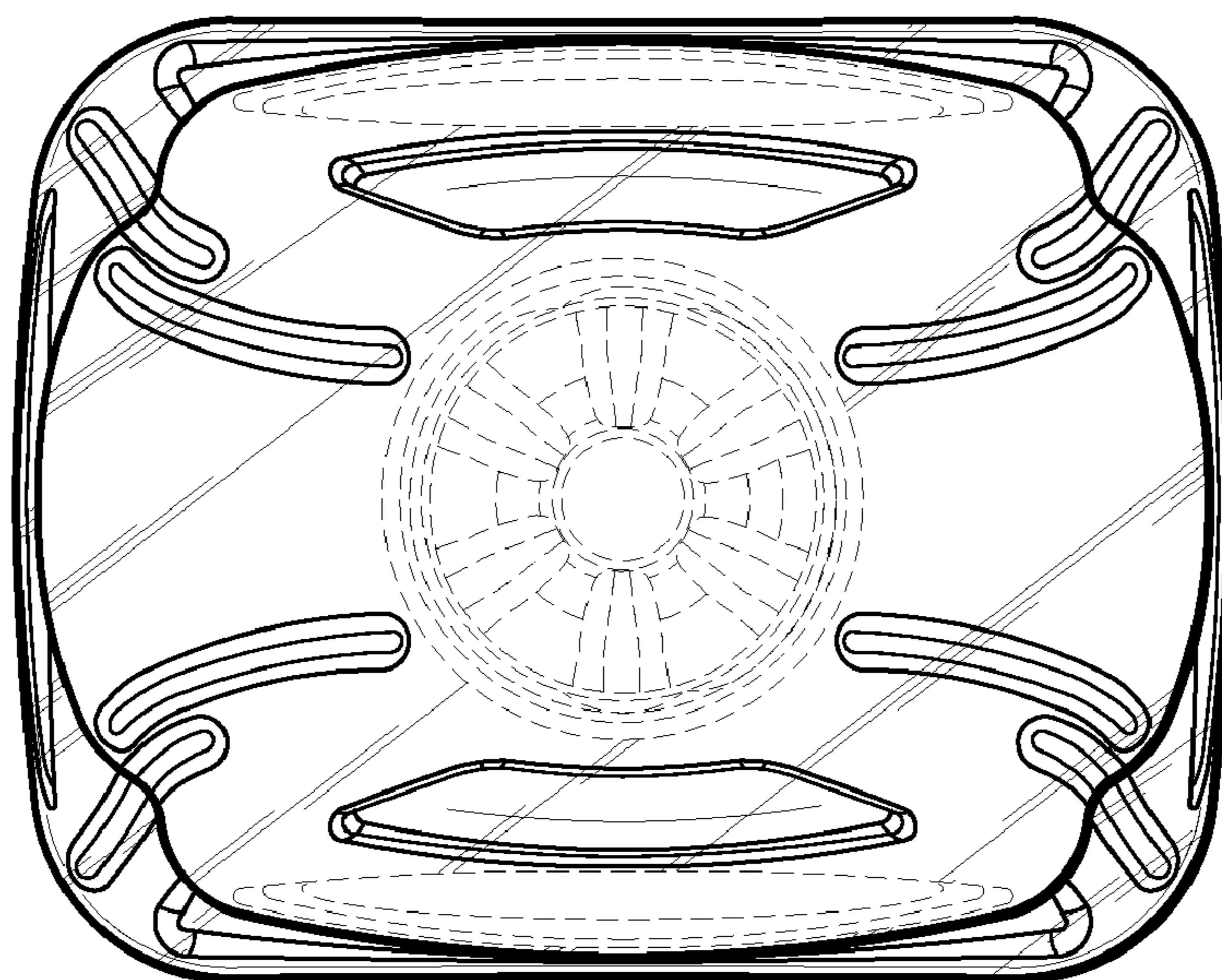
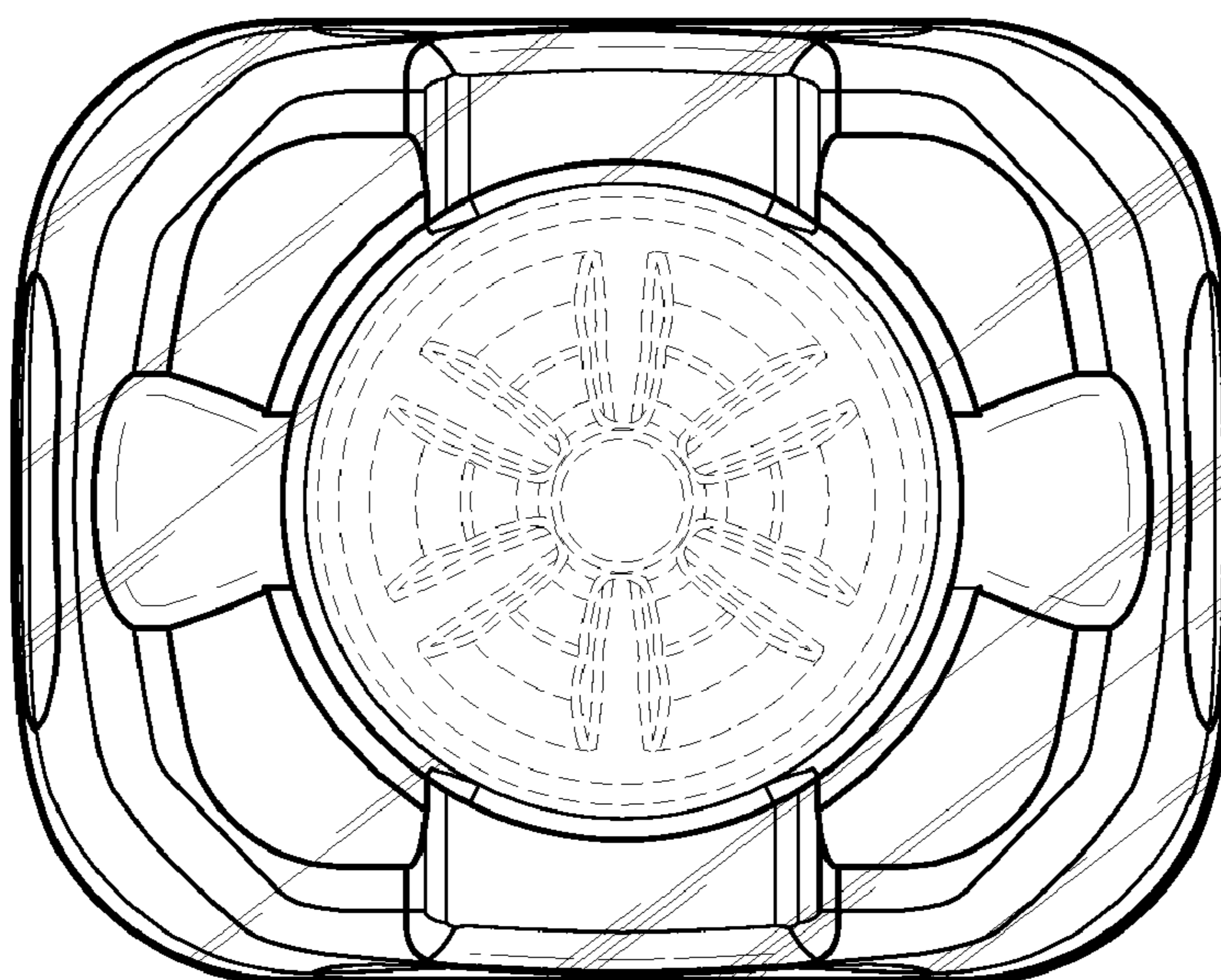


FIG. 2



**FIG. 3**



**FIG. 4**