



US00D648216S

(12) **United States Design Patent**
Christianson

(10) **Patent No.:** **US D648,216 S**

(45) **Date of Patent:** **** Nov. 8, 2011**

(54) **ACTUATOR NOZZLE FOR A DIFFUSION
DEVICE**

(75) Inventor: **Jeffrey J. Christianson**, Oak Creek, WI
(US)

(73) Assignee: **S.C. Johnson & Son, Inc.**, Racine, WI
(US)

6,622,890	B2	9/2003	Gueret	
D541,652	S *	5/2007	Arminak	D9/448
7,222,760	B1	5/2007	Tsay	
D570,216	S *	6/2008	Arminak	D9/448
D608,600	S *	1/2010	Wood et al.	D7/605
D632,586	S *	2/2011	Bowers et al.	D9/685
2001/0032887	A1	10/2001	Everett	
2008/0283625	A1	11/2008	Bedford et al.	

FOREIGN PATENT DOCUMENTS

(**) Term: **14 Years**

(21) Appl. No.: **29/353,830**

(22) Filed: **Jan. 14, 2010**

(51) **LOC (9) Cl.** **09-07**

(52) **U.S. Cl.** **D9/448**

(58) **Field of Classification Search** D9/686-694,
D9/685, 682, 456, 455, 448, 447, 445, 443,
D9/438, 434; D7/605, 387, 213; D32/61;
23/226; 40/307; 239/459, 333, 331; 222/635,
222/631, 566, 556, 402, 402.13, 402.11,
222/383.1, 321.9, 321.8, 321.7, 320, 251;
220/915, 269, 268, 258.5

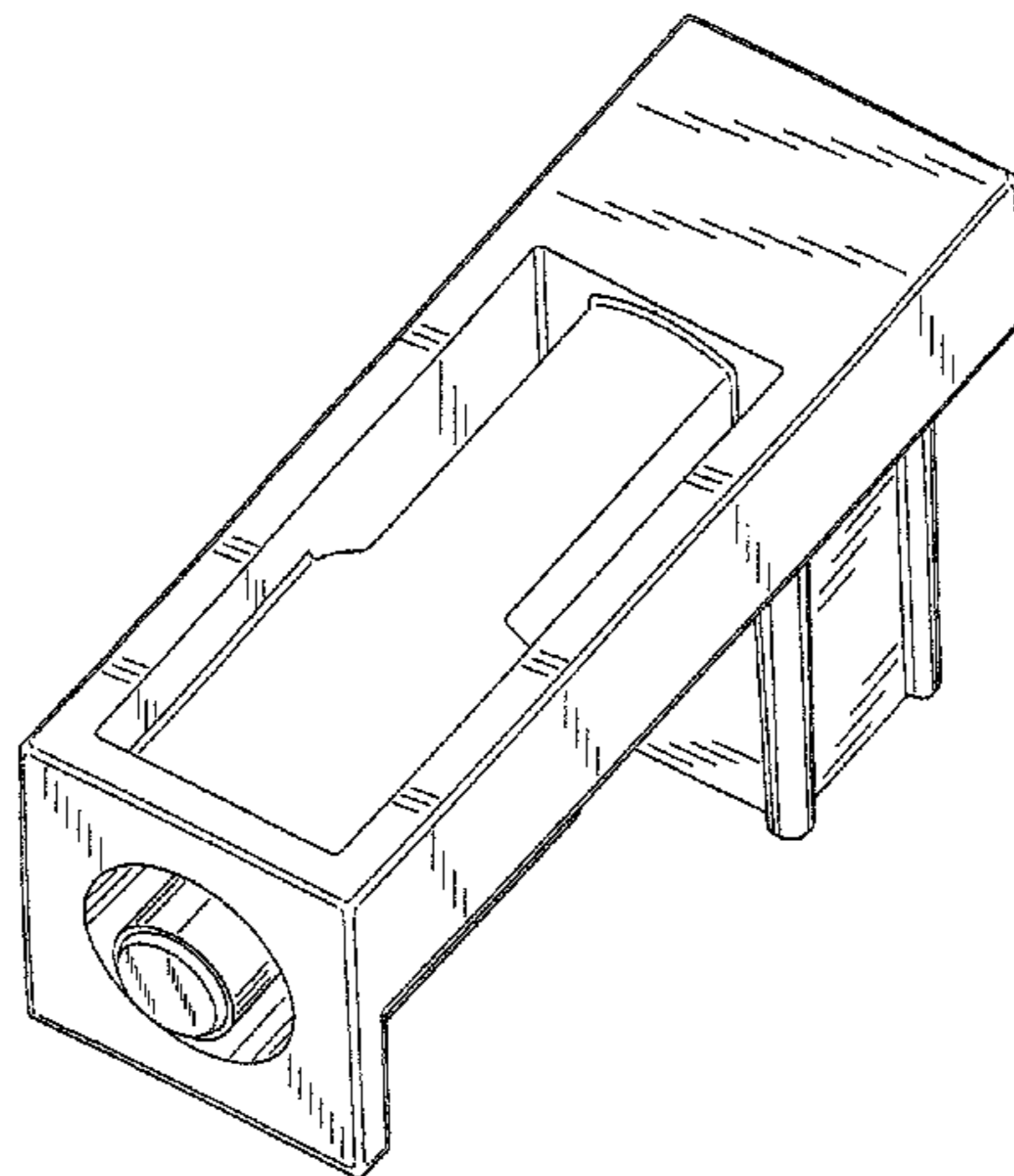
See application file for complete search history.

(56) **References Cited**

U.S. PATENT DOCUMENTS

2,697,446	A	12/1954	Harrington	
3,327,899	A	6/1967	Reynolds et al.	
3,805,869	A	4/1974	Winter et al.	
3,924,805	A	12/1975	Nebeker et al.	
D242,226	S *	11/1976	Lonegren	D9/448
4,131,236	A	12/1978	Saunders	
4,342,425	A	8/1982	Vickers	
4,622,714	A	11/1986	Tomasello	
4,878,785	A	11/1989	Heron et al.	
D353,321	S *	12/1994	Steijns et al.	D9/685
5,641,125	A	6/1997	Martin et al.	
D381,580	S	7/1997	Kokenge et al.	
5,765,730	A	6/1998	Richter	
D435,447	S *	12/2000	Lee	D9/448
D438,111	S	2/2001	Woods	
6,257,444	B1	7/2001	Everett	
6,286,766	B1	9/2001	Mitsui et al.	
6,296,147	B1	10/2001	Trocola et al.	
6,439,430	B1	8/2002	Gilroy, Sr. et al.	

AU	329148	1/2010
AU	329149	1/2010
AU	329176	1/2010
AU	329177	1/2010
CA	2001089	3/1991
CA	2090185	8/1993
CA	2099849	10/1994
CA	2215526	10/1996
CA	2181319	2/1997
CA	2294846	1/1999
CA	2308458	5/1999
CA	2262226	8/1999
CA	2327934	10/1999
CA	2322208	7/2000
CA	2385089	4/2001
CA	2327903	6/2001
CA	2482983	10/2003
CA	2467824	12/2003
CA	2450303	5/2004
CA	2516251	8/2004
CA	2519704	10/2004
CA	2546478	6/2005
CA	2560405	10/2005
CA	2563568	11/2005
CA	2568148	12/2005
CA	2574342	2/2006
CA	2587652	6/2006
CA	2588580	6/2006
CA	2590623	6/2006
CA	2618034	2/2007
CA	2618095	2/2007
CA	115678	6/2007
CA	2644235	10/2007
CA	2656031	12/2007
CA	2656750	1/2008
CA	2595847	2/2008
CA	2668066	5/2008
CA	2670319	5/2008
DE	M9102620-0001	11/1991
DE	402009000106-0002	4/2009
EM	001149470-0001	6/2009
EM	001149470-0002	6/2009



Shanghai Golden Aerosol Co., Ltd. product pages of an aerosol actuator from Alibaba.com website [online] [retrieved on Jan. 21, 2011], 2 pages. Retrieved from <URL: http://www.alibaba.com/product-gs/339202778/aerosol_actuator.html>.

Shanghai Golden Aerosol Co, Ltd. product pages of an aerosol actuator from Alibaba.com website [online] [retrieved on Jan. 19, 2011], 2 pages. Retrieved from <URL: http://www.alibaba.com/product-gs/339204056/aerosol_actuator.html>.

Shanghai Golden Aerosol Co., Ltd. product pages of an aerosol actuator from Alibaba.com website [online] [retrieved on Jan. 21, 2011], 2 pages. Retrieved from <URL: http://www.alibaba.com/product-gs/339204640/aerosol_actuator.html>.

Shanghai Golden Aerosol Co., Ltd. product pages of an aerosol actuator from Alibaba.com website [online] [retrieved on Jan. 21, 2011], 2 pages. Retrieved from <URL: http://www.alibaba.com/product-gs/339206092/aerosol_actuator.html>.

Shanghai Golden Aerosol Co, Ltd. product pages of an aerosol actuator from Alibaba.com website [online] [retrieved on Jan. 25, 2011], 2 pages. Retrieved from <URL: http://www.alibaba.com/product-gs/339214881/aerosol_actuator.html>.

Shanghai Golden Aerosol Co., Ltd. product pages of an aerosol actuator from Alibaba.com website [online] [retrieved on Jan. 25, 2011], 2 pages. Retrieved from <URL: http://www.alibaba.com/product-gs/339204056/aerosol_actuator.html>.

Shanghai Golden Aerosol Co., Ltd. product pages of an aerosol actuator from Alibaba.com website [online] [retrieved on Jan. 25, 2011], 2 pages. Retrieved from <URL: http://www.alibaba.com/product-gs/339200591/aerosol_actuator.html>.

Shanghai Golden Aerosol Co., Ltd. product pages of an aerosol actuator from Alibaba.com website [online] [retrieved on Jan. 25, 2011], 2 pages. Retrieved from <URL: http://www.alibaba.com/product-gs/339207942/aerosol_actuator.html>.

Shanghai Quntong Spray Packaging Material Co., Ltd. product page of an L-001 Bright Aerosol Actuator/Spray Actuator/Sprayer from Alibaba.com website [online] [retrieved on Jan. 21, 2011], 1 page. Retrieved from <URL: http://www.alibaba.com/product-gs/211707400/L_001_Bright_Aerosol_Actuator_Spray.html>.

Shanghai Quntong Spray Packaging Material Co., Ltd. product page of an L-001 Aerosol Actuator/Spray Actuator/sprayer Actuator from Alibaba.com website [online] [retrieved on Jan. 21, 2011], 1 page. Retrieved from <URL: http://www.alibaba.com/product-gs/211707064/L_001_Aerosol_Actuator_Spray_Actuator.html>.

Shanghai Quntong Spray Packaging Material Co., Ltd. product page of an L-013 Aerosol Actuator/ Spray Actuator/Spray Head from Alibaba.com website [online] [retrieved on Jan. 25, 2011], 1 page. Retrieved from <URL: http://www.alibaba.com/product-gs/271403887/L_013_Aerosol_Actuator_Spray_Actuator.html>.

Shanghai Quntong Spray Packaging Material Co., Ltd. product page of an L-012 Aerosol Actuator/Spray Actuator from Alibaba.com website [online] [retrieved on Jan. 25, 2011], 1 page. Retrieved from <URL: http://www.alibaba.com/product-gs/211708589/L_012_Aerosol_Actuator_Spray_Actuator.html>.

Shanghai Quntong Spray Packaging Material Co., Ltd. product page of an L-006-B-H Aerosol Actuator/Spray Actuator/sprayer from Alibaba.com website [online] [retrieved on Jan. 25, 2011], 1 page. Retrieved from <URL: http://www.alibaba.com/product-gs/236878633/L_006_B_H_Aerosol_Actuator.html>.

Taian Character Polymer Co., Ltd. product page of an aerosol actuator from Alibaba.com website [online] [retrieved on Jan. 21, 2011], 1 page. Retrieved from <URL: http://www.alibaba.com/product-gs/265719171/aerosol_actuator.html>.

Taian Character Polymer Co., Ltd. product page of an Aerosol actuator from Alibaba.com website [online] [retrieved on Jan. 21, 2011], 1 page. Retrieved from <URL: http://www.alibaba.com/product-gs/284888523/Aerosol_actuator.html>.

Yanshan Golden Star Manufacture of Aerosol Valve Co., Ltd. product page of a Valve and actuator from Alibaba.com website [online] [retrieved on Jan. 21, 2011], 1 page. Retrieved from <URL: http://www.alibaba.com/product-gs/265519890/Valve_and_actuator.html>.

* cited by examiner

Primary Examiner — Susan Bennett Hattan

(57)

CLAIM

The ornamental design for an actuator nozzle for a diffusion device, as shown and described.

DESCRIPTION

FIG. 1 is an isometric view of a front, top, and left side of an ornamental design for an actuator nozzle for a diffusion device;

FIG. 2 is a right side elevational view of the actuator nozzle of FIG. 1;

FIG. 3 is a left side elevational view of the actuator nozzle of FIG. 1;

FIG. 4 is a top plan view of the actuator nozzle of FIG. 1;

FIG. 5 is a bottom plan view of the actuator nozzle of FIG. 1;

FIG. 6 is a front elevational view of the actuator nozzle of FIG. 1;

FIG. 7 is a rear elevational view of the actuator nozzle of FIG. 1;

FIG. 8 is an isometric view of a front, top, and left side of another embodiment of the actuator nozzle for a diffusion device of FIG. 1;

FIG. 9 is a right side elevational view of the actuator nozzle of FIG. 8, wherein the left side elevational view is a mirror image of the right side elevational view;

FIG. 10 is a front elevational view of the actuator nozzle of FIG. 8;

FIG. 11 is an isometric view of a front, top, and left side of another ornamental design of an actuator nozzle for a diffusion device;

FIG. 12 is a right side elevational view of the actuator nozzle of FIG. 11;

FIG. 13 is a left side elevational view of the actuator nozzle of FIG. 11;

FIG. 14 is a top plan view of the actuator nozzle of FIG. 11;

FIG. 15 is a bottom plan view of the actuator nozzle of FIG. 11;

FIG. 16 is a front elevational view of the actuator nozzle of FIG. 11;

FIG. 17 is a rear elevational view of the actuator nozzle of FIG. 11;

FIG. 18 is an isometric view of a front, top, and left side of a different embodiment of the actuator nozzle for a diffusion device of FIG. 11;

FIG. 19 is a right side elevational view of the actuator nozzle of FIG. 18;

FIG. 20 is a left side elevational view of the actuator nozzle of FIG. 18;

FIG. 21 is a top plan view of the actuator nozzle of FIG. 18;

FIG. 22 is a bottom plan view of the actuator nozzle of FIG. 18;

FIG. 23 is a front elevational view of the actuator nozzle of FIG. 18; and,

FIG. 24 is a rear elevational view of the actuator nozzle of FIG. 18.

The broken line showing of the subject matter shown above is for the purpose of depicting environmental structure only and forms no part of the claimed design.

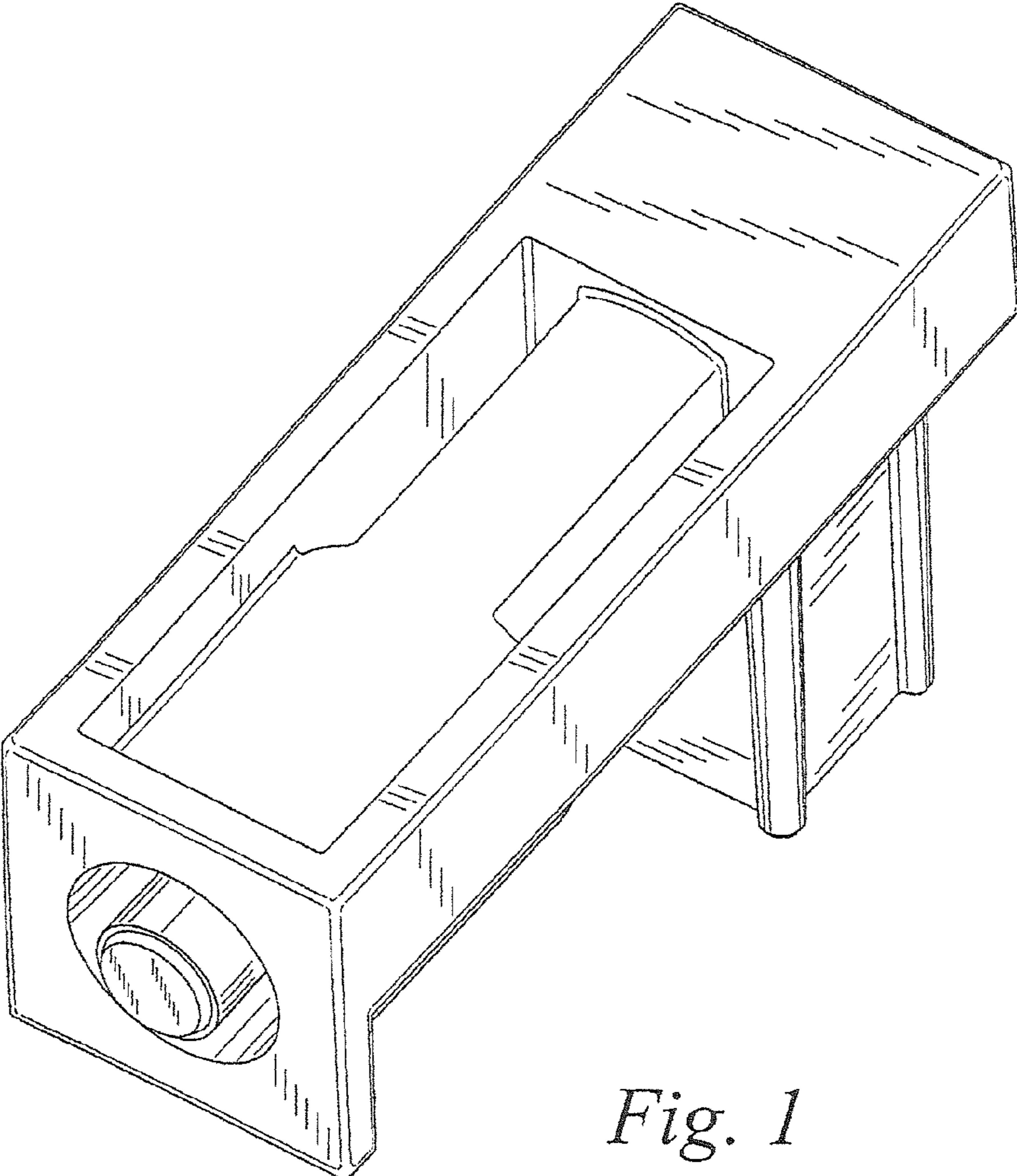


Fig. 1

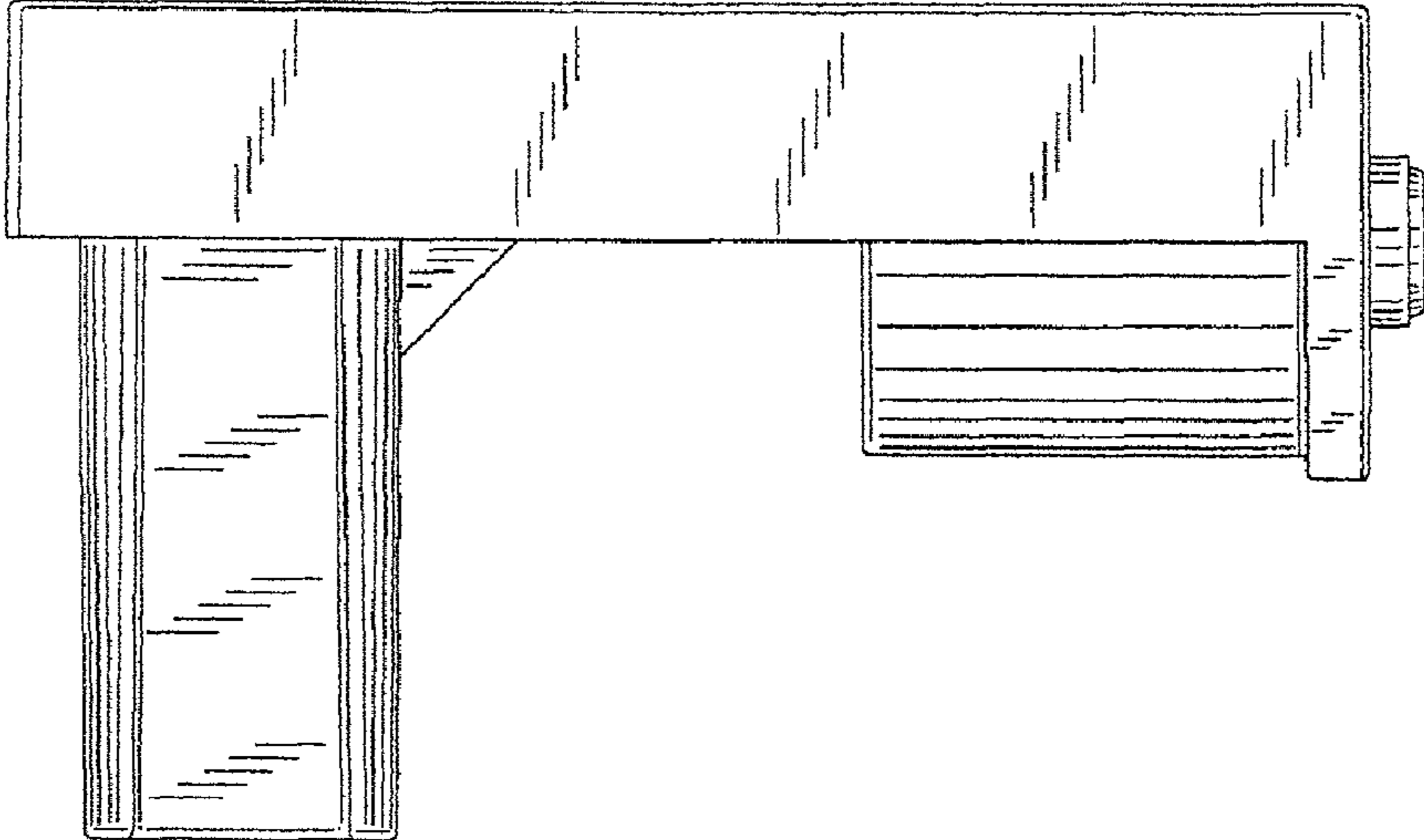


Fig. 2

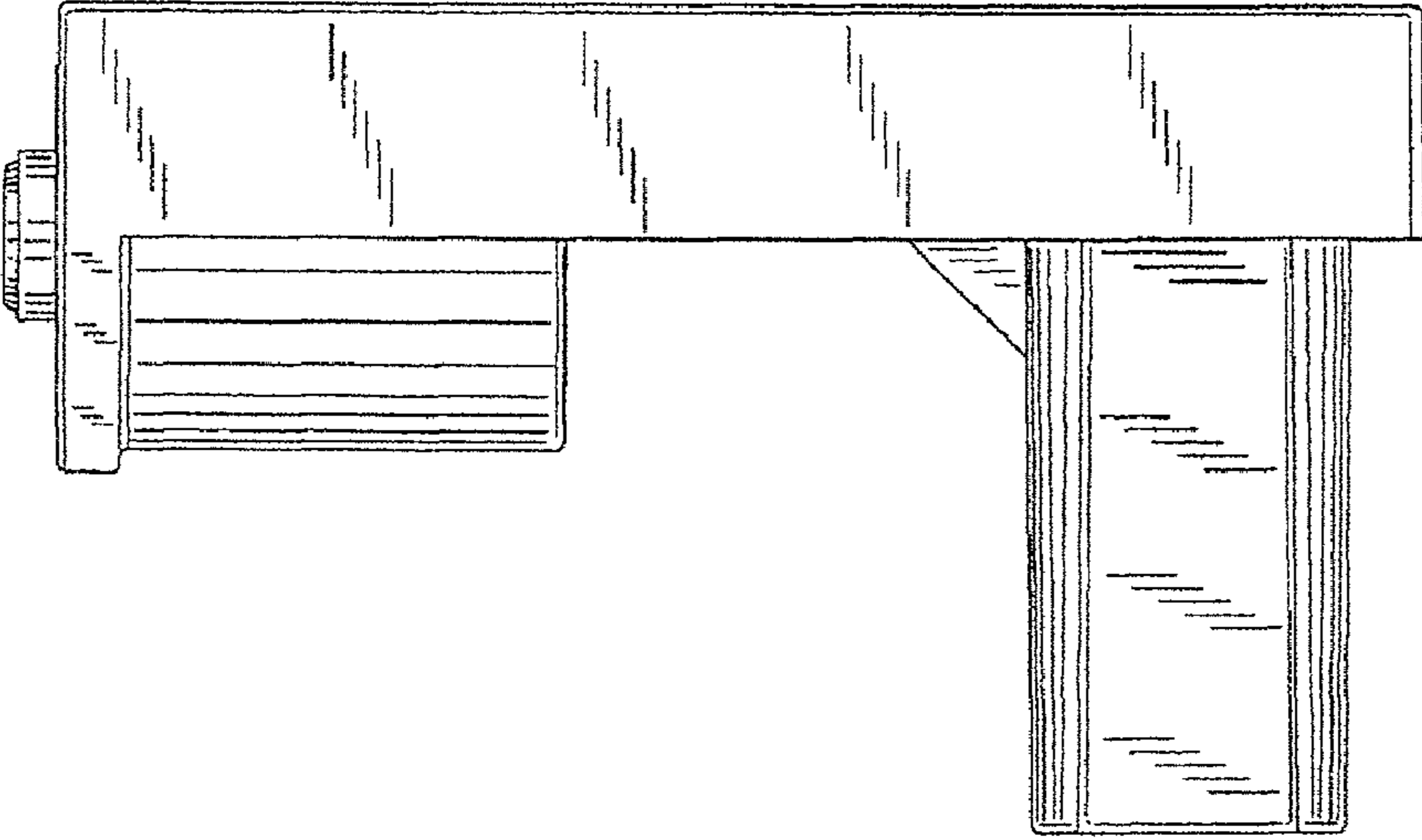


Fig. 3

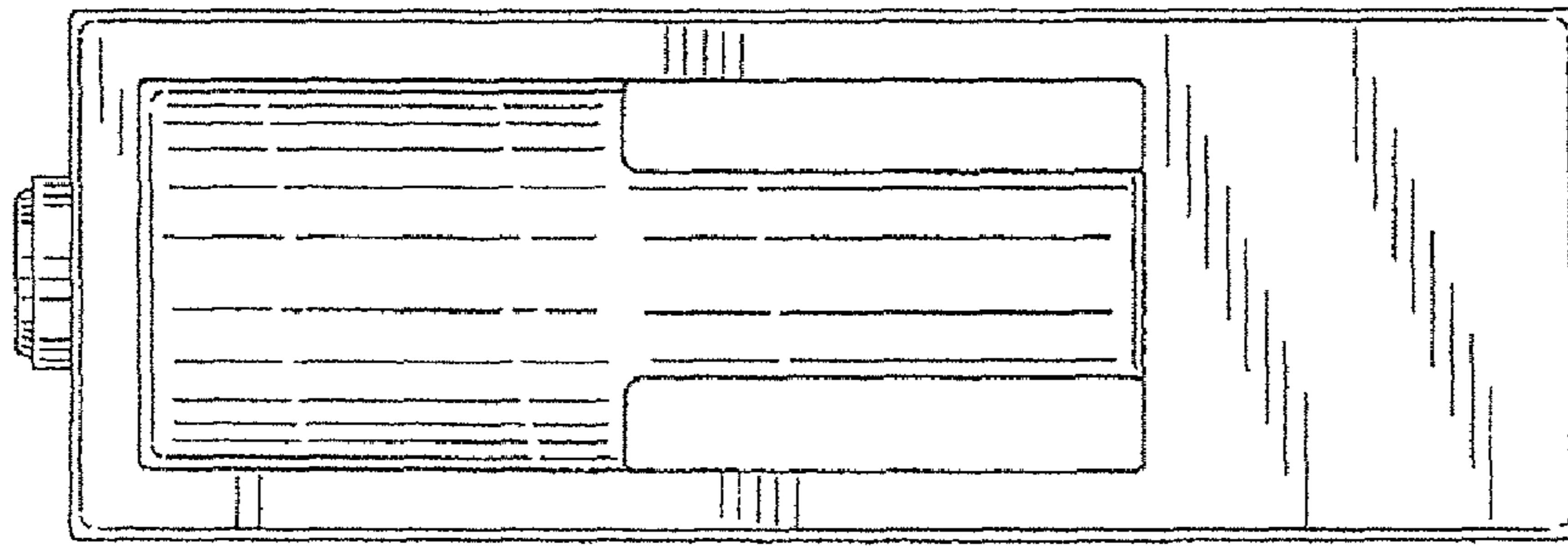


Fig. 4

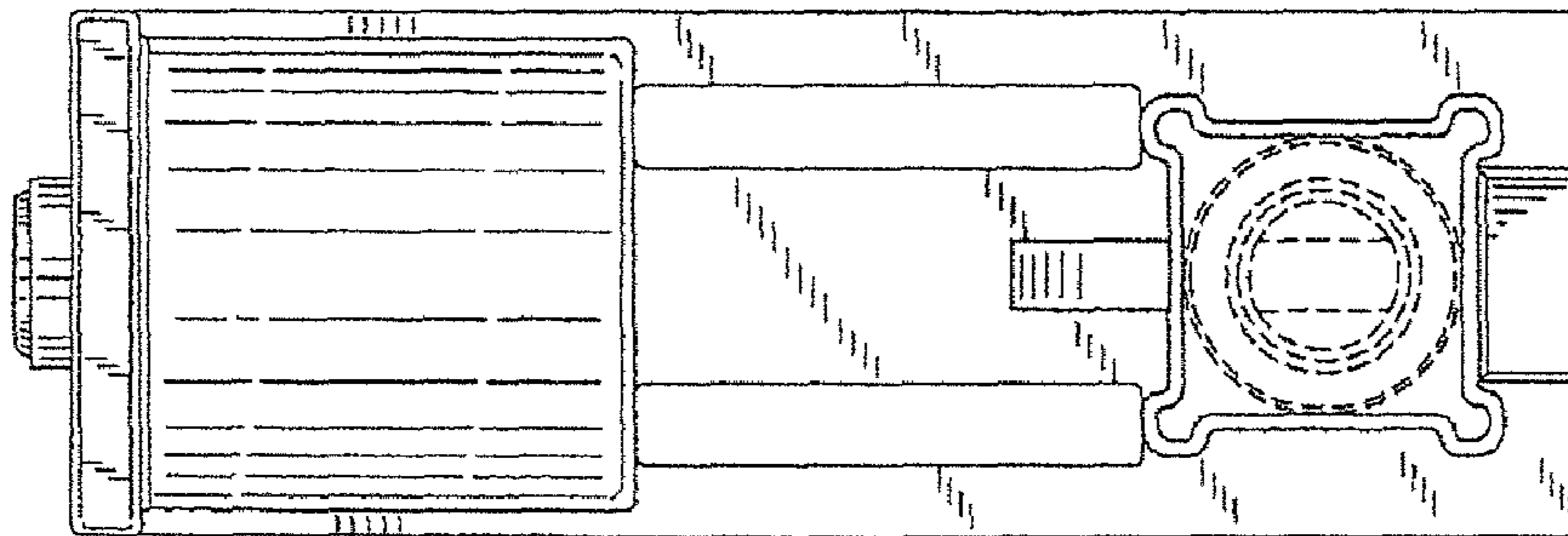


Fig. 5

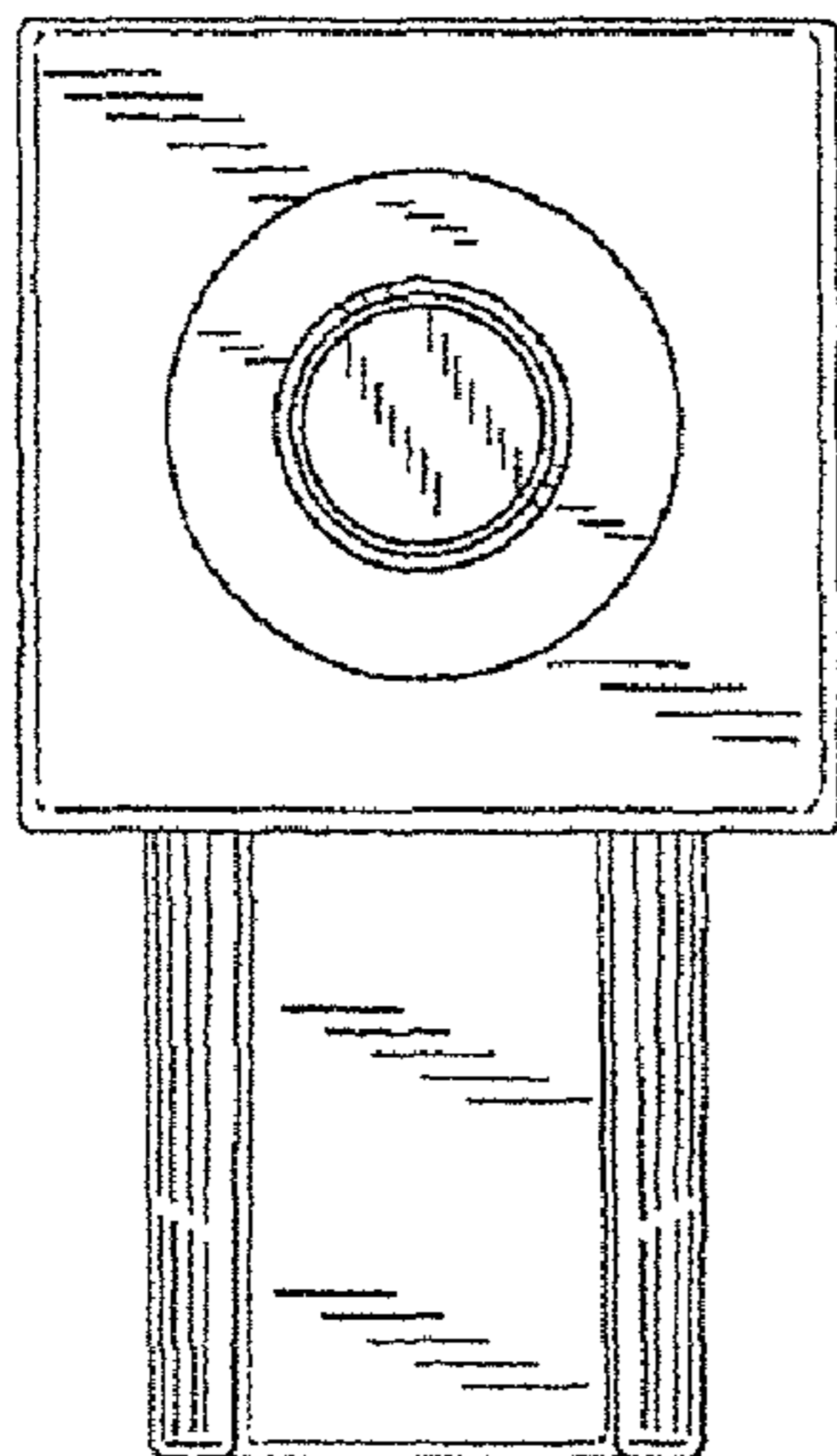


Fig. 6

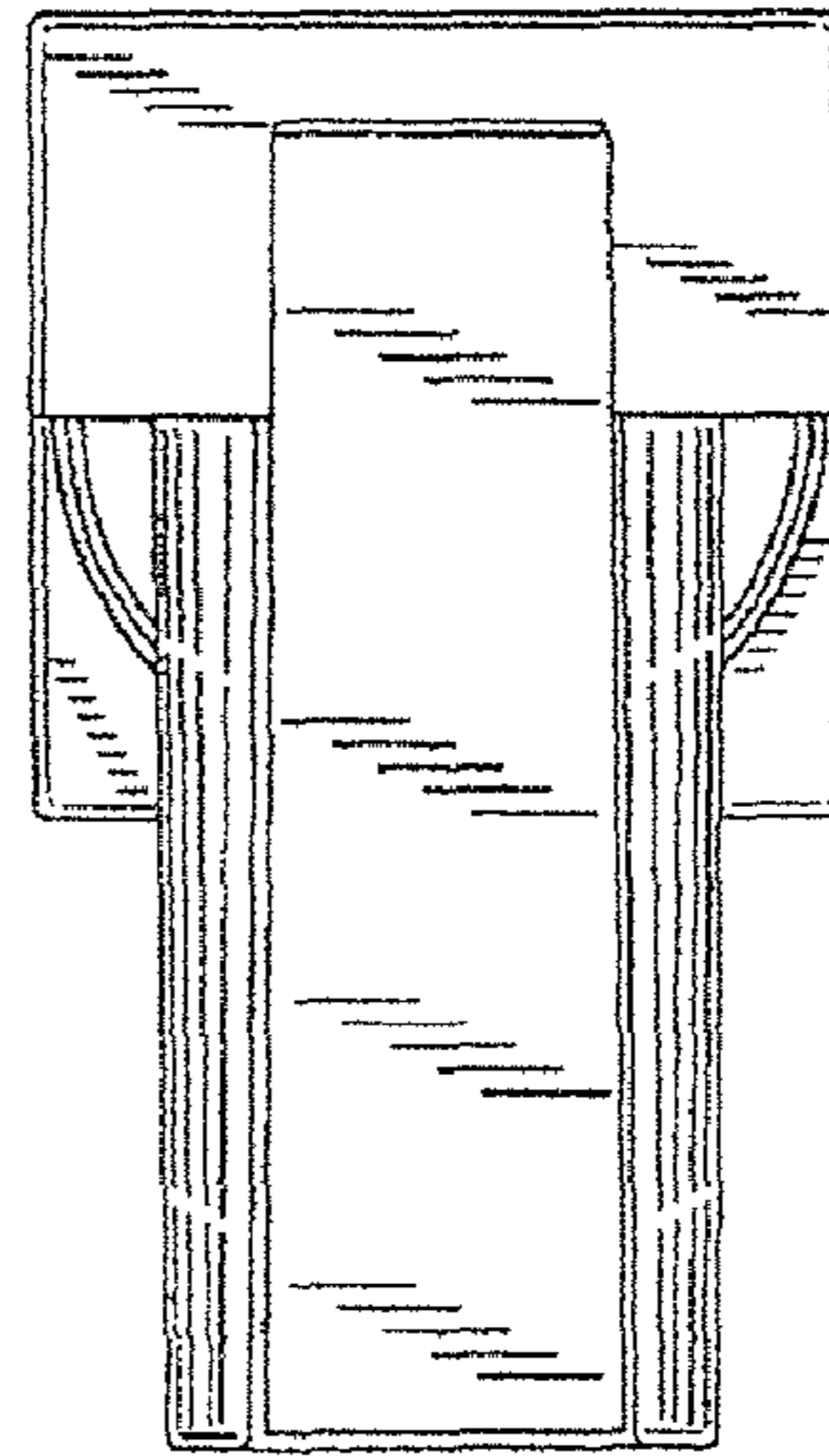


Fig. 7

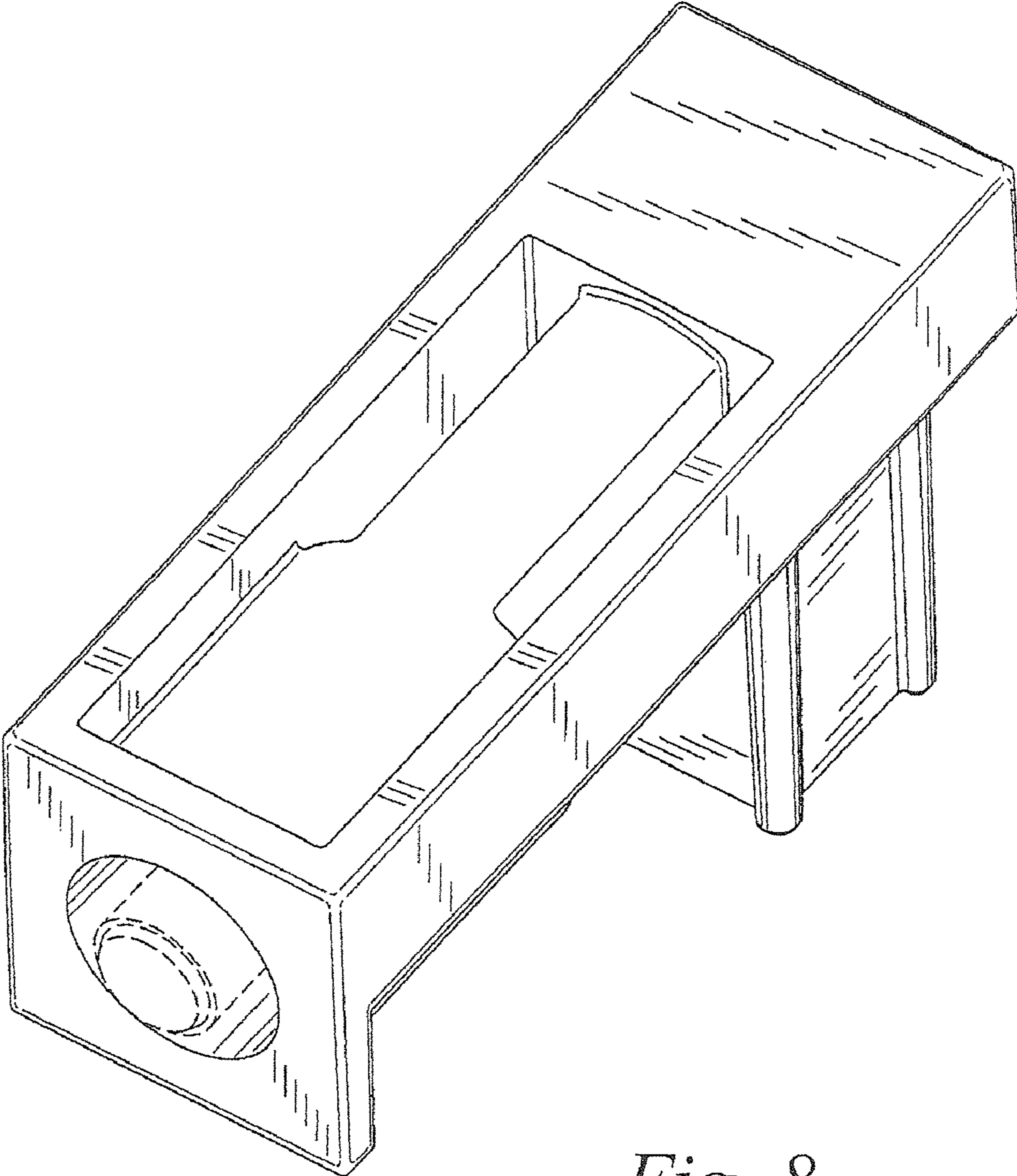


Fig. 8

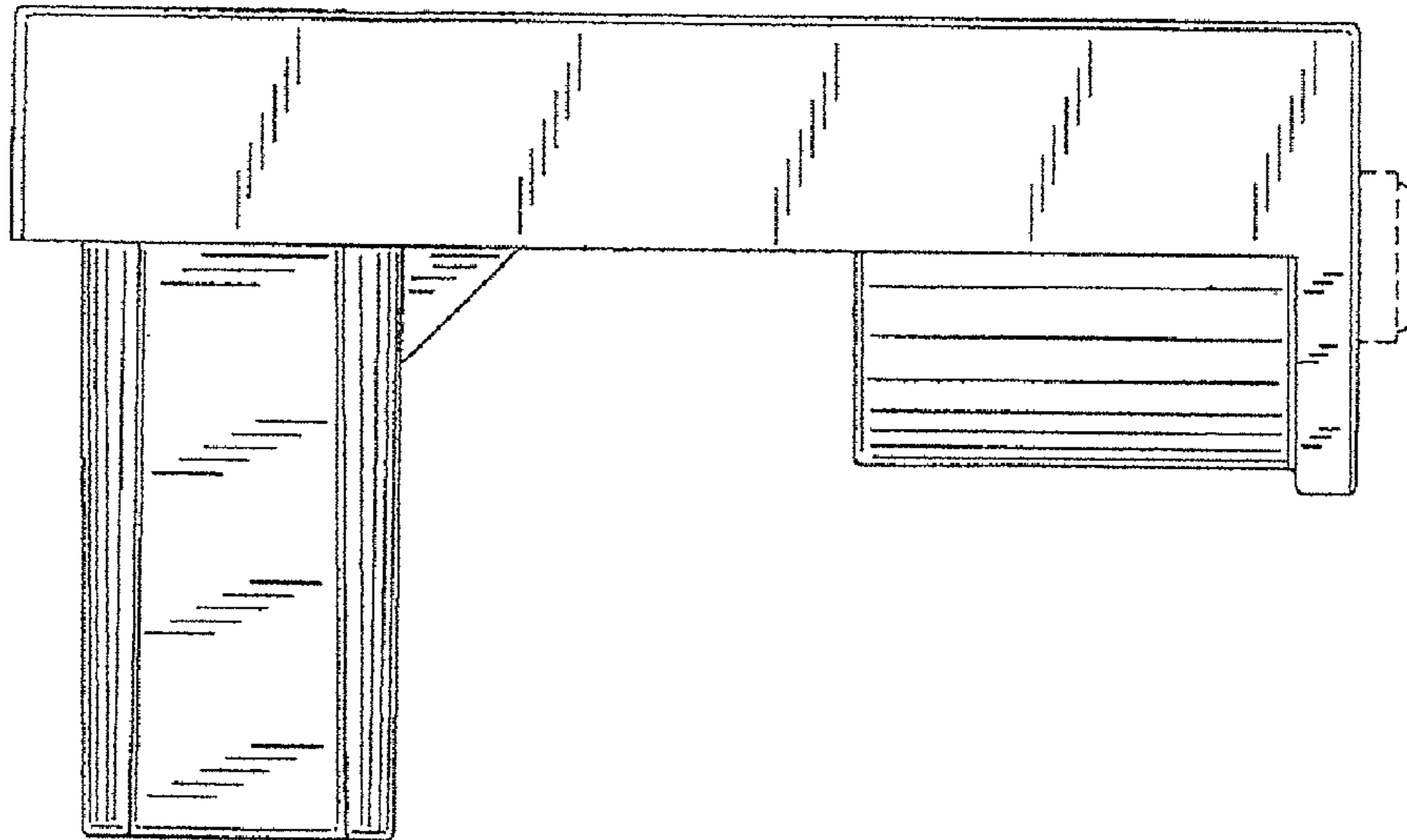


Fig. 9

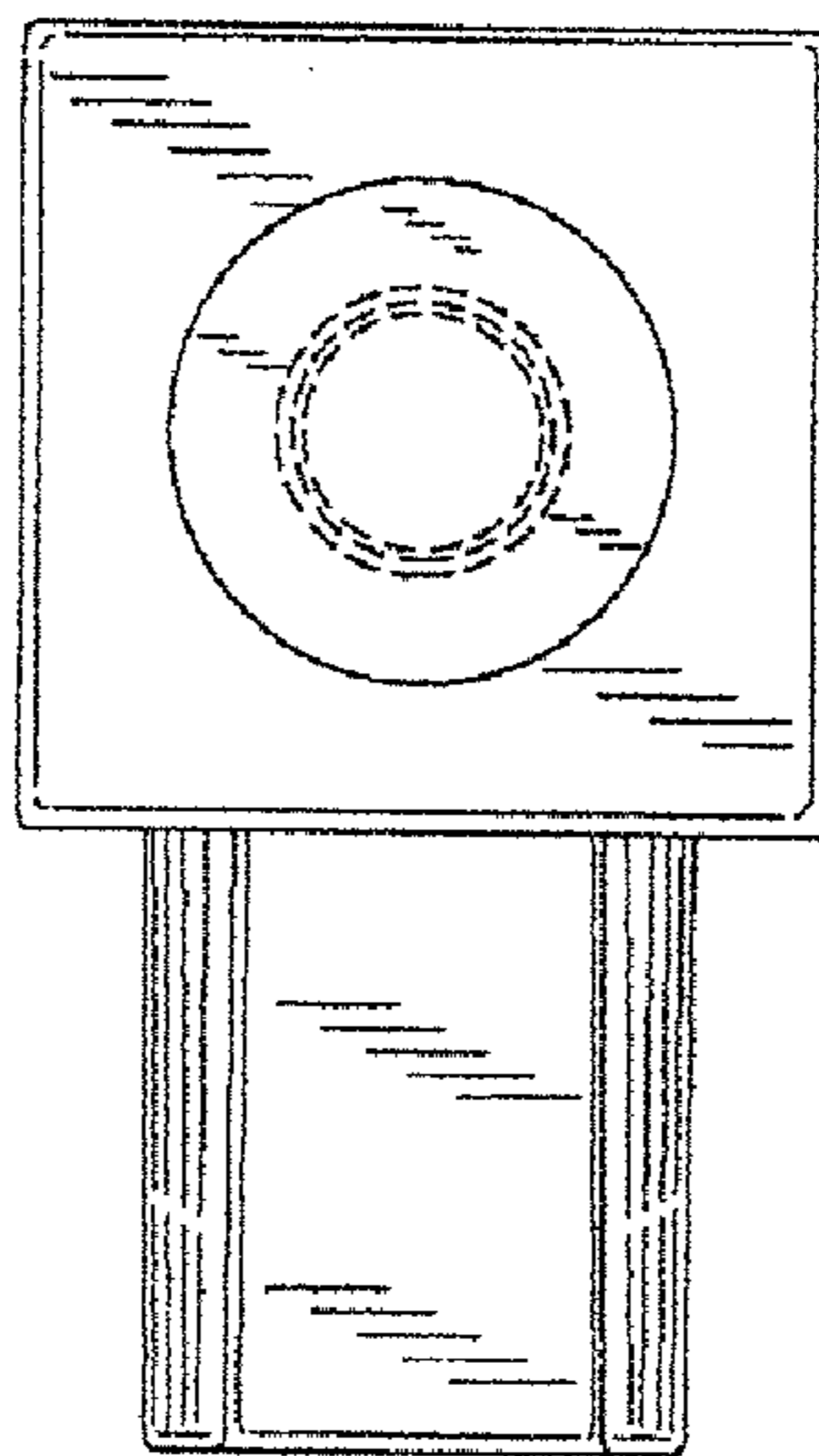


Fig. 10

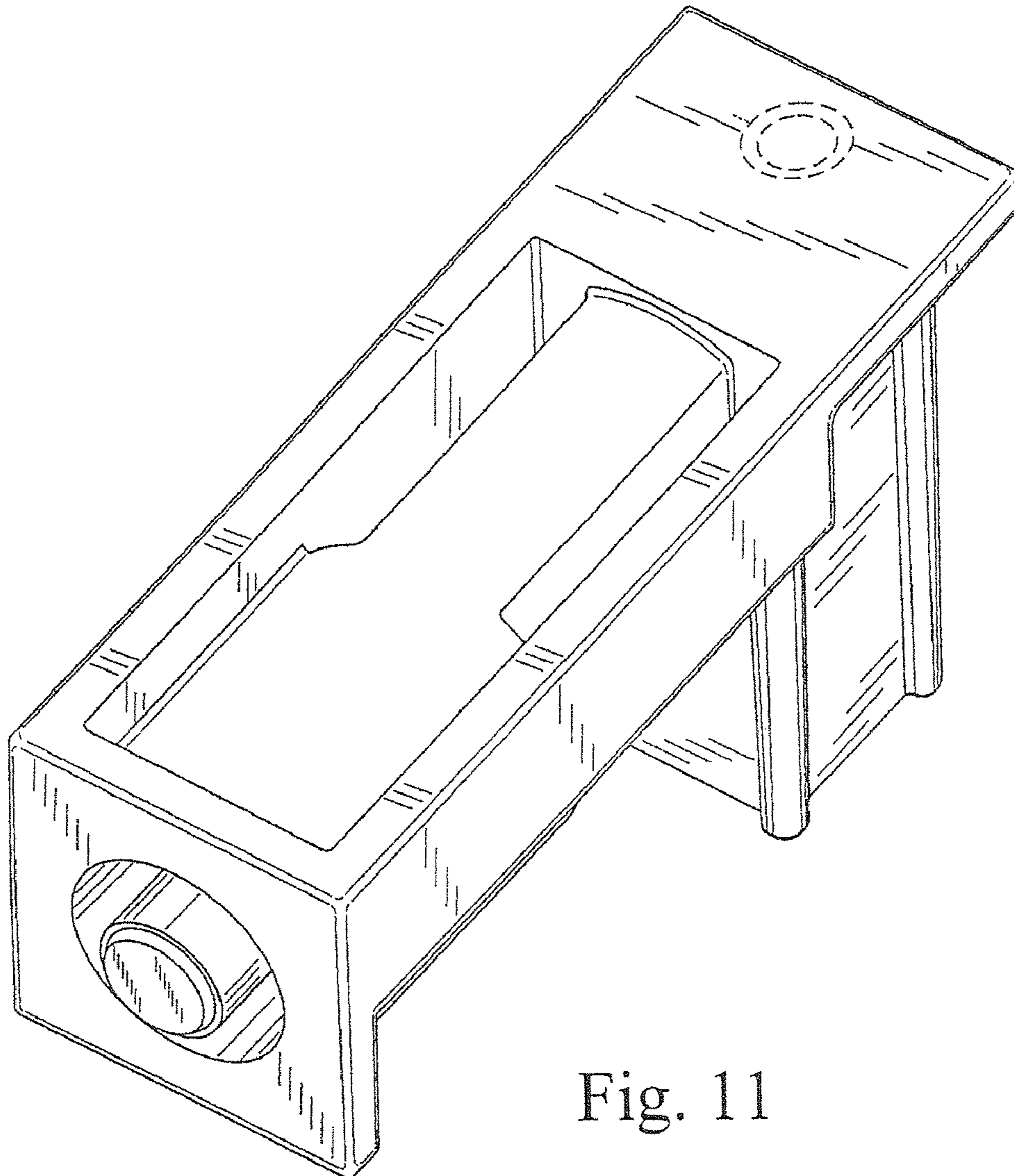


Fig. 11

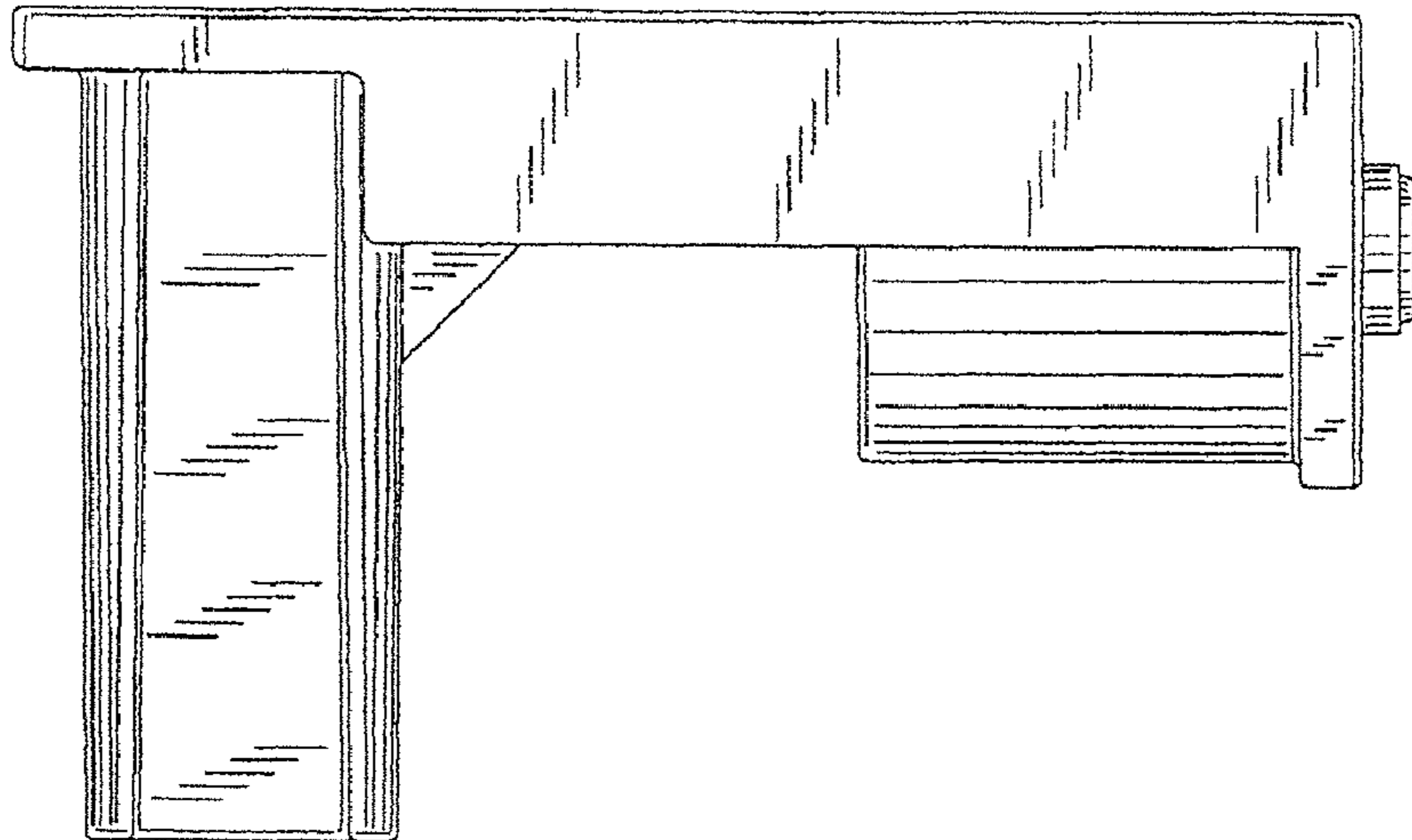


Fig. 12

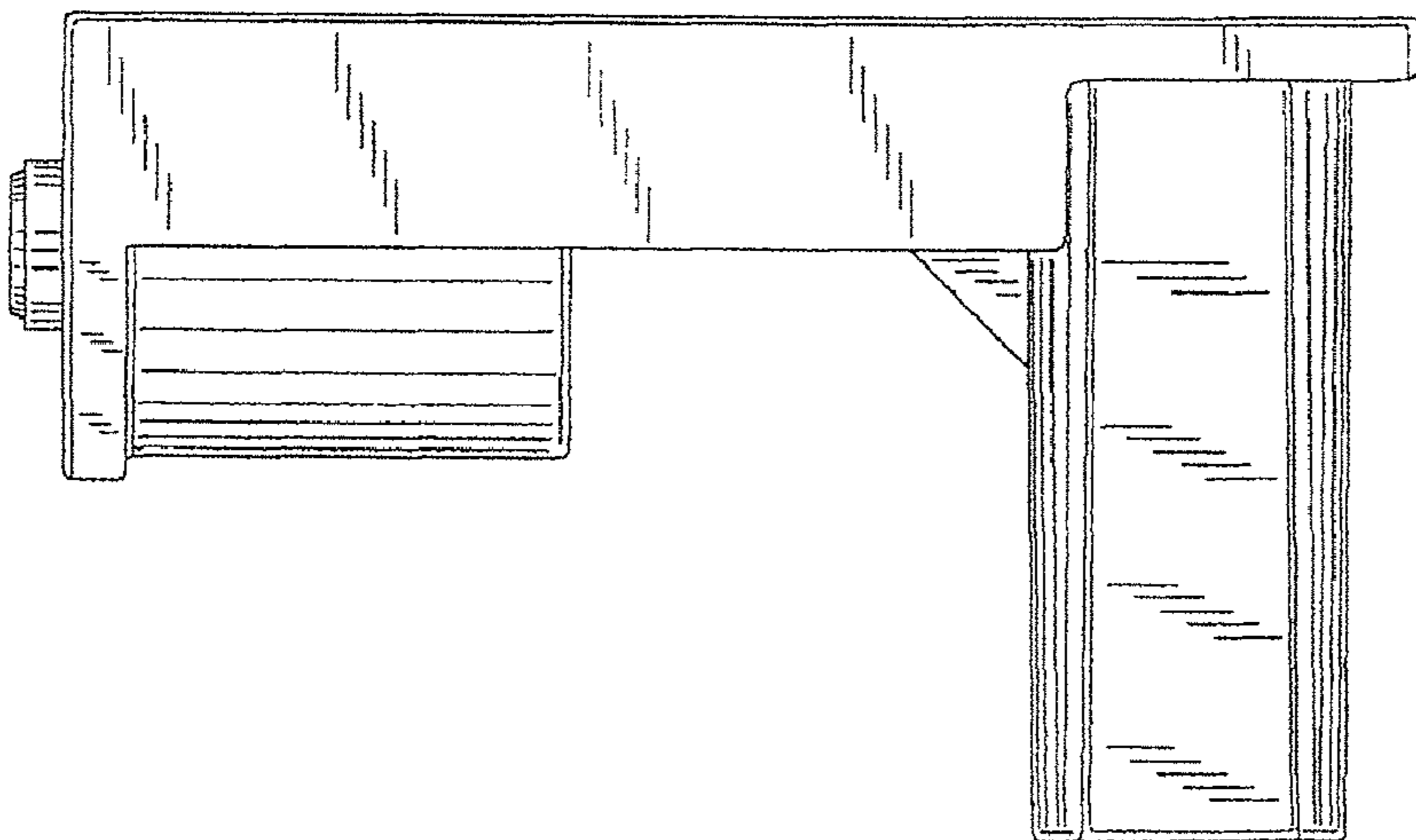


Fig. 13

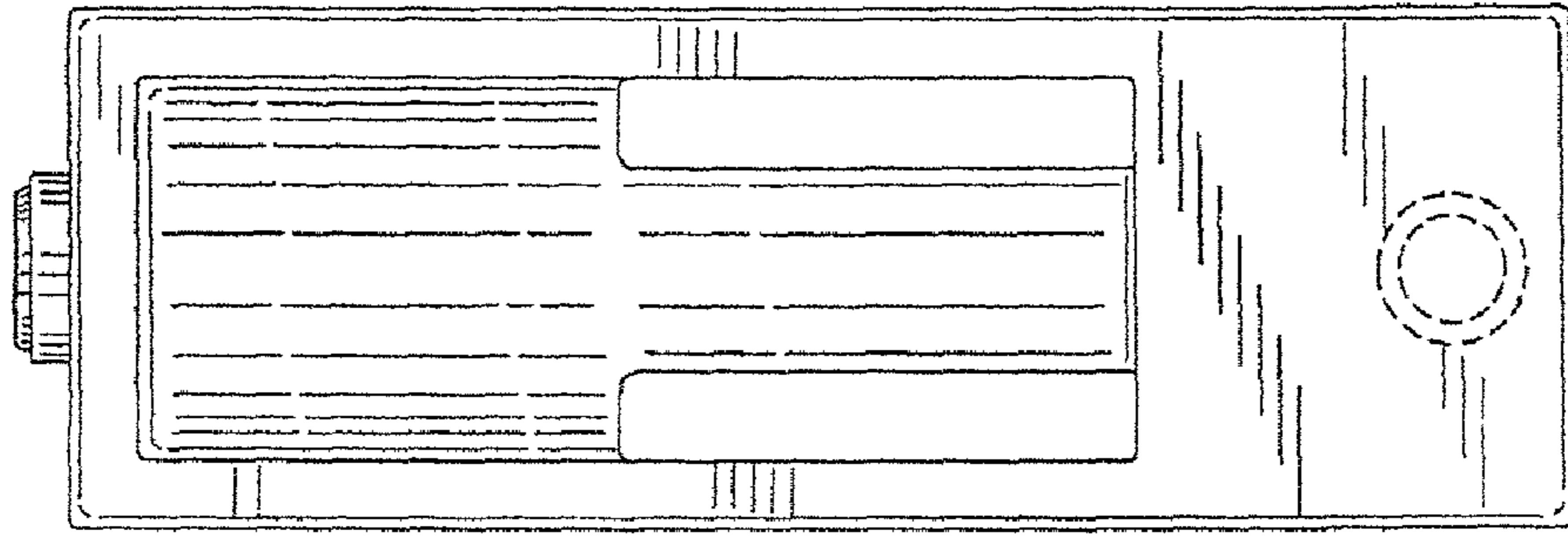


Fig. 14

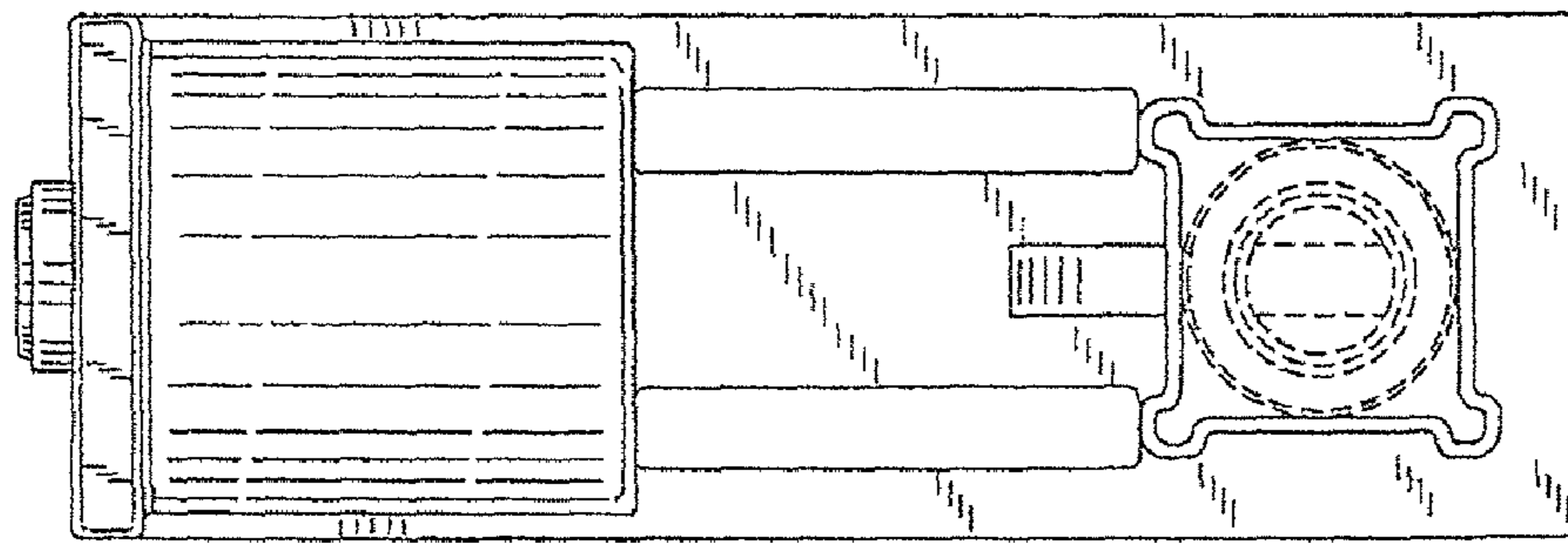


Fig. 15

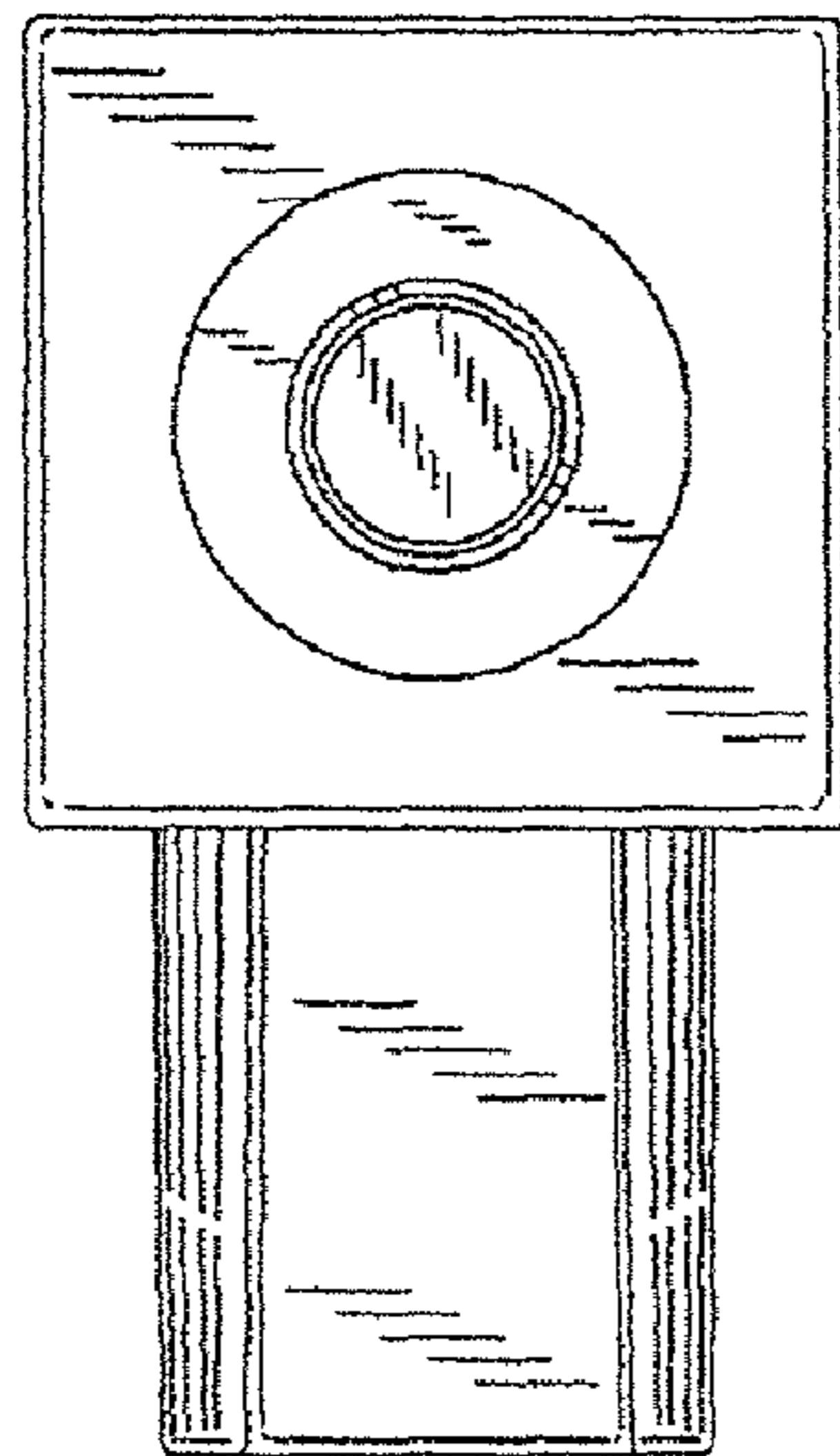


Fig. 16

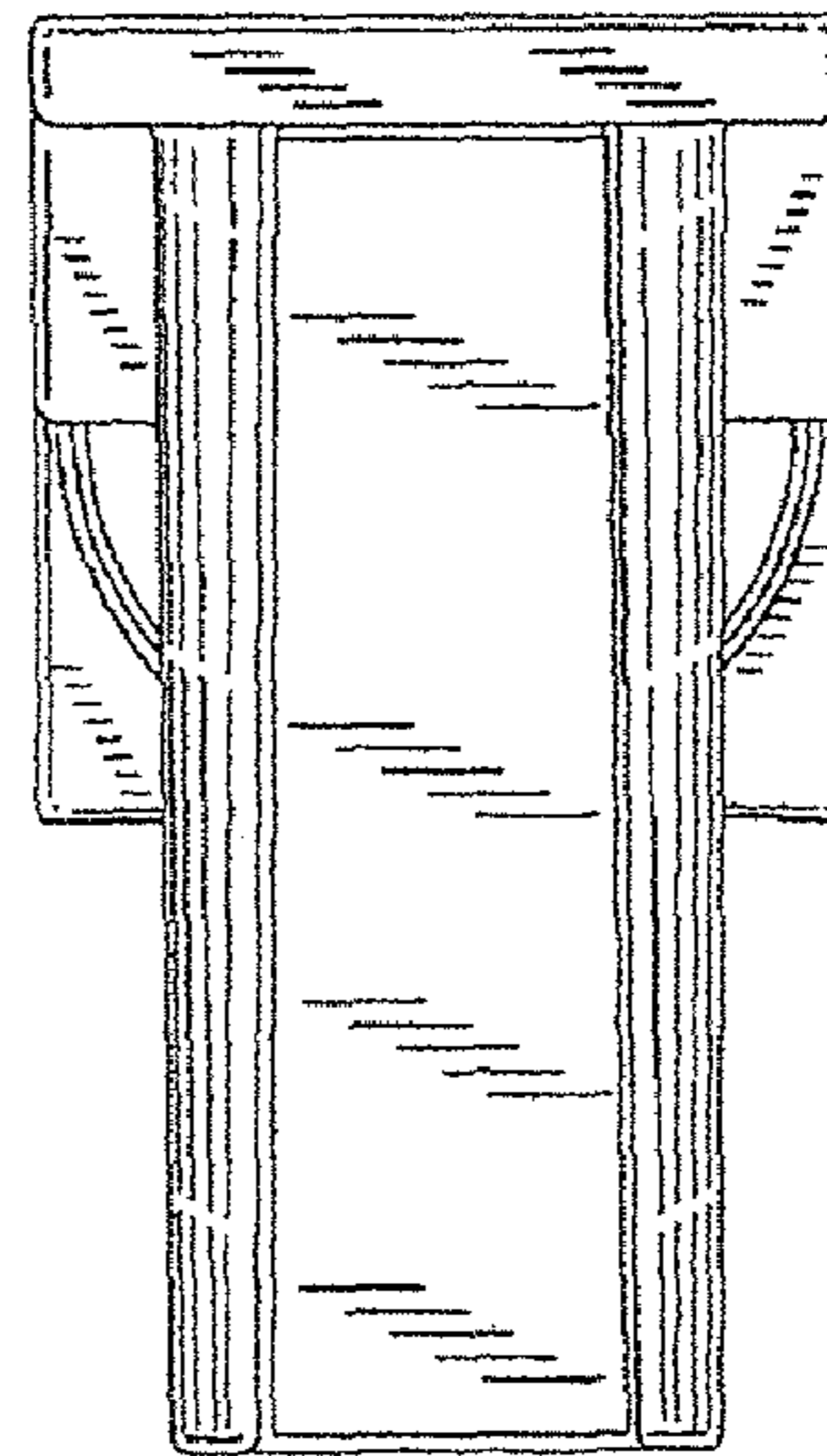


Fig. 17

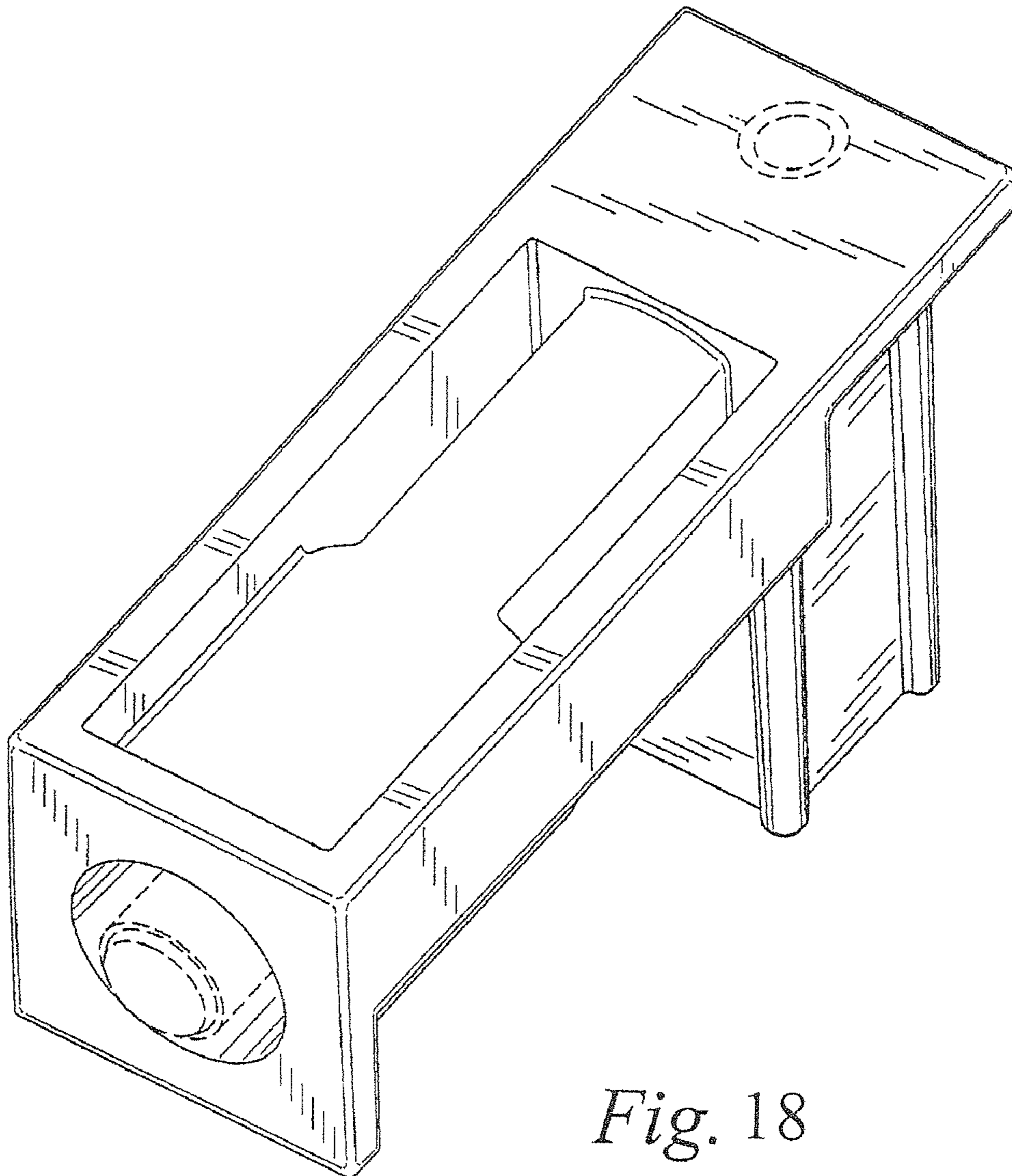


Fig. 18

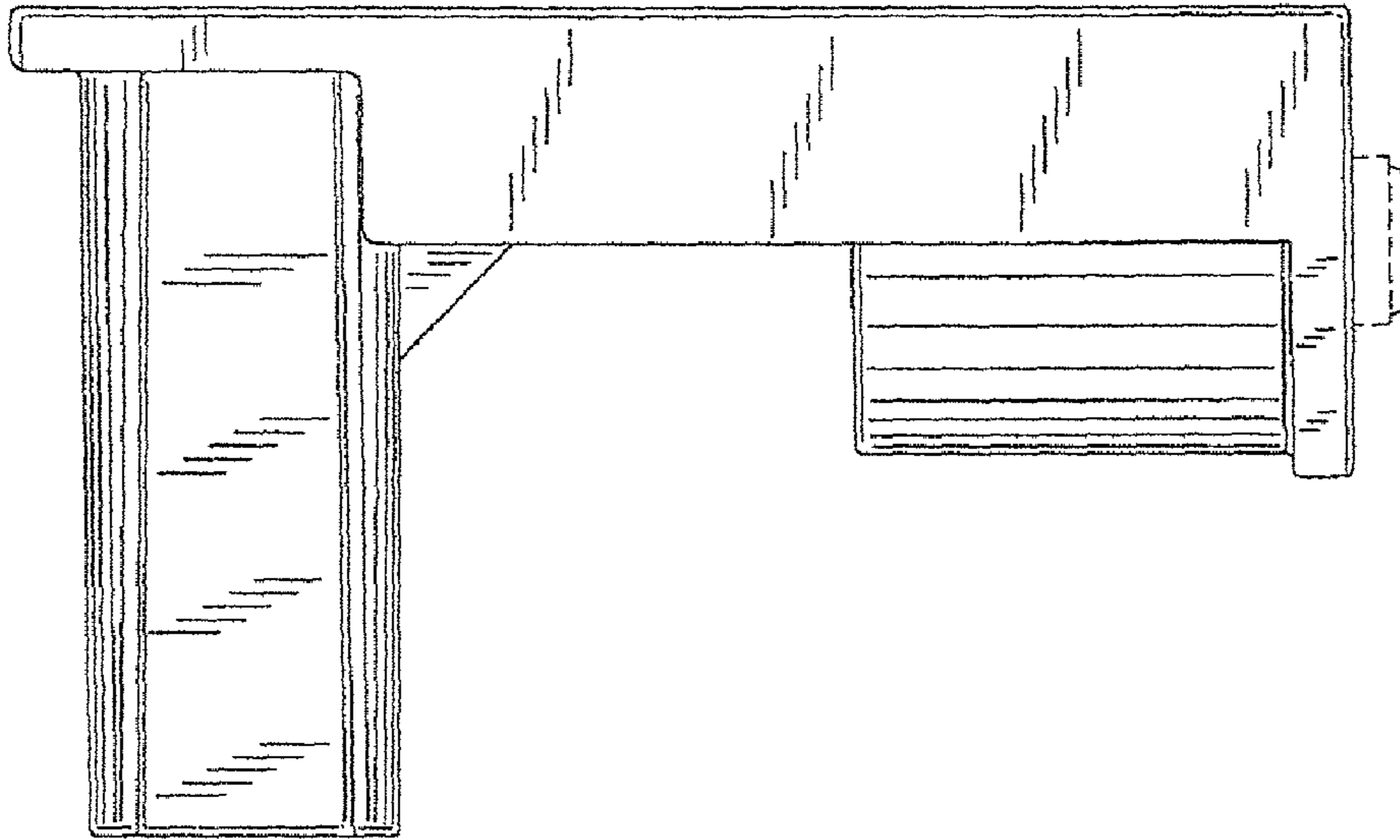


Fig. 19

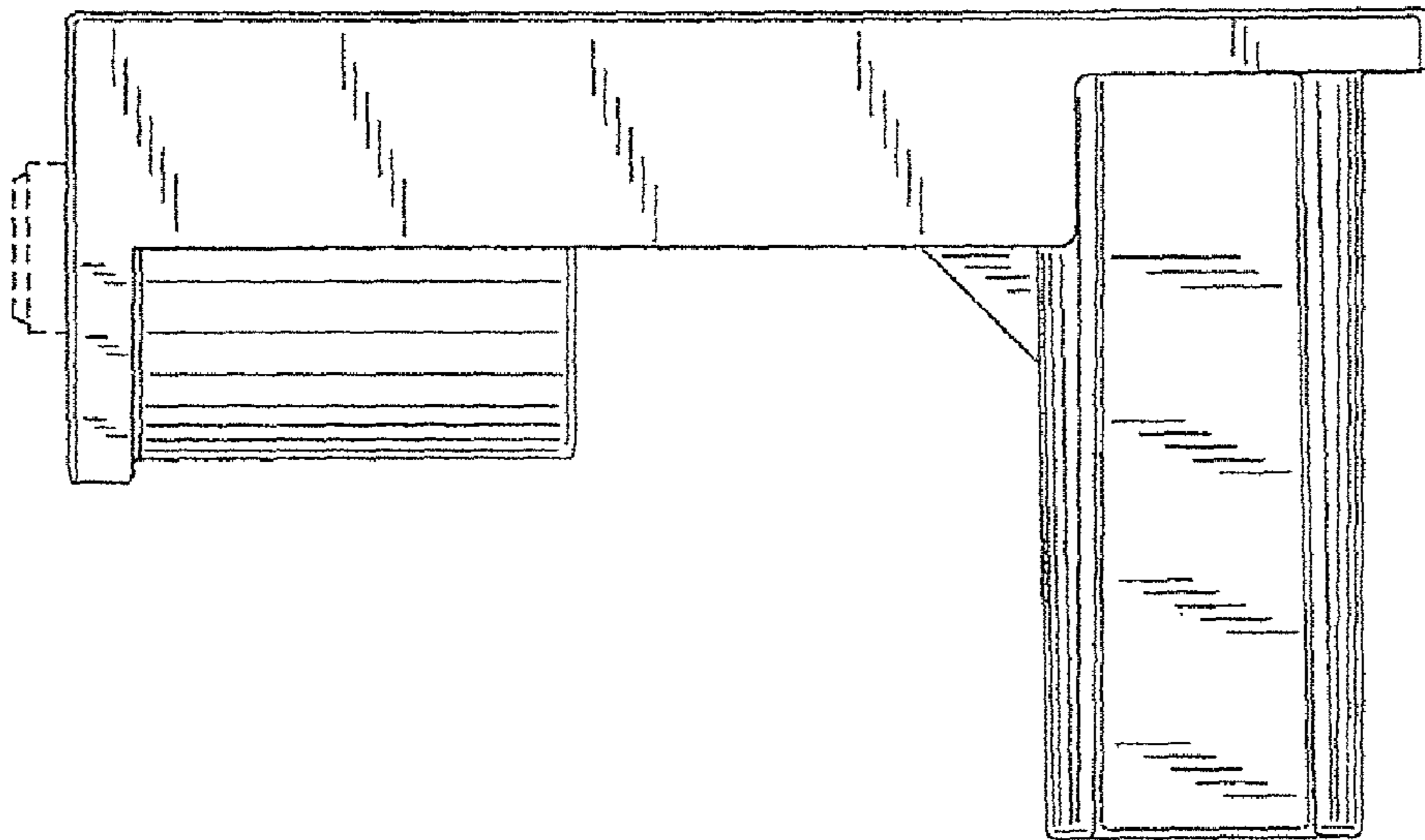


Fig. 20

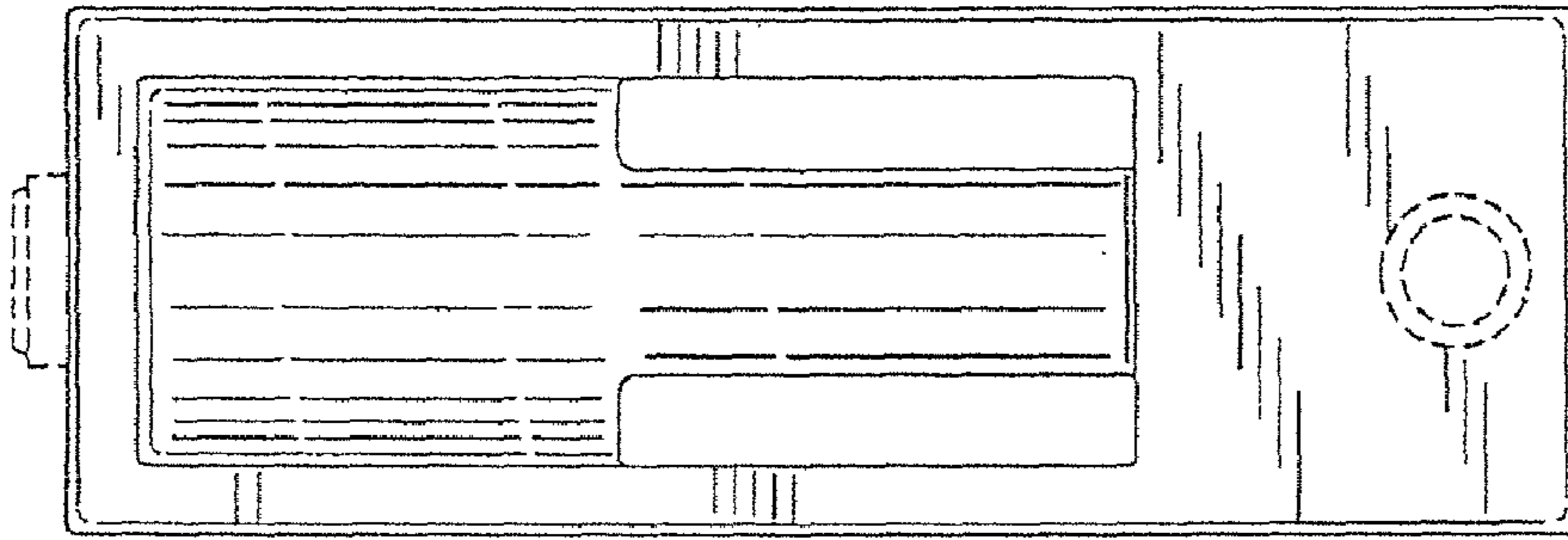


Fig. 21

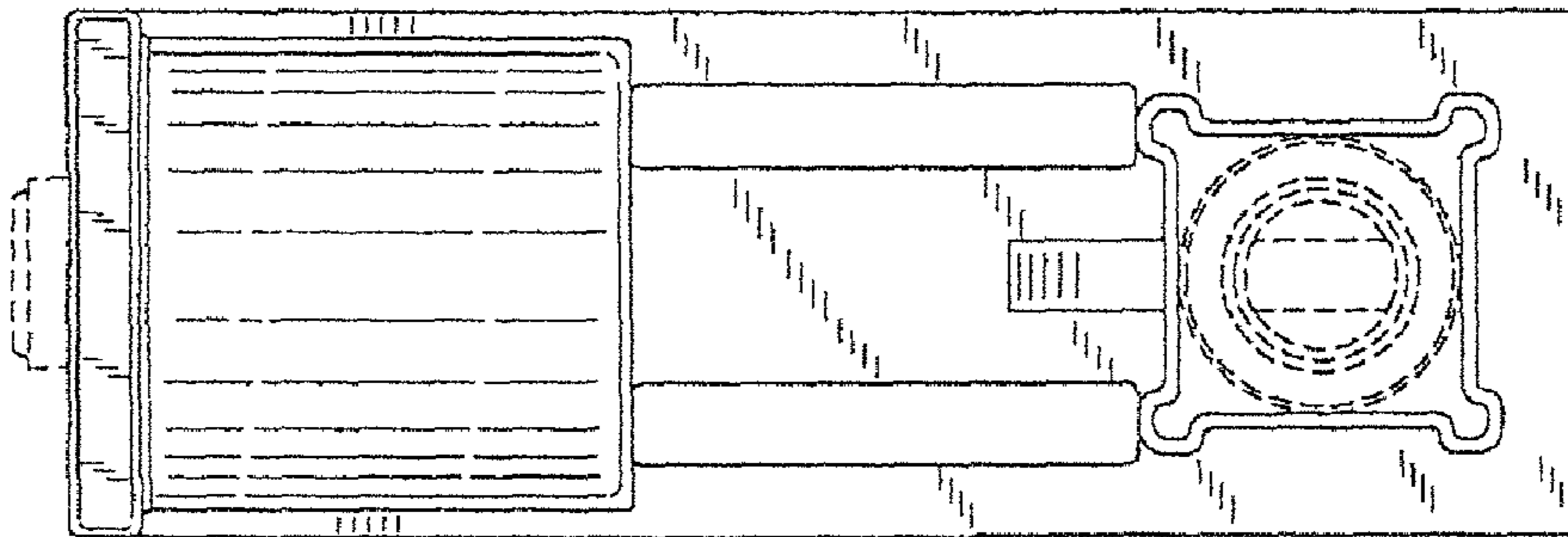


Fig. 22

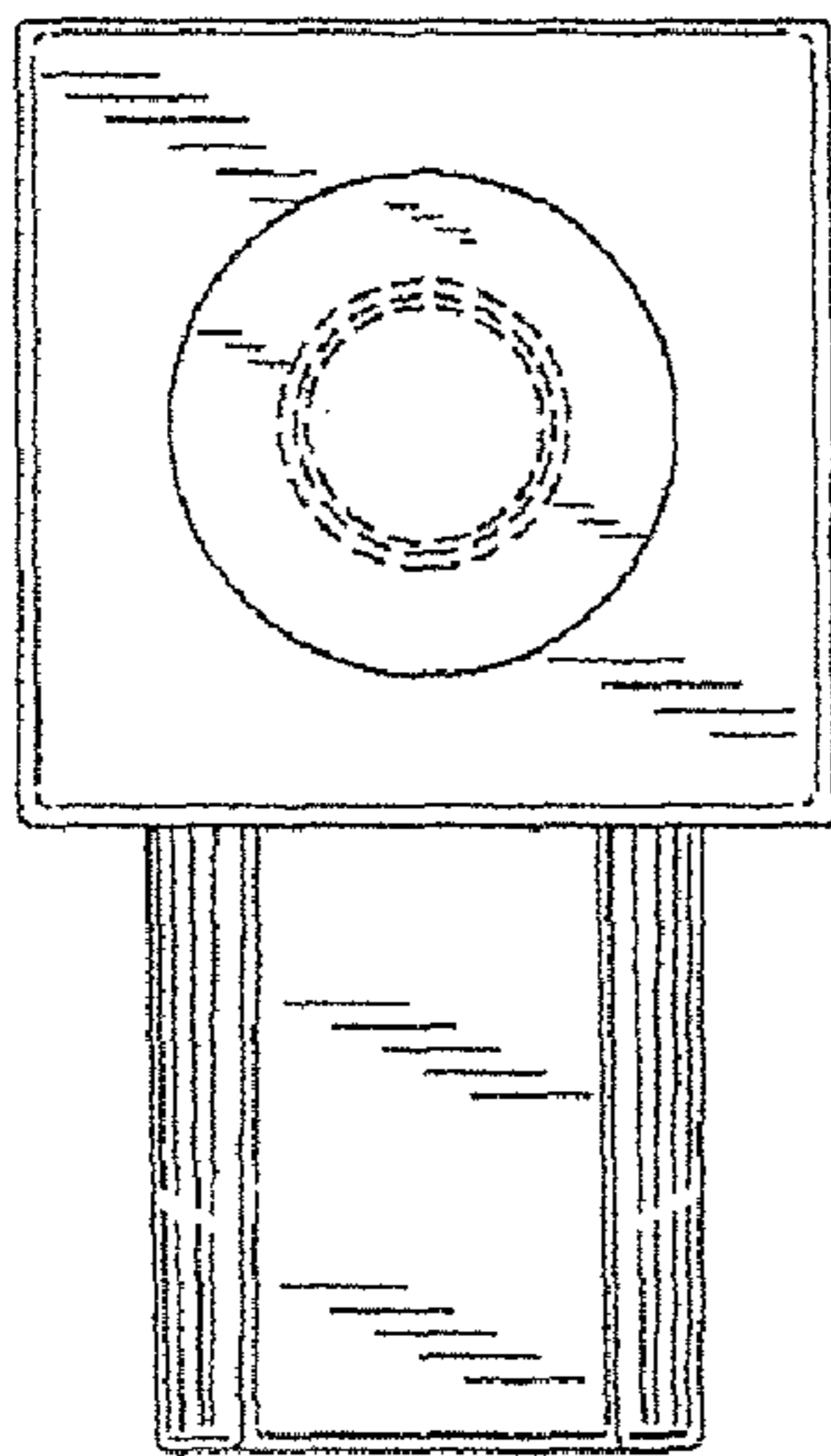


Fig. 23

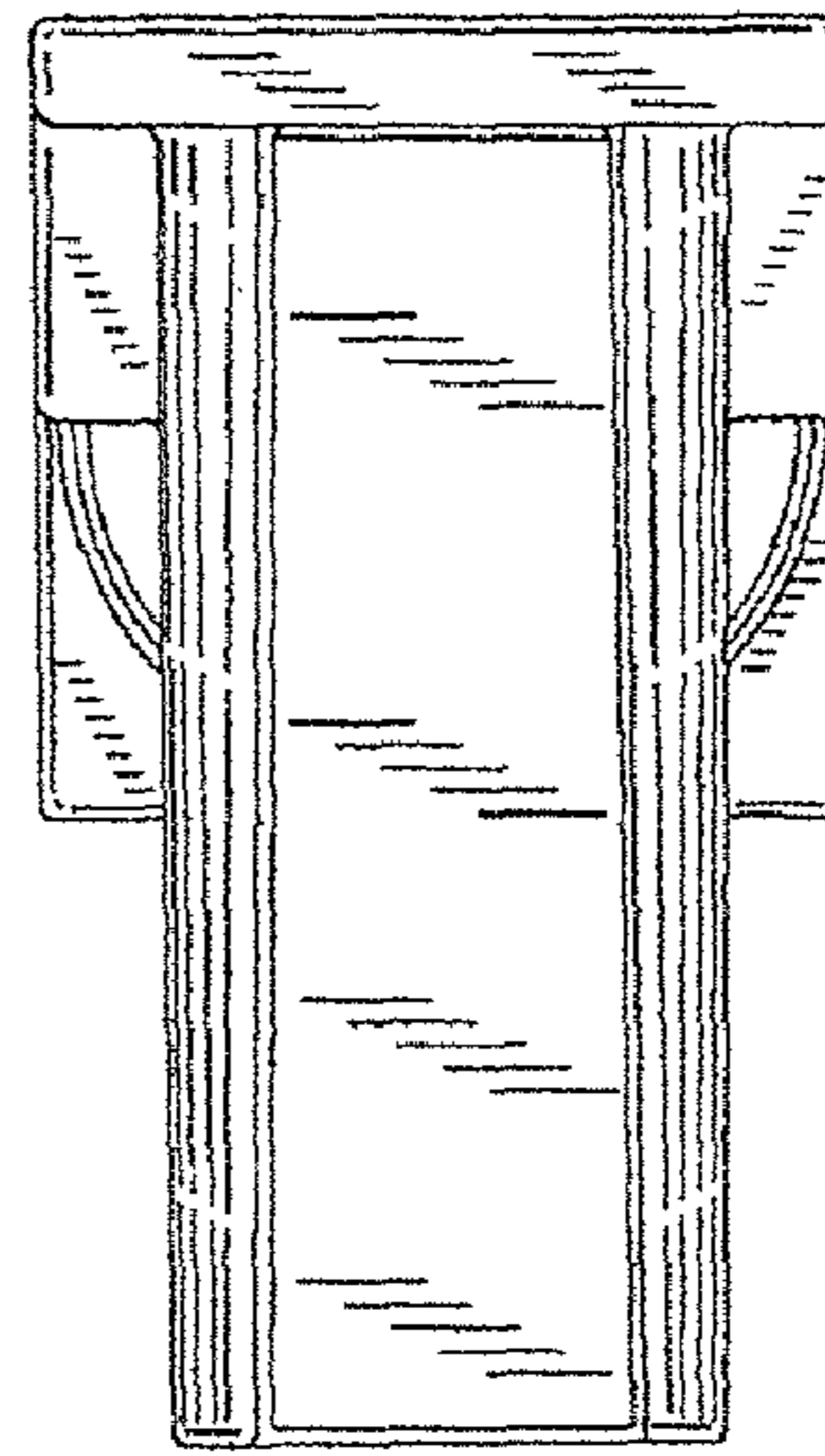


Fig. 24