



US00D648215S

(12) **United States Design Patent**  
**Rigling et al.**

(10) **Patent No.:** **US D648,215 S**  
(45) **Date of Patent:** **\*\* Nov. 8, 2011**

(54) **POURING SPOUT**

(75) Inventors: **Felix Rigling**, Frauenfeld (CH); **Jörg Helas**, Feuerthalen (CH)

(73) Assignee: **SIG Technology AG**, Neuhausen am Rheinfall (CH)

(\*\*) Term: **14 Years**

(21) Appl. No.: **29/389,206**

(22) Filed: **Apr. 7, 2011**

**Related U.S. Application Data**

(62) Division of application No. 29/350,754, filed on Nov. 23, 2009, now Pat. No. Des. 637,906.

(30) **Foreign Application Priority Data**

May 28, 2009 (DE) ..... 40 2009 002 605  
Jun. 15, 2009 (DE) ..... 40 2009 005 605

(51) **LOC (9) Cl.** ..... **09-06**

(52) **U.S. Cl.** ..... **D9/446; D9/453; D9/454; D9/451**

(58) **Field of Classification Search** ..... D9/651,  
D9/453, 452, 450, 449, 446, 443, 435; 222/83;  
220/277; 215/252, 216, 206, 222, 219  
See application file for complete search history.

(56) **References Cited**

**U.S. PATENT DOCUMENTS**

D174,205 S \* 3/1955 Ward ..... D9/446

D266,906 S \* 11/1982 Guerette ..... D9/453  
4,573,601 A \* 3/1986 Berglund ..... 215/252  
D291,868 S \* 9/1987 Hindle ..... D9/453  
D364,810 S \* 12/1995 Meisner ..... D9/446  
D542,655 S \* 5/2007 Szczesniak ..... D9/453  
D574,240 S \* 8/2008 Szczesniak ..... D9/453  
D615,864 S \* 5/2010 Fuchs ..... D9/453  
2008/0217286 A1 \* 9/2008 Roberts et al. .... 215/252

\* cited by examiner

*Primary Examiner* — Susan Bennett Hattan

(74) *Attorney, Agent, or Firm* — The Webb Law Firm

(57) **CLAIM**

The ornamental design for a pouring spout, as shown and described.

**DESCRIPTION**

FIG. 1 is a top view of a pouring spout, in accordance with the present design;

FIG. 2 is a left side view of the pouring spout shown in FIG. 1;

FIG. 3 is a front view of the pouring spout shown in FIG. 1;

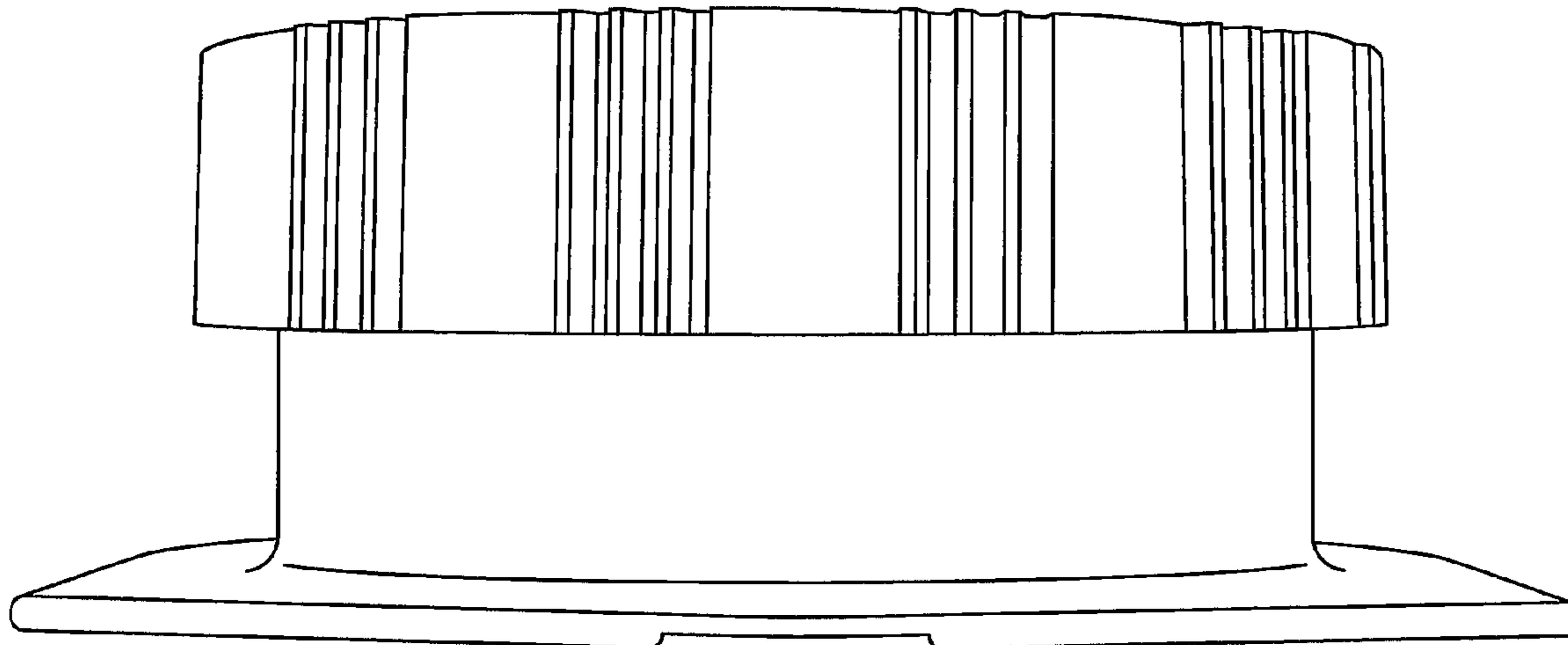
FIG. 4 is a perspective view of the pouring spout shown in FIG. 1;

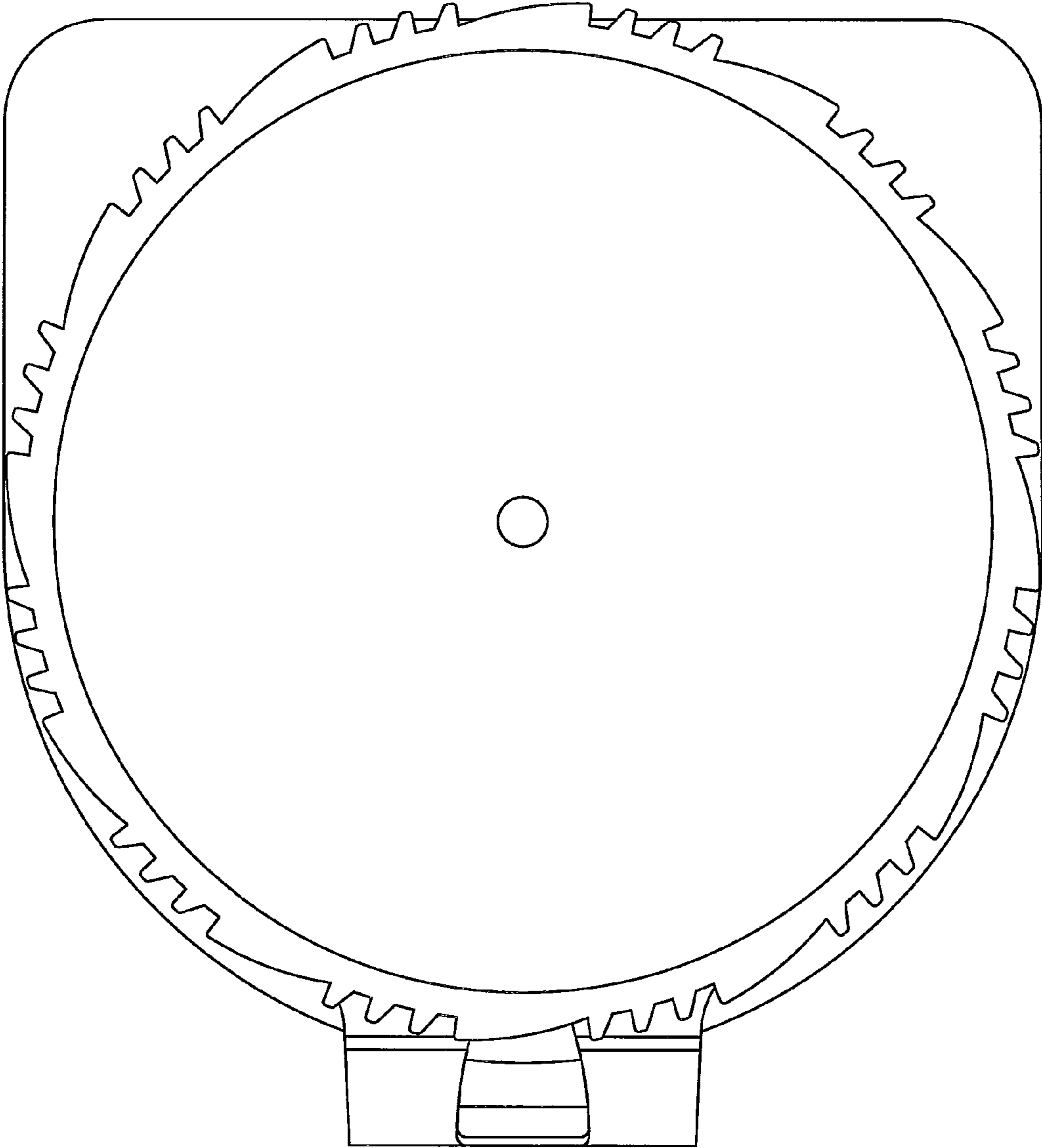
FIG. 5 is a rear view of the pouring spout shown in FIG. 1; and,

FIG. 6 is right side view of the pouring spout shown in FIG. 1.

The bottom or underside of the pouring spout, which is not depicted in the figures, forms no part of the claimed design.

**1 Claim, 6 Drawing Sheets**





**FIG. 1**

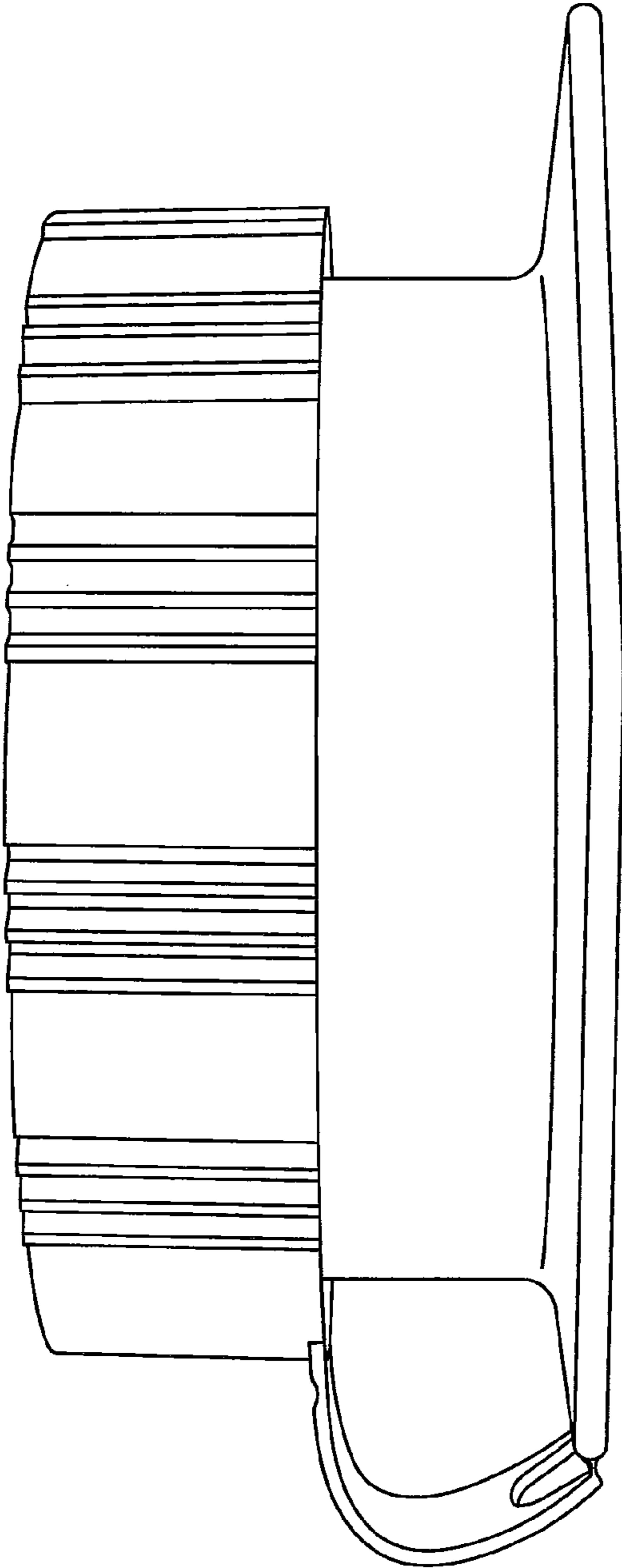


FIG. 2

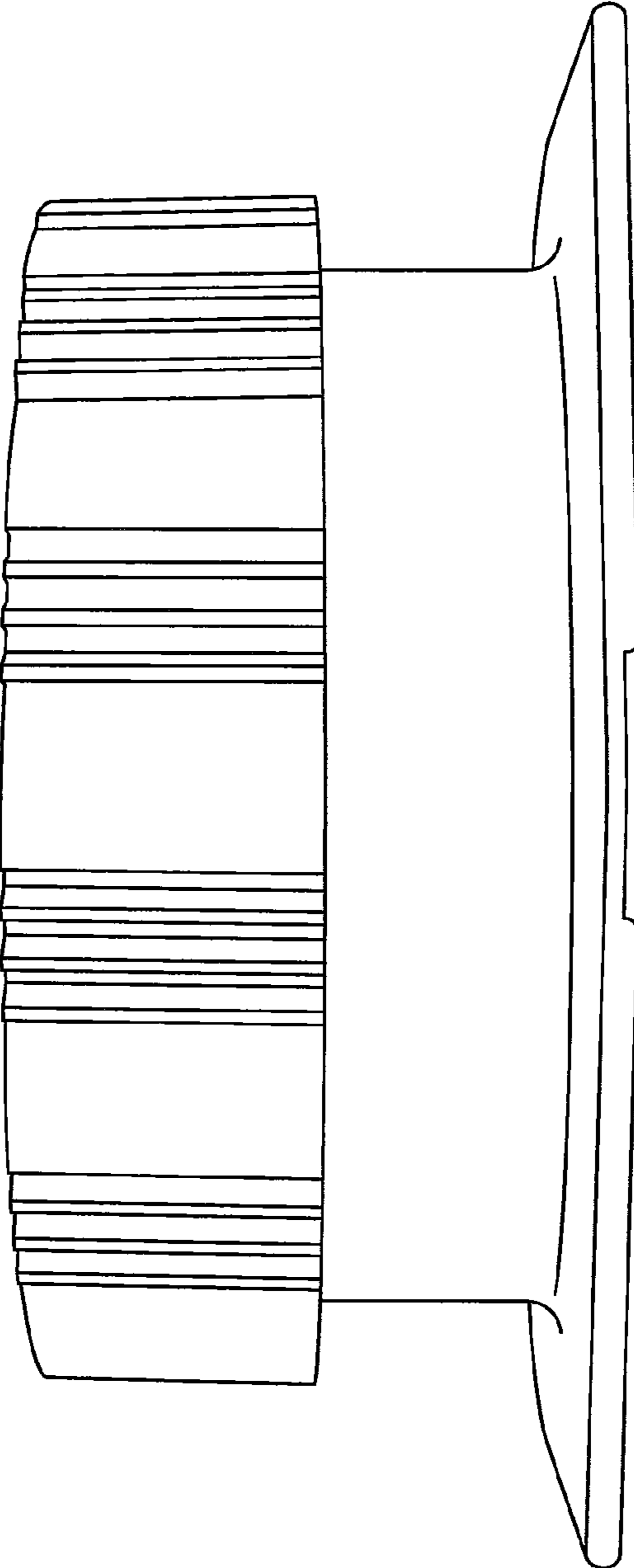
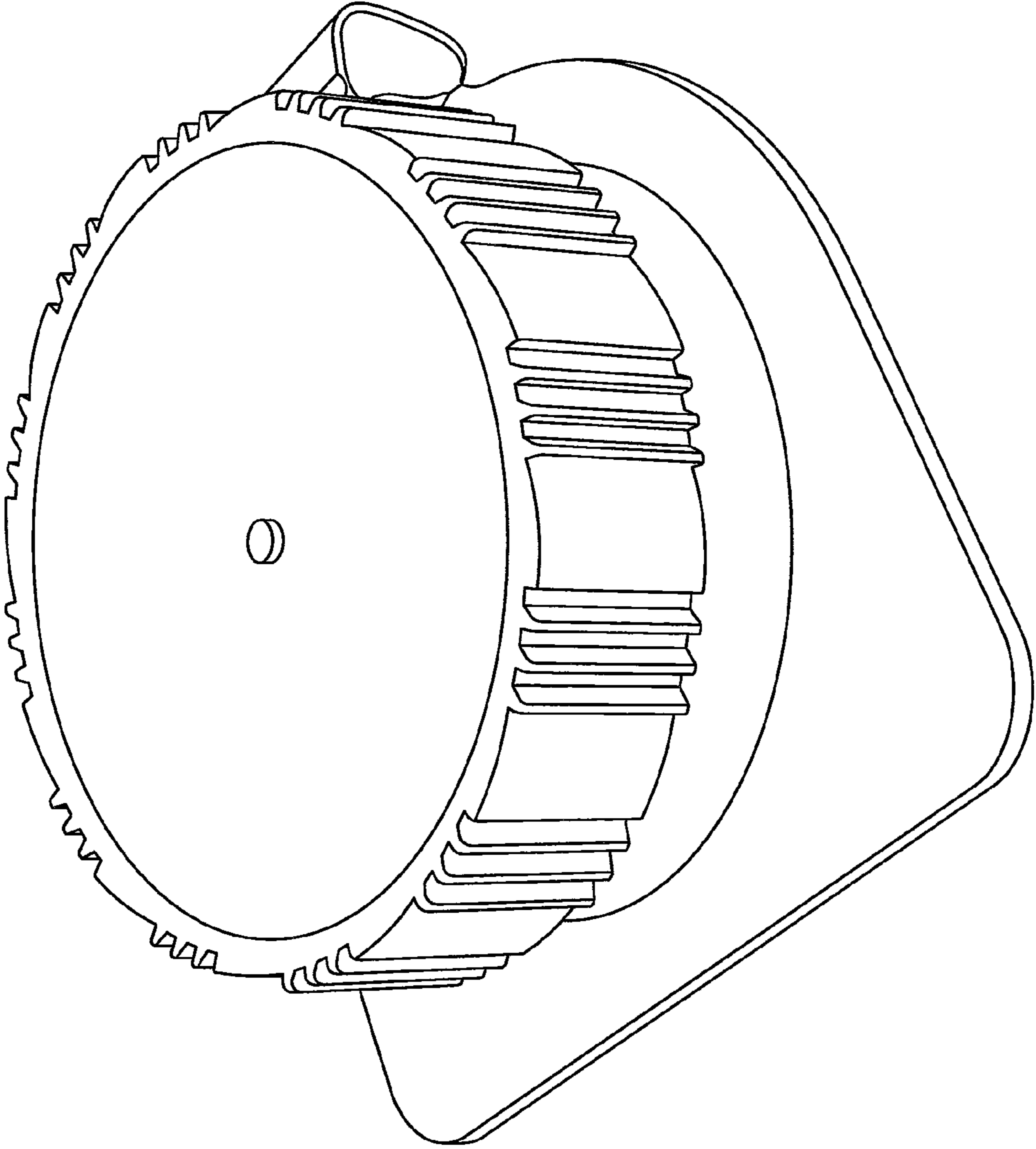


FIG. 3



**FIG. 4**

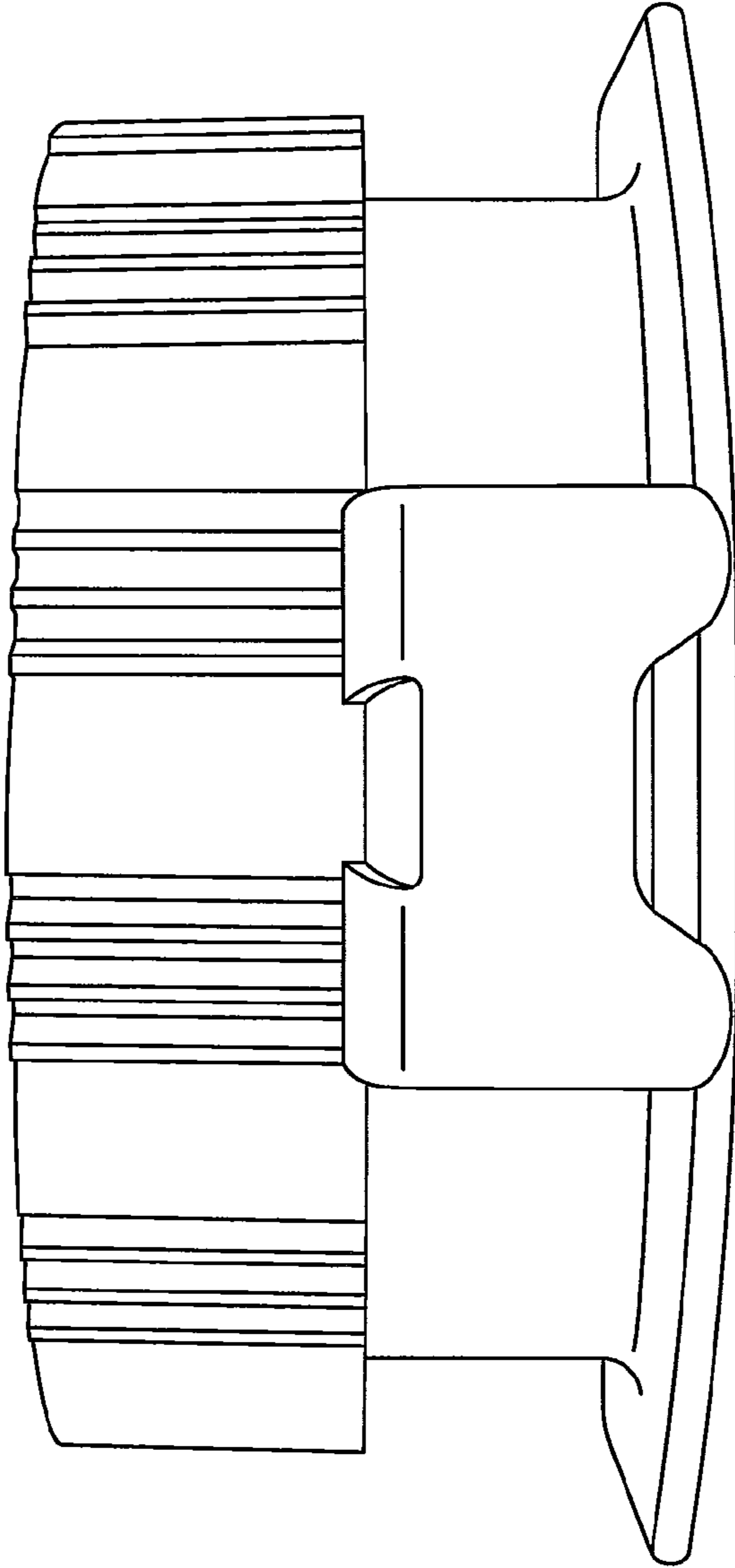


FIG. 5

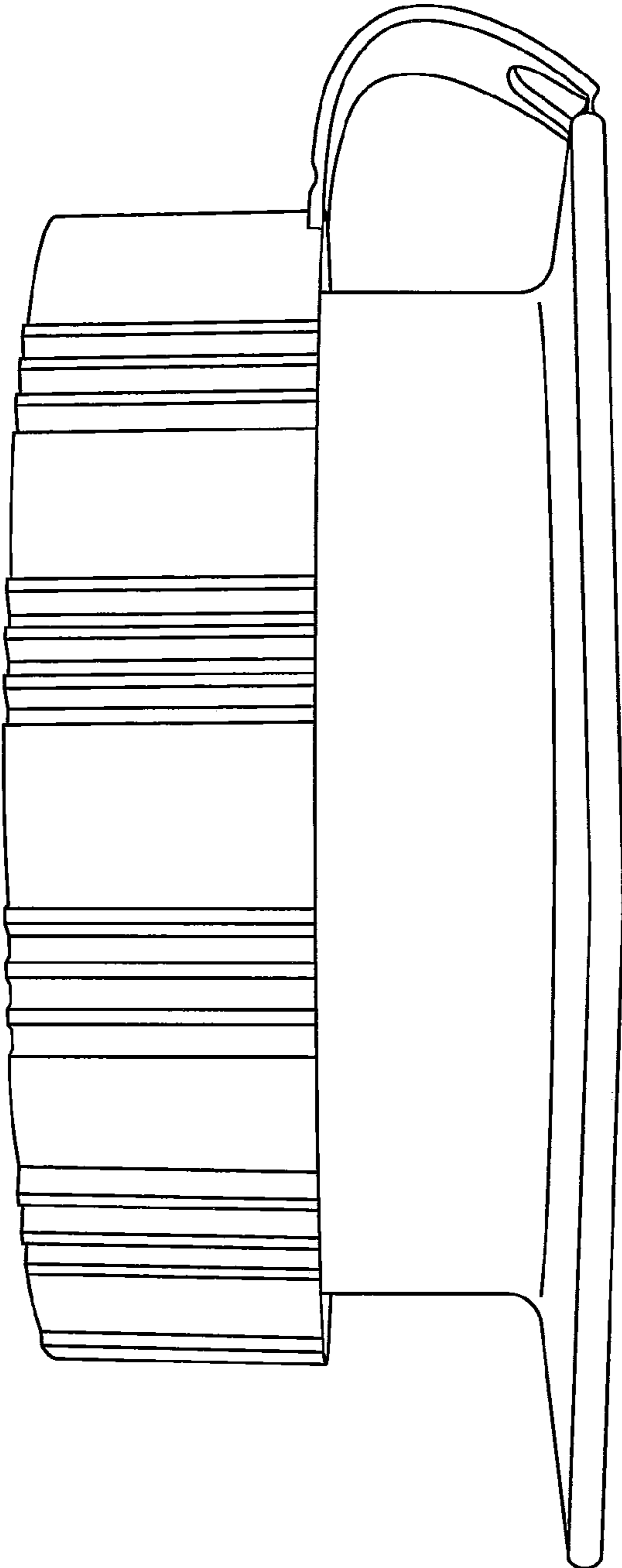


FIG. 6