



US00D648213S

(12) **United States Design Patent**  
**Golota et al.**

(10) **Patent No.:** **US D648,213 S**

(45) **Date of Patent:** **\*\* Nov. 8, 2011**

(54) **CONTAINER**

7,823,743 B2 \* 11/2010 McKahan et al. .... 220/521  
\* cited by examiner

(75) Inventors: **George A. Golota**, Glenview, IL (US);  
**James J. Sanfilippo**, Barrington, IL  
(US); **Roman Forowycz**, Lake Forest, IL  
(US)

*Primary Examiner* — Thomas Johannes

(57) **CLAIM**

The ornamental design for a container, as shown and described.

(73) Assignee: **Clear Lam Packaging, Inc**, Elk Grove  
Village, IL (US)

**DESCRIPTION**

(\*\*) Term: **14 Years**

(21) Appl. No.: **29/385,065**

(22) Filed: **Feb. 8, 2011**

(51) **LOC (9) Cl.** ..... **09-03**

(52) **U.S. Cl.** ..... **D9/429**

(58) **Field of Classification Search** ..... D9/414,  
D9/418, 424, 425, 428, 429, 431; D7/619,  
D7/629; 229/400-406, 932, 906.1; 220/656-659,  
220/669-675; 206/553, 557, 541, 775, 776  
See application file for complete search history.

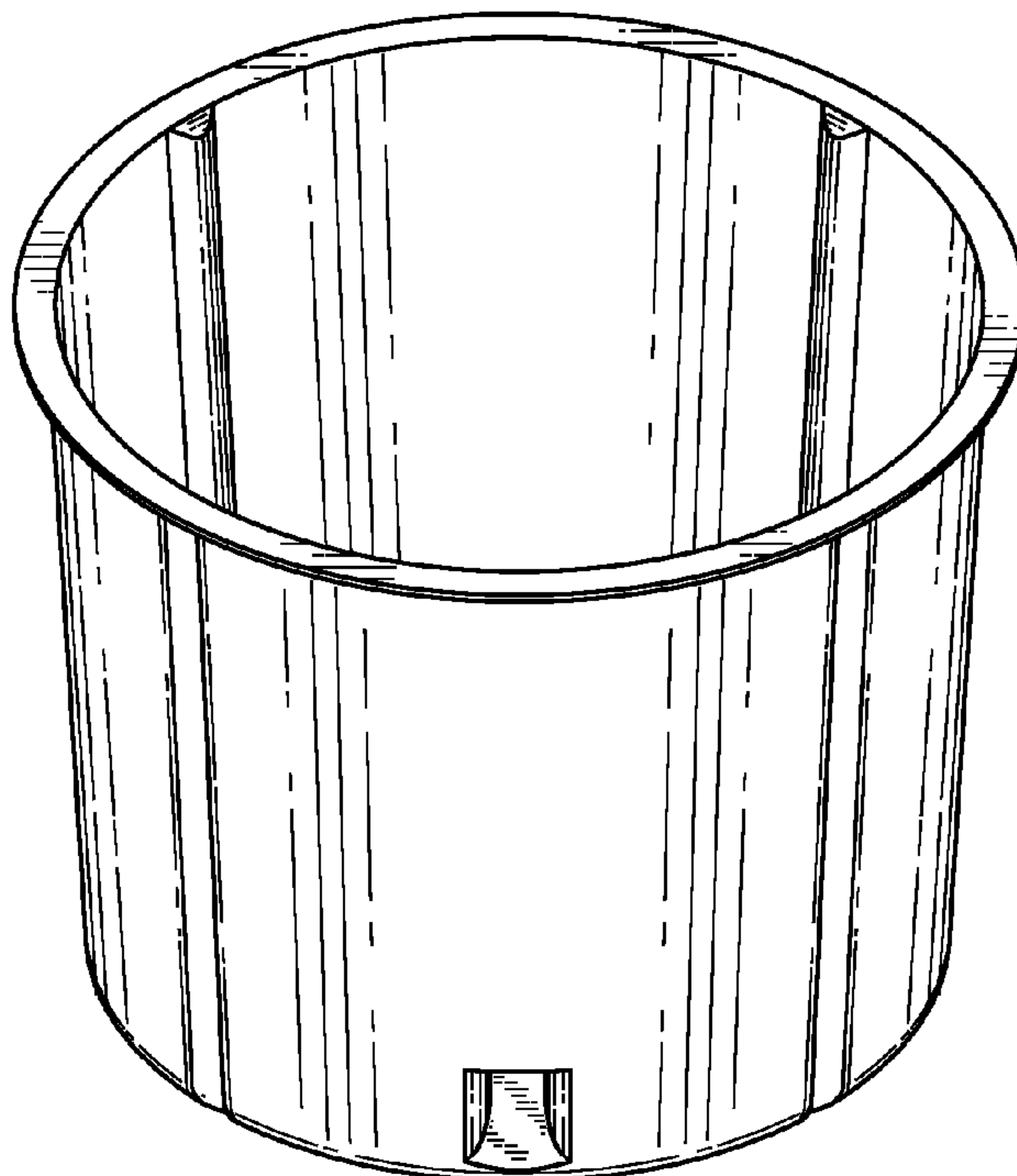
FIG. 1 is a top perspective view of a container showing our new design;  
FIG. 2 is a bottom perspective view thereof;  
FIG. 3 is a side view thereof;  
FIG. 4 is a side view thereof;  
FIG. 5 is a top view thereof;  
FIG. 6 is a bottom view thereof;  
FIG. 7 is a top perspective view thereof in a usage condition with an unclaimed lid;  
FIG. 8 is a top perspective view thereof in a usage condition with an unclaimed foil lid;  
FIG. 9 is a top perspective view thereof in a usage condition with an unclaimed lid with pull tab;  
FIG. 10 is a top perspective view thereof in a usage condition with an unclaimed label applied to the side;  
FIG. 11 is a top perspective view thereof in a usage condition with a larger unclaimed label applied to the side;  
FIG. 12 is a bottom perspective view thereof in a usage condition with an unclaimed base portion; and,  
FIG. 13 is a bottom perspective view thereof in a usage condition with another unclaimed base portion.  
The broken line portion of the figure drawings is included to show unclaimed subject matter only and forms no part of the claimed design.

(56) **References Cited**

U.S. PATENT DOCUMENTS

D267,929	S	*	2/1983	Torterotot	.....	D7/612
D338,636	S	*	8/1993	Moore	.....	D11/152
D351,790	S	*	10/1994	Haindl	.....	D9/425
D390,460	S	*	2/1998	Schmidt	.....	D9/428
D447,053	S	*	8/2001	Chagnon et al.	.....	D9/428
D452,150	S	*	12/2001	Viner	.....	D9/428
6,371,324	B1	*	4/2002	Torniainen et al.	.....	220/212
6,604,646	B2	*	8/2003	Torniainen et al.	.....	220/212
D606,363	S	*	12/2009	Aardenburg	.....	D7/400

**1 Claim, 8 Drawing Sheets**



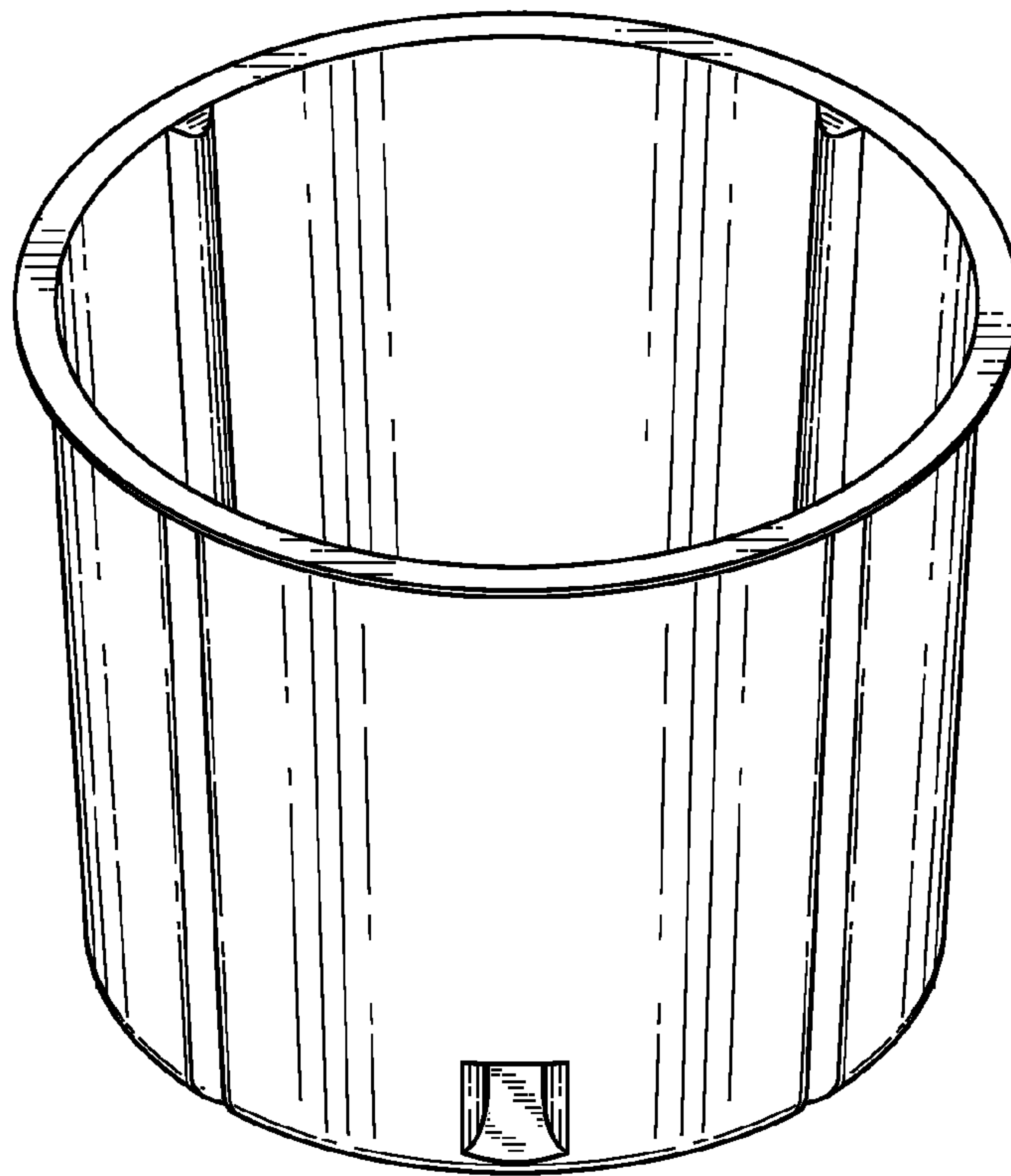


FIG. 1

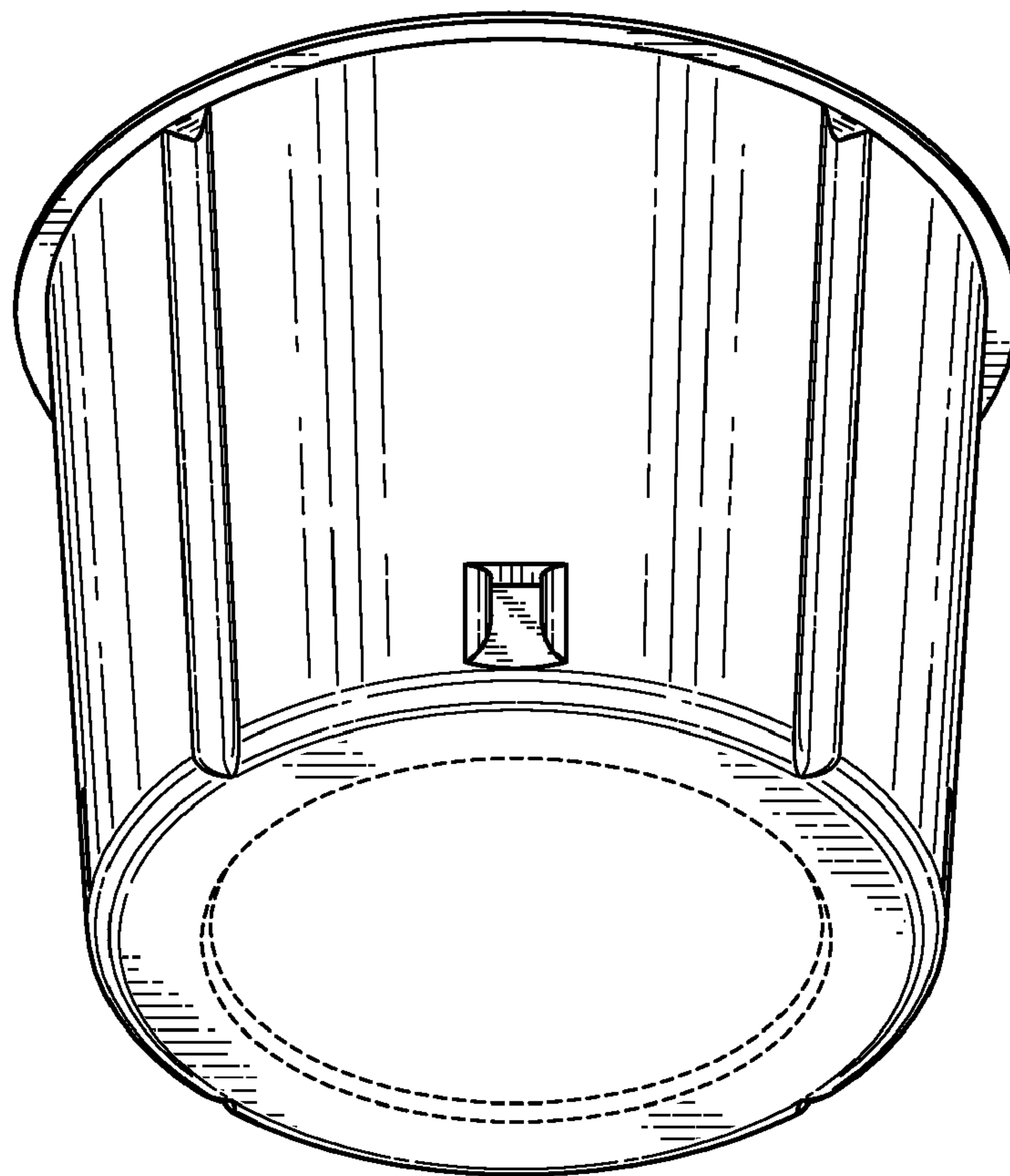


FIG. 2

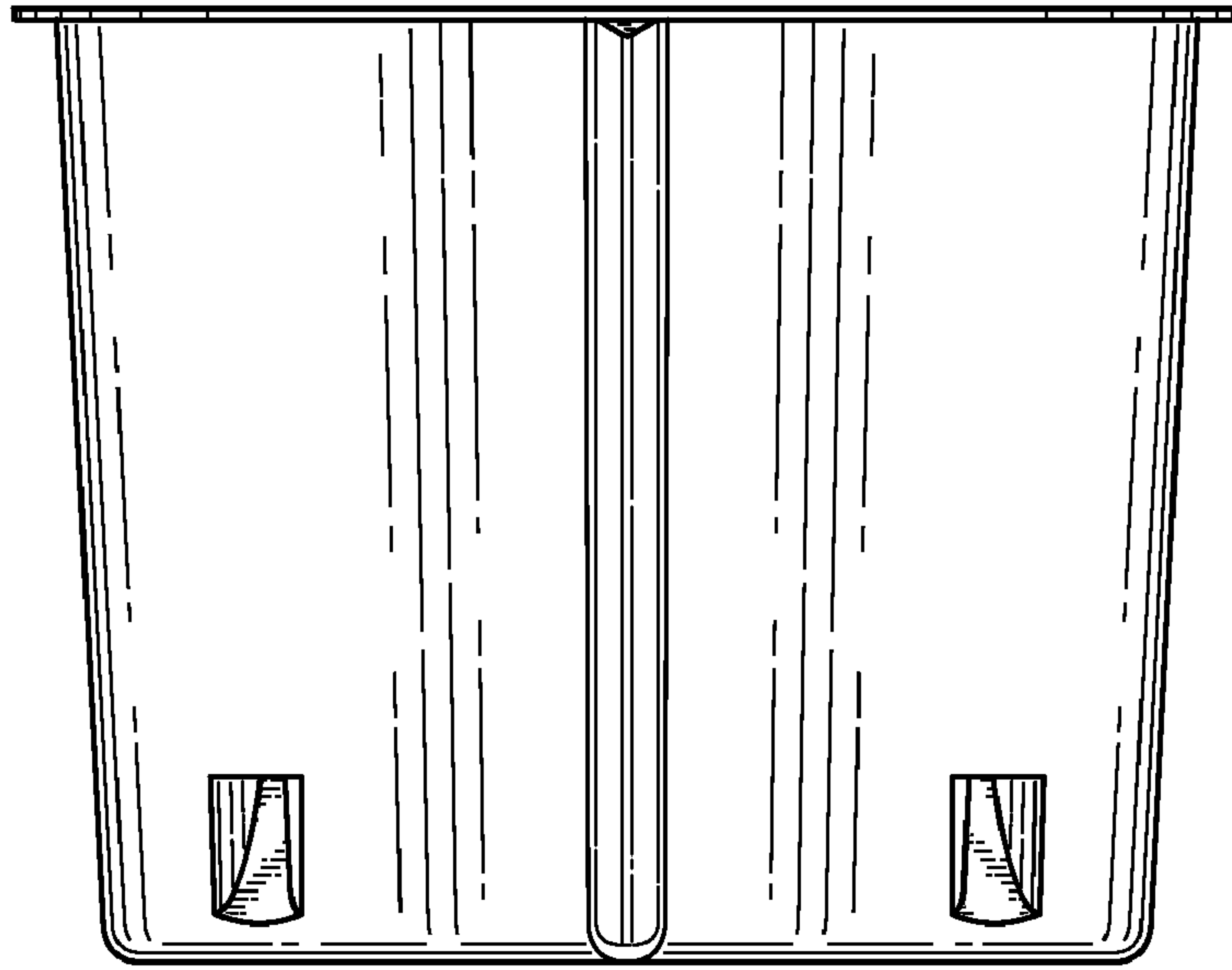


FIG. 3

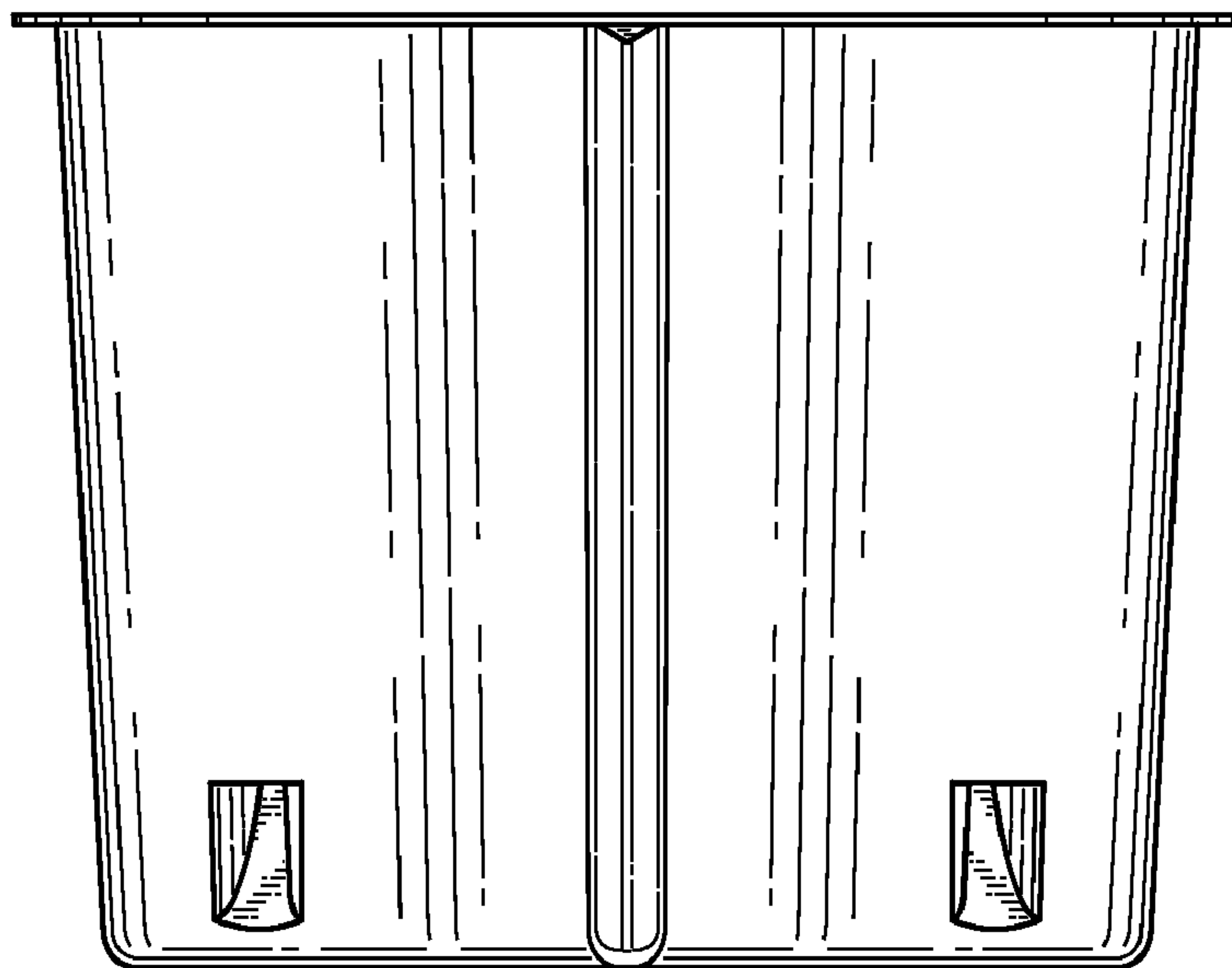


FIG. 4

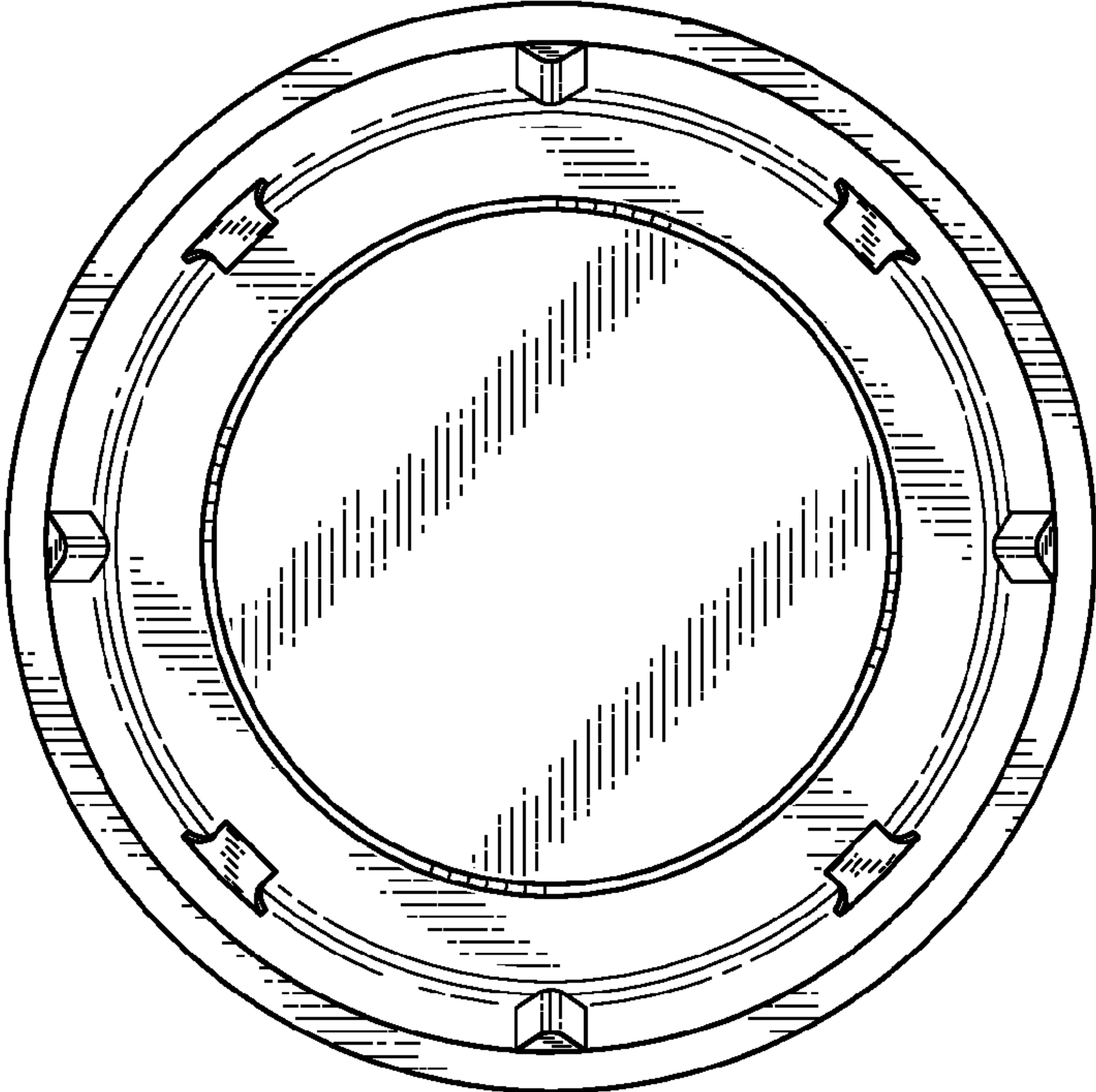


FIG. 5

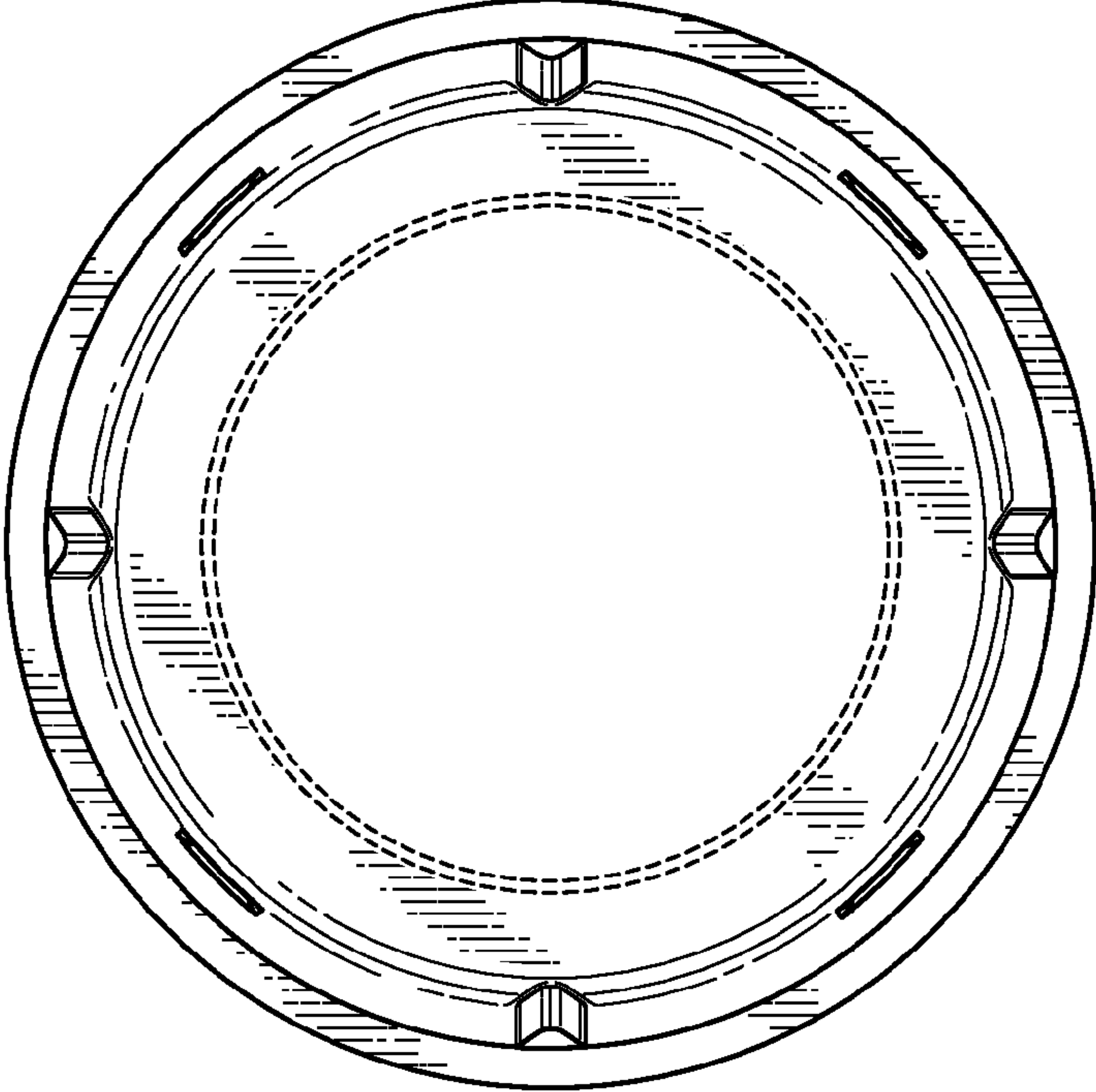


FIG. 6

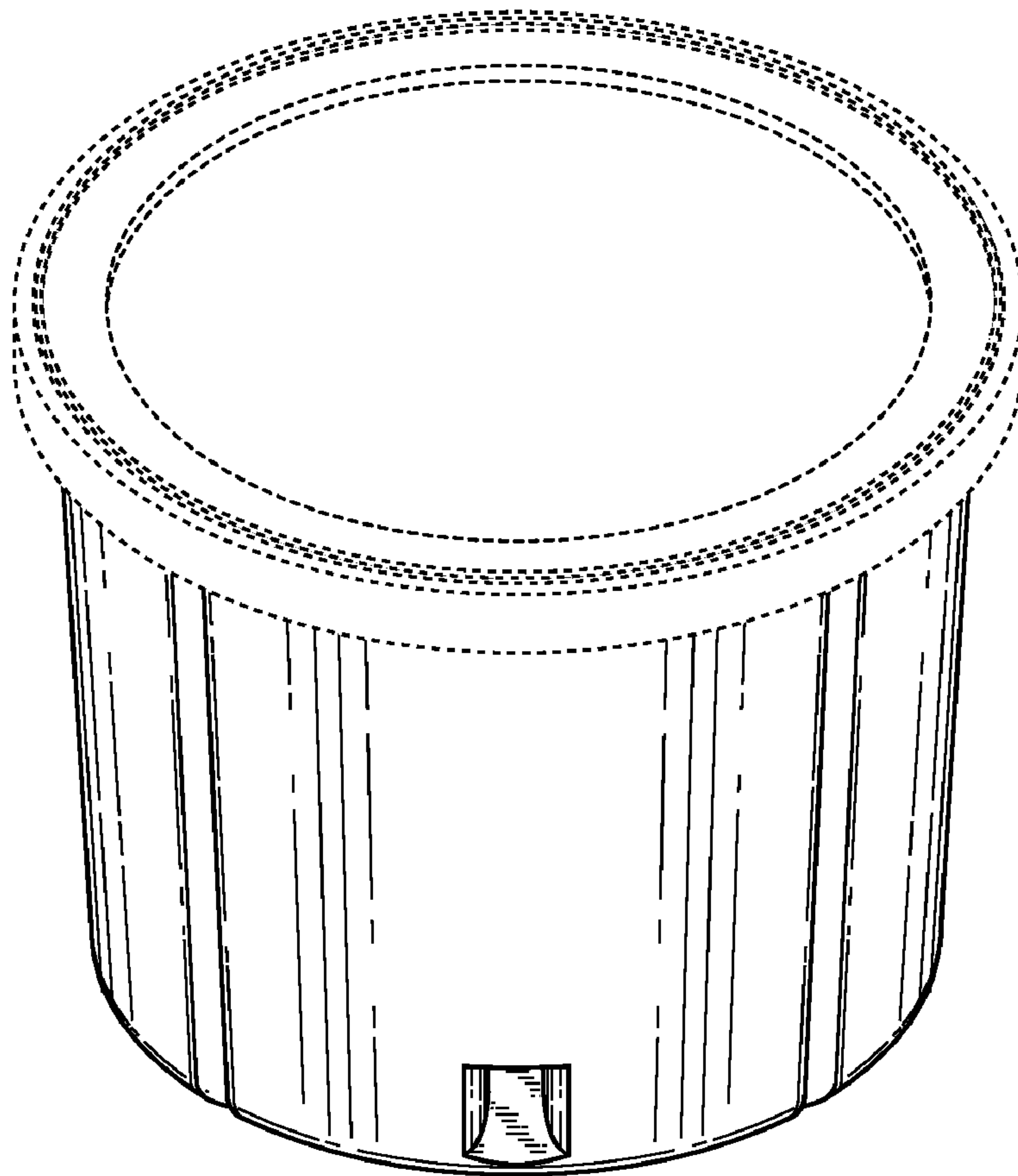


FIG. 7



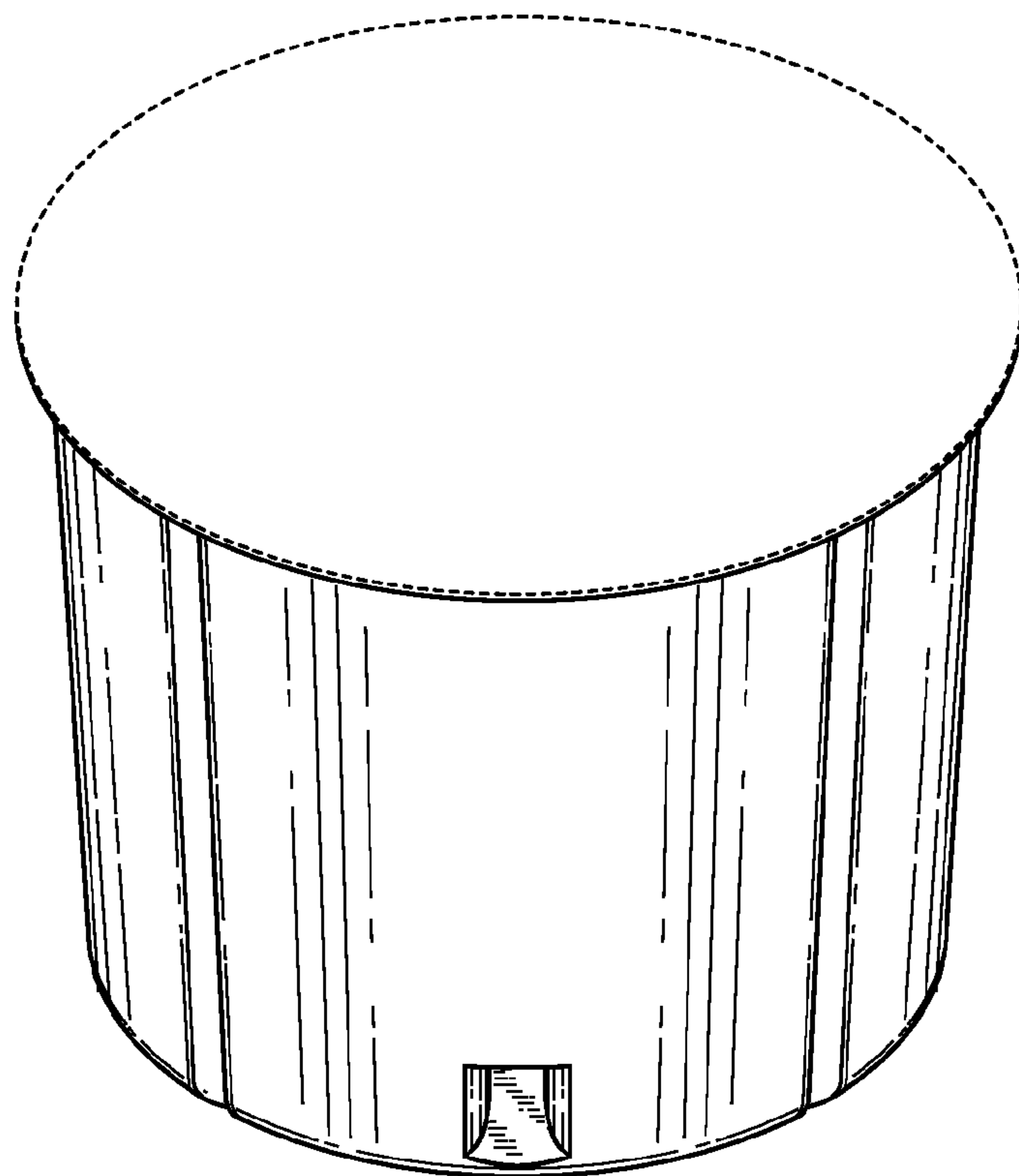


FIG. 8

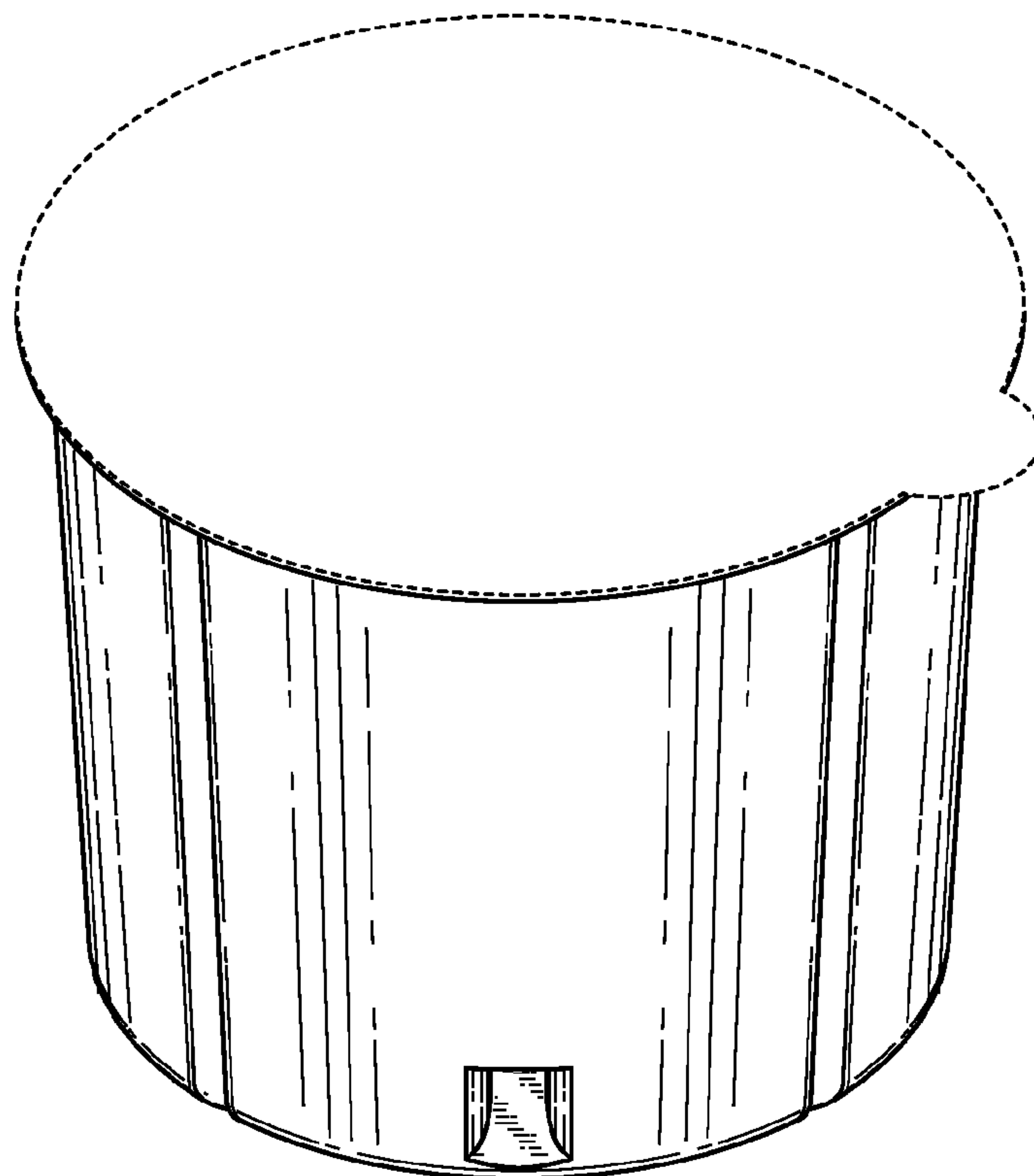


FIG. 9

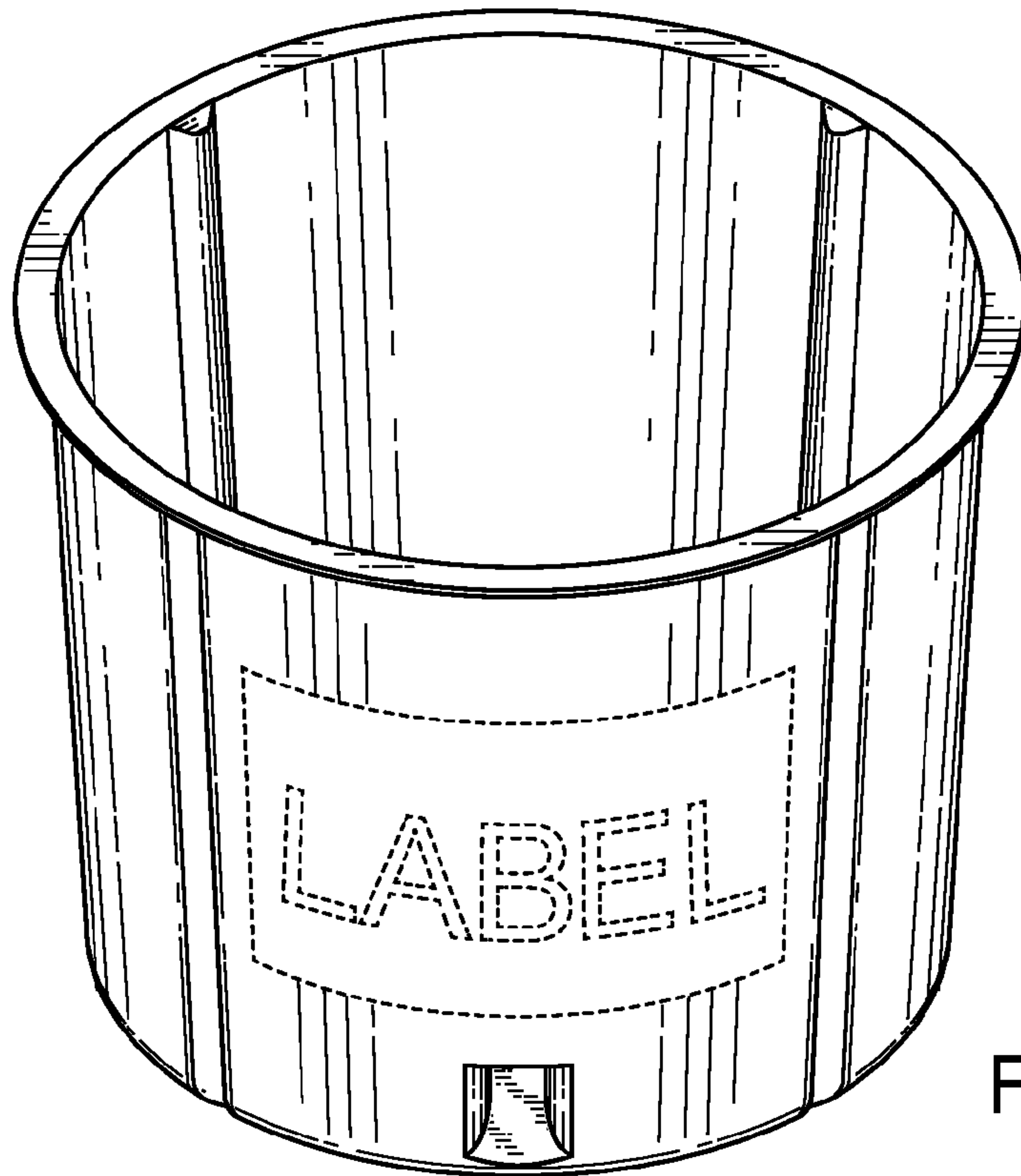


FIG. 10

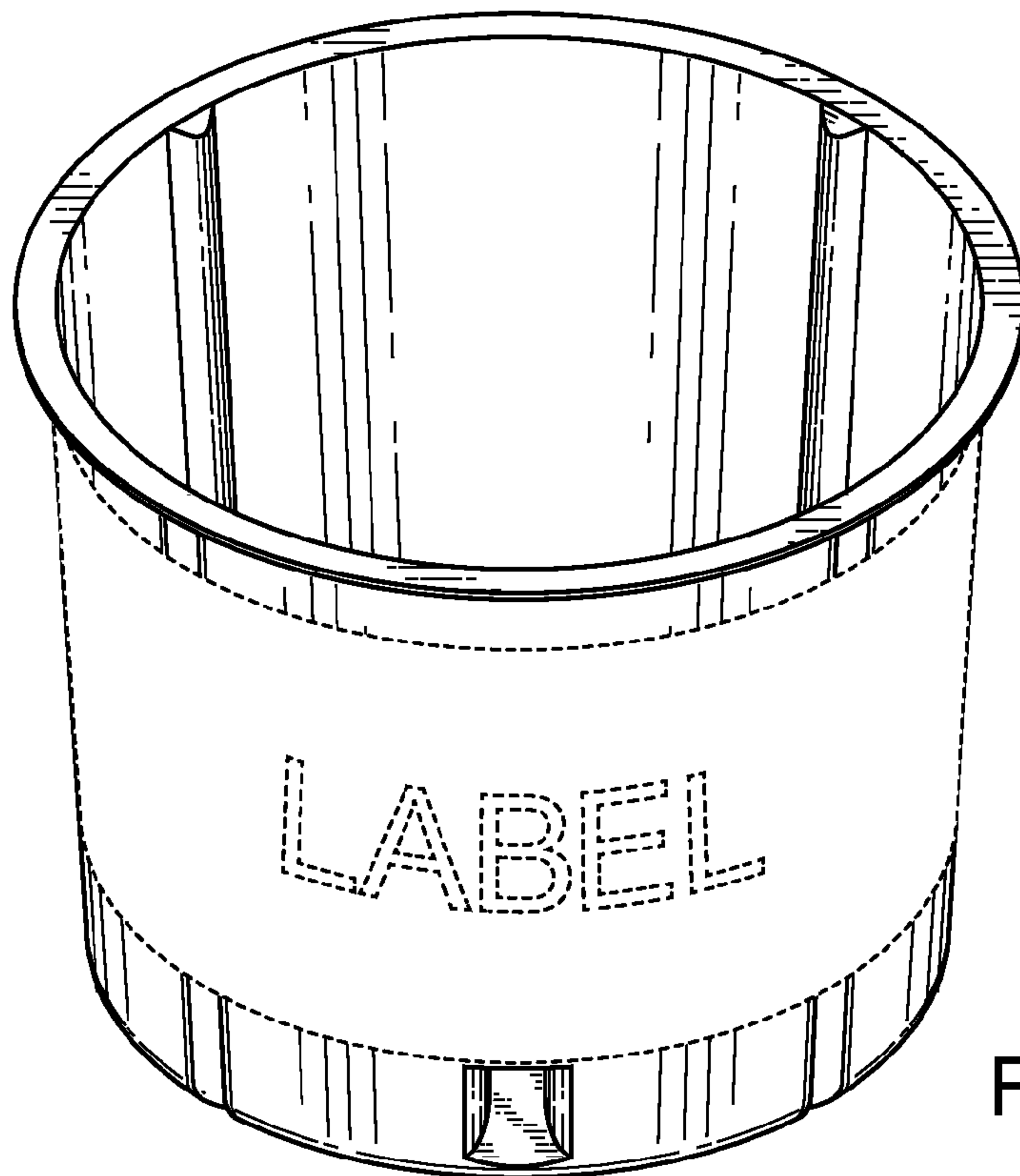


FIG. 11



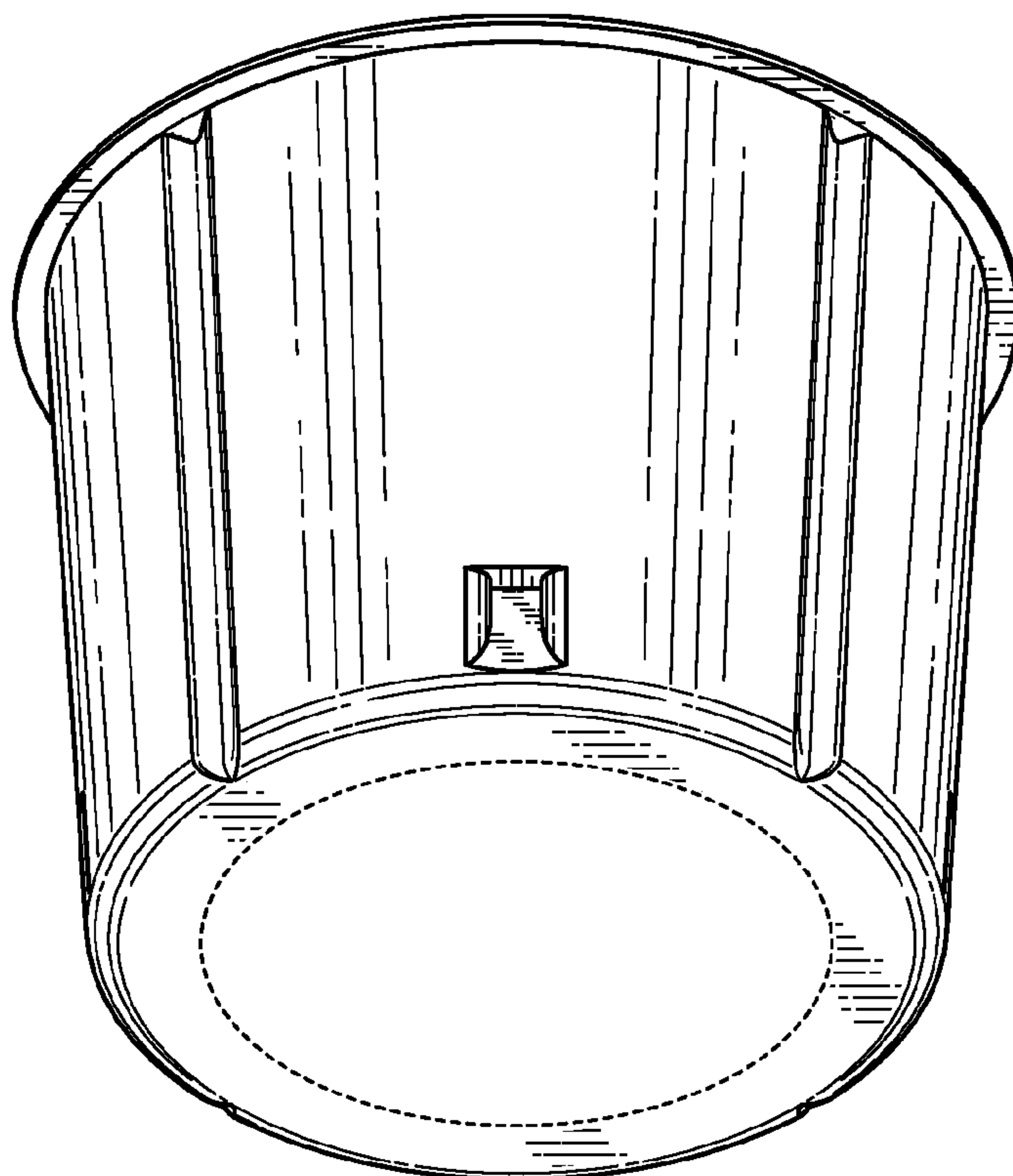


FIG. 12

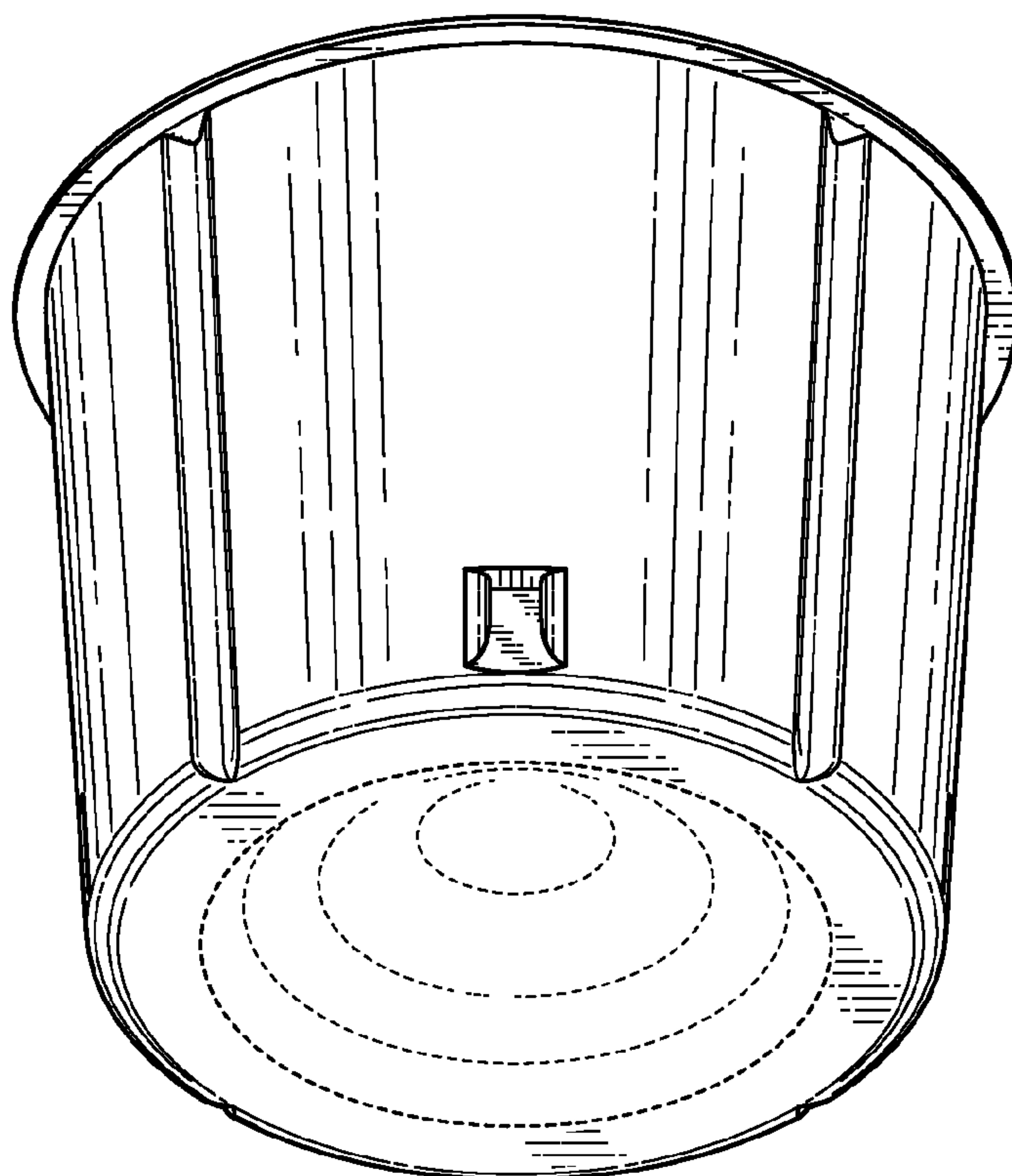


FIG. 13