



US00D648212S

(12) **United States Design Patent**
Golota et al.

(10) **Patent No.:** **US D648,212 S**

(45) **Date of Patent:** **** Nov. 8, 2011**

(54) **CONTAINER**

(75) Inventors: **George A. Golota**, Glenview, IL (US);
James J. Sanfilippo, Barrington, IL
(US); **Roman Forowycz**, Lake Forest, IL
(US)

(73) Assignee: **Clear Lam Packaging, Inc.**, Elk Grove
Village, IL (US)

(**) Term: **14 Years**

(21) Appl. No.: **29/385,067**

(22) Filed: **Feb. 8, 2011**

(51) **LOC (9) Cl.** **09-03**

(52) **U.S. Cl.** **D9/428**

(58) **Field of Classification Search** D9/414,
D9/418, 424, 425, 428, 429, 431; D7/619,
D7/629; 229/400-406, 932, 906.1; 220/656-659,
220/669-675, 912, 4.21-4.27; 206/553,
206/557, 541, 775, 776

See application file for complete search history.

(56) **References Cited**

U.S. PATENT DOCUMENTS

D267,929	S	*	2/1983	Torterotot	D7/612
D338,636	S	*	8/1993	Moore	D11/152
D351,790	S	*	10/1994	Haindl	D9/425
D390,460	S	*	2/1998	Schmidt	D9/428
D447,053	S	*	8/2001	Chagnon et al.	D9/428
D452,150	S	*	12/2001	Viner	D9/428
6,371,324	B1	*	4/2002	Torniainen et al.	220/212
6,604,646	B2	*	8/2003	Torniainen et al.	220/212
D606,363	S	*	12/2009	Aardenburg	D7/400

7,823,743 B2 * 11/2010 McKahan et al. 220/521
* cited by examiner

Primary Examiner — Thomas Johannes

(57) **CLAIM**

The ornamental design for a container, as shown and described.

DESCRIPTION

FIG. 1 is a top perspective view of a container showing our new design;

FIG. 2 is a bottom perspective view thereof;

FIG. 3 is a side view thereof;

FIG. 4 is a side view thereof;

FIG. 5 is a top view thereof;

FIG. 6 is a bottom view thereof;

FIG. 7 is a top perspective view thereof in a usage condition with an unclaimed lid;

FIG. 8 is a top perspective view thereof in a usage condition with an unclaimed foil/film lidstock;

FIG. 9 is a top perspective view thereof in a usage condition with an unclaimed foil/film lidstock and pull tab;

FIG. 10 is a top perspective view thereof in a usage condition with an unclaimed label;

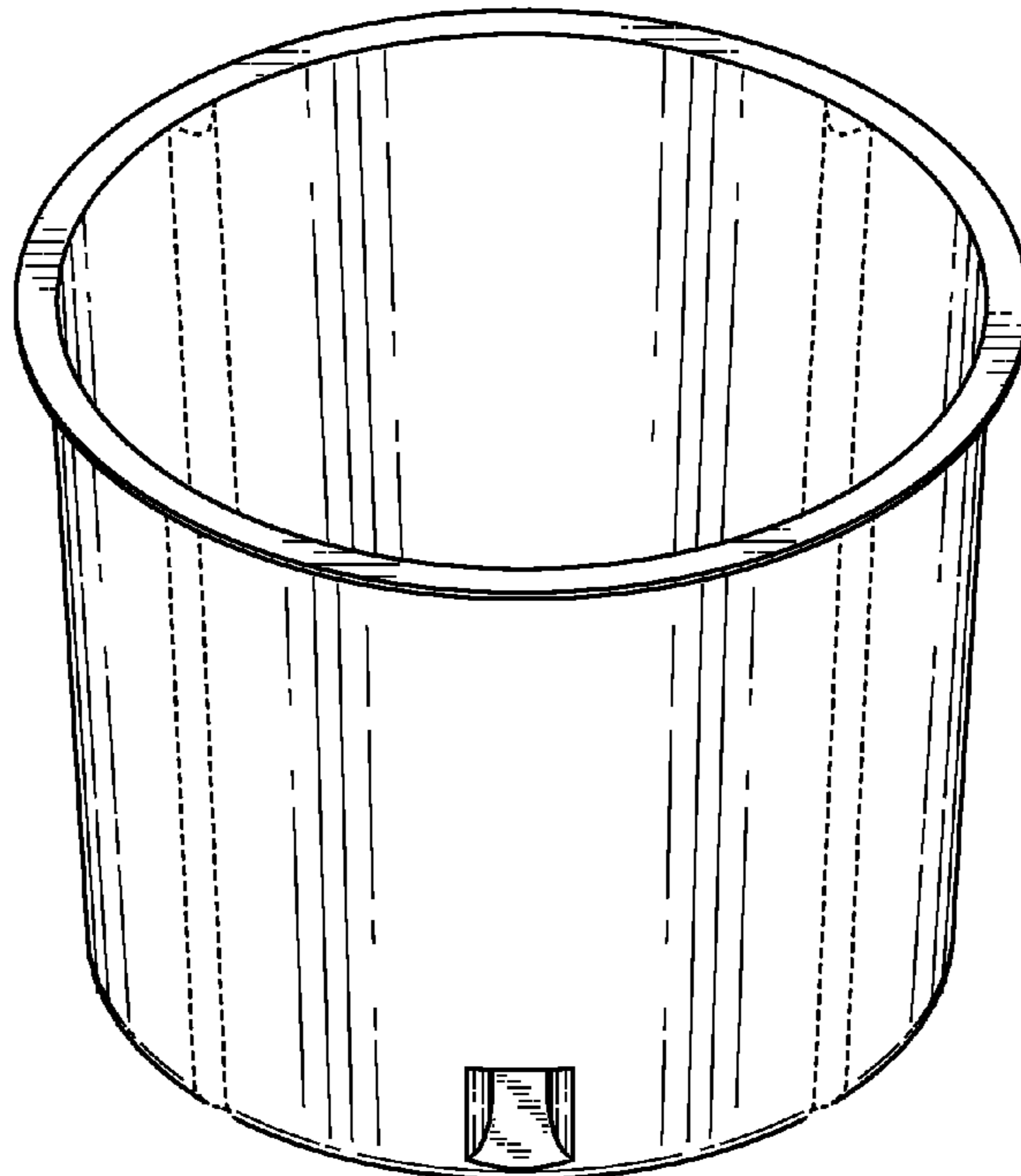
FIG. 11 is a top perspective view thereof in a usage condition with a larger unclaimed label;

FIG. 12 is a bottom perspective view thereof in a usage condition with an unclaimed base portion; and,

FIG. 13 is a bottom perspective view thereof in a usage condition with an unclaimed base portion.

The broken line portion of the figure drawings is included to show unclaimed subject matter only and forms no part of the claimed design.

1 Claim, 8 Drawing Sheets



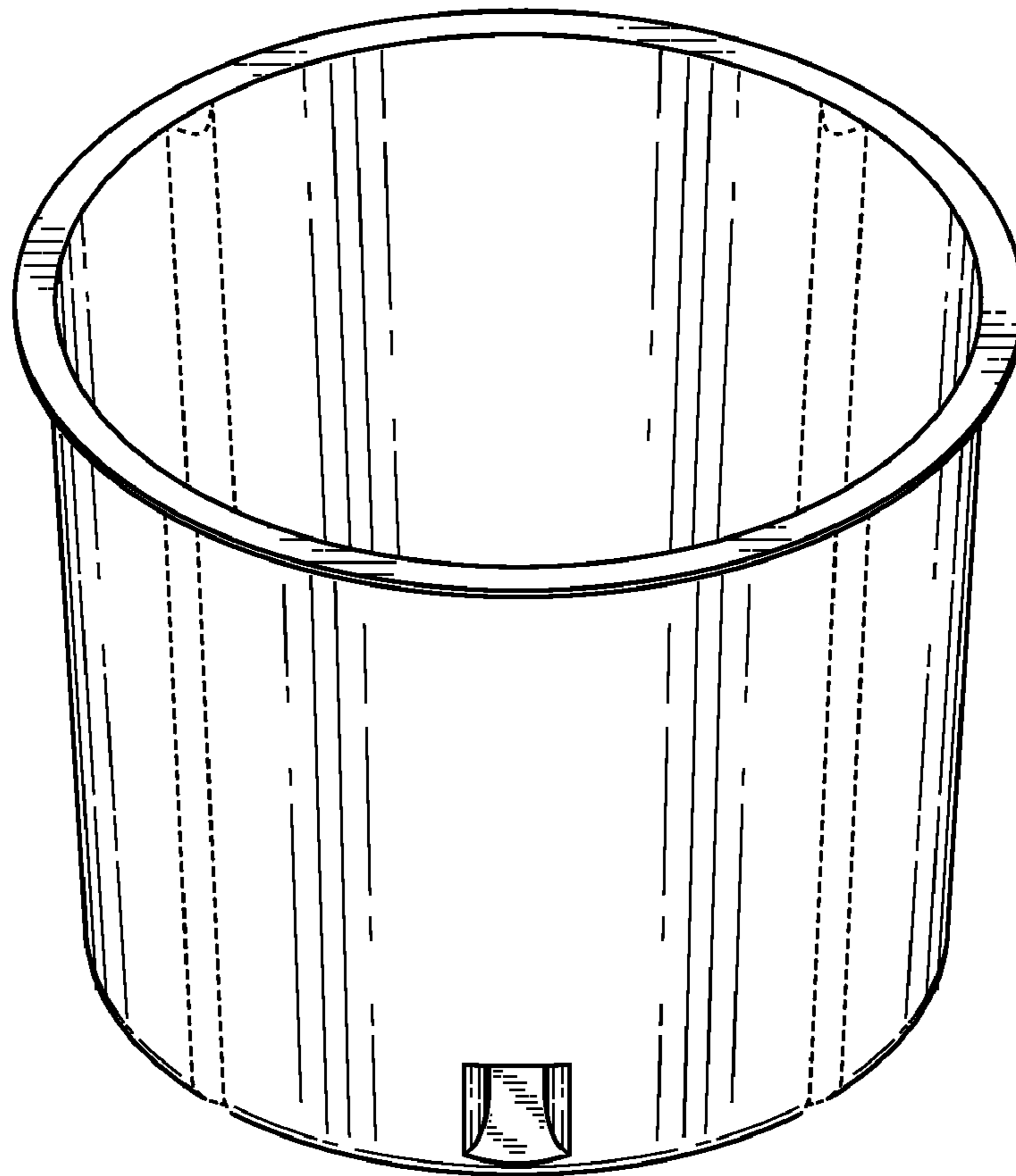


FIG. 1

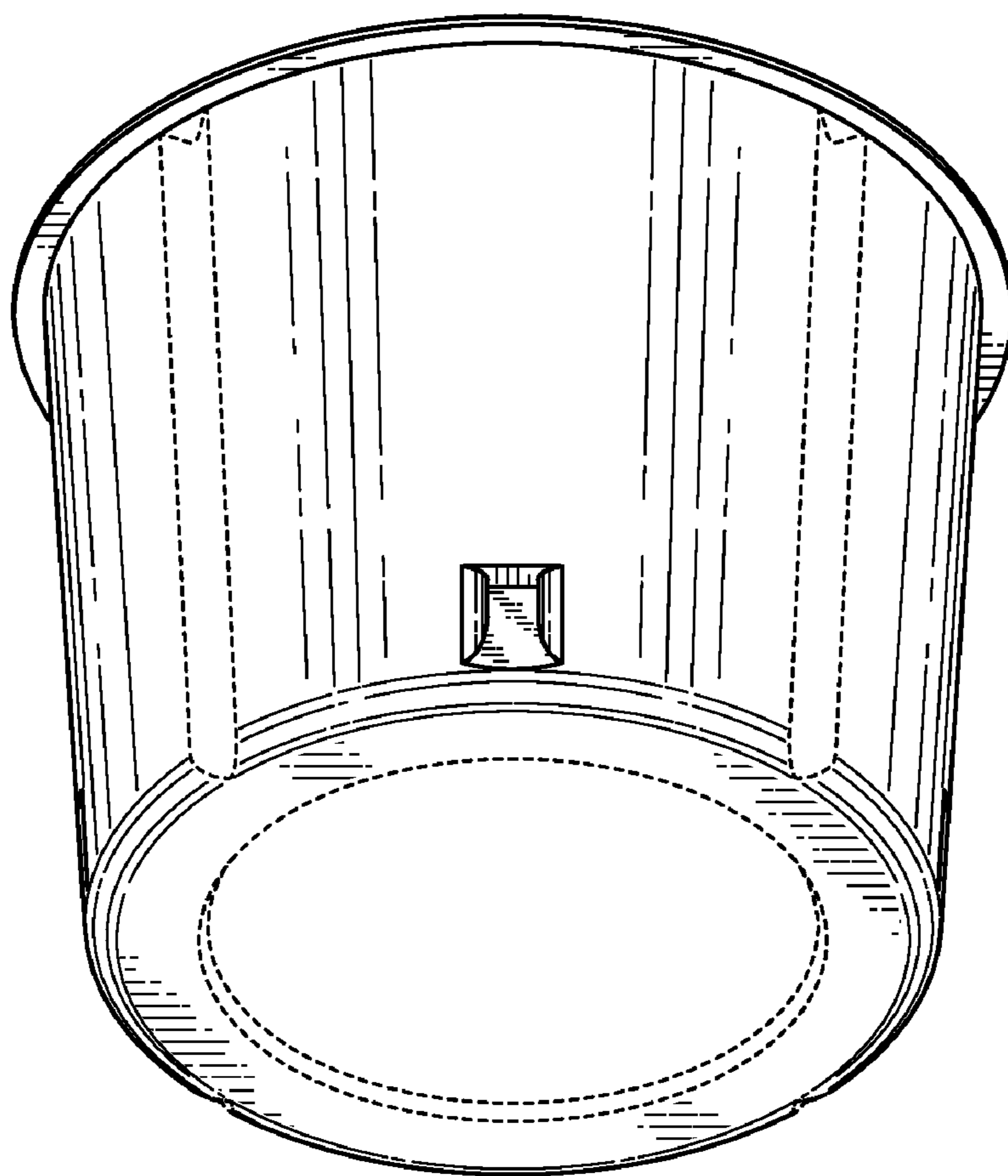


FIG. 2

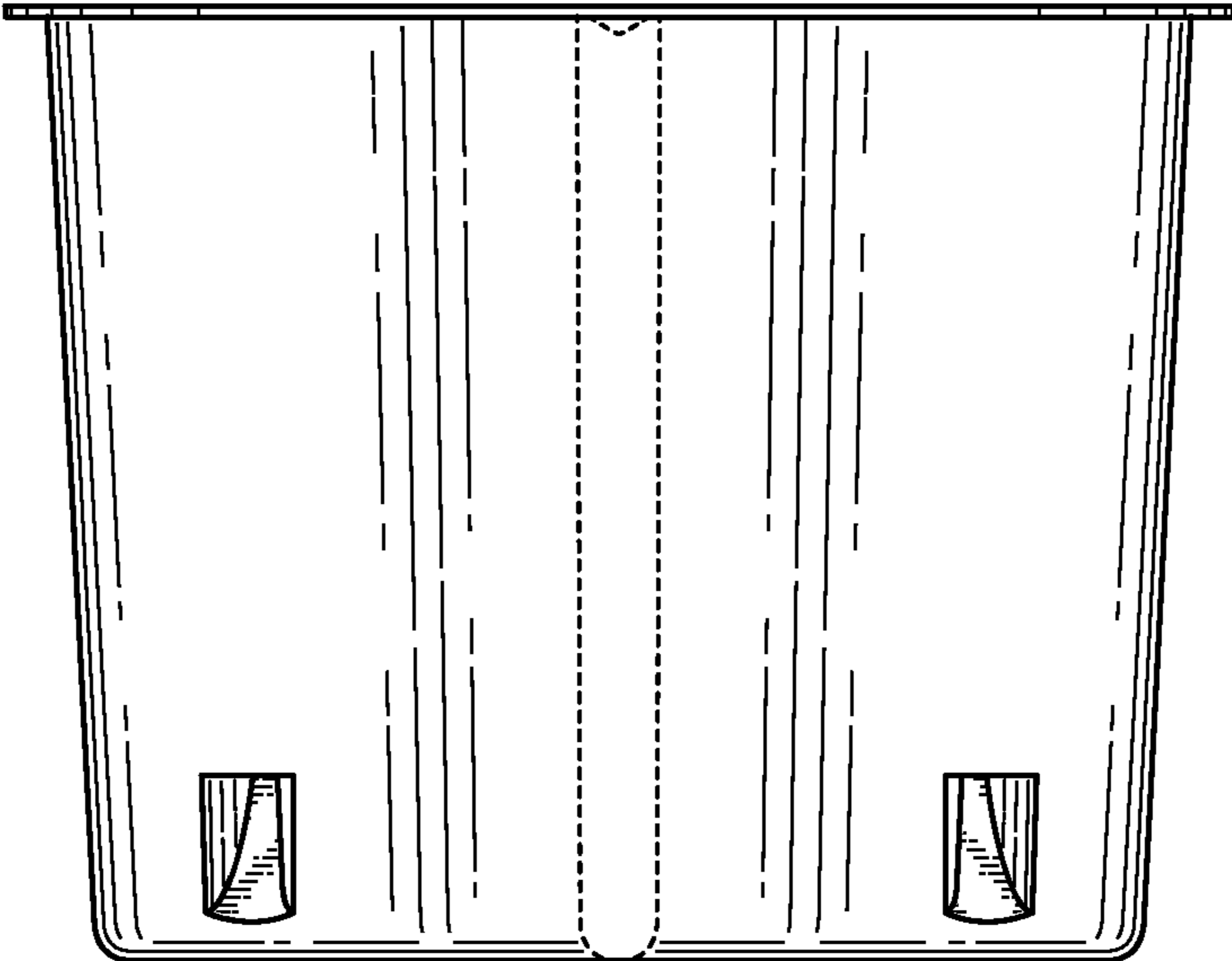


FIG. 3

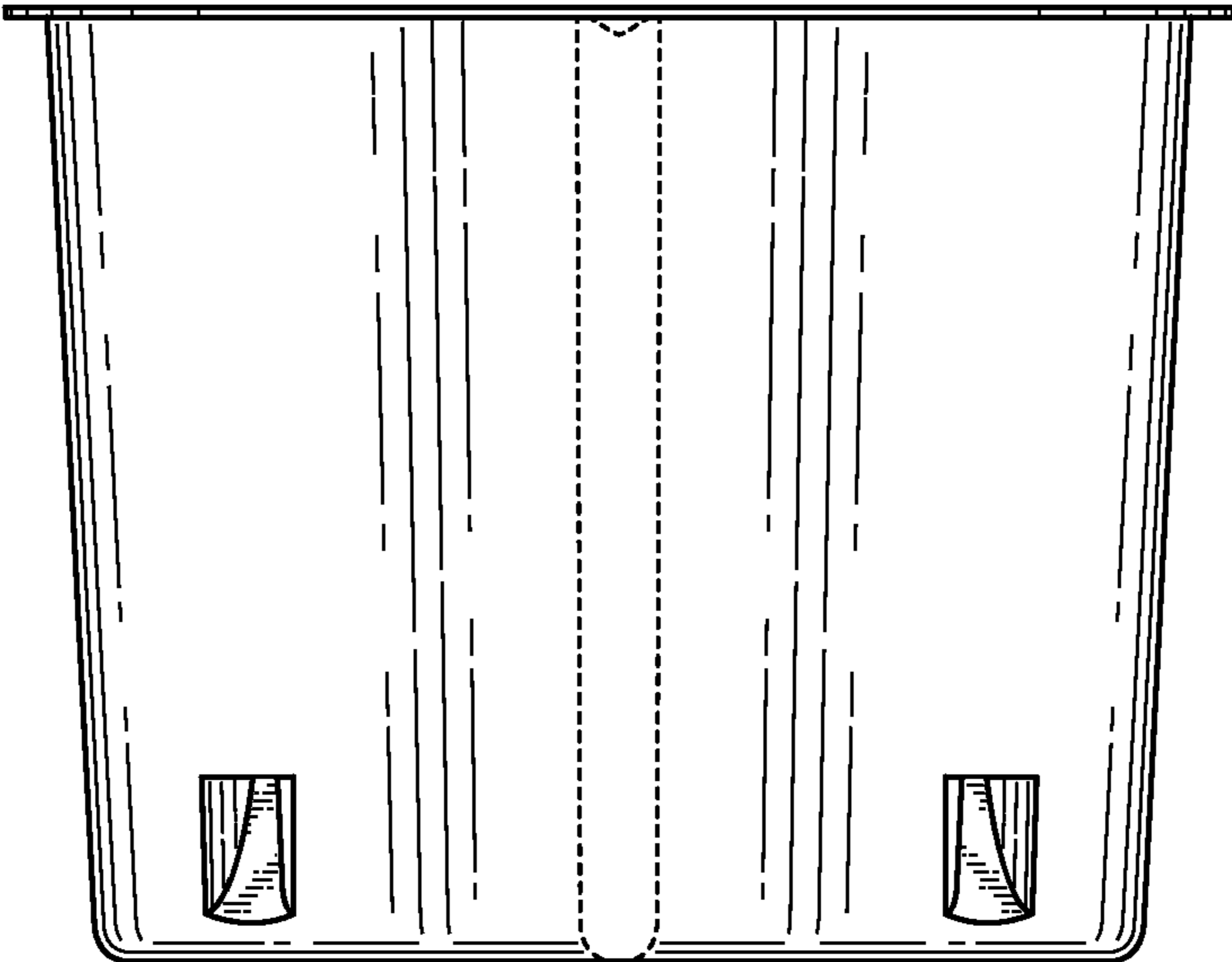


FIG. 4

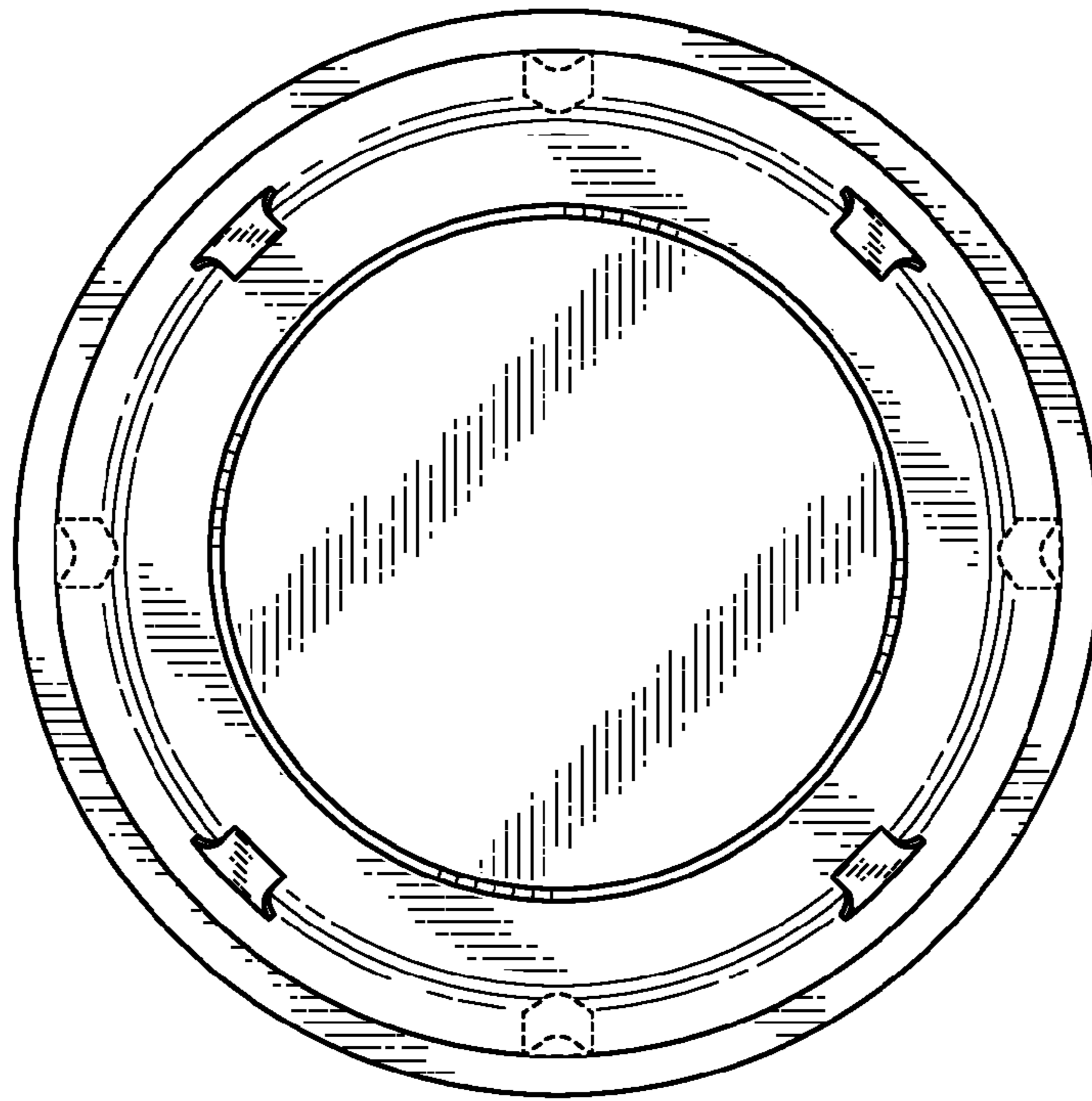


FIG. 5

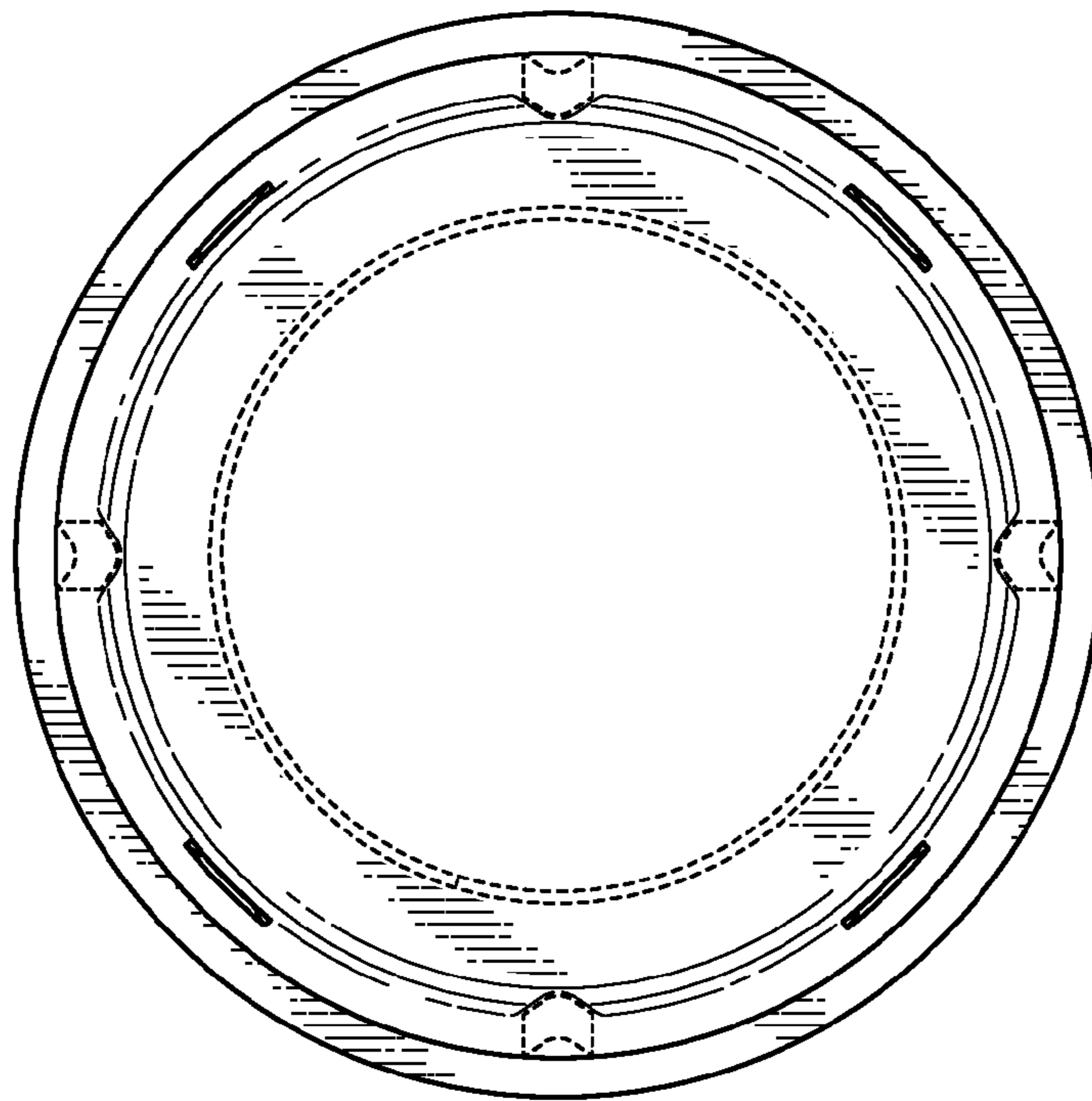


FIG. 6

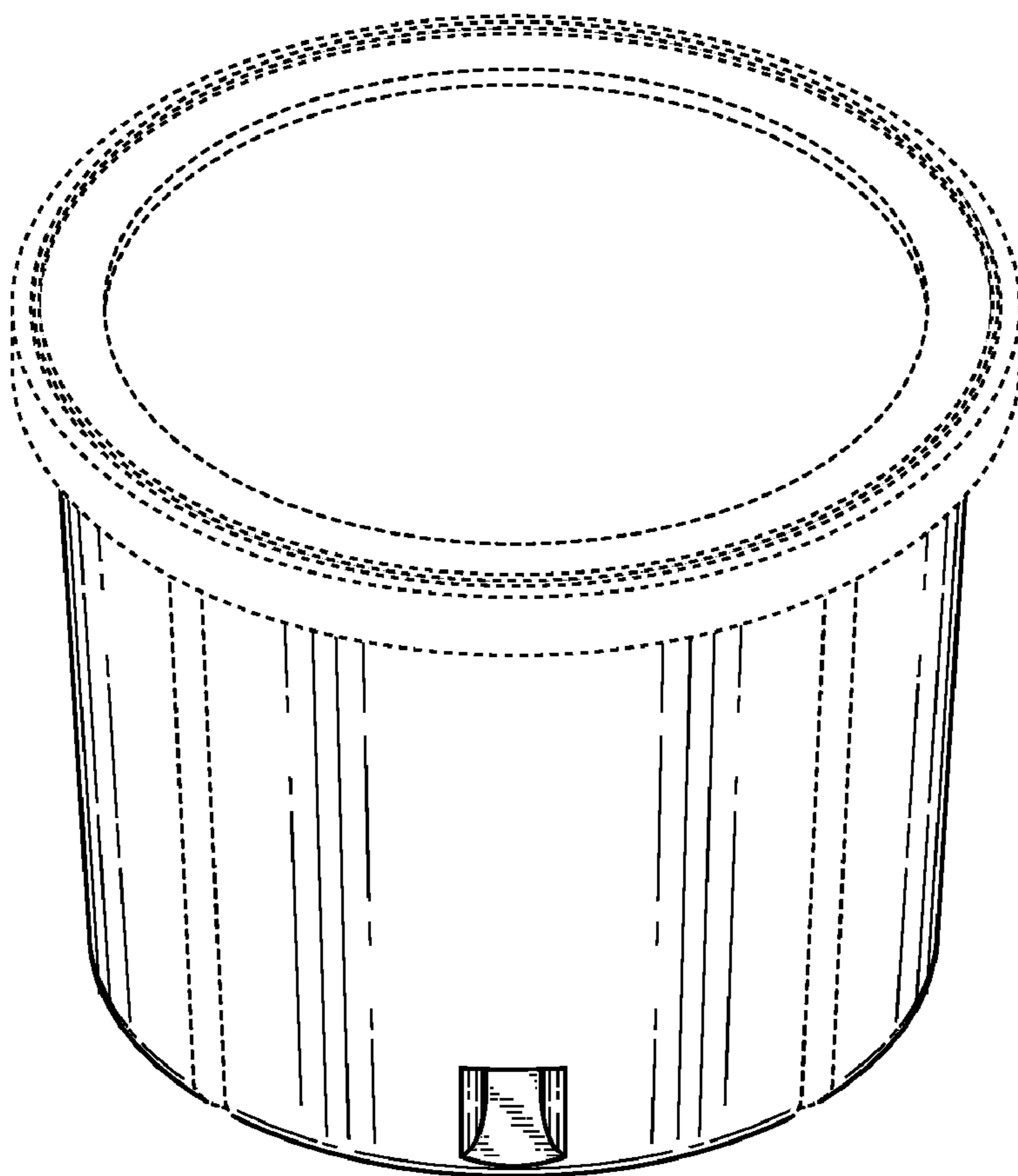


FIG. 7

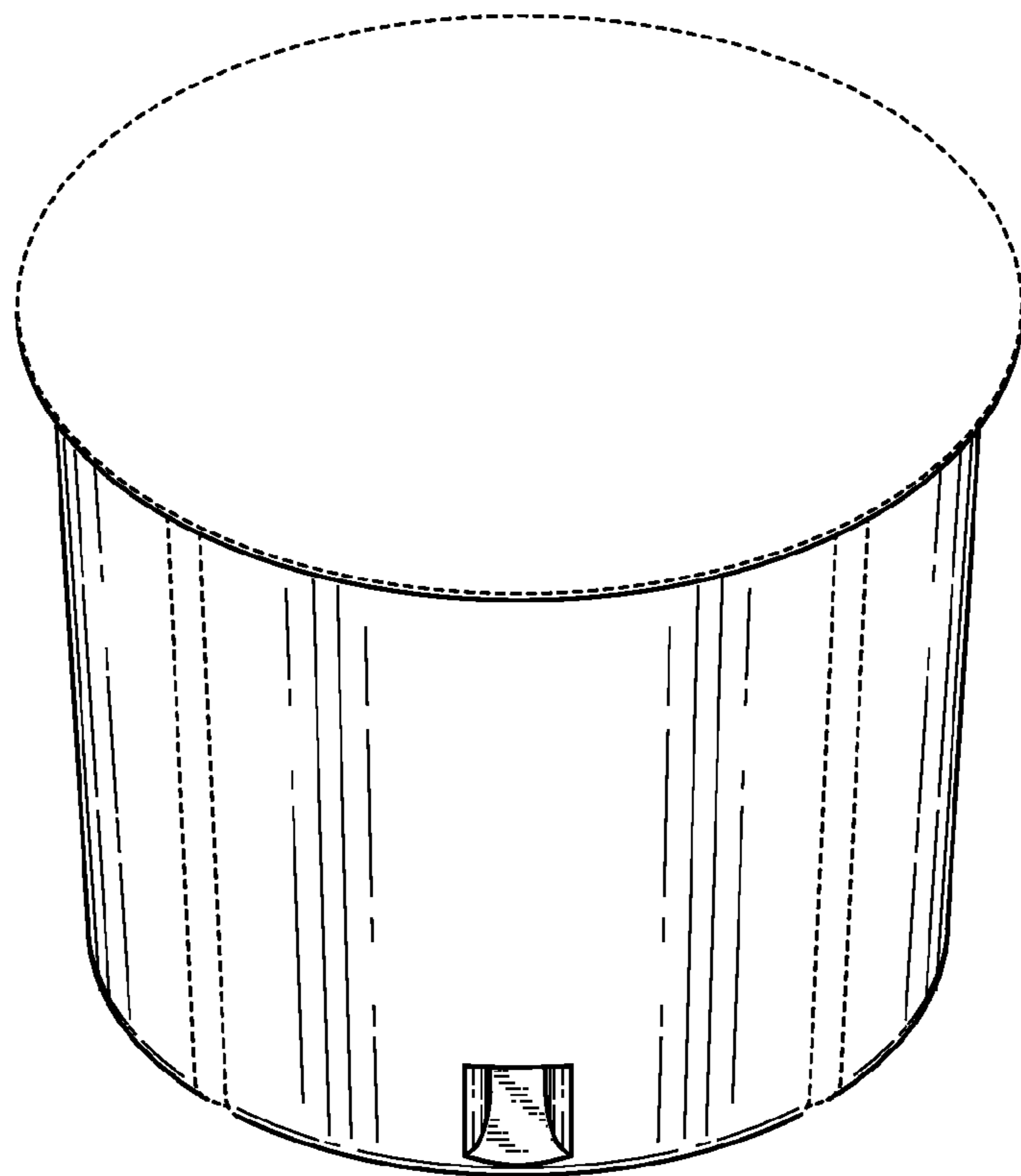


FIG. 8

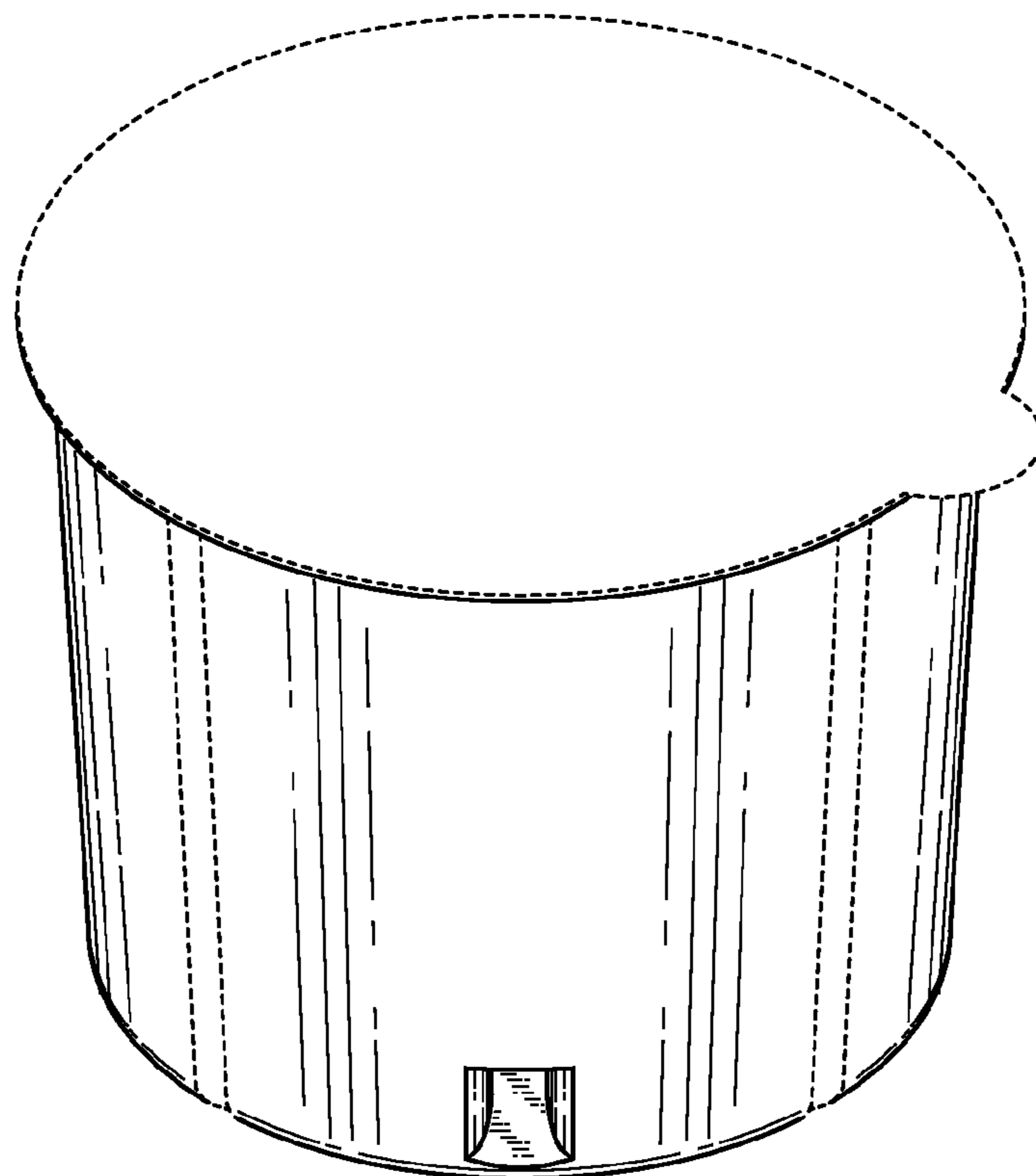


FIG. 9

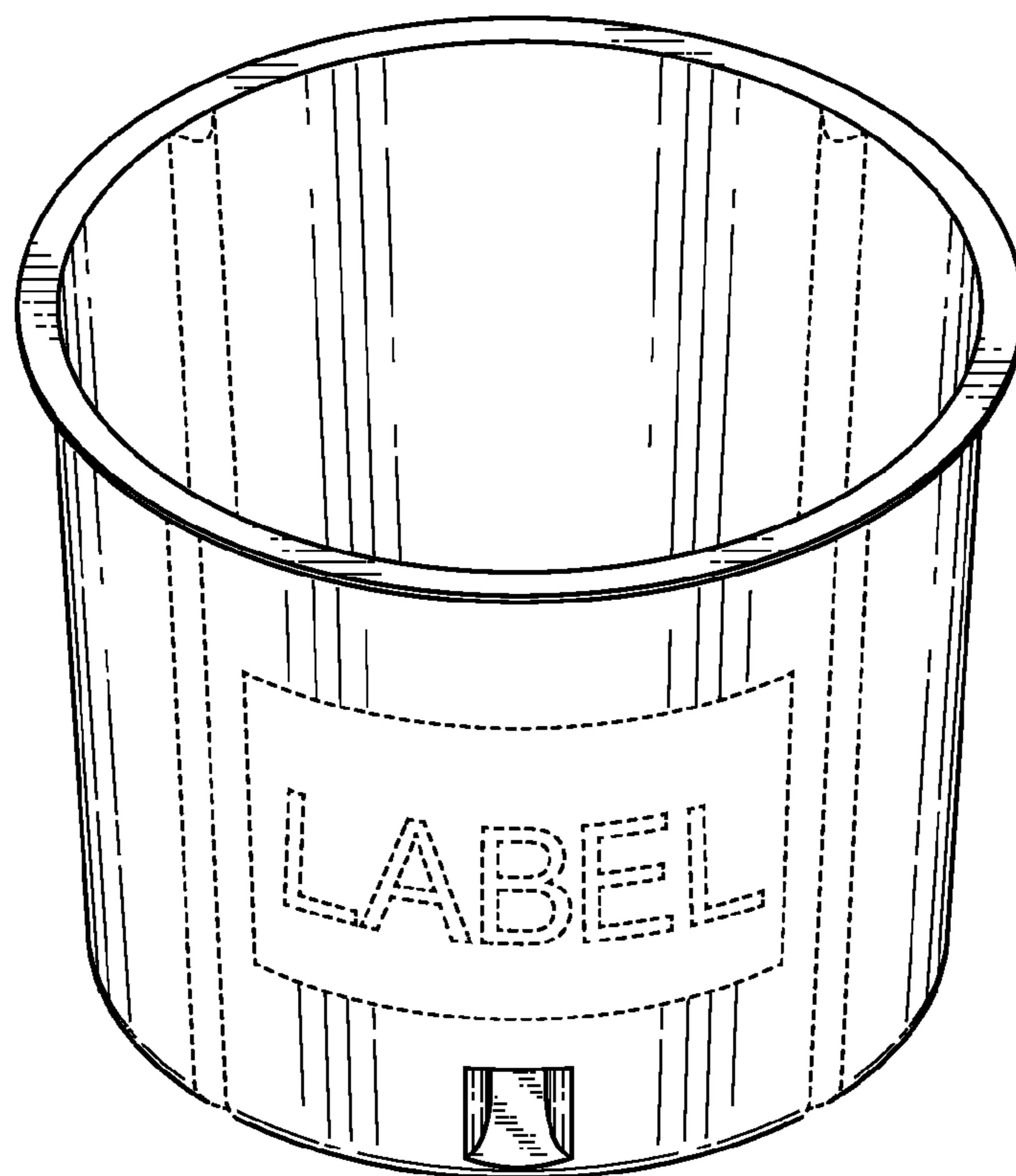


FIG. 10

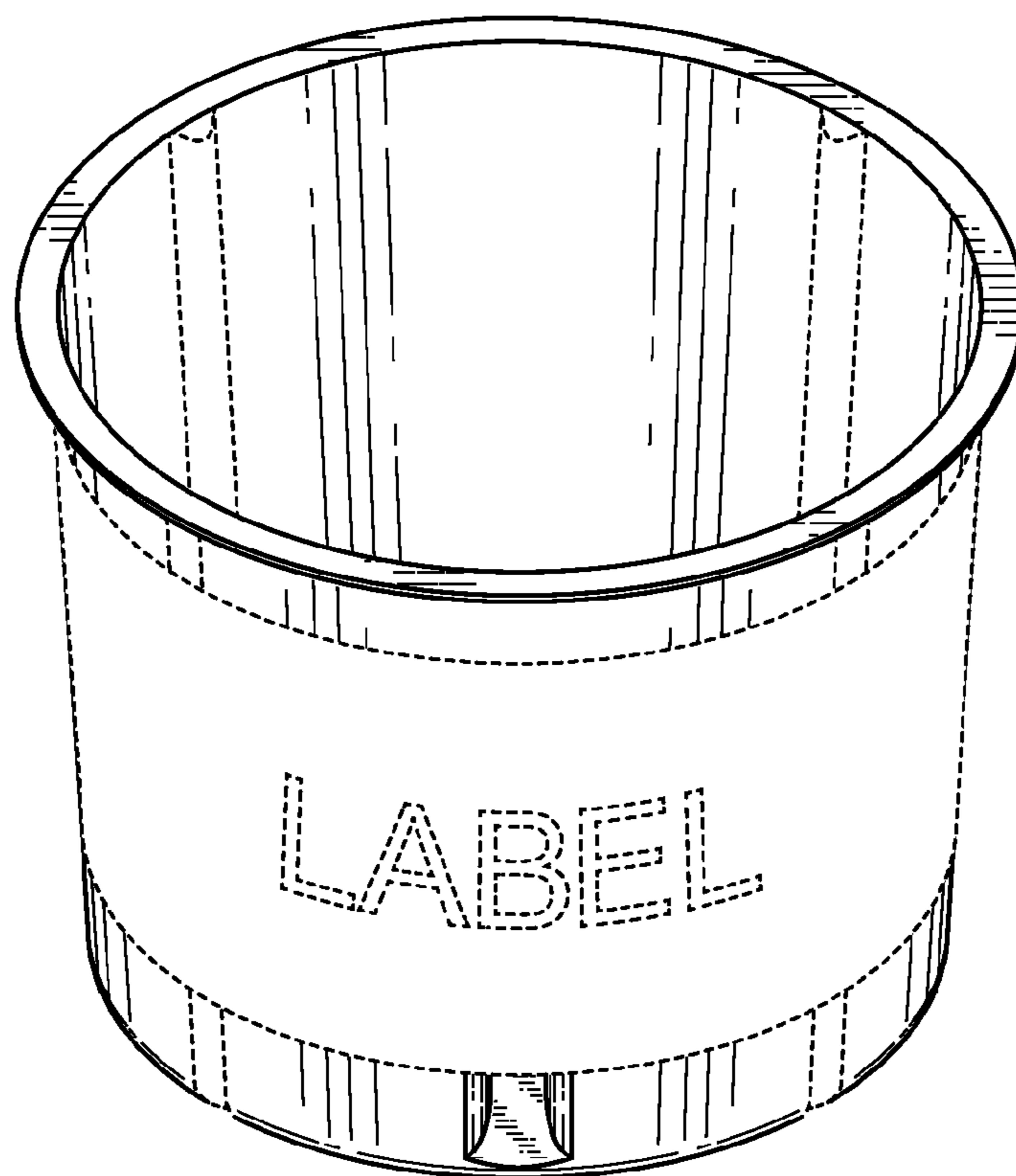


FIG. 11

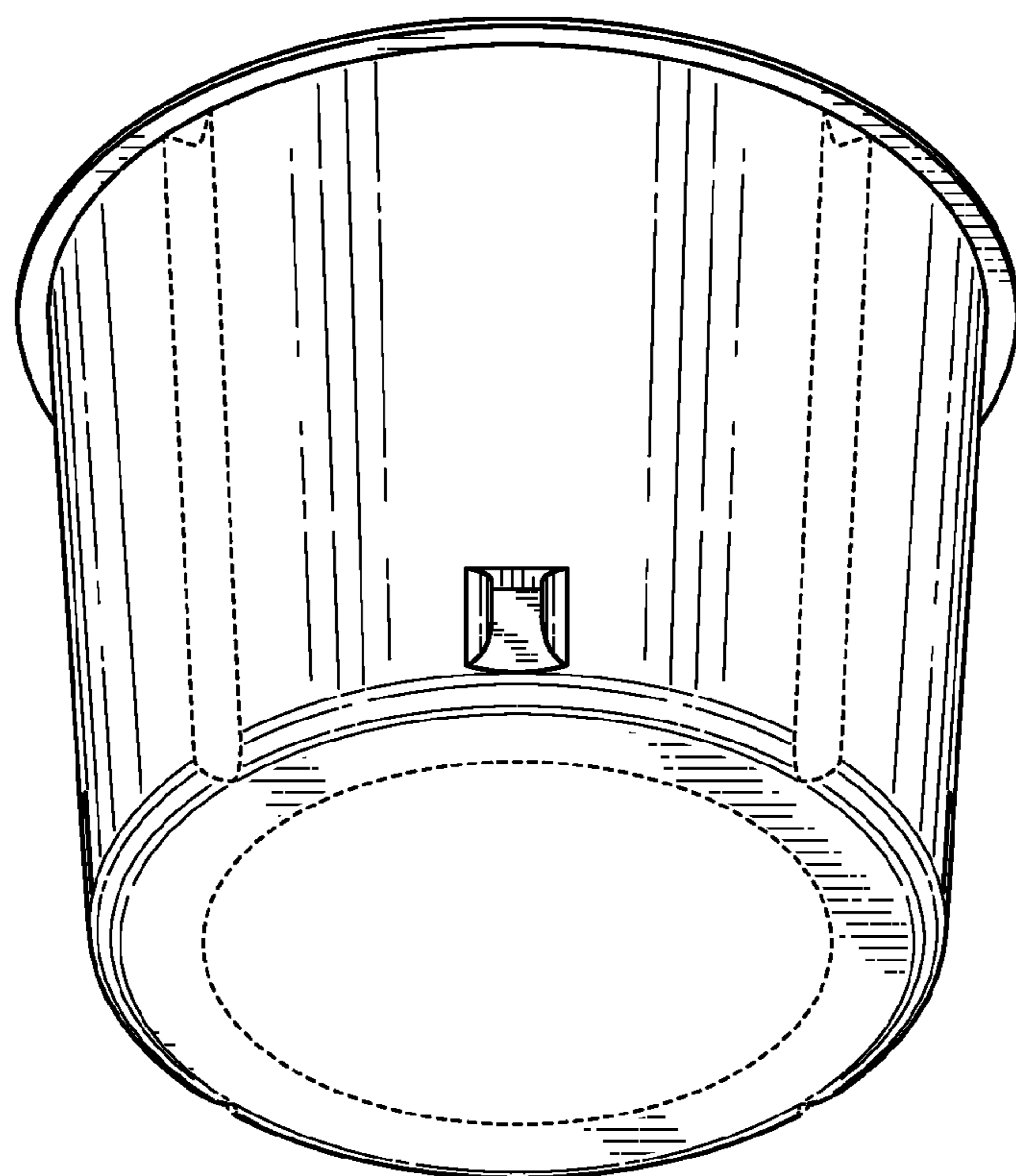


FIG. 12

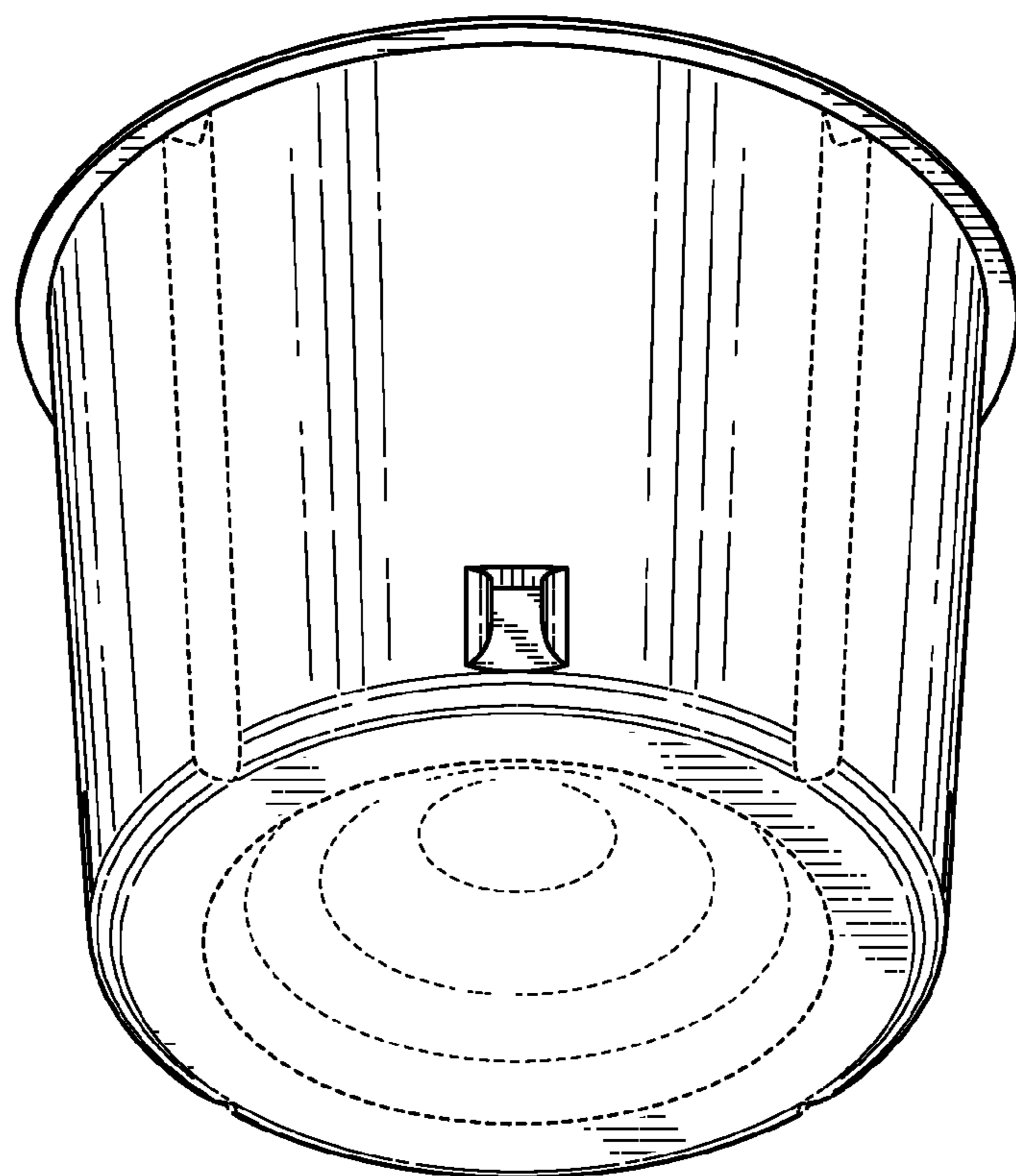


FIG. 13