



US00D648207S

(12) **United States Design Patent**  
**Johnson**

(10) **Patent No.:** **US D648,207 S**

(45) **Date of Patent:** **\*\* Nov. 8, 2011**

(54) **KEYHEAD COVER**

(75) Inventor: **Mark D. Johnson**, Hubertus, WI (US)

(73) Assignee: **Master Lock Company LLC**, Oak Creek, WI (US)

(\*\*) Term: **14 Years**

(21) Appl. No.: **29/388,446**

(22) Filed: **Mar. 29, 2011**

(51) **LOC (9) Cl.** ..... **08-07**

(52) **U.S. Cl.** ..... **D8/347**

(58) **Field of Classification Search** ..... D8/347,  
D8/348, 330; 70/51, 393, 401, 405-408,  
70/450, 336, 345, 346, 265, 371, 271, 423-430  
See application file for complete search history.

(56) **References Cited**

**U.S. PATENT DOCUMENTS**

4,417,410	A *	11/1983	Freedom	40/330
6,473,022	B1 *	10/2002	Wu	341/176
D486,054	S *	2/2004	Mitchell	D8/347
D517,397	S *	3/2006	Kim	D8/347
7,036,950	B1 *	5/2006	Freeman et al.	362/100
7,360,383	B1 *	4/2008	Chang	70/395

D569,227	S *	5/2008	Boenisch	D8/347
D592,935	S *	5/2009	Mesh et al.	D8/347
D619,876	S *	7/2010	Pastore	D8/347
D623,042	S *	9/2010	Ranshaw et al.	D8/347
D625,577	S *	10/2010	Bainter	D8/347

\* cited by examiner

*Primary Examiner* — Prabhakar Deshmukh

(74) *Attorney, Agent, or Firm* — Calfee, Halter & Griswold LLP

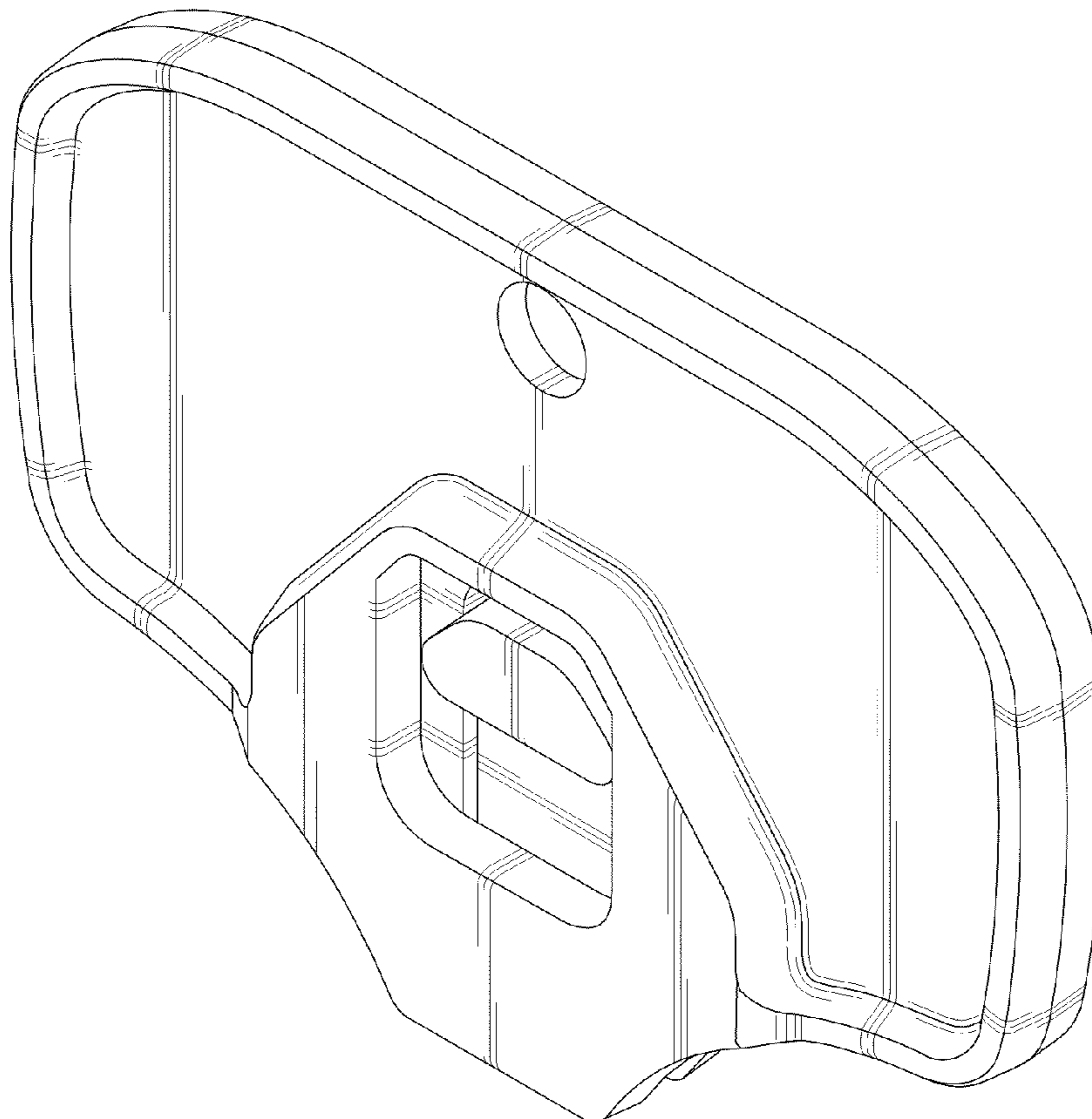
(57) **CLAIM**

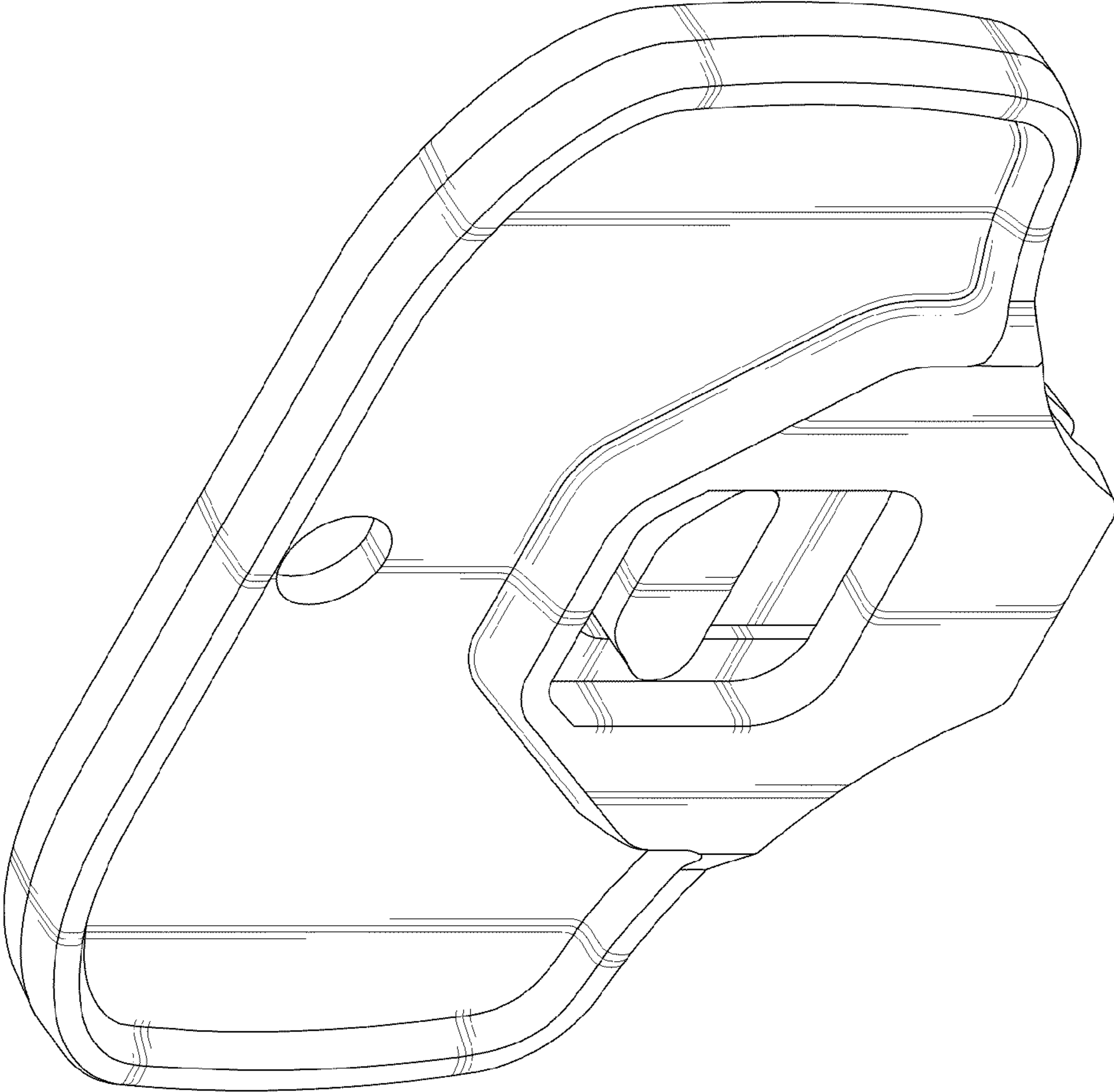
I claim the ornamental design for a keyhead cover, as shown and described.

**DESCRIPTION**

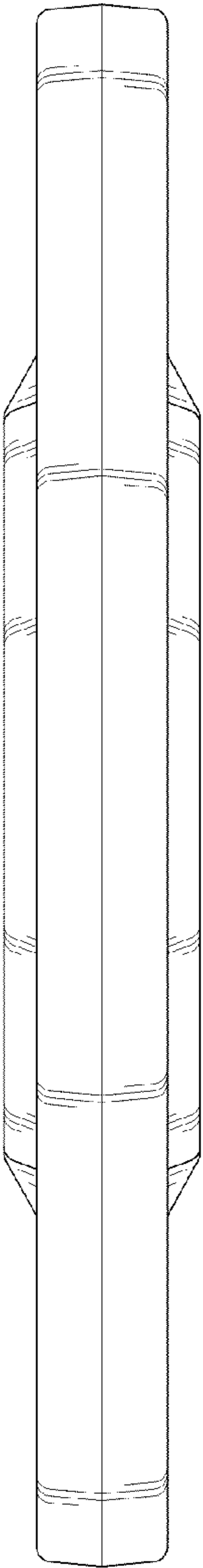
FIG. 1 is an upper right perspective view of a keyhead cover showing the new design;  
FIG. 2 is a top view of the keyhead cover of FIG. 1;  
FIG. 3 is a front view of the keyhead cover of FIG. 1;  
FIG. 4 is a rear view of the keyhead cover of FIG. 1;  
FIG. 5 is a bottom view of the keyhead cover of FIG. 1;  
FIG. 6 is a left side view of the keyhead cover of FIG. 1; and,  
FIG. 7 is a right side view of the keyhead cover of FIG. 1.

**1 Claim, 4 Drawing Sheets**

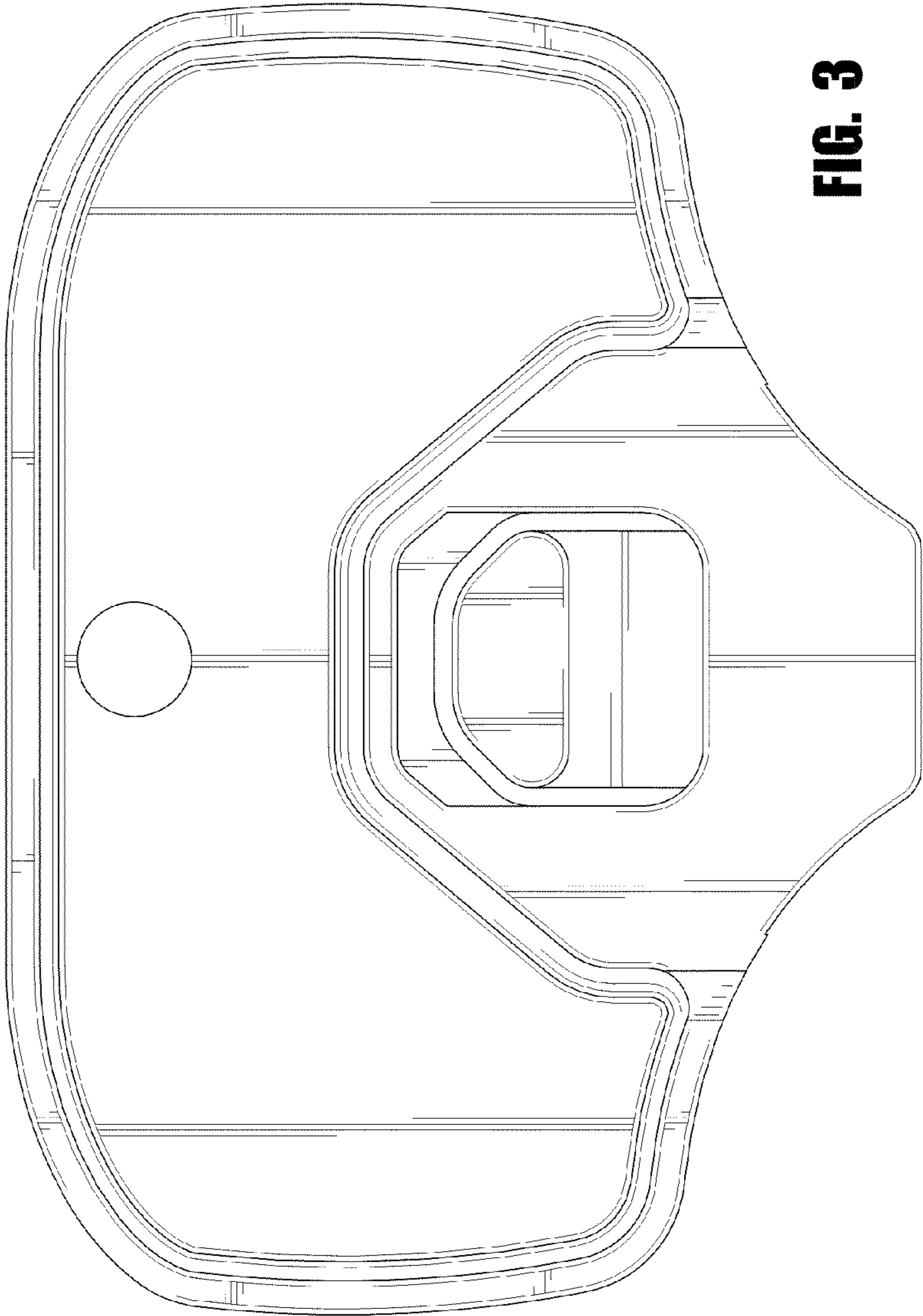




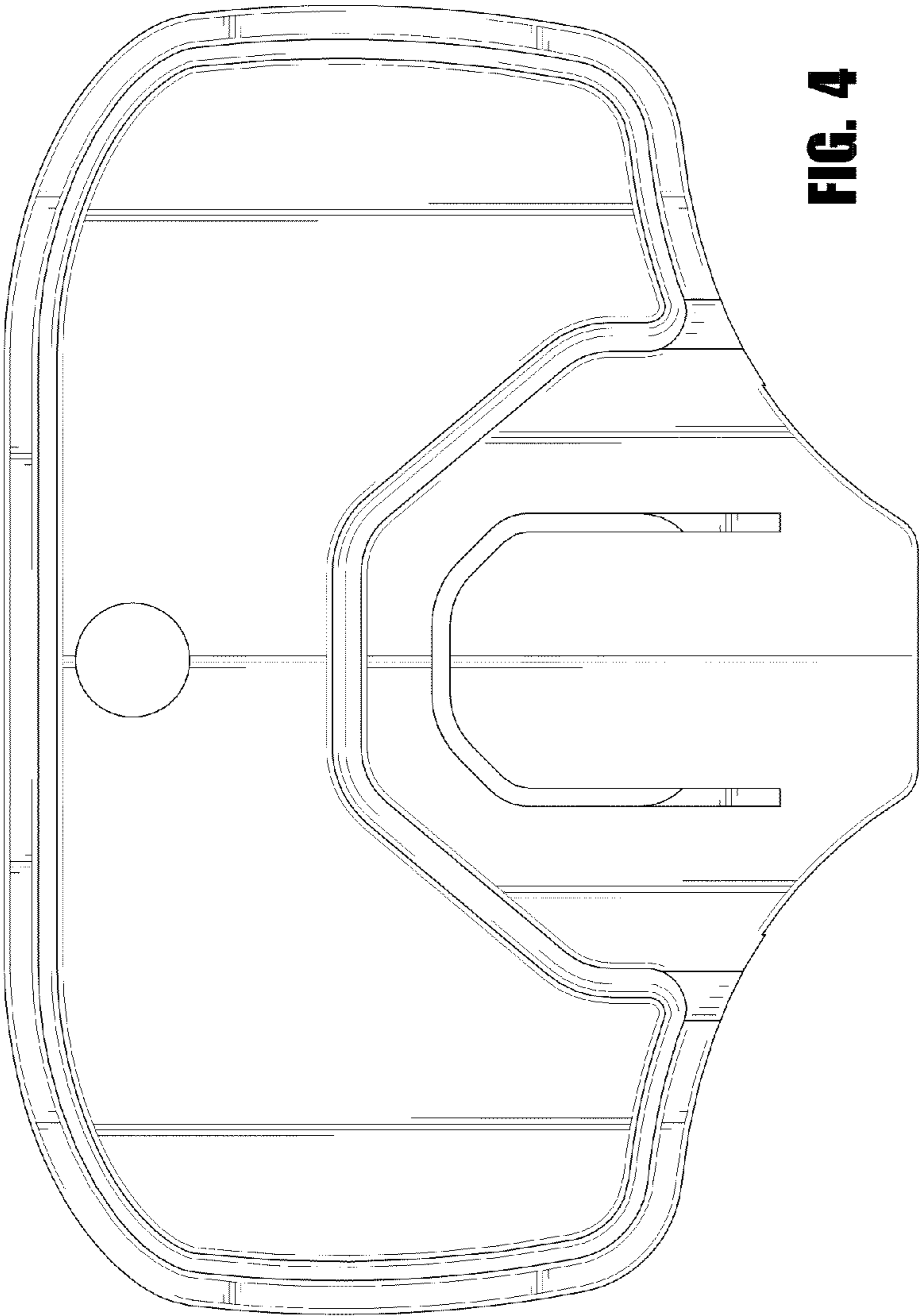
**FIG. 1**



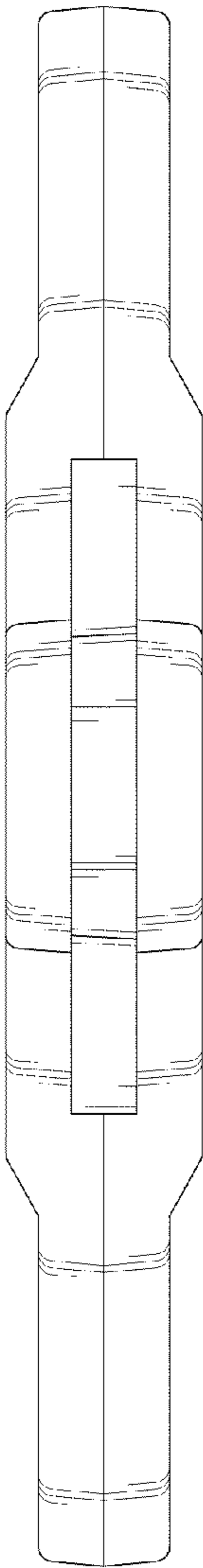
**FIG. 2**



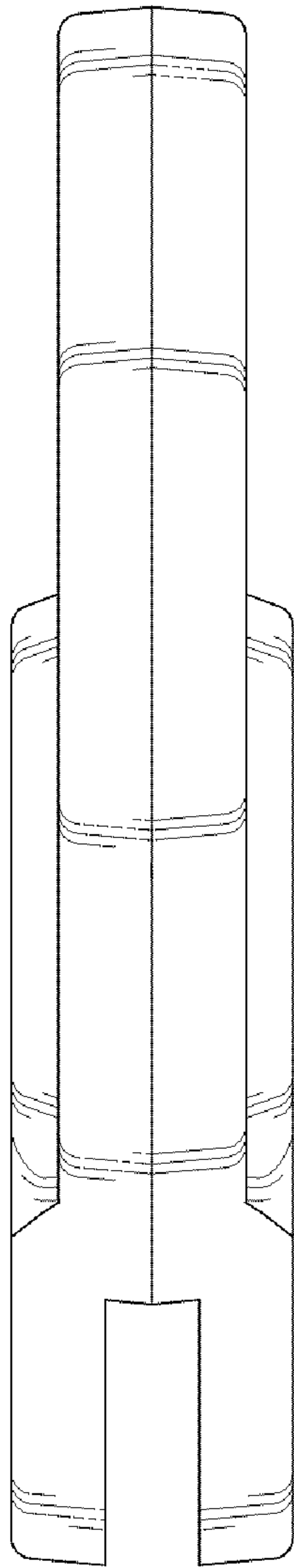
**FIG. 3**



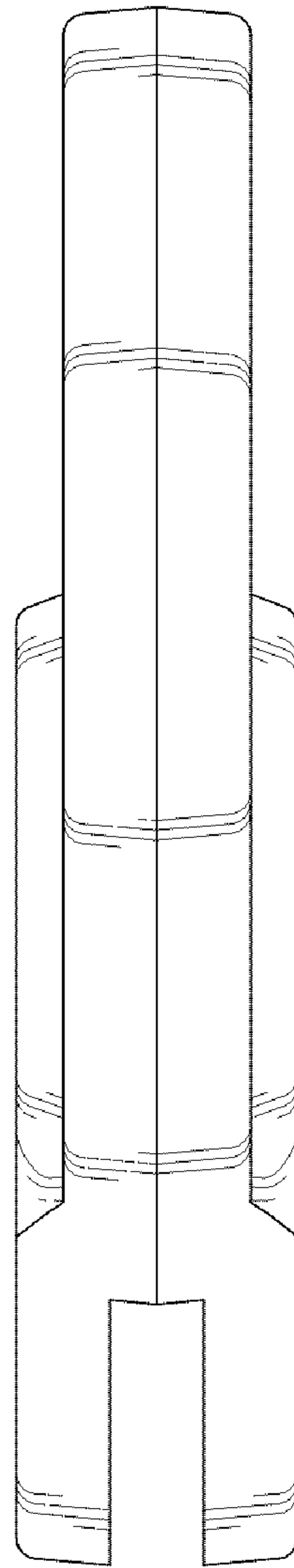
**FIG. 4**



**FIG. 5**



**FIG. 6**



**FIG. 7**