

US00D648201S

(12) **United States Design Patent**
Cortez-Sanchez

(10) **Patent No.:** **US D648,201 S**

(45) **Date of Patent:** **** Nov. 8, 2011**

(54) **HAMMER WITH MAGNETIC HANDLE FOR GRABBING NAILS**

(76) Inventor: **Alejandro Cortez-Sanchez**, Marengo, IL (US)

(**) Term: **14 Years**

(21) Appl. No.: **29/366,269**

(22) Filed: **Jul. 22, 2010**

(51) **LOC (9) Cl.** **08-02**

(52) **U.S. Cl.** **D8/75**

(58) **Field of Classification Search** D8/11,
D8/75-81, 107; 7/145; 30/308.1; 144/195.5;
81/19-24, 26, 489; 76/103

See application file for complete search history.

(56) **References Cited**

U.S. PATENT DOCUMENTS

2,385,859	A *	10/1945	Jacobson	335/285
2,846,277	A *	8/1958	Marsh	403/248
3,228,720	A *	1/1966	Jordan	294/65.5
4,753,138	A	6/1988	Soucy		
4,944,203	A	7/1990	Miller		
5,000,064	A	3/1991	McMahon		
5,119,521	A *	6/1992	Clontz	7/164
D402,175	S	12/1998	Sellers		
D410,184	S *	5/1999	Bulcock	D8/75

6,062,108	A	5/2000	Rosero		
6,122,788	A *	9/2000	Bulcock	7/146
7,013,516	B1 *	3/2006	Peters	7/146
D518,684	S *	4/2006	Kushner	D7/507
D611,796	S *	3/2010	Davidson	D8/75
2004/0088824	A1	5/2004	Hsien		

* cited by examiner

Primary Examiner — Susan E Krakower

Assistant Examiner — Roselyne Cody

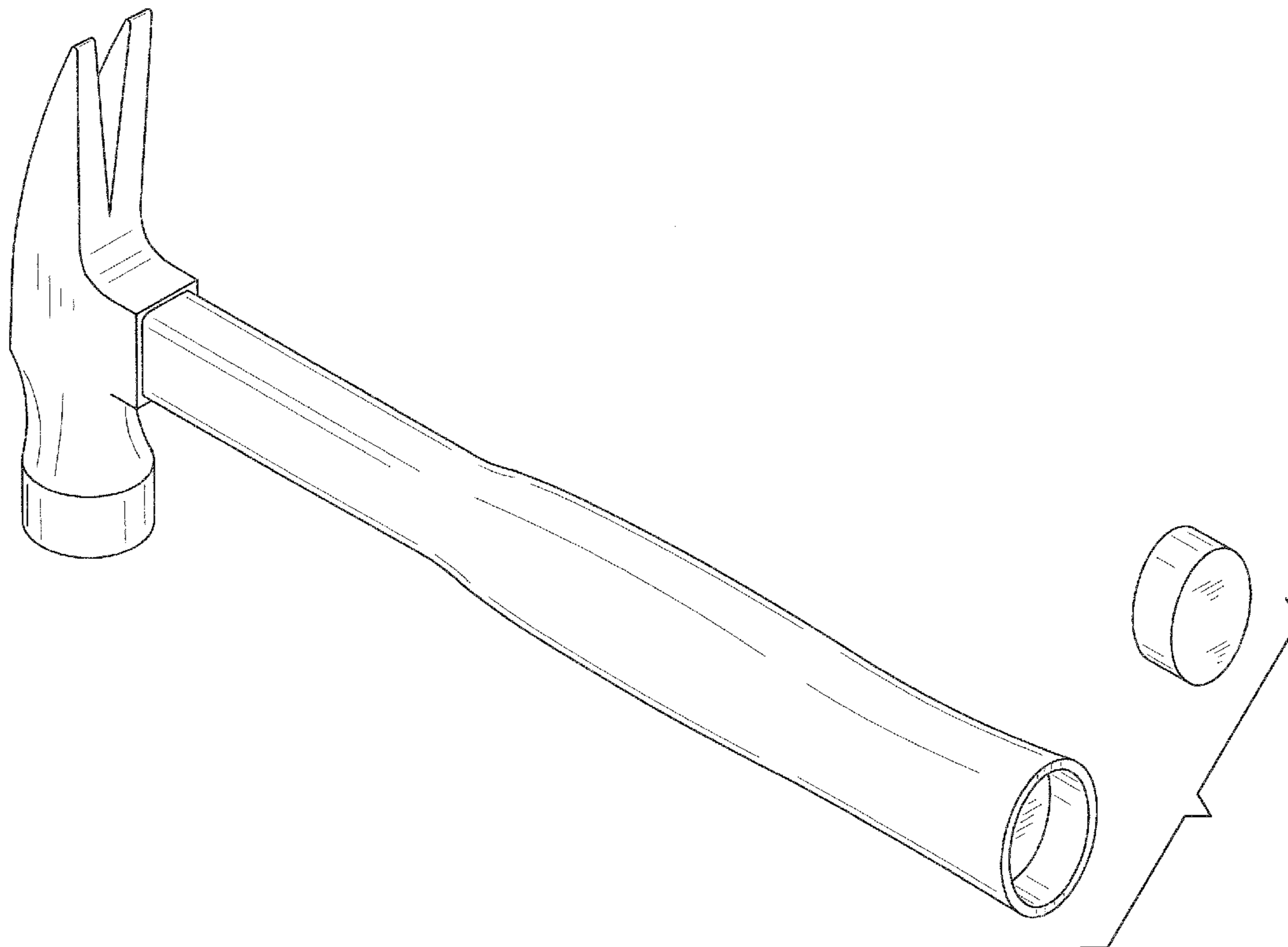
(57) **CLAIM**

The ornamental design for a hammer with magnetic handle for grabbing nails, as shown and described.

DESCRIPTION

FIG. 1 is a perspective view of a hammer with magnetic handle for grabbing nails showing my new design, the cylindrical magnet disk is shown outside the hammer handle slot; FIG. 2 is a side view (opposite side is mirror image) thereof; FIG. 3 is a top view thereof; FIG. 4 is a bottom view thereof; FIG. 5 is a back view thereof; FIG. 6 is a front view thereof; and, FIG. 7 is a perspective view of the hammer with magnetic handle for grabbing nails, the cylindrical magnet disk is shown inside the hammer handle slot.

1 Claim, 5 Drawing Sheets



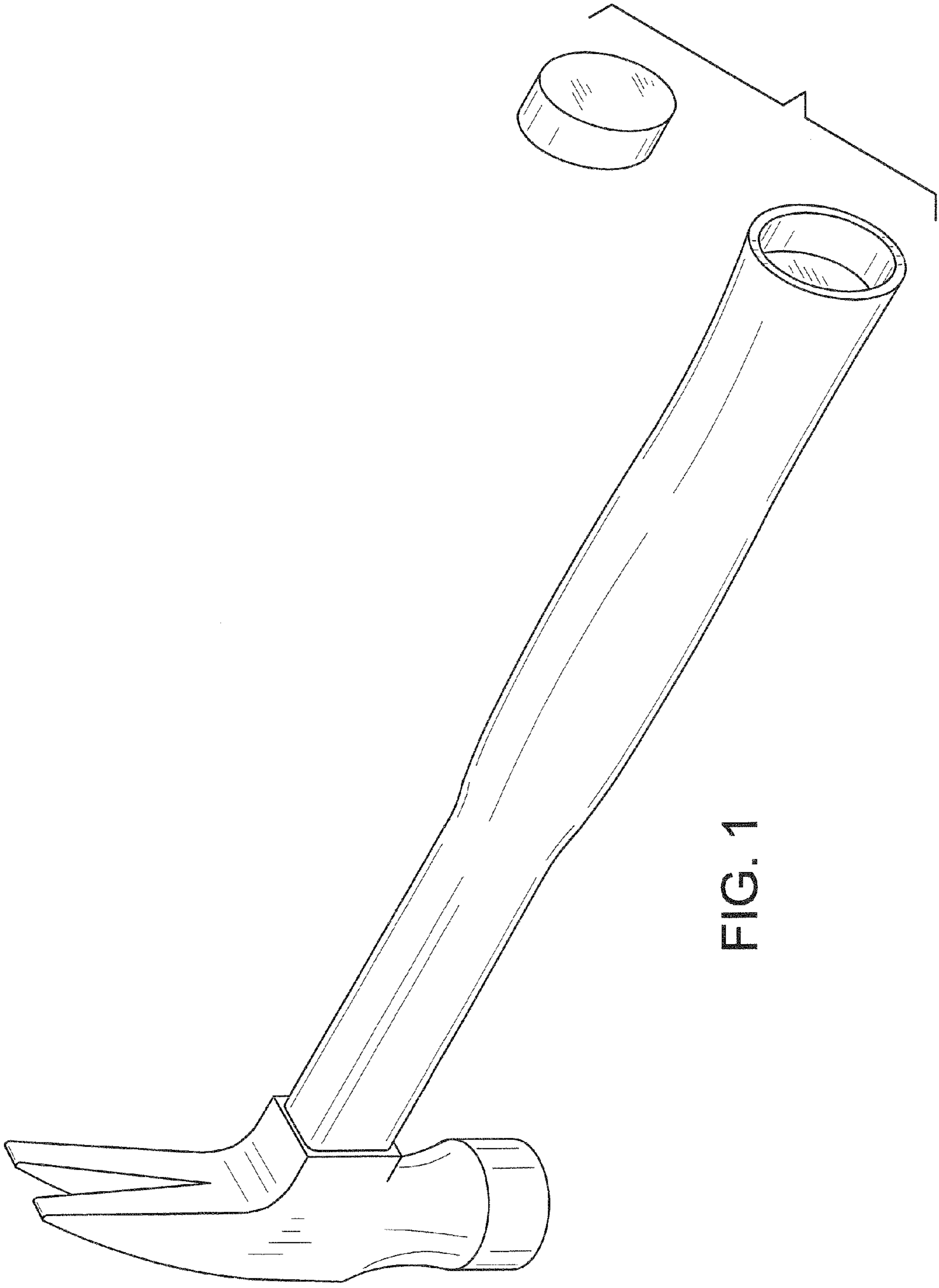


FIG. 1

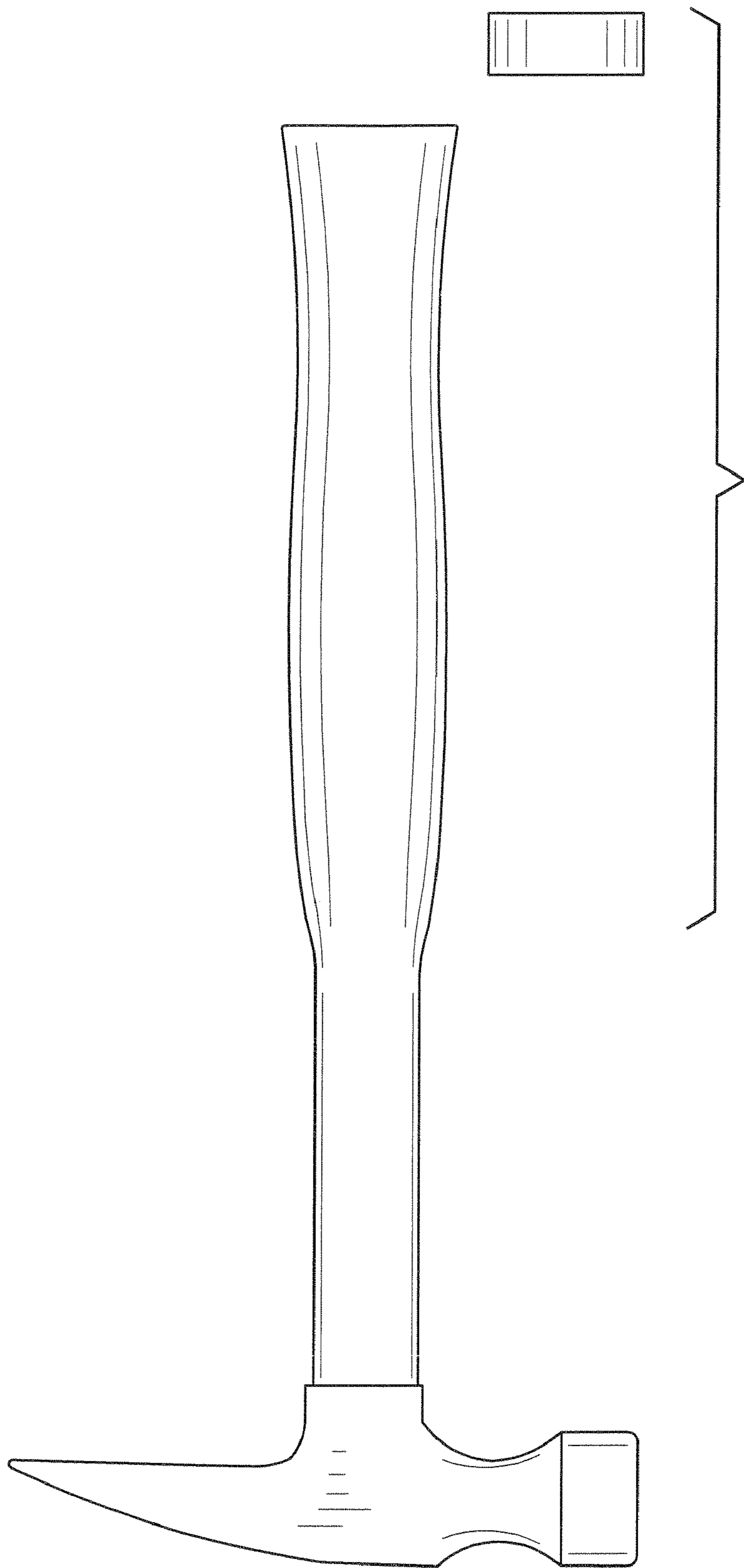


FIG. 2

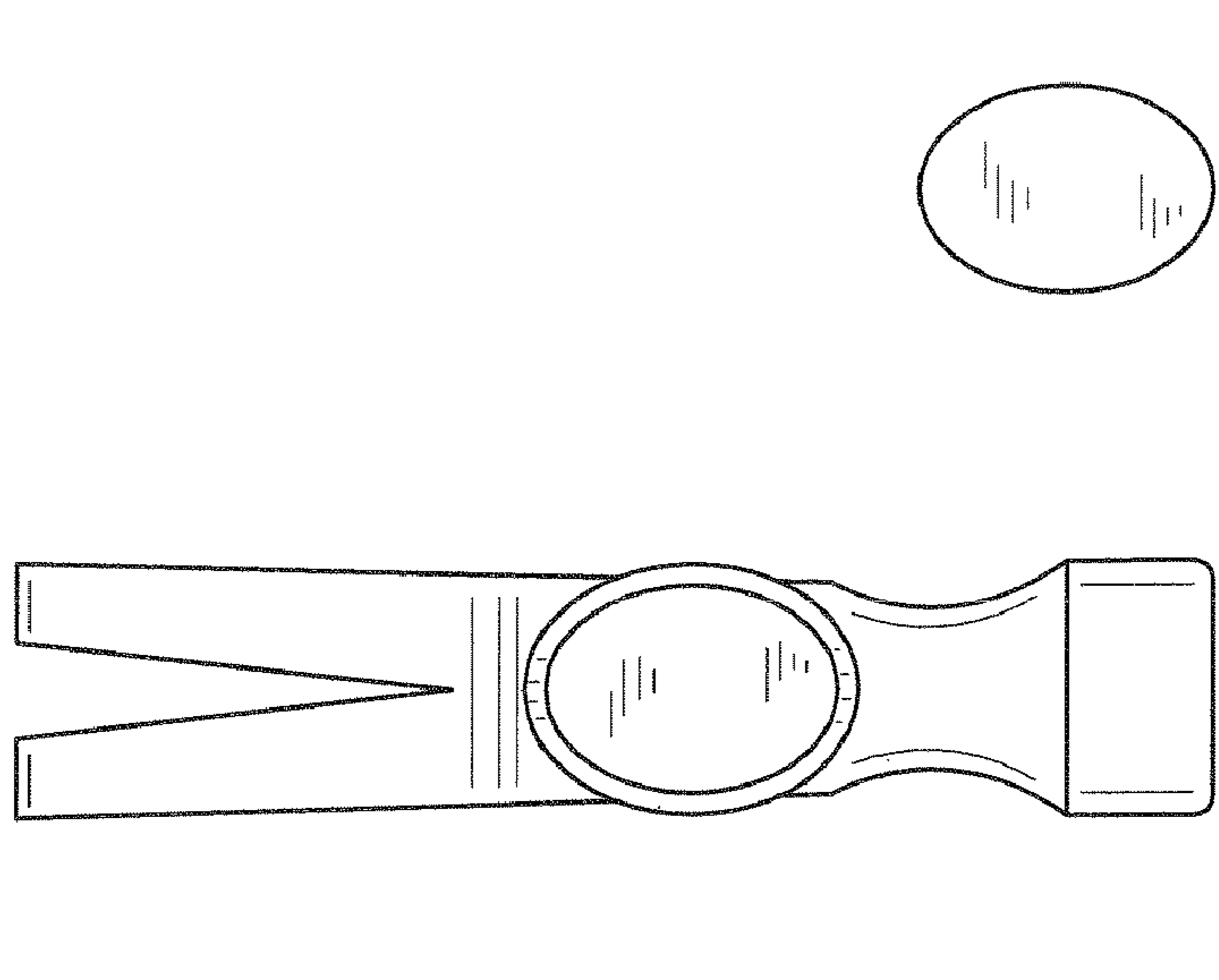


FIG. 3

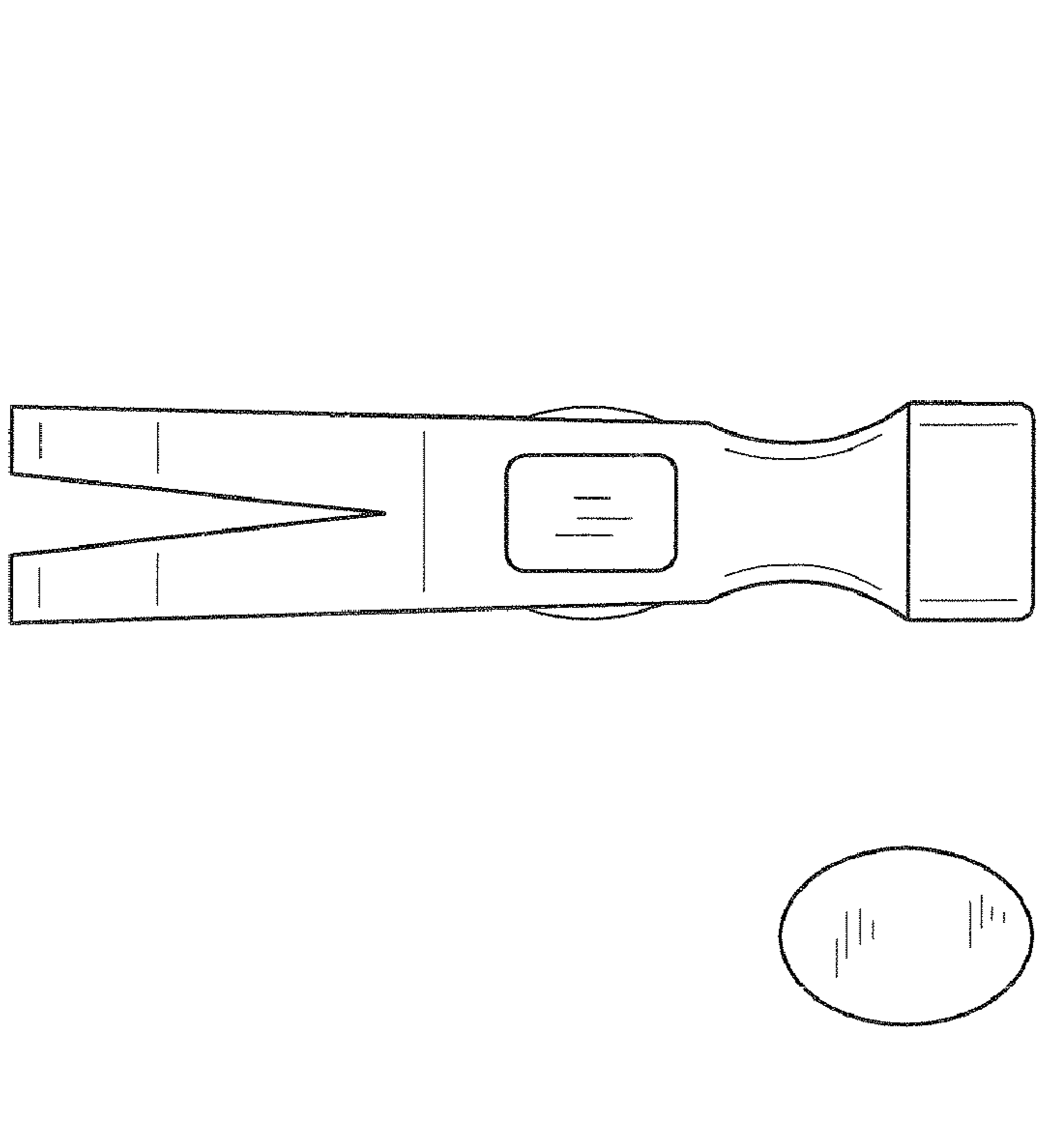


FIG. 4

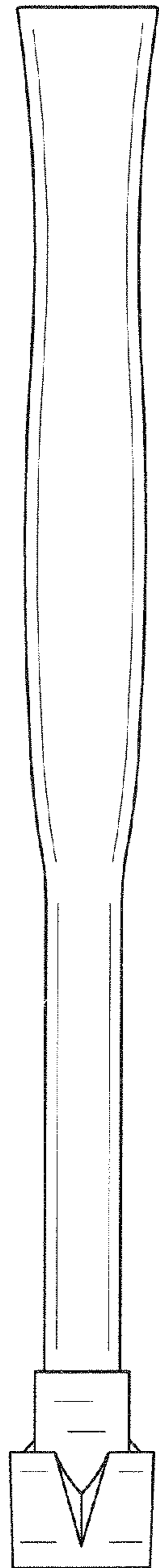


FIG. 5

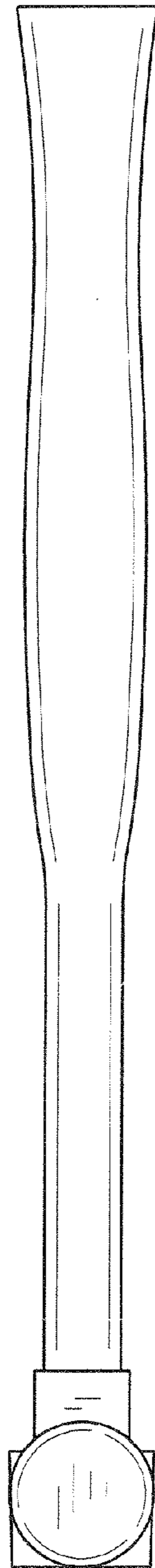


FIG. 6

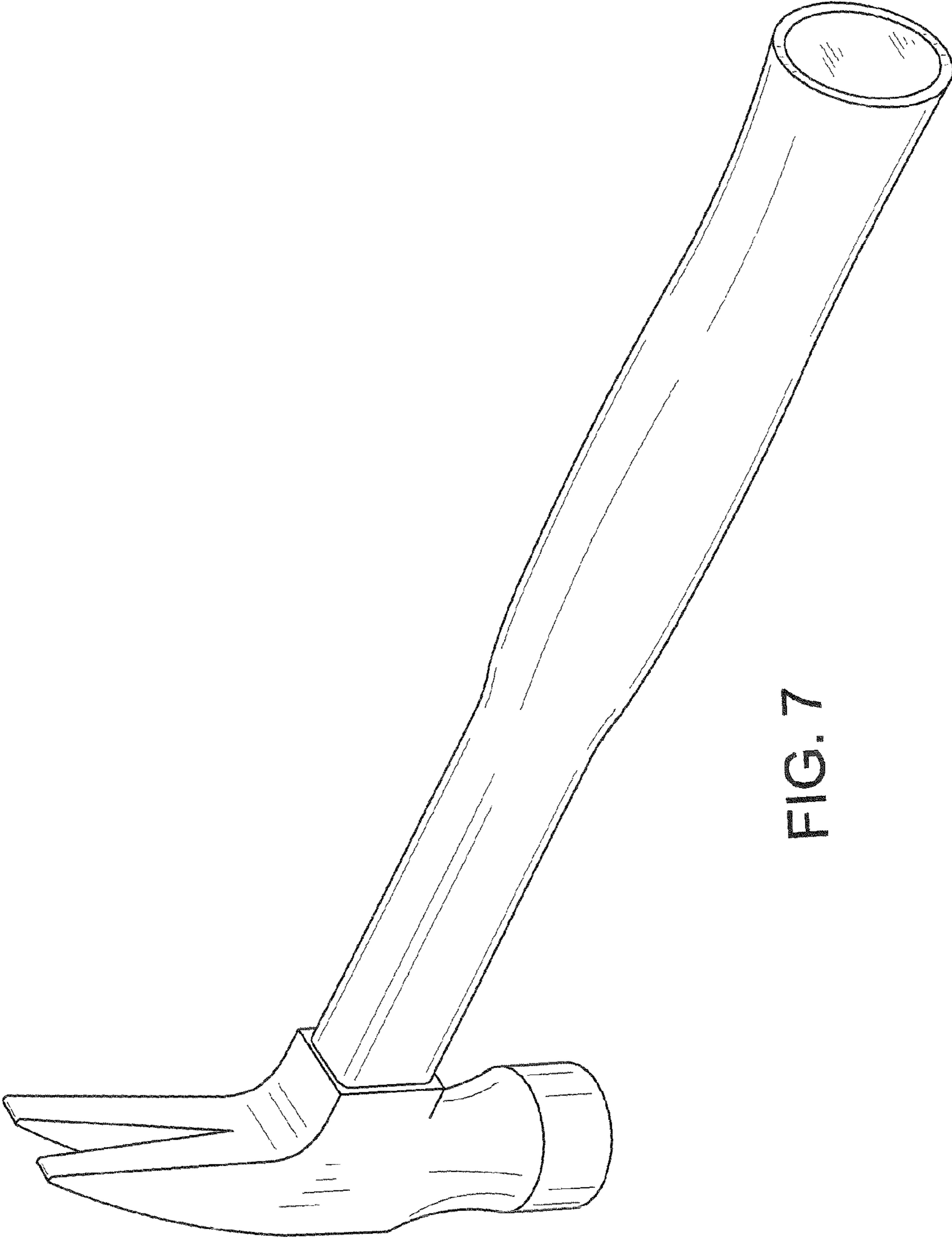


FIG. 7