



US00D648199S

(12) **United States Design Patent**
Yamamoto

(10) **Patent No.:** **US D648,199 S**

(45) **Date of Patent:** **** Nov. 8, 2011**

(54) **PORTABLE ELECTRIC CIRCULAR SAW**

(75) Inventor: **Yuji Yamamoto**, Anjo (JP)

(73) Assignee: **Makita Corporation**, Anjo-shi (JP)

(**) Term: **14 Years**

(21) Appl. No.: **29/360,917**

(22) Filed: **May 3, 2010**

(30) **Foreign Application Priority Data**

Jan. 15, 2010 (JP) 2010-848

(51) **LOC (9) Cl.** **08-03**

(52) **U.S. Cl.** **D8/64**

(58) **Field of Classification Search** D8/69,
D8/68, 67, 66, 64, 61, 70; 83/698.41, 747,
83/166.3, 374, 373, 375, 376, 391, 377, 390,
83/388, 389; 125/13.01; 144/218
See application file for complete search history.

(56) **References Cited**

U.S. PATENT DOCUMENTS

D521,836 S *	5/2006	Hastie	D8/66
D522,831 S *	6/2006	Andriolo	D8/66
D522,832 S *	6/2006	Hastie	D8/66
D522,833 S *	6/2006	Kokawa	D8/66
D525,503 S *	7/2006	Waldron	D8/66
D525,504 S *	7/2006	Corcoran	D8/66
D527,599 S *	9/2006	Ng	D8/66

D531,473 S *	11/2006	Lopano	D8/66
D538,124 S	3/2007	Yamamoto et al.	
D552,953 S *	10/2007	Jones	D8/66
D554,462 S *	11/2007	Zhang	D8/66
D555,450 S *	11/2007	Van Wambeke	D8/66
D559,644 S *	1/2008	Kuroyanagi et al.	D8/66
D559,645 S *	1/2008	Okuda et al.	D8/66
D567,612 S *	4/2008	Wright et al.	D8/66
D568,705 S *	5/2008	Lopano et al.	D8/66
D578,853 S *	10/2008	Gallagher et al.	D8/66
7,526,866 B2 *	5/2009	Schnell et al.	30/124

* cited by examiner

Primary Examiner — Austin Murphy

(74) *Attorney, Agent, or Firm* — Oliff & Berridge, PLC

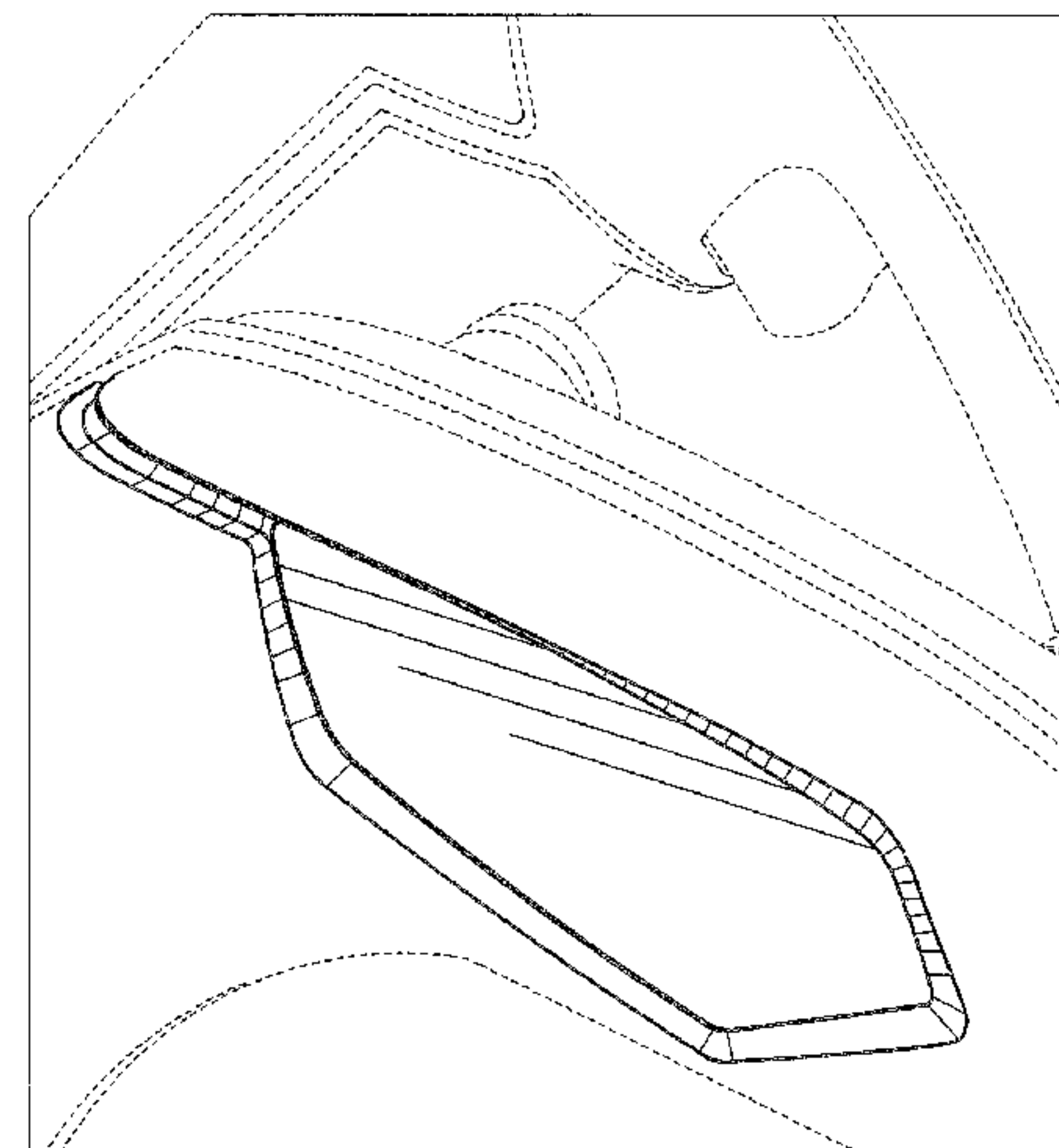
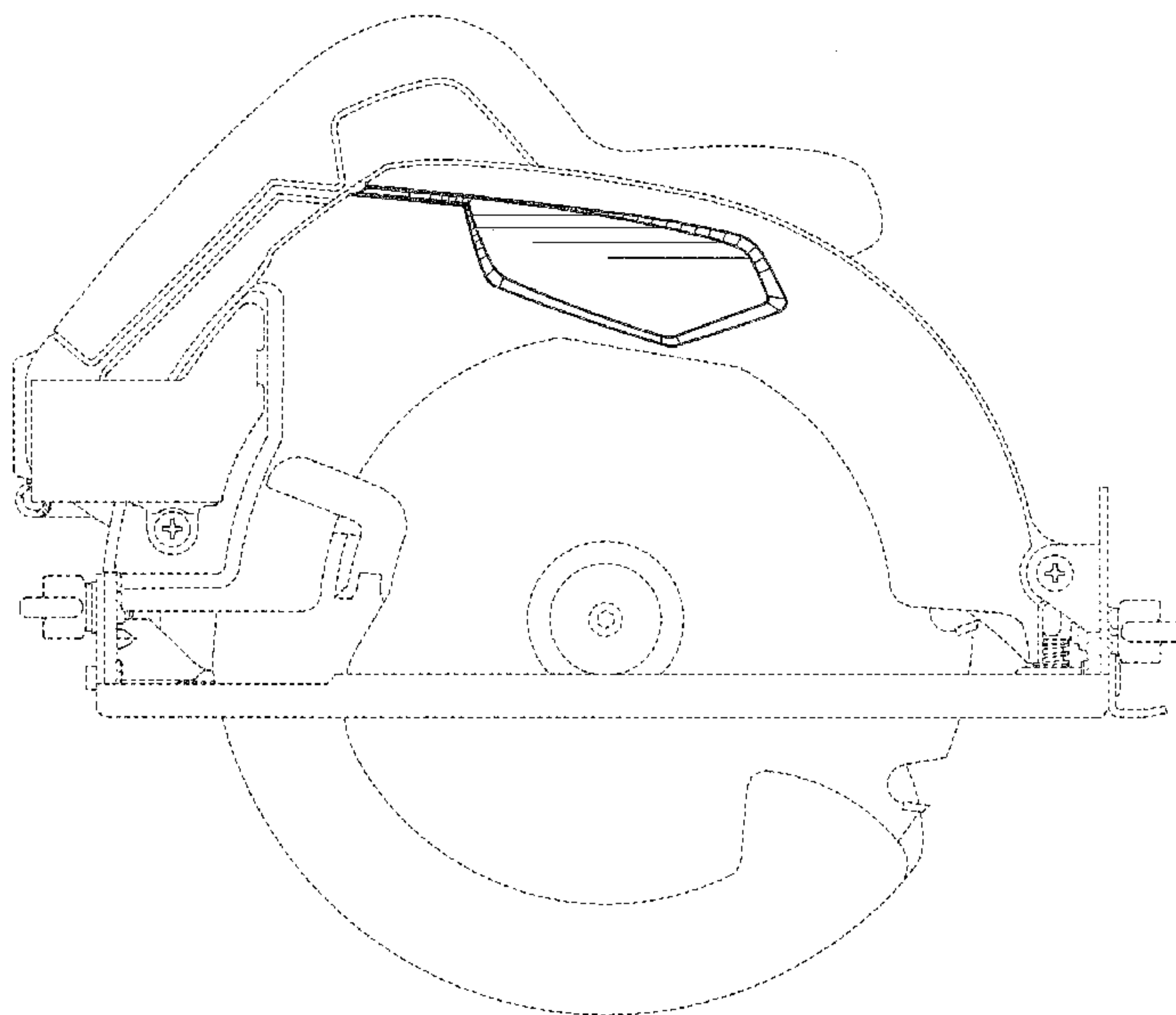
(57) **CLAIM**

The ornamental design for a portable electric circular saw, as shown and described.

DESCRIPTION

FIG. 1 is a perspective view of a portable electric circular saw showing our new design;
FIG. 2 is a front elevation view thereof;
FIG. 3 is a rear elevation view thereof;
FIG. 4 is a left side elevation view thereof;
FIG. 5 is a right side elevation view thereof;
FIG. 6 is a top plan view thereof,
FIG. 7 is a bottom plan view thereof; and,
FIG. 8 is a partially enlarged view thereof taken along lines A-A, B-B, C-C and D-D in FIG. 1.

1 Claim, 8 Drawing Sheets



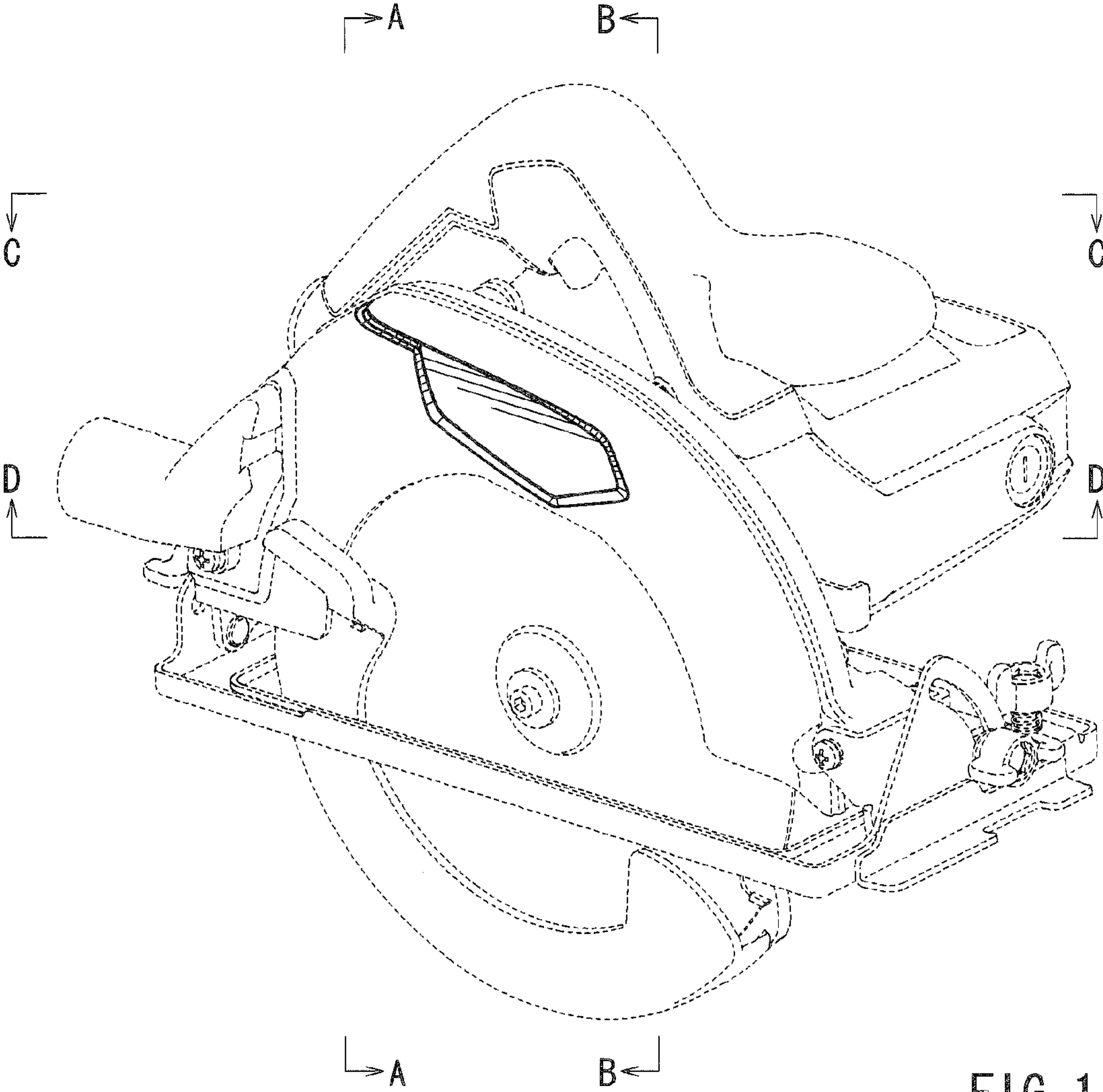


FIG. 1

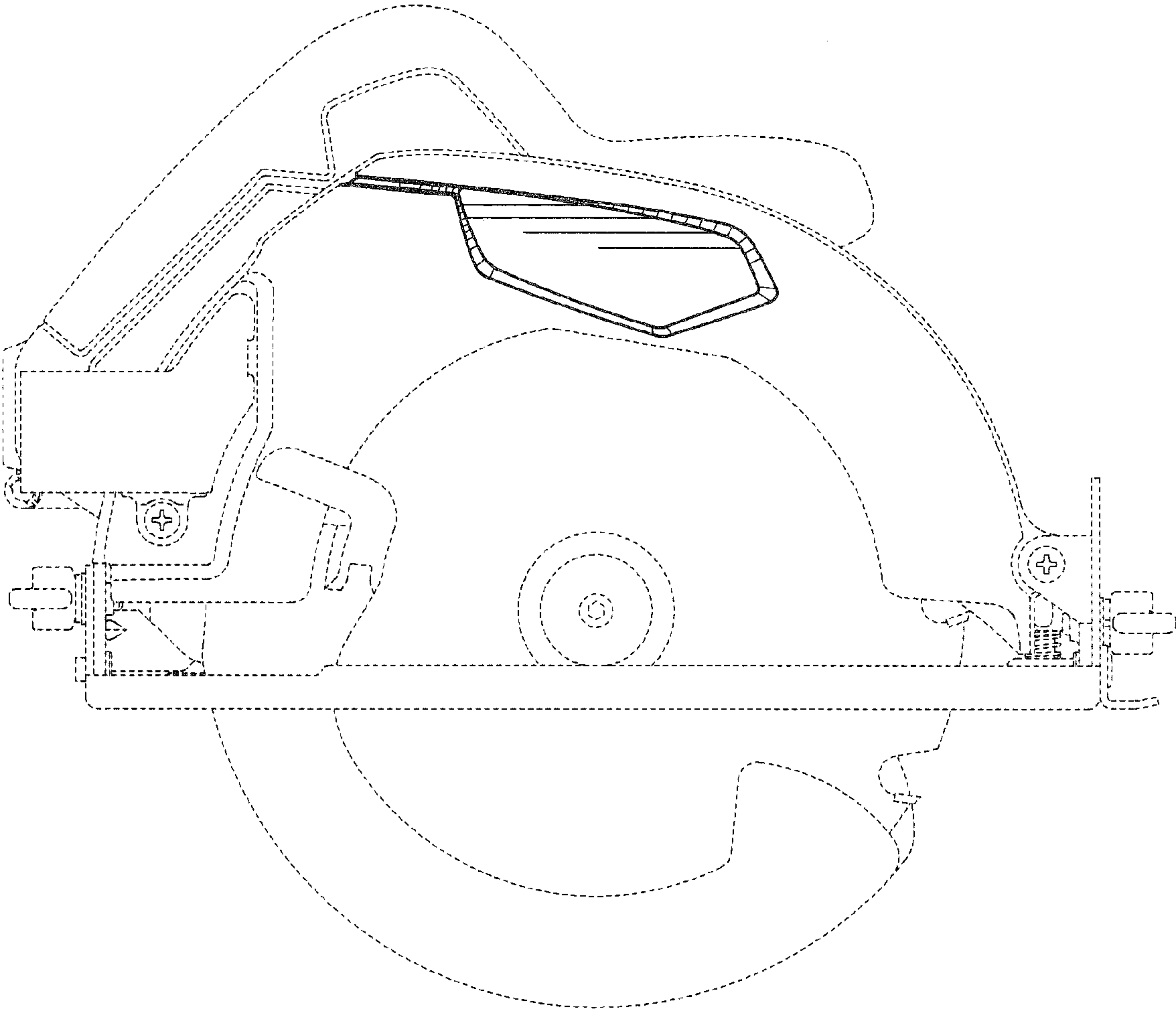


FIG. 2

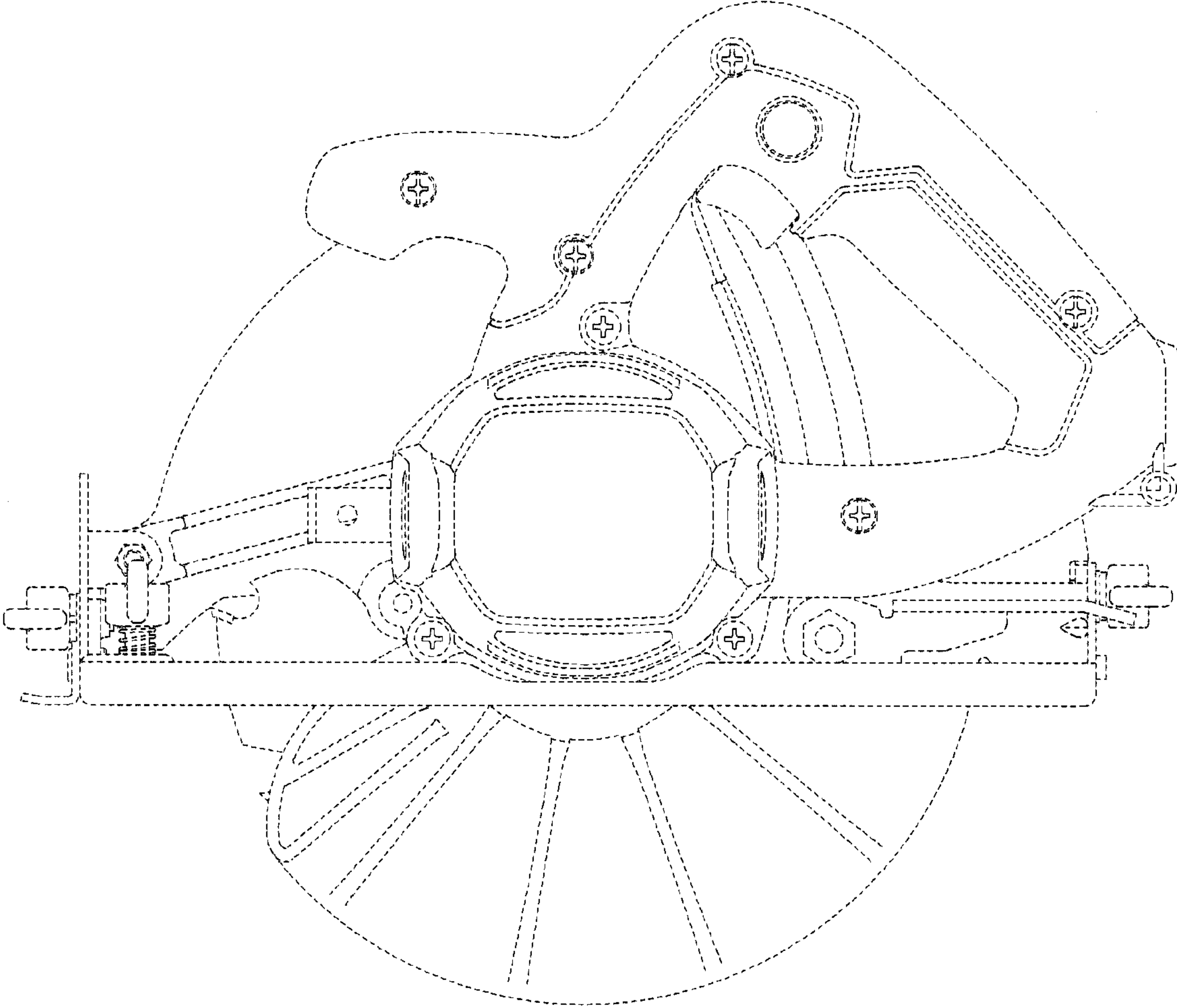


FIG. 3

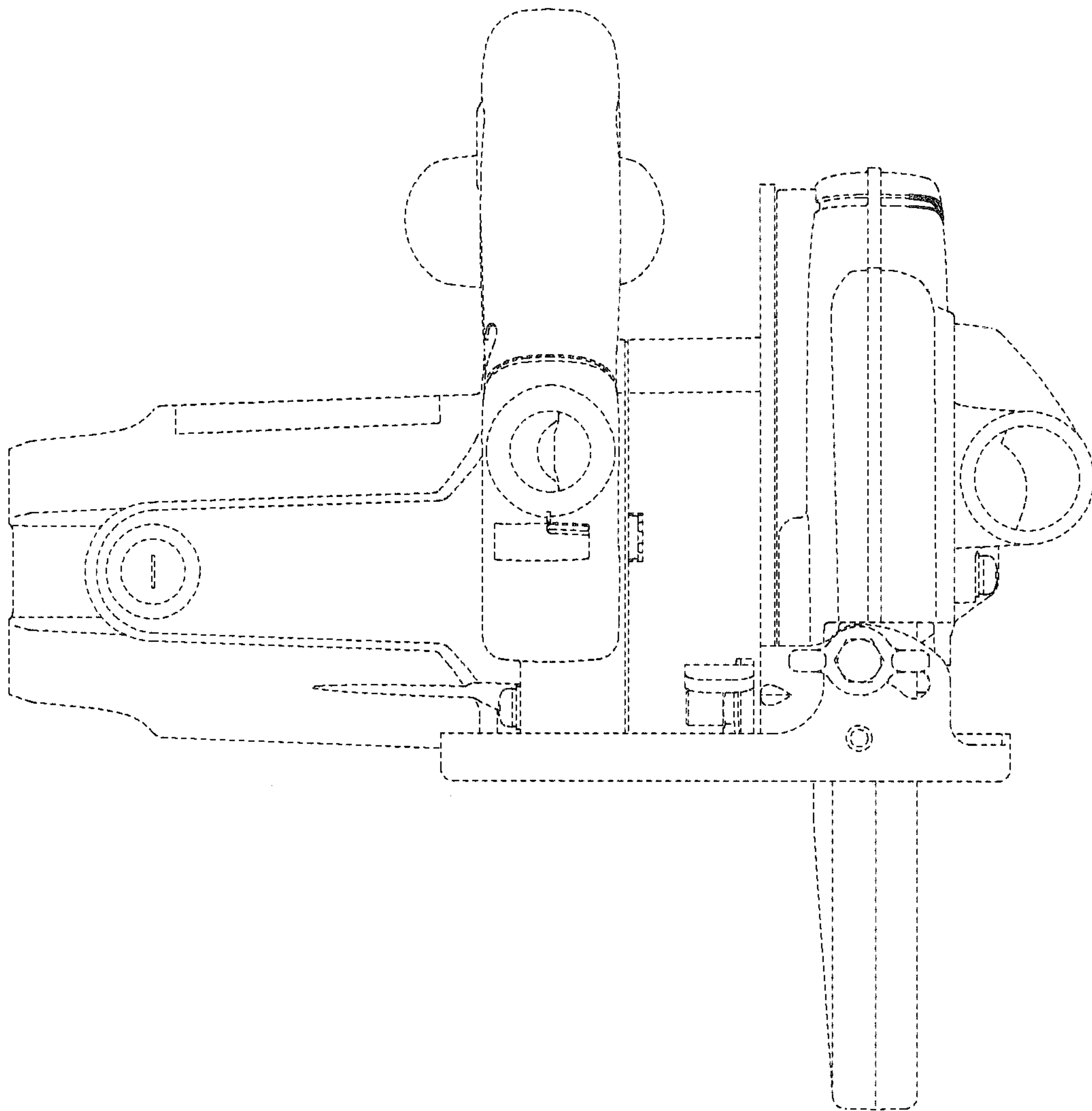


FIG. 4

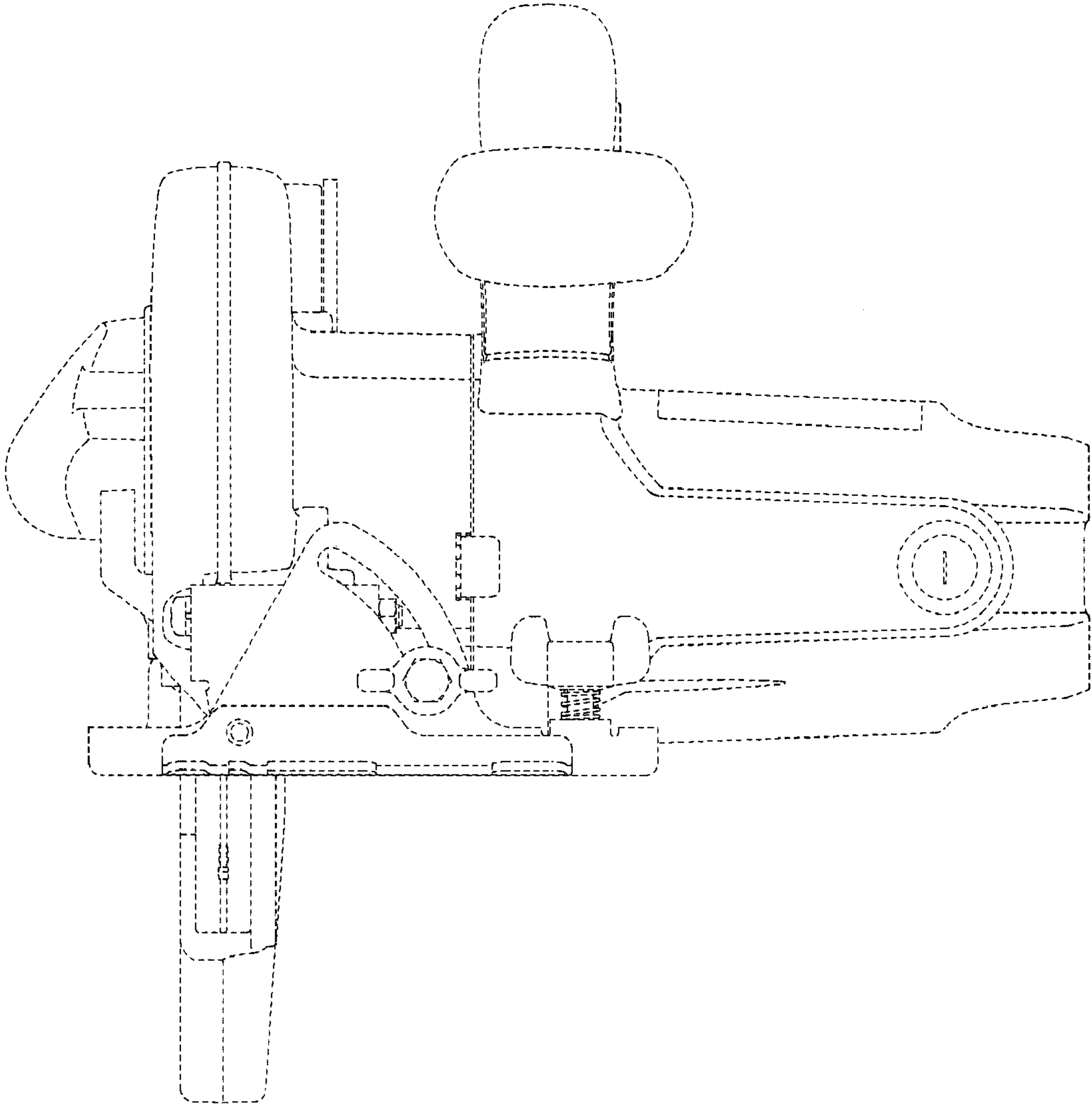


FIG. 5

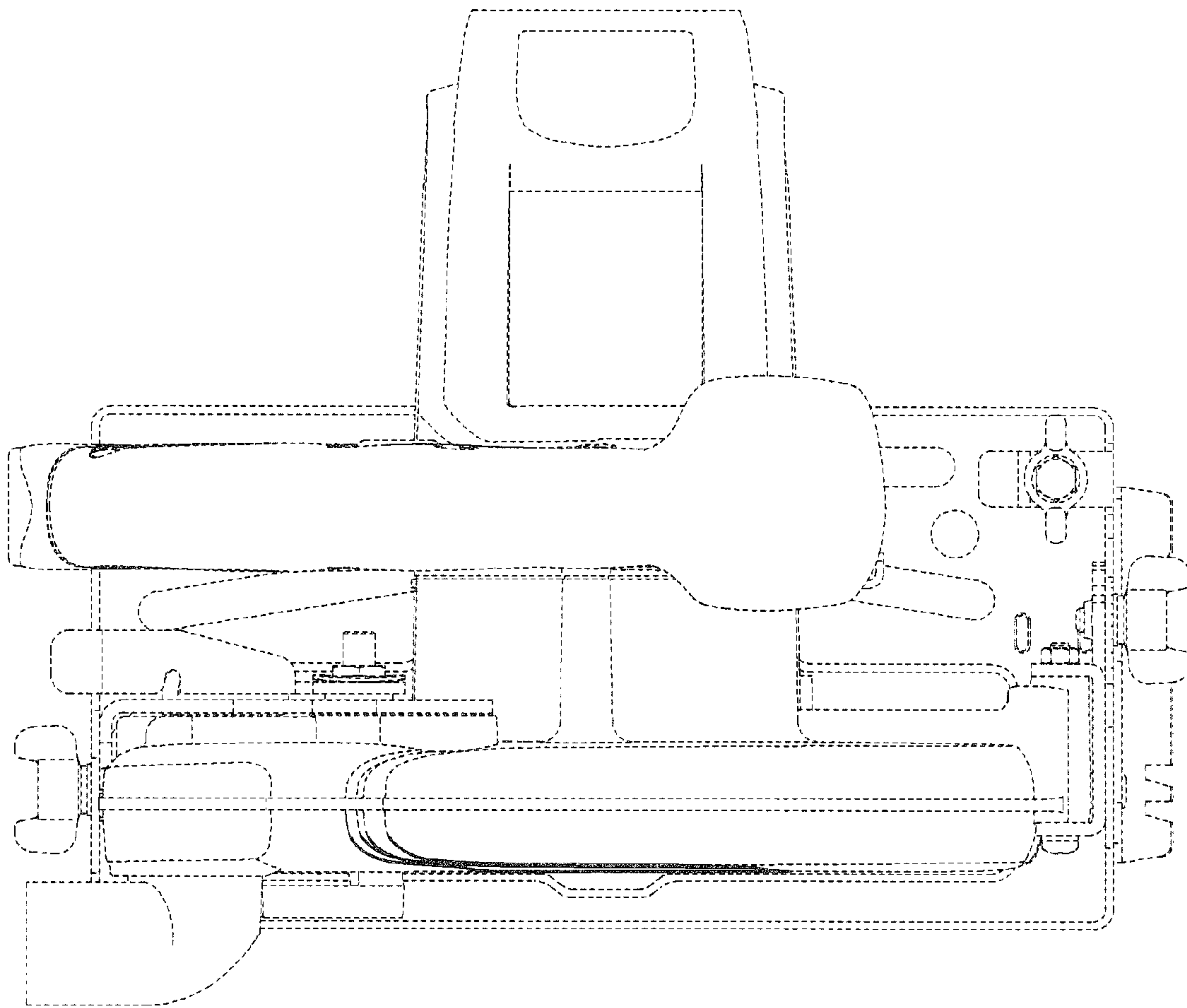


FIG. 6

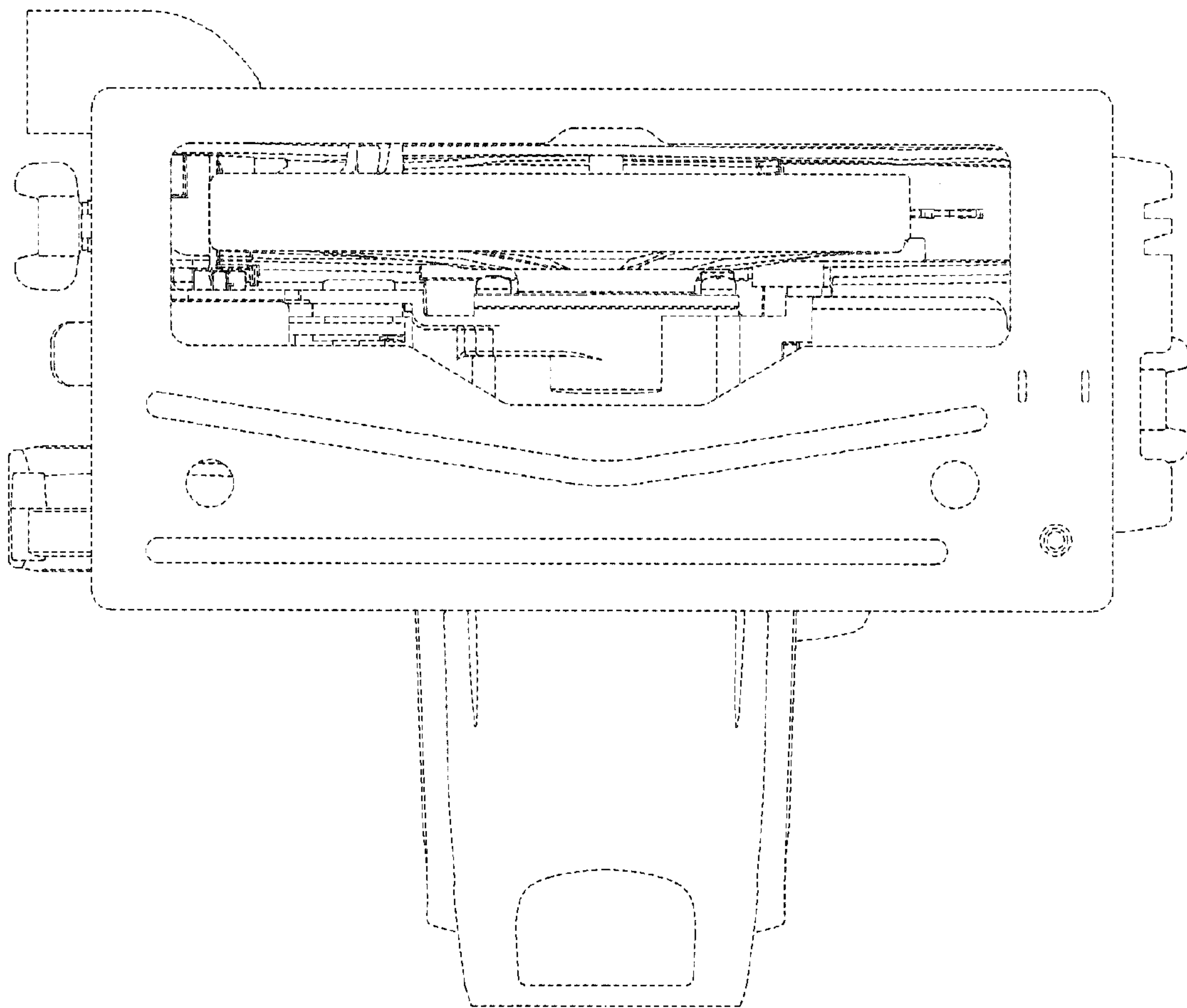


FIG. 7

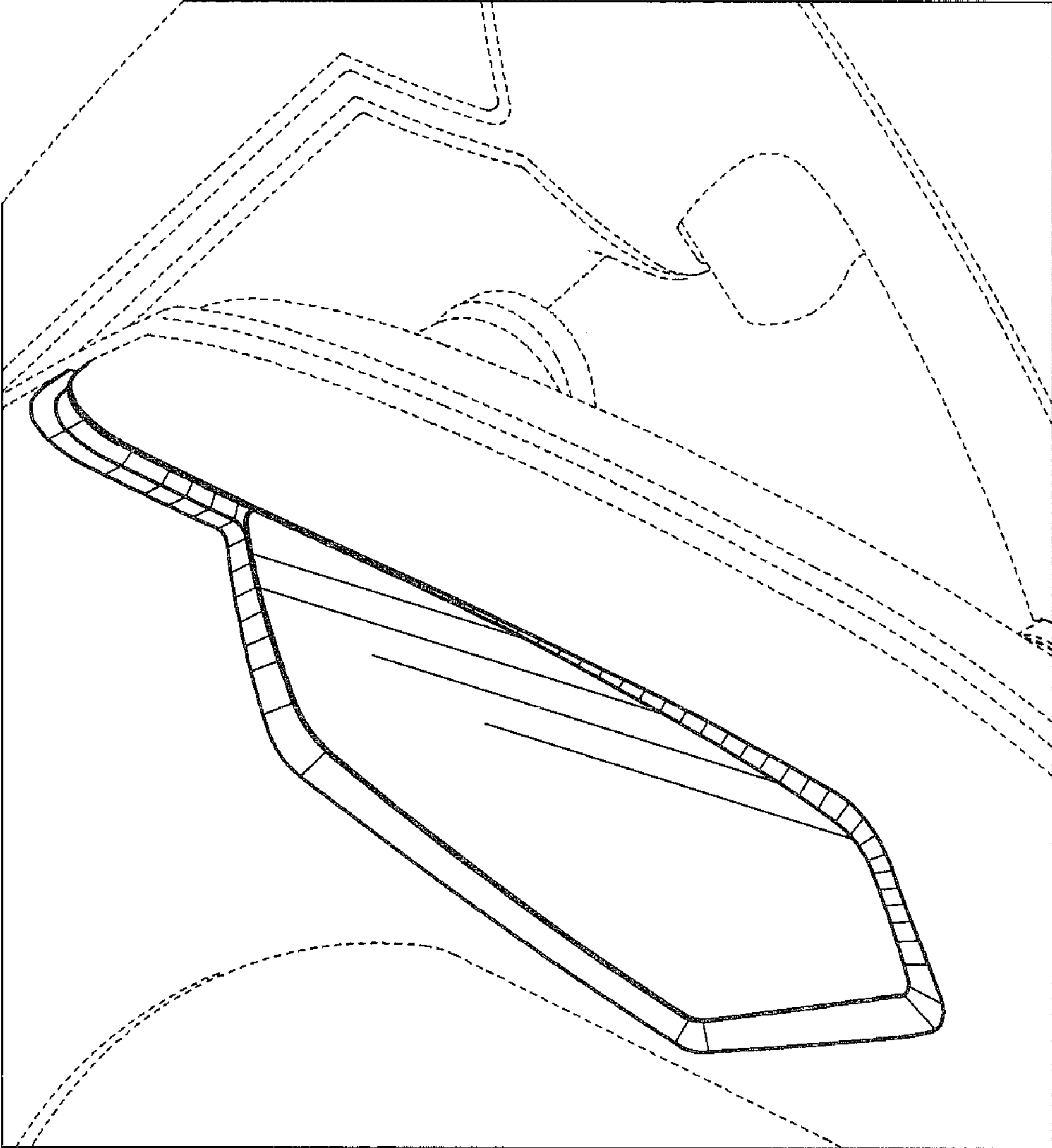


FIG. 8