



US00D648198S

(12) **United States Design Patent**
Okuda

(10) **Patent No.:** **US D648,198 S**

(45) **Date of Patent:** **** *Nov. 8, 2011**

(54) **PORTABLE ELECTRIC GRINDER**

(75) Inventor: **Shinsuke Okuda**, Anjo (JP)

(73) Assignee: **Makita Corporation**, Anjo-shi (JP)

(*) Notice: This patent is subject to a terminal disclaimer.

(**) Term: **14 Years**

(21) Appl. No.: **29/356,759**

(22) Filed: **Mar. 2, 2010**

(30) **Foreign Application Priority Data**

Oct. 20, 2009 (JP) 2009-24537

(51) **LOC (9) Cl.** **08-01**

(52) **U.S. Cl.** **D8/62**

(58) **Field of Classification Search** D32/15,
D32/17, 19; D8/67, 62, 61; D4/102; 451/456,
451/451, 359, 358, 357, 356, 355, 354, 353,
451/351, 344; 310/50; 173/170; 200/50.32
See application file for complete search history.

(56) **References Cited**

U.S. PATENT DOCUMENTS

D368,009 S *	3/1996	Zurwelle	D8/68
D421,885 S *	3/2000	Zurwelle et al.	D8/70
D434,296 S *	11/2000	Ogasawara	D8/62
D439,818 S *	4/2001	Price	D8/70
D447,924 S *	9/2001	Neitzell et al.	D8/64
D474,665 S *	5/2003	Taylor	D8/69

D487,384 S *	3/2004	Neitzell et al.	D8/64
6,827,157 B2 *	12/2004	Fuchs	173/217
D500,653 S *	1/2005	Concari	D8/68
D531,472 S *	11/2006	Schiller et al.	D8/61
D531,474 S *	11/2006	Hayakawa et al.	D8/69
D559,058 S *	1/2008	Radi	D8/62
D568,703 S *	5/2008	Jiang	
D576,460 S *	9/2008	Price et al.	D8/61

* cited by examiner

Primary Examiner — Austin Murphy

(74) *Attorney, Agent, or Firm* — Oliff & Berridge, PLC

(57) **CLAIM**

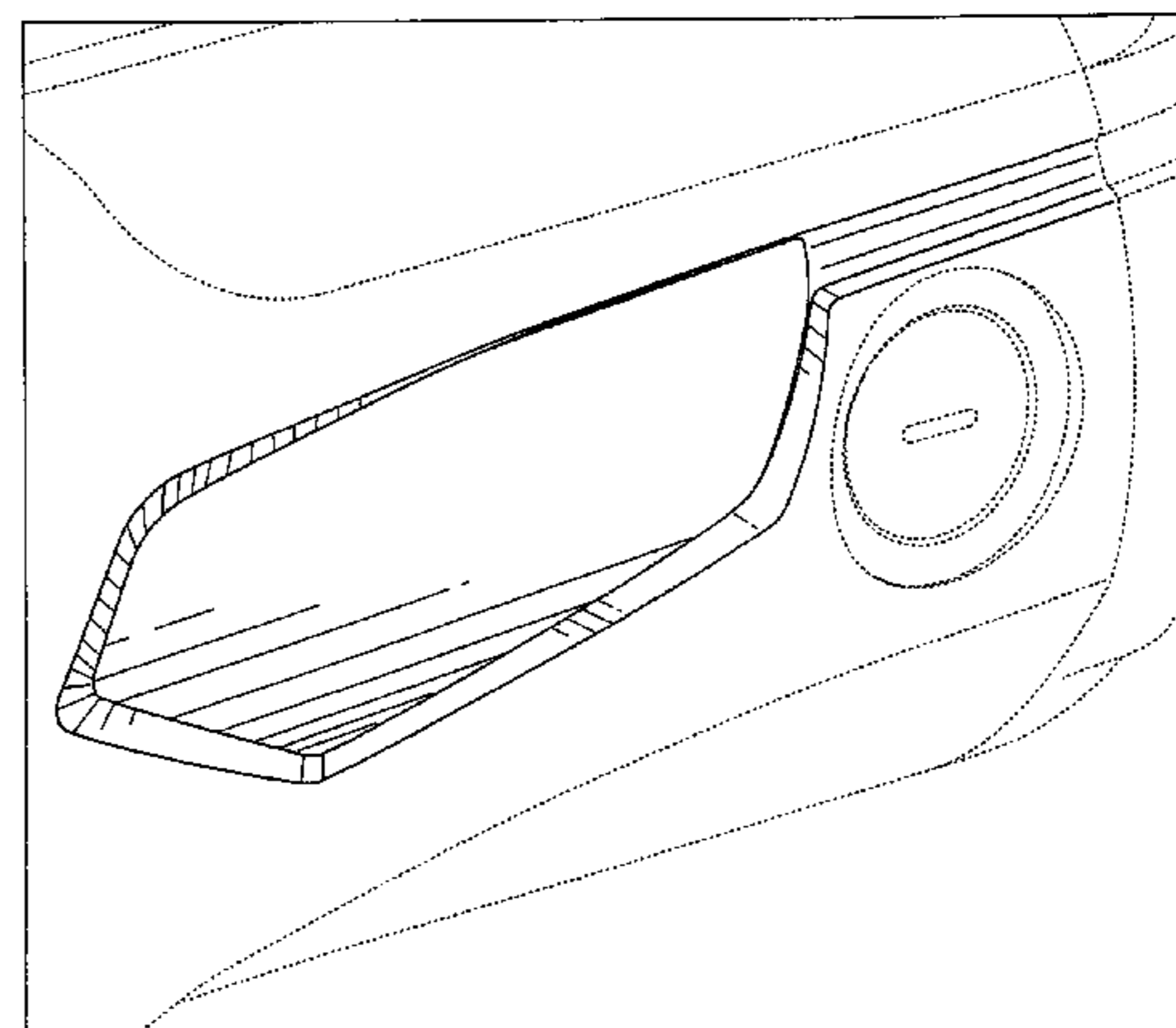
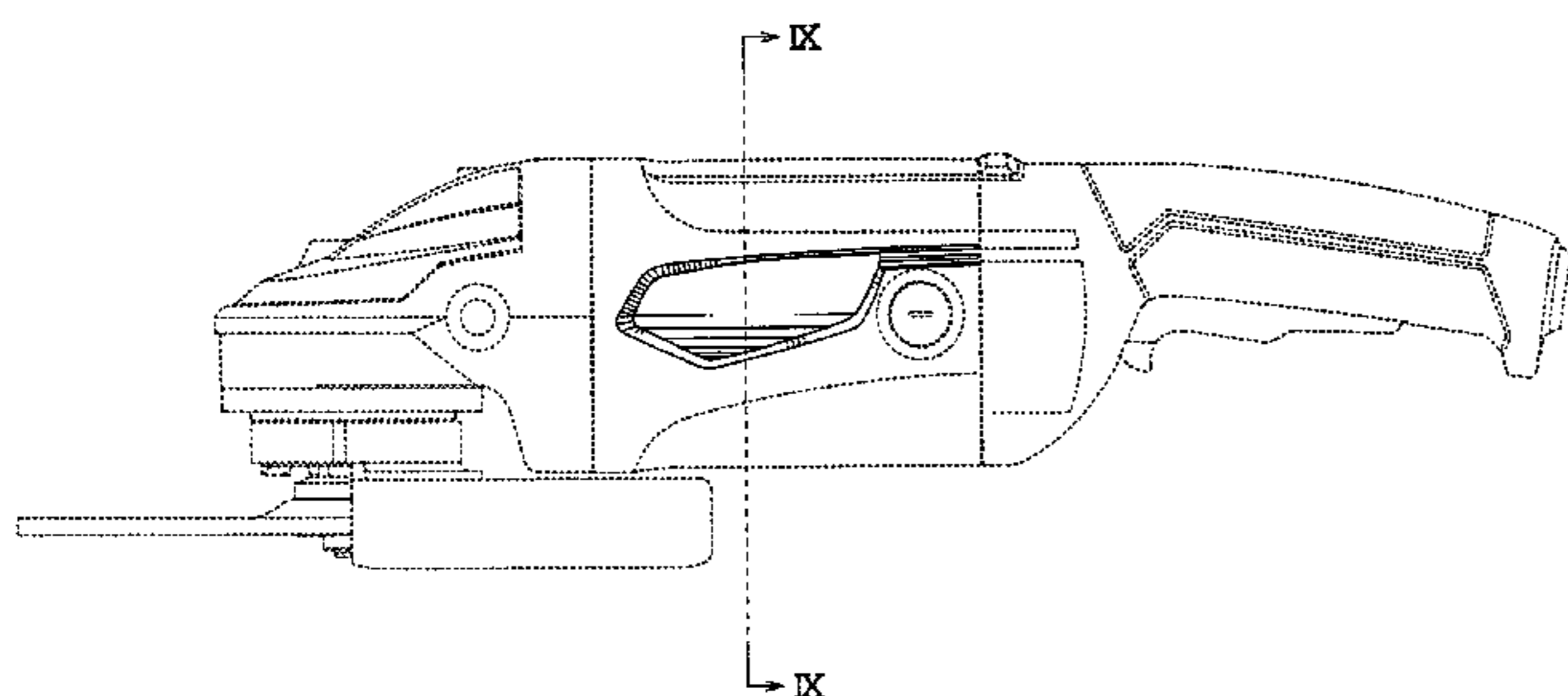
The ornamental design for a portable electric grinder, as shown and described.

DESCRIPTION

FIG. 1 is a perspective view of a portable electric grinder showing our new design;
FIG. 2 is a front view thereof;
FIG. 3 is a rear view thereof;
FIG. 4 is a left-side view thereof;
FIG. 5 is a right-side view thereof;
FIG. 6 is a top plan view thereof;
FIG. 7 is a bottom plan view thereof;
FIG. 8 is a partially enlarged view thereof taken along lines A-A, B-B, C-C and D-D in FIG. 1; and,
FIG. 9 is a cross-sectional view thereof taken along lines IX-IX in FIG. 2.

The broken lines depict environmental subject matter only and form no part of the claimed design.

1 Claim, 8 Drawing Sheets



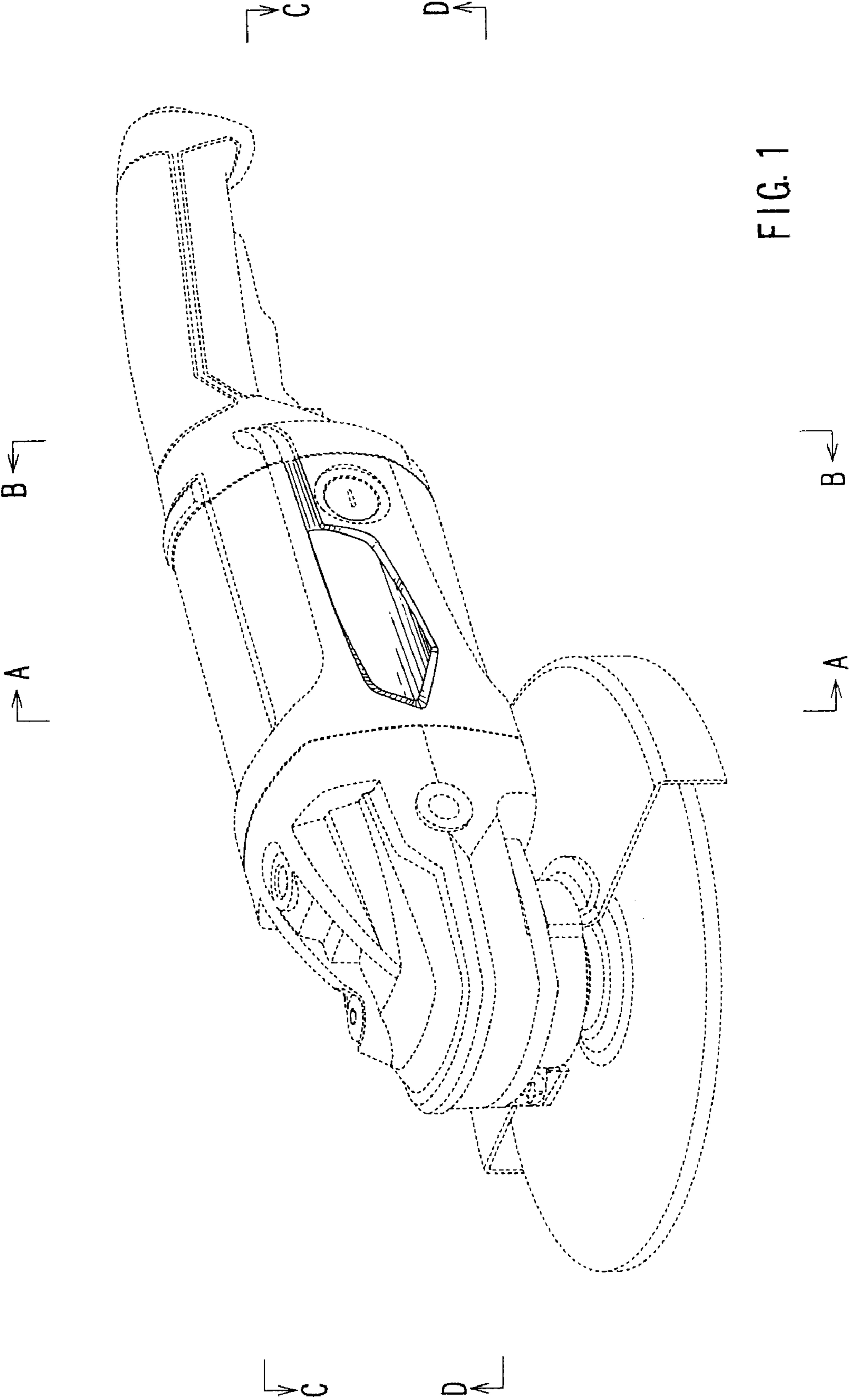


FIG. 1

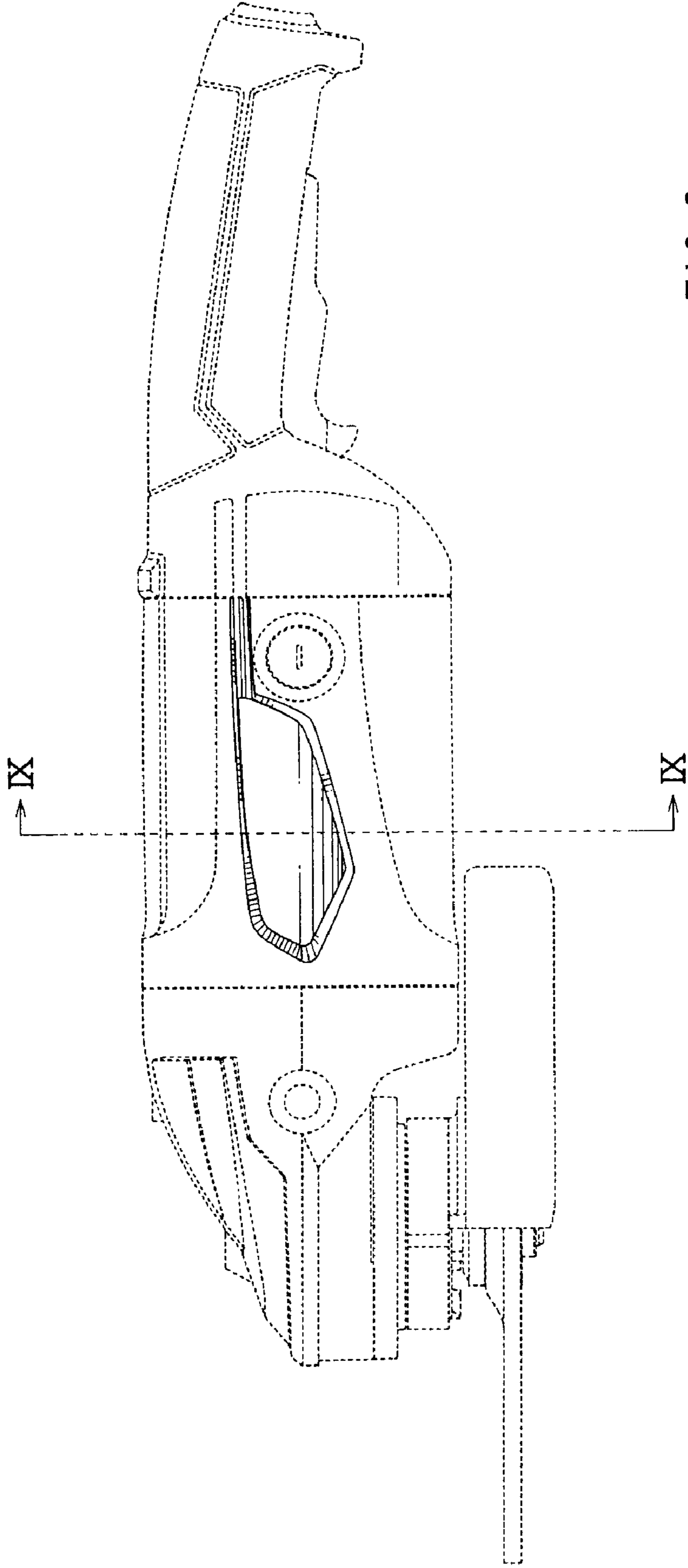


FIG. 2

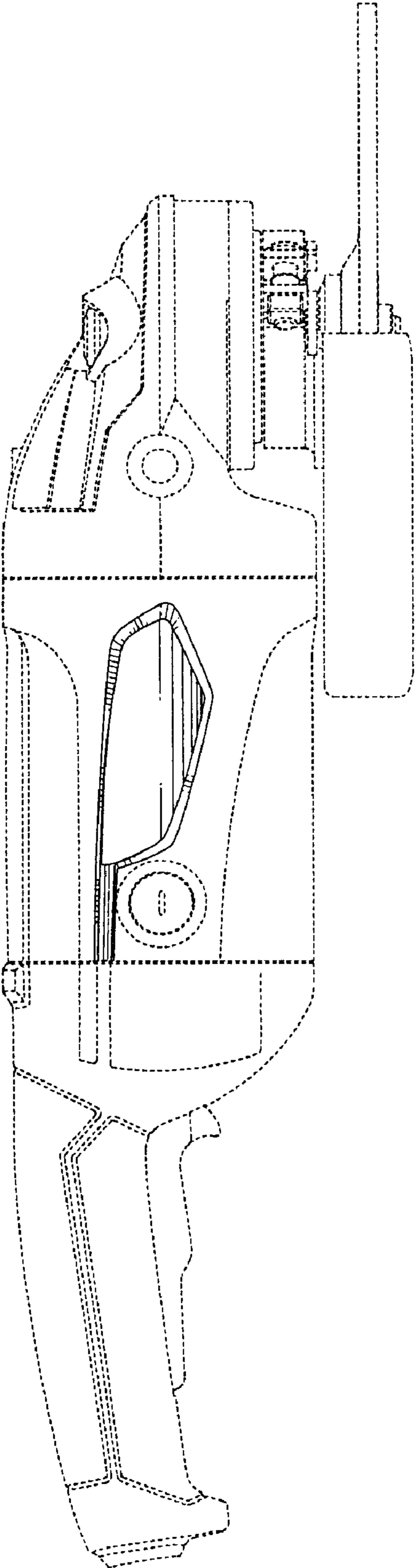


FIG. 3

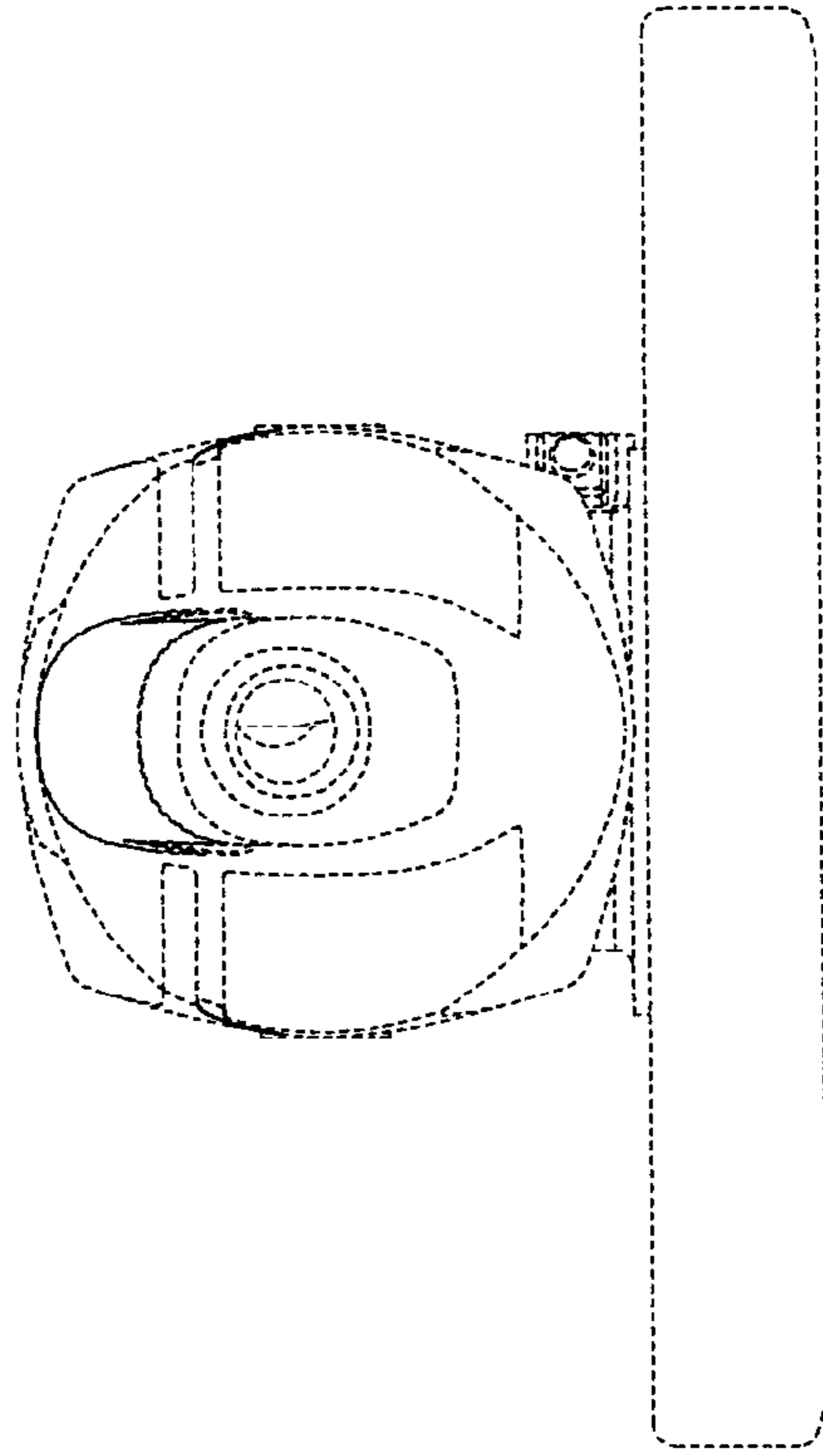


FIG. 5

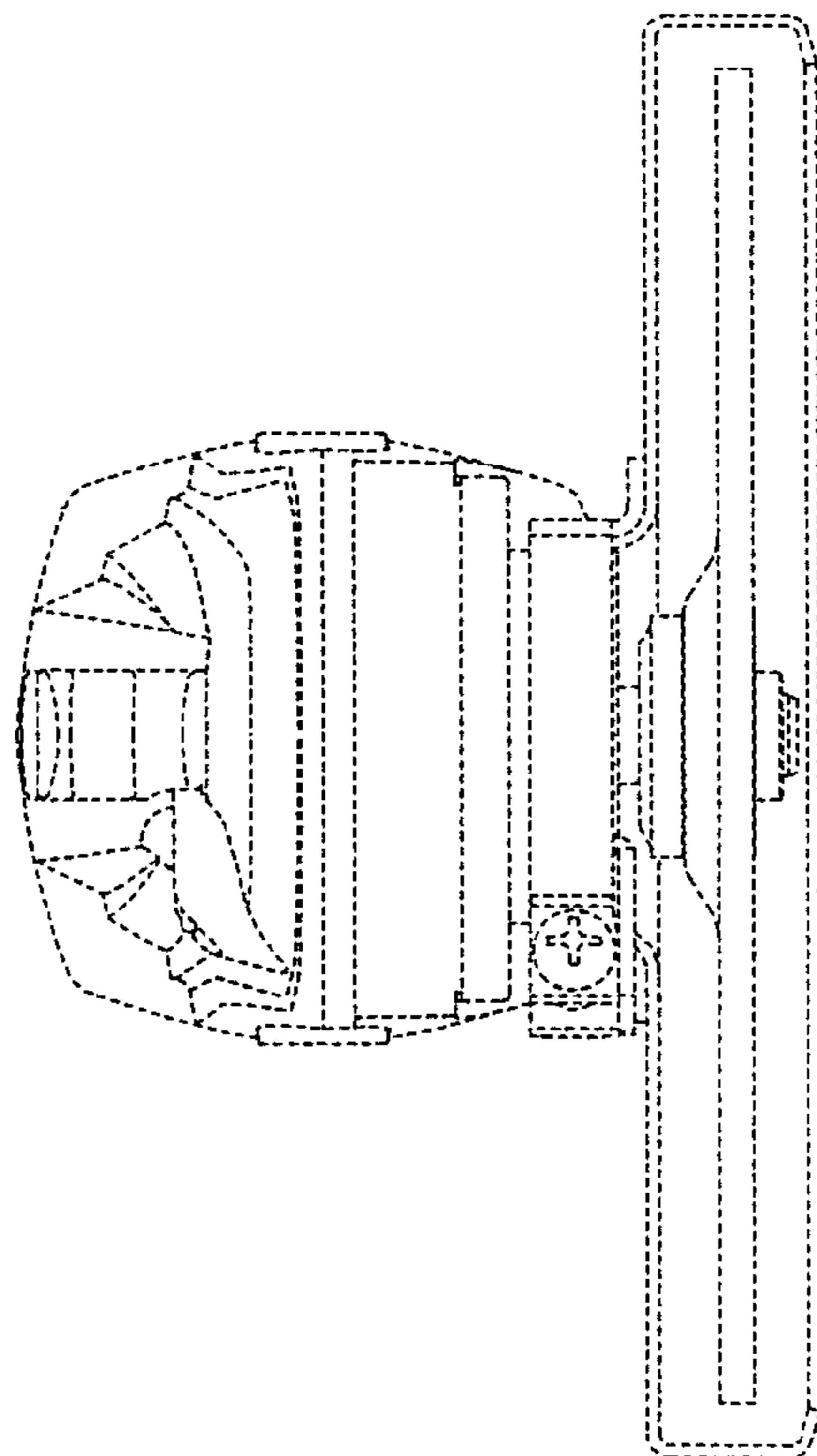


FIG. 4

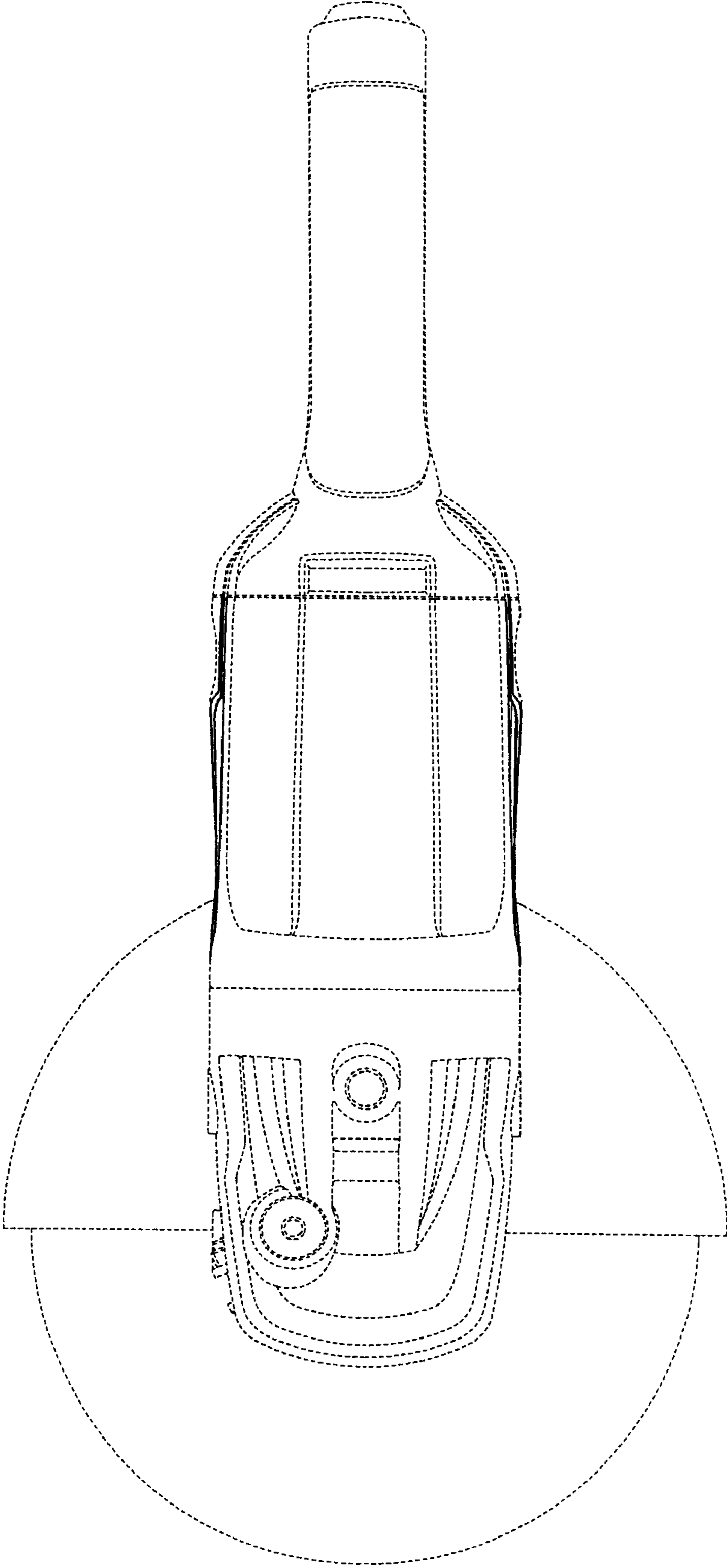


FIG. 6

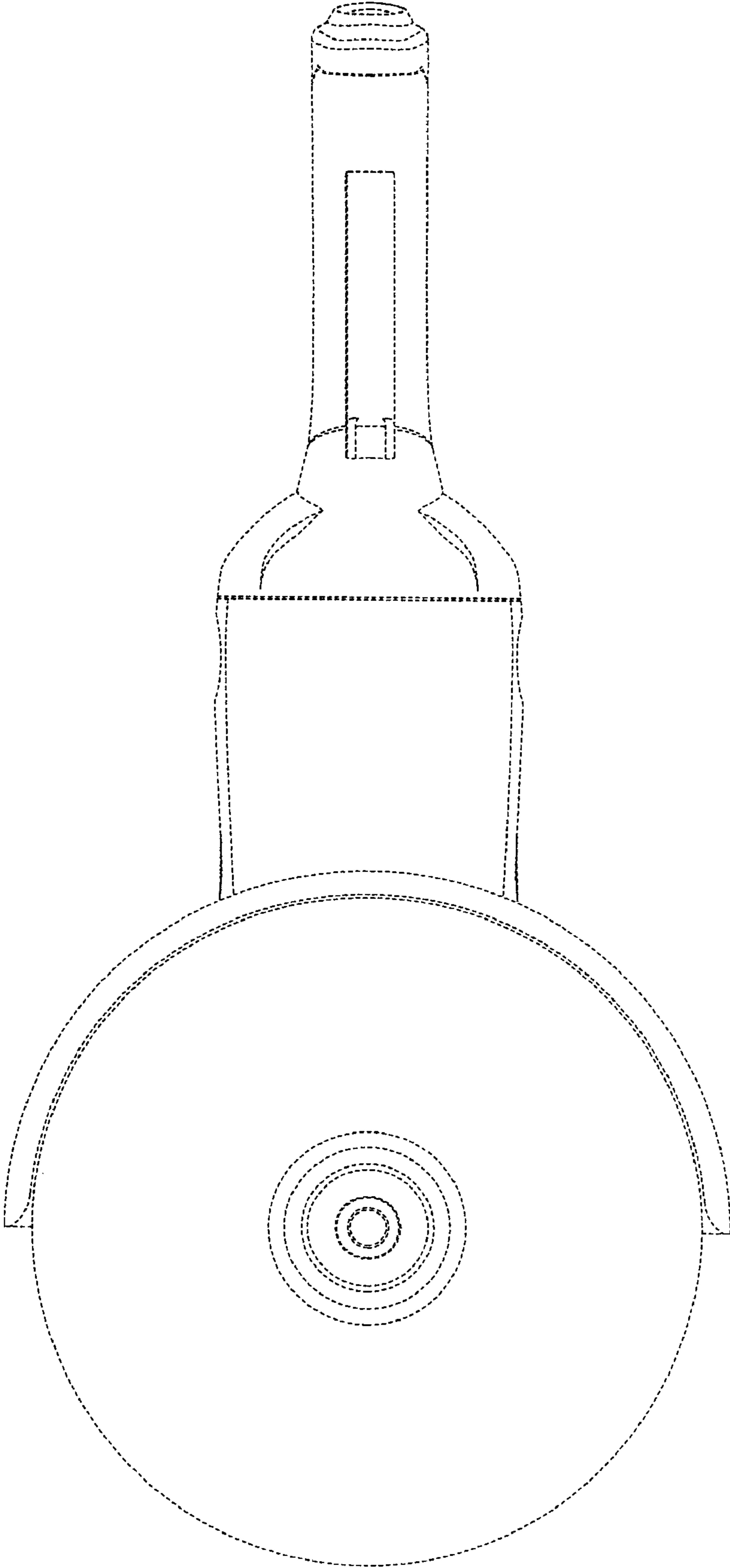


FIG. 7

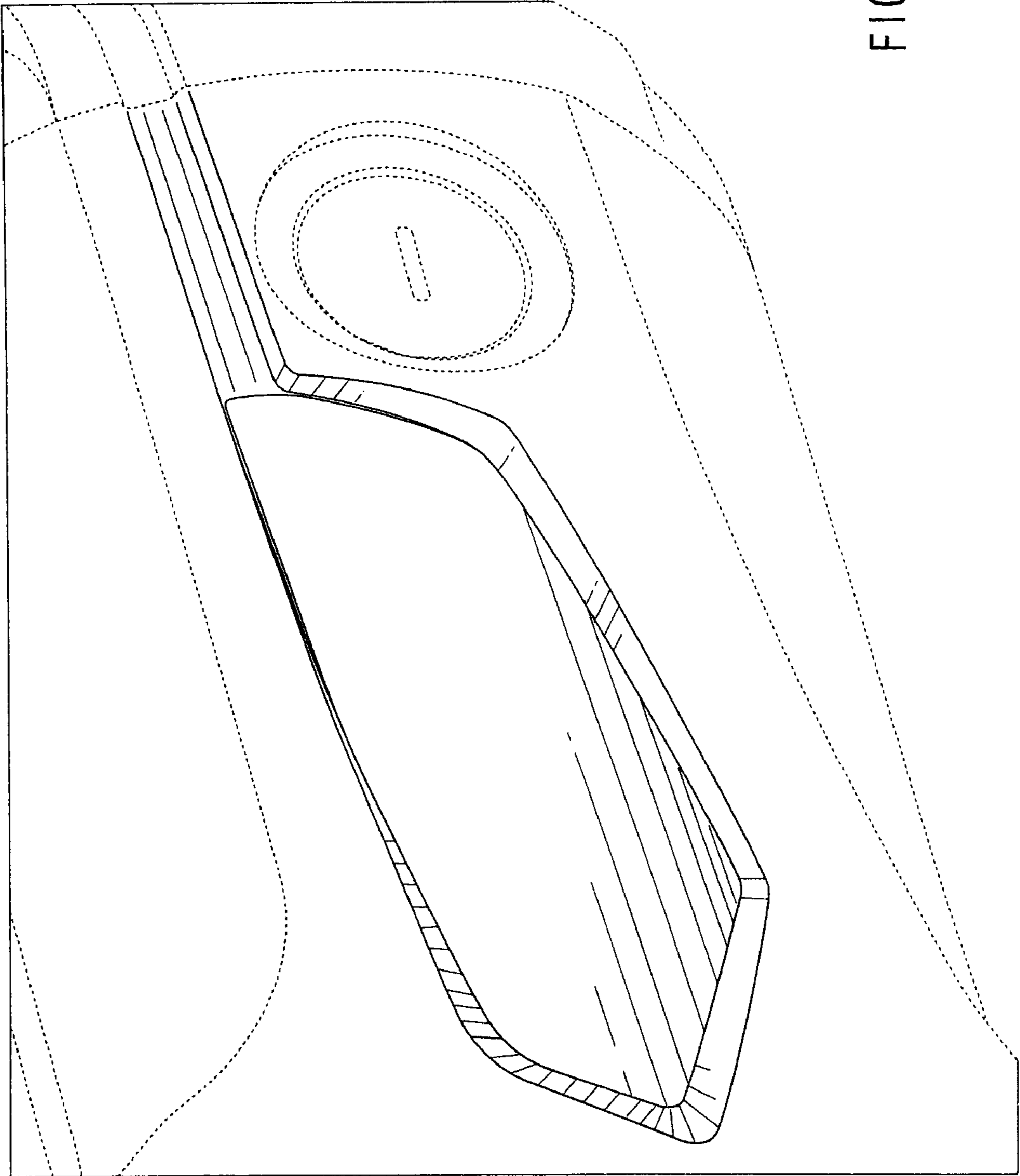


FIG. 8

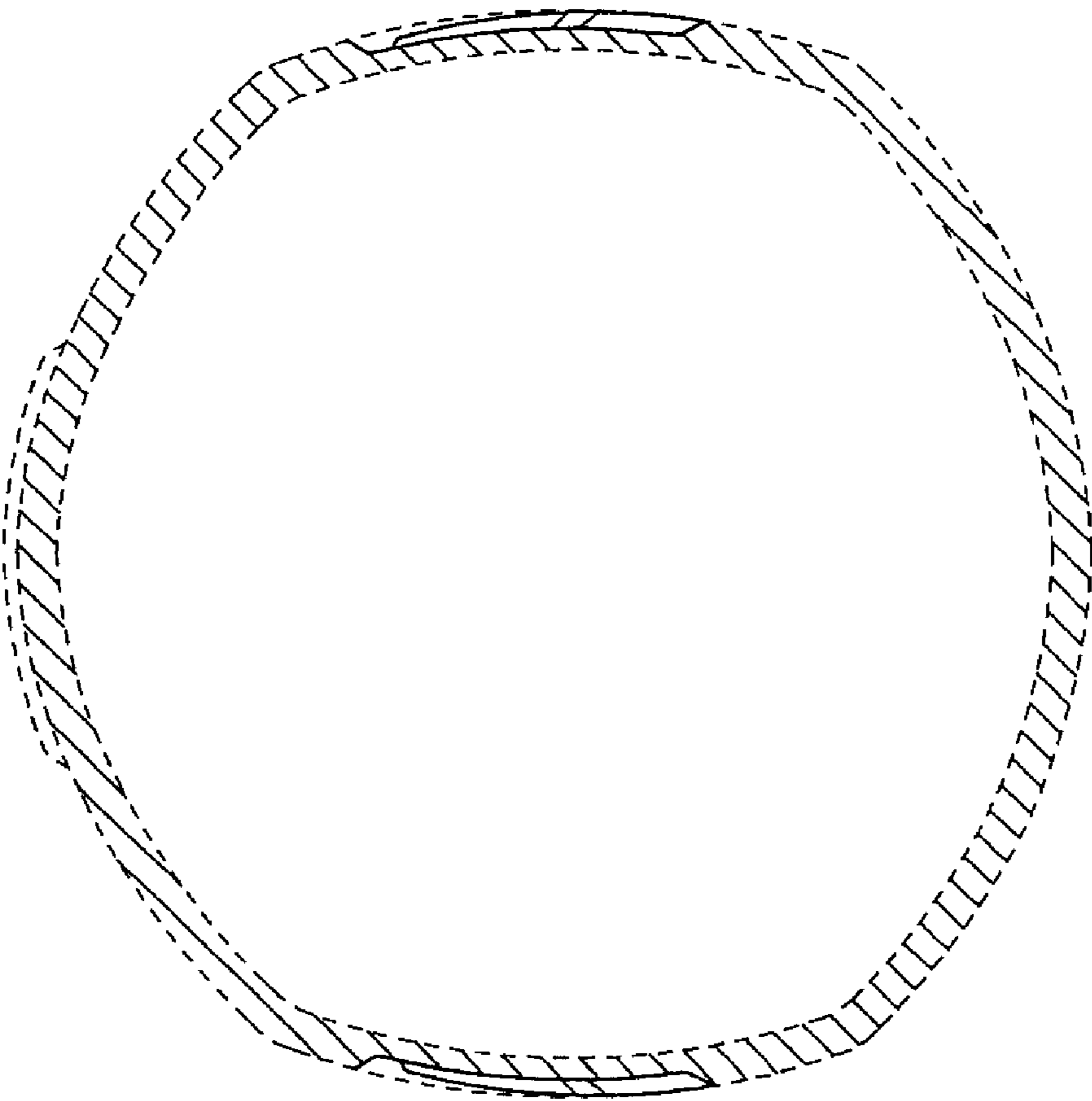


FIG. 9