



US00D648197S

(12) **United States Design Patent**
Lin

(10) **Patent No.:** **US D648,197 S**

(45) **Date of Patent:** **** Nov. 8, 2011**

(54) **SHEARS**

(76) Inventor: **Kun-Meng Lin**, Changhua County (TW)

(**) Term: **14 Years**

(21) Appl. No.: **29/393,659**

(22) Filed: **Jun. 8, 2011**

(51) **LOC (9) Cl.** **08-05**

(52) **U.S. Cl.** **D8/52**

(58) **Field of Classification Search** D8/99,
D8/98, 93, 63, 61, 58, 57, 56, 55, 53, 5, 107,
D8/104, 105, 52, 60; D24/148, 149; D21/532;
7/135; 606/45, 46, 48, 174; 30/349, 260,
30/123

See application file for complete search history.

(56) **References Cited**

U.S. PATENT DOCUMENTS

D245,752 S *	9/1977	Wiener	D8/52
D336,025 S *	6/1993	Steiner	D8/52
D346,316 S *	4/1994	Bergkvist et al.	D8/52
D387,965 S *	12/1997	Ronan	D8/98
D398,499 S *	9/1998	Ronan	D8/52
D424,899 S *	5/2000	Jaime	D8/52
D427,036 S *	6/2000	Ronan	D8/52
D455,329 S *	4/2002	Renner	D8/98
D458,094 S *	6/2002	Clivio	D8/5
D461,108 S *	8/2002	Herzog et al.	D8/52

D464,541 S *	10/2002	Richwine et al.	D8/5
D499,320 S *	12/2004	Seber et al.	D8/52
D506,660 S *	6/2005	Chen	D8/52
D543,429 S *	5/2007	Norin	D8/52
D544,323 S *	6/2007	Hutchfield	D8/52
D554,457 S *	11/2007	Dumbrell	D8/52
D583,208 S *	12/2008	Huang	D8/60
D592,473 S *	5/2009	Storm et al.	D8/52
D597,811 S *	8/2009	Yu	D8/52
D609,541 S *	2/2010	Hutchfield	D8/52
D614,465 S *	4/2010	Porter	D8/52
D615,377 S *	5/2010	Williams	D8/52
D628,036 S *	11/2010	Steiner	D8/52
2008/0078273 A1 *	4/2008	Steiner et al.	81/350

* cited by examiner

Primary Examiner — Austin Murphy

(57) **CLAIM**

The ornamental design for a shears, as shown and described.

DESCRIPTION

FIG. 1 is a top and front perspective view of the shears showing my new design;

FIG. 2 is a front elevational view thereof;

FIG. 3 is a rear elevational view thereof;

FIG. 4 is a left side elevational view thereof;

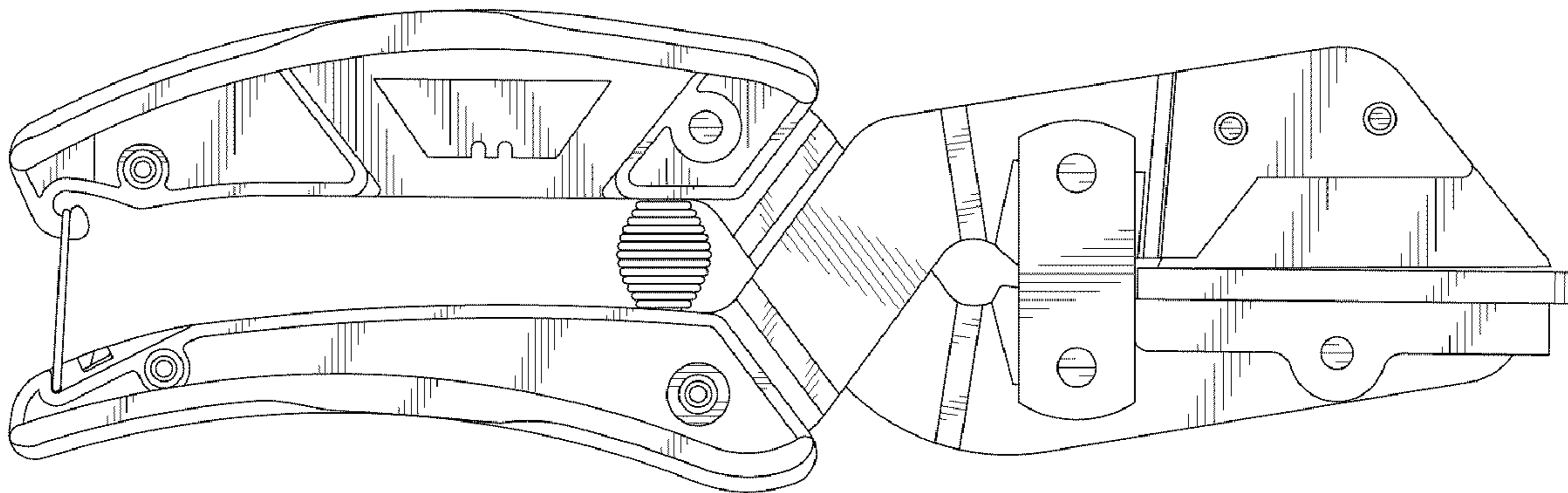
FIG. 5 is a right side elevational view thereof;

FIG. 6 is a top plan view thereof;

FIG. 7 is a bottom plan view thereof; and,

FIG. 8 is a top and rear perspective view thereof.

1 Claim, 5 Drawing Sheets



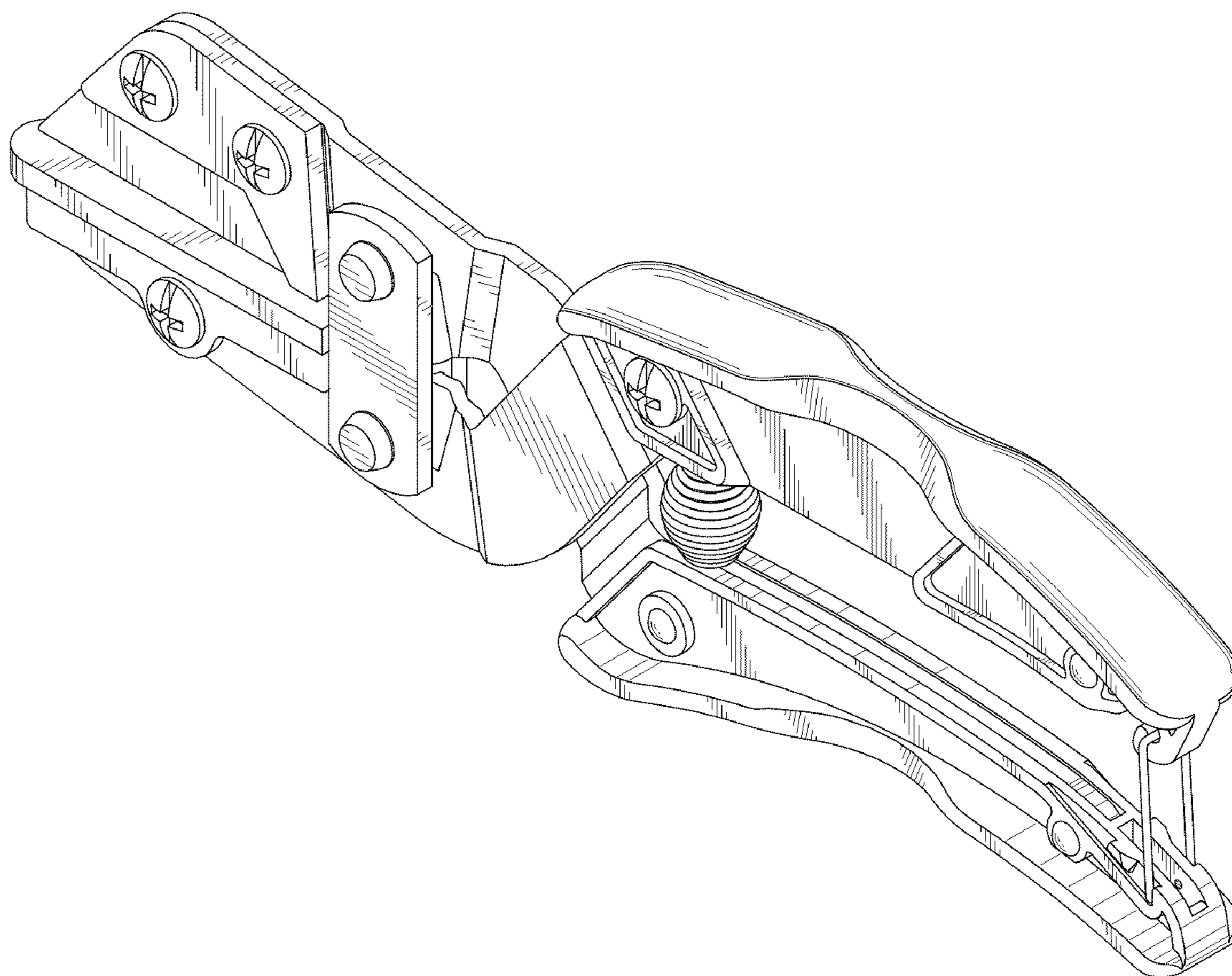


FIG. 1

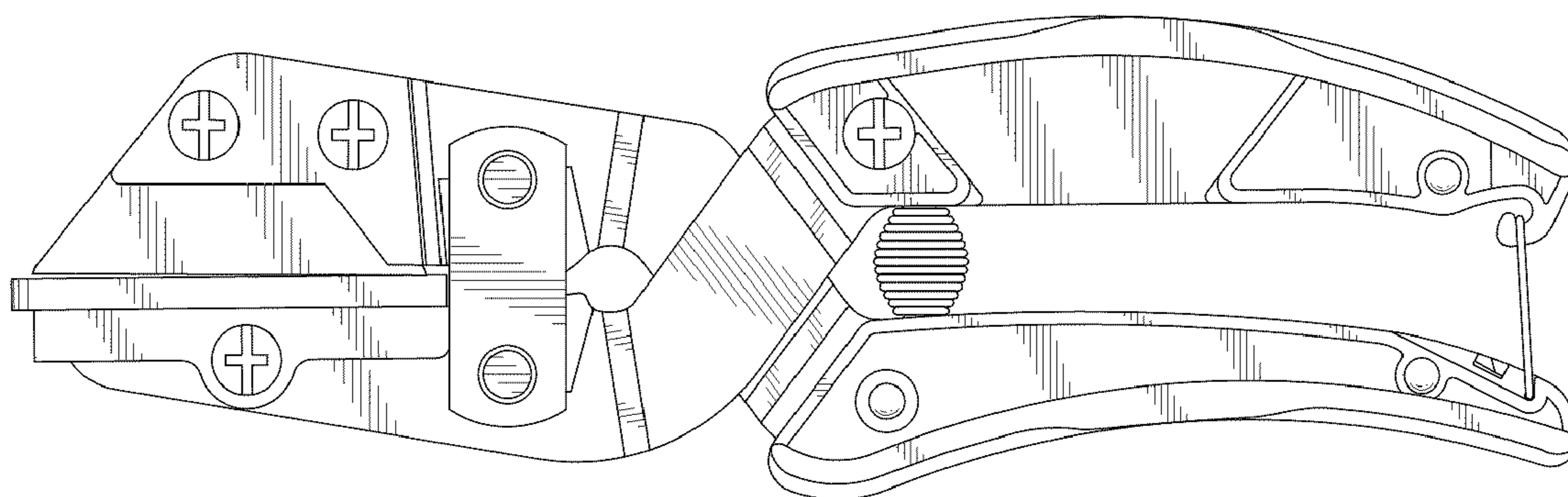


FIG. 2

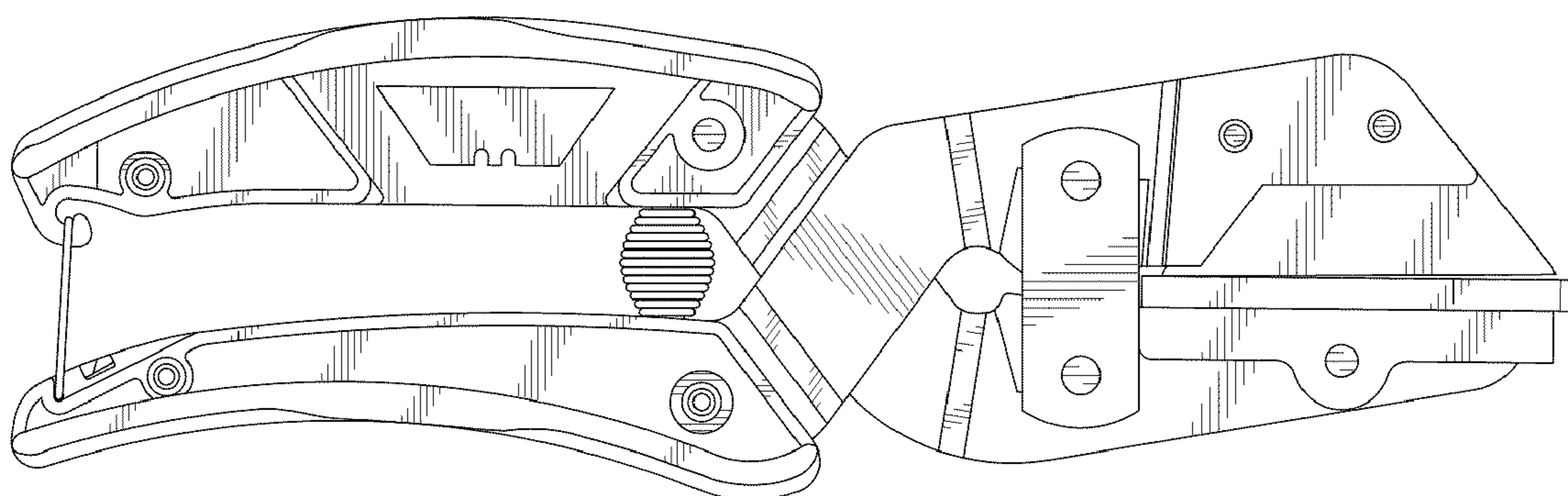


FIG. 3

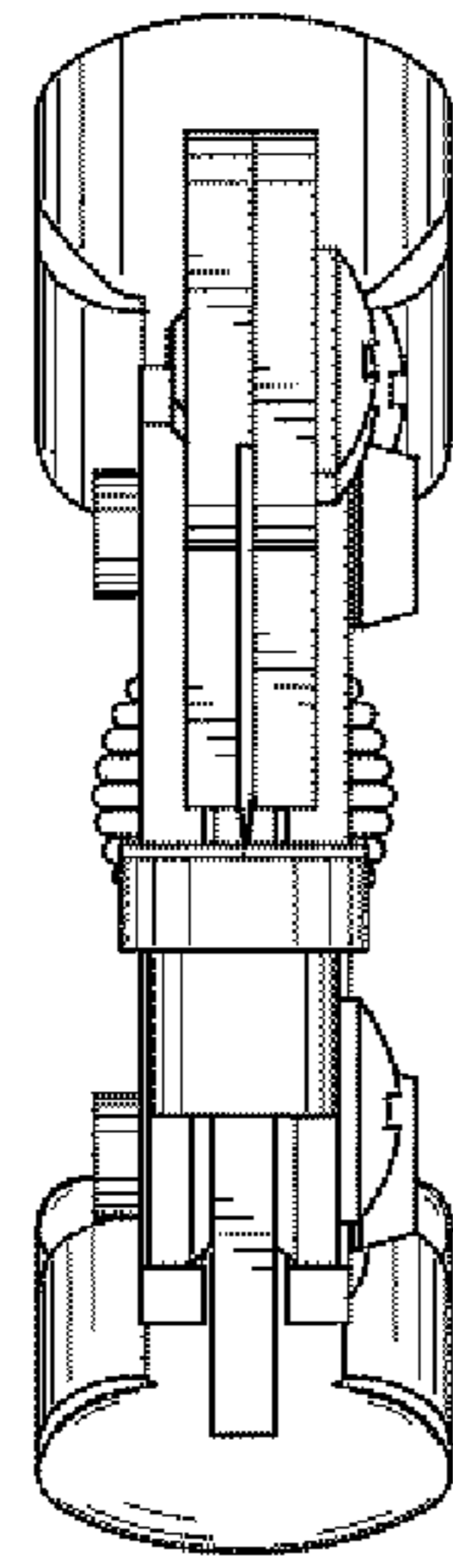


FIG. 4

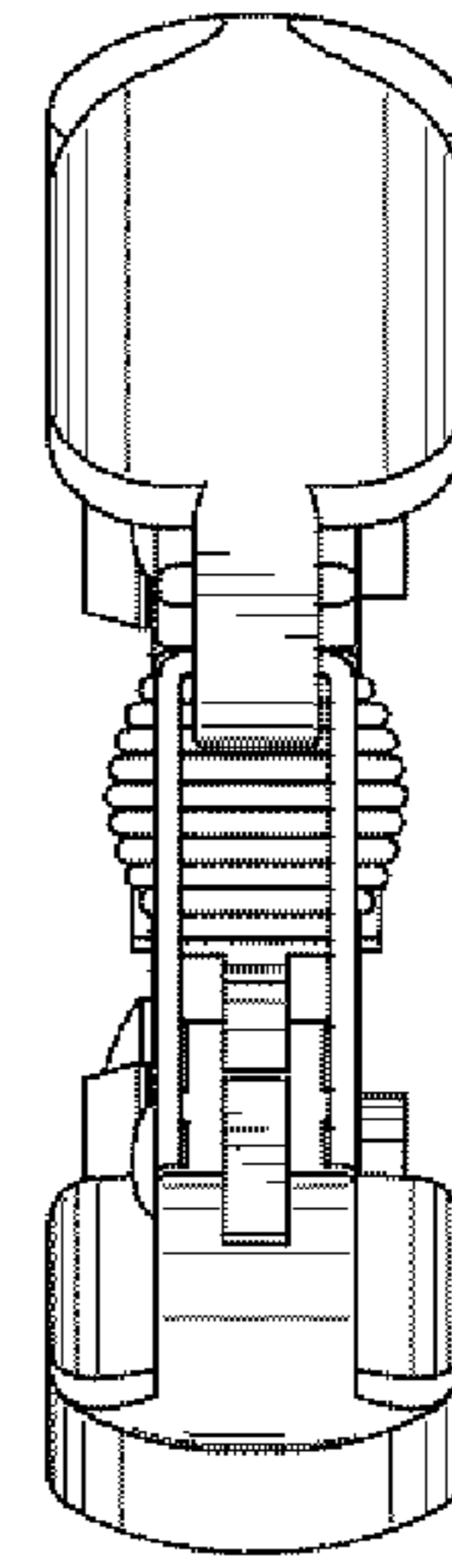


FIG. 5

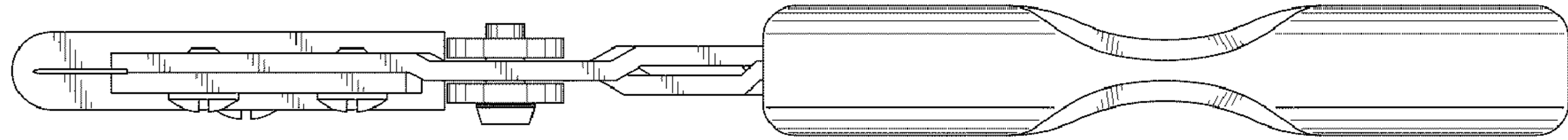


FIG. 6

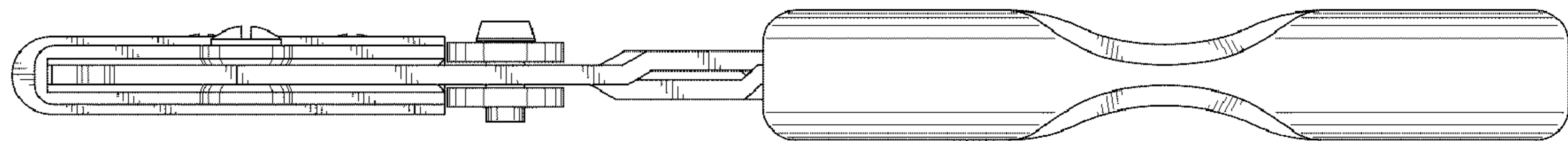


FIG. 7

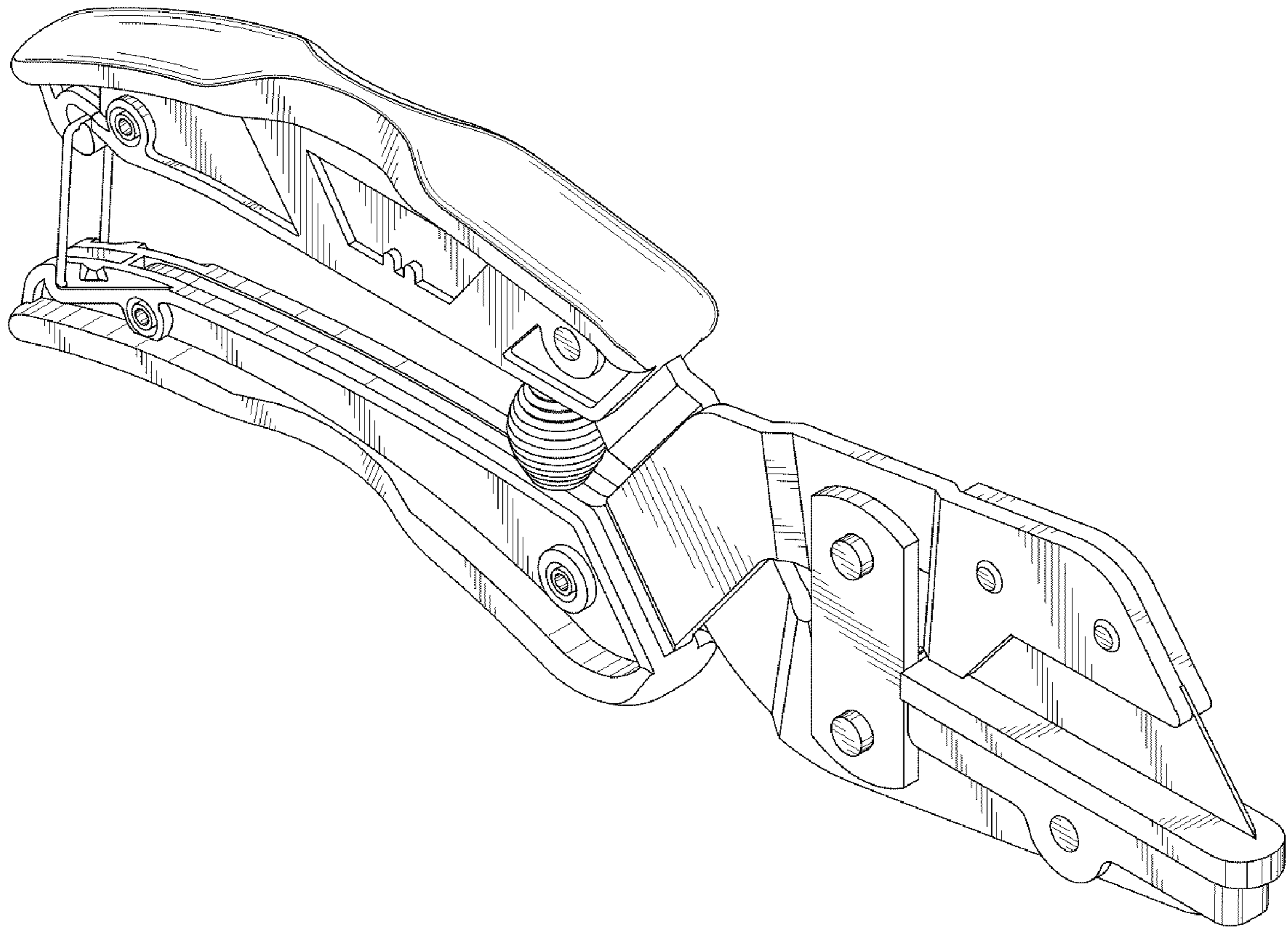


FIG. 8