



US00D648195S

(12) **United States Design Patent**
Lin

(10) **Patent No.:** **US D648,195 S**
(45) **Date of Patent:** **** Nov. 8, 2011**

(54) **RATCHET WRENCH**

(76) Inventor: **Yi-Hung Lin**, Taichung (TW)

(**) Term: **14 Years**

(21) Appl. No.: **29/390,775**

(22) Filed: **Apr. 29, 2011**

(51) **LOC (9) Cl.** **08-05**

(52) **U.S. Cl.** **D8/25**

(58) **Field of Classification Search** D8/21-29,
D8/354, 107; 81/60, 177.1, 177.85, 121.1,
81/124.3, 165-170, 110.1, 176.2, 124.6,
81/176.1, 176.15, 177.2, 186; 16/110.1;
D15/144.1, 143; 219/75, 227, 229, 121.16,
219/121.18

See application file for complete search history.

(56) **References Cited**

U.S. PATENT DOCUMENTS

D566,497 S *	4/2008	Wang	D8/25
D576,457 S *	9/2008	Chen	D8/27
D576,852 S *	9/2008	Lin	D8/25
D613,568 S *	4/2010	Yu	D8/25

D633,762 S *	3/2011	Zhou et al.	D8/22
D642,881 S *	8/2011	Christopher	D8/25
2002/0157505 A1 *	10/2002	Wang	81/177.1
2003/0046768 A1 *	3/2003	Cheng	7/138
2005/0217438 A1 *	10/2005	Hu	81/177.1
2006/0130615 A1 *	6/2006	Arnold et al.	81/63.2

* cited by examiner

Primary Examiner — Raphael Barkai

Assistant Examiner — Randall Gholson

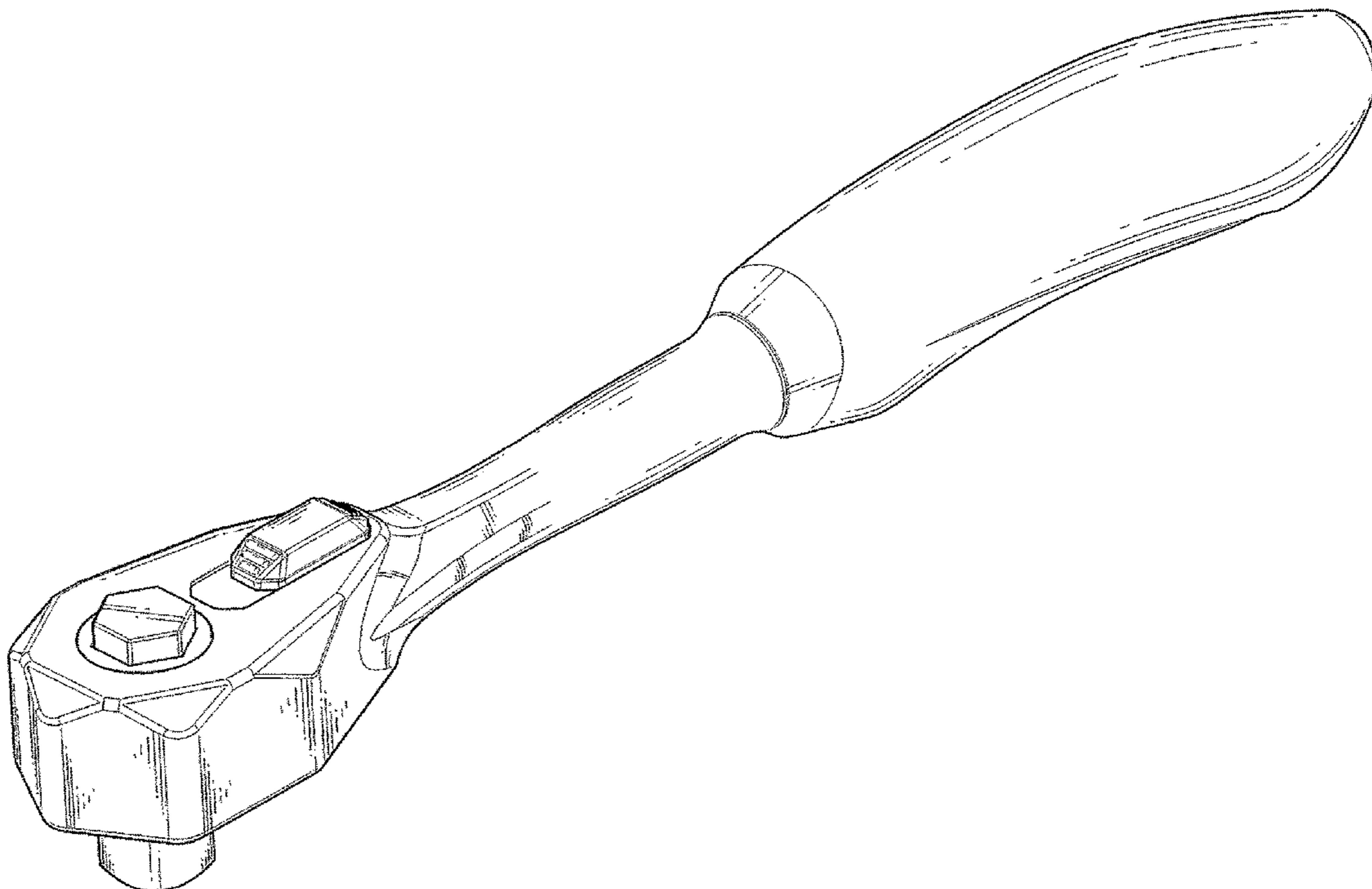
(57) **CLAIM**

The ornamental design for a ratchet wrench, as shown and described.

DESCRIPTION

FIG. 1 is a perspective view of a ratchet wrench showing my new design;
FIG. 2 is a front elevational view thereof;
FIG. 3 is a rear elevational view thereof;
FIG. 4 is a left side elevational view thereof;
FIG. 5 is a right side elevational view thereof;
FIG. 6 is a top plan view thereof; and,
FIG. 7 is a bottom plan view thereof.

1 Claim, 6 Drawing Sheets



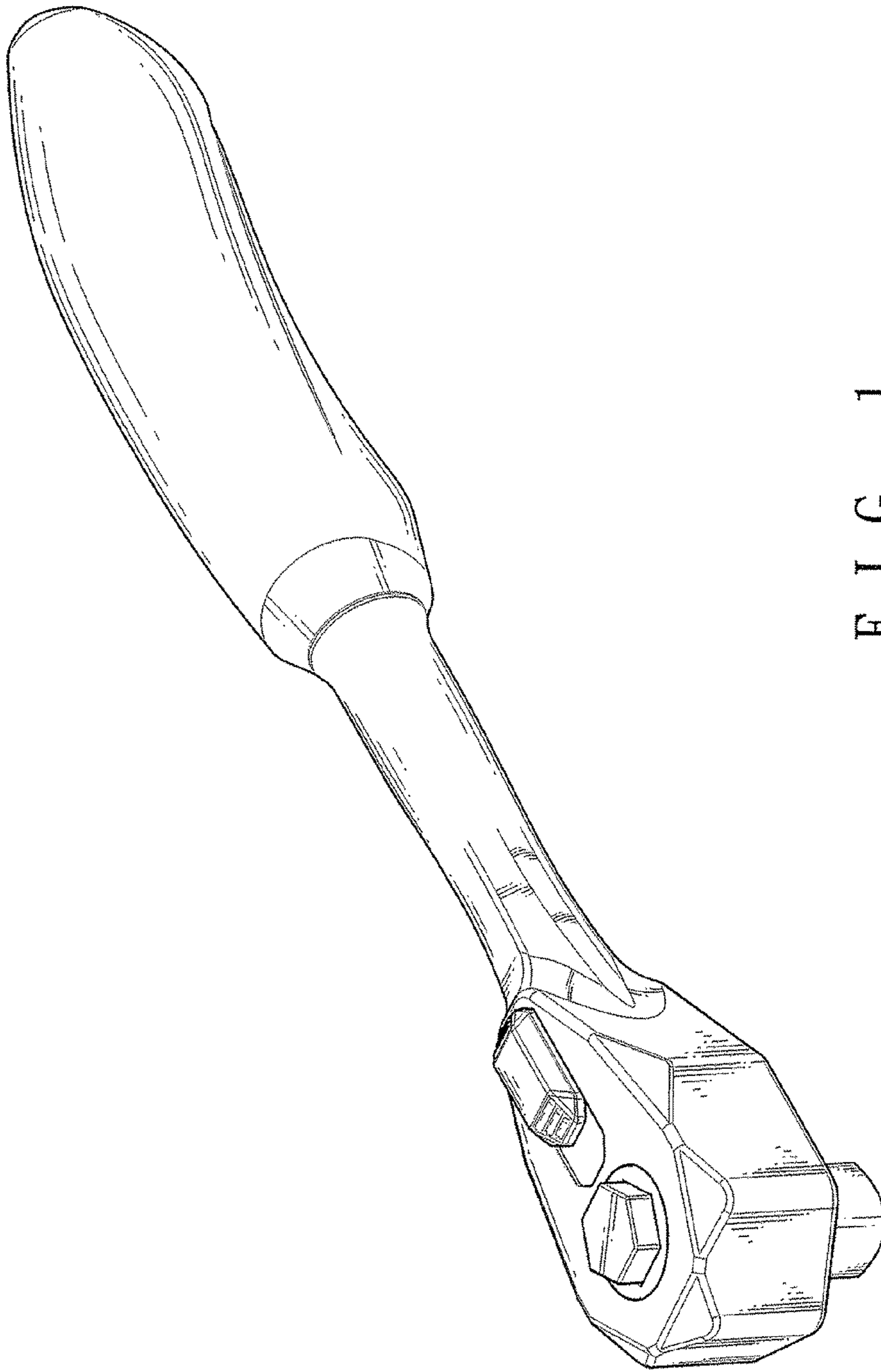


FIG. 1

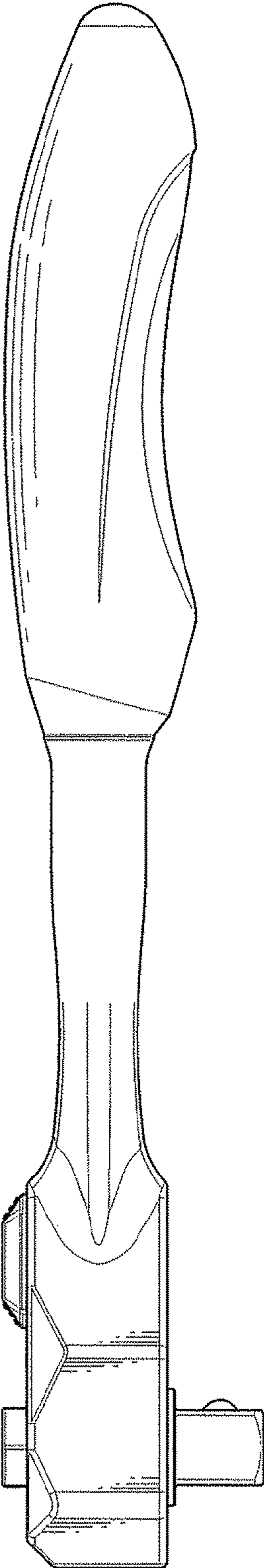


FIG. 2

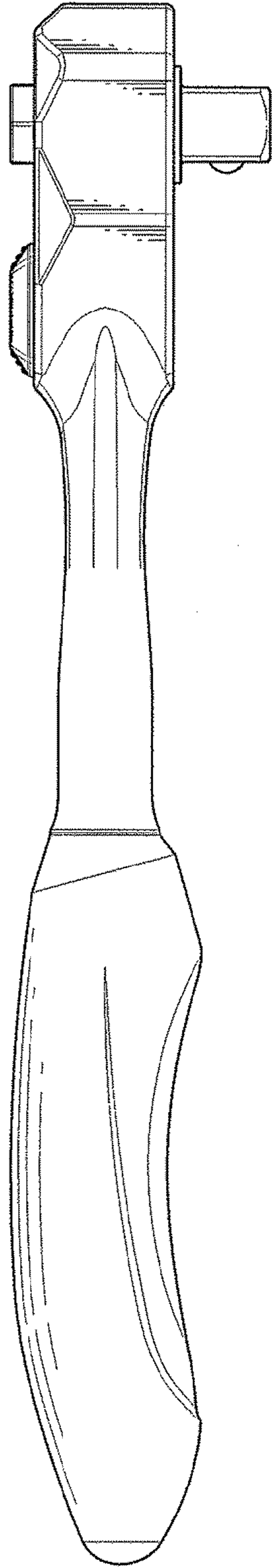


FIG. 3

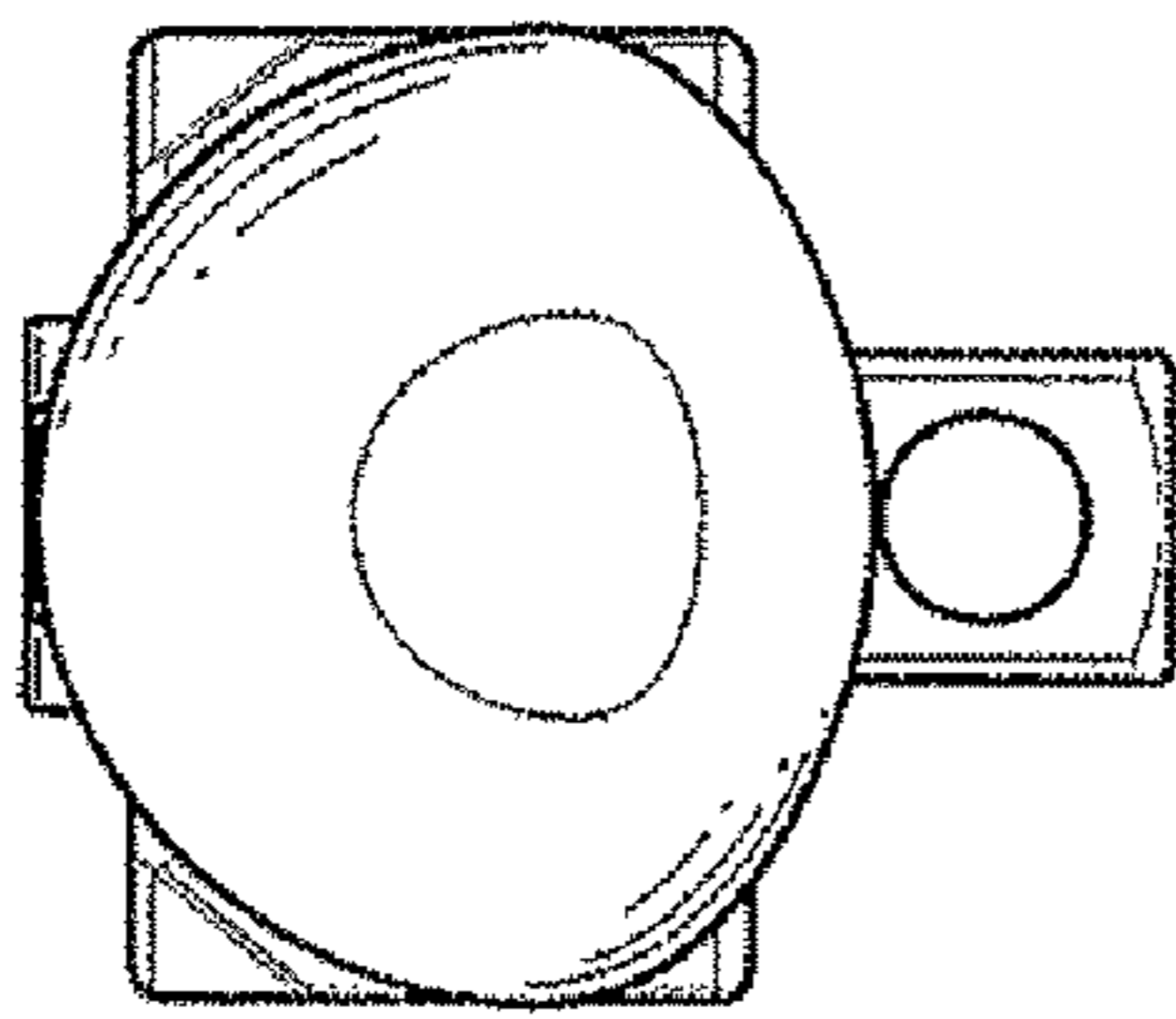


FIG. 4

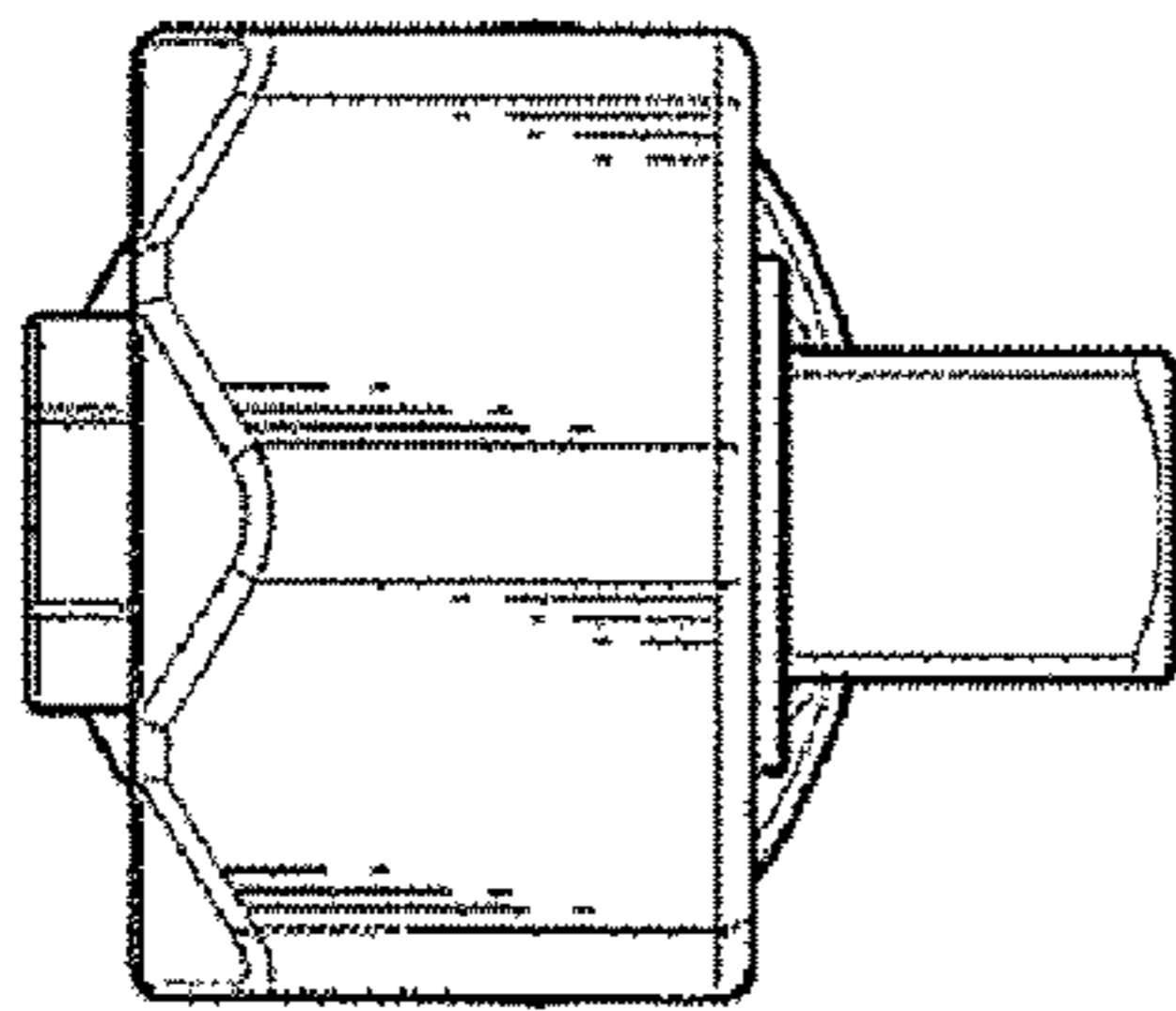


FIG. 5

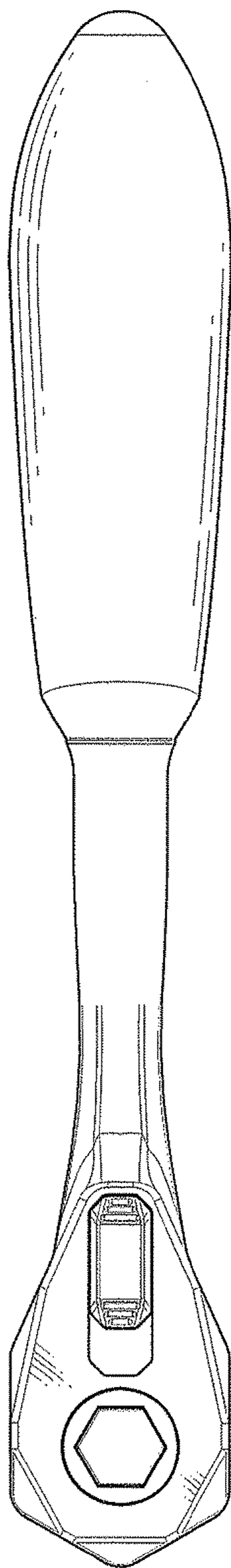


FIG. 6

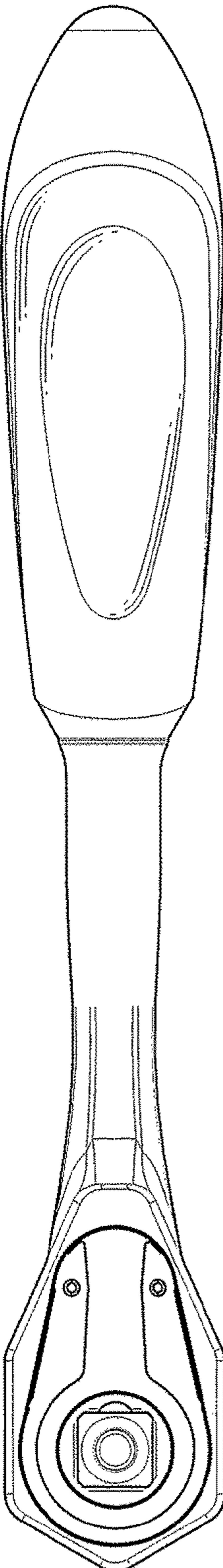


FIG. 7