



US00D648194S

(12) **United States Design Patent**  
**Tinius**

(10) **Patent No.:** **US D648,194 S**

(45) **Date of Patent:** **\*\* Nov. 8, 2011**

(54) **BRUSHCUTTER**

(75) Inventor: **Michael Tinius**, Ulm (DE)

(73) Assignee: **Andreas Stihl AG & Co. KG**,  
Waiblingen (DE)

(\*\*) Term: **14 Years**

(21) Appl. No.: **29/367,853**

(22) Filed: **Aug. 13, 2010**

(30) **Foreign Application Priority Data**

Feb. 16, 2010 (EM) ..... 001196323-0004

(51) **LOC (9) Cl.** ..... **08-01**

(52) **U.S. Cl.** ..... **D8/8**

(58) **Field of Classification Search** ..... D8/8, 7,  
D8/9; D15/17, 1; 30/276, 208–210, 347,  
30/228, 382–383; 56/12.7, 233–234

See application file for complete search history.

(56) **References Cited**

**U.S. PATENT DOCUMENTS**

D252,130 S \* 6/1979 Hoff ..... D8/8  
5,027,591 A \* 7/1991 Nakamura et al. .... 56/240  
D355,817 S \* 2/1995 Nakadachi ..... D8/8

D427,862 S \* 7/2000 Yamane et al. .... D8/8  
D566,493 S \* 4/2008 Wang ..... D8/8  
D609,067 S \* 2/2010 Tinius ..... D8/8

\* cited by examiner

*Primary Examiner* — Holly Baynham

*Assistant Examiner* — Sheryl Lane

(74) *Attorney, Agent, or Firm* — McGuireWoods LLP

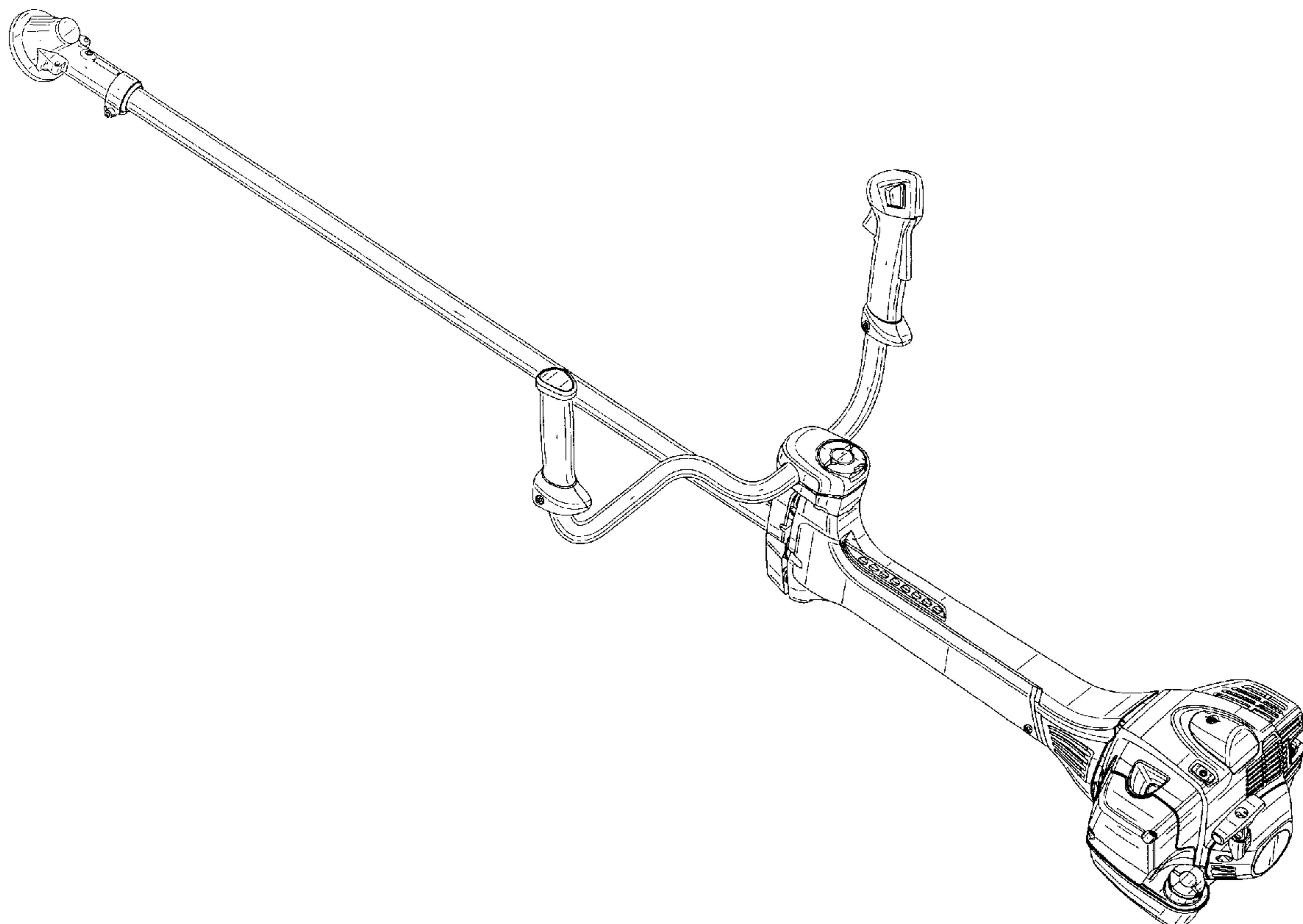
(57) **CLAIM**

I claim the ornamental design for a brushcutter, as shown and described.

**DESCRIPTION**

FIG. 1 is a left side perspective view of the brushcutter; FIG. 2 is a partial front side view of the design shown in FIG. 1; FIG. 3 is a rear side view of the design shown in FIG. 1; FIG. 4 is a partial right side view of the design shown in FIG. 1; FIG. 5 is a partial left side view of the design shown in FIG. 1; FIG. 6 is a partial top front view of the design shown in FIG. 1; and, FIG. 7 is a partial back view of the design shown in FIG. 1. The broken line showing of the brushcutter is included for the purpose of illustrating portions of the brushcutter and forms no part of the claimed design. Drawing FIGS. 2, 4-7 are shown enlarged for ease of illustration.

**1 Claim, 7 Drawing Sheets**



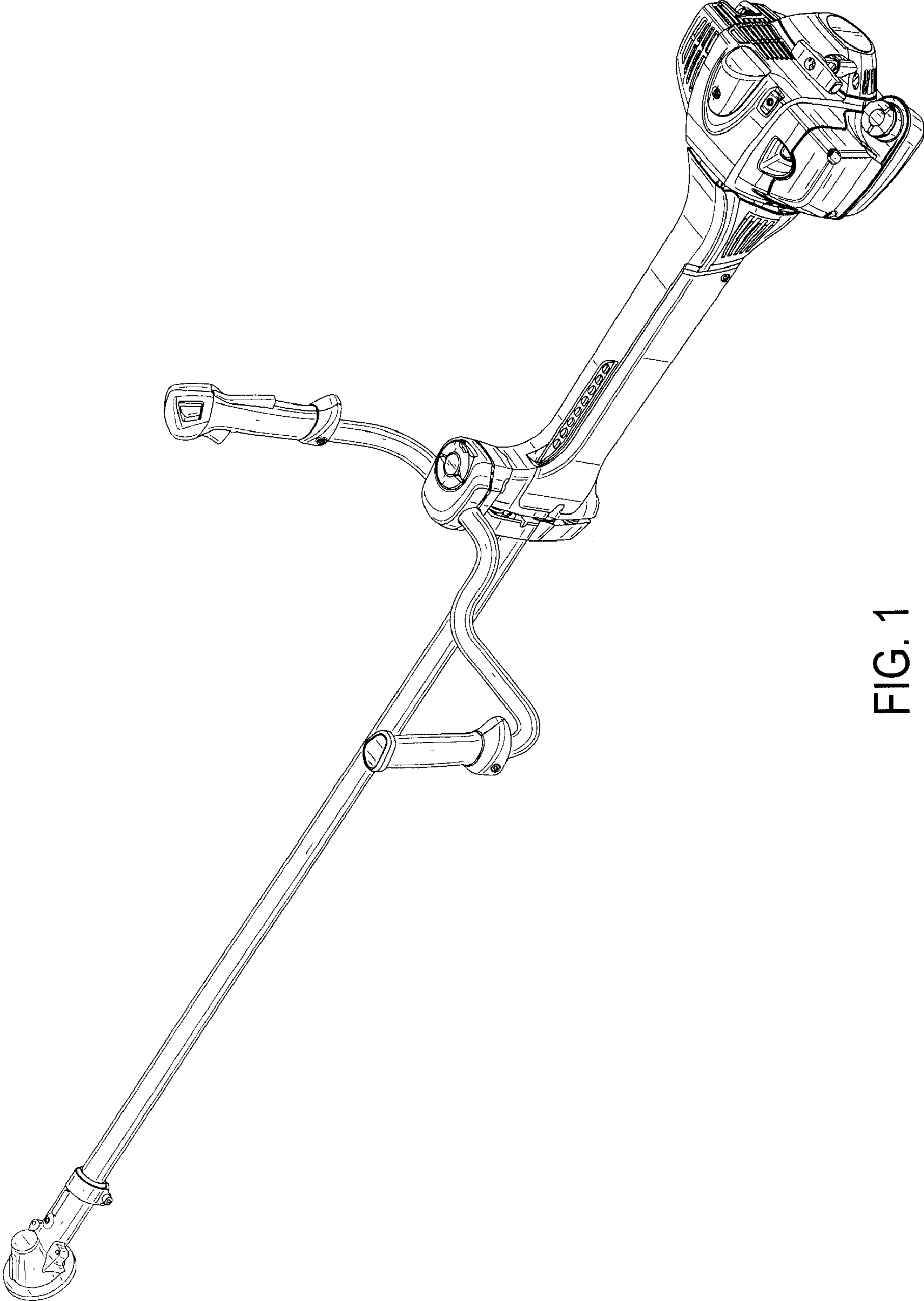


FIG. 1

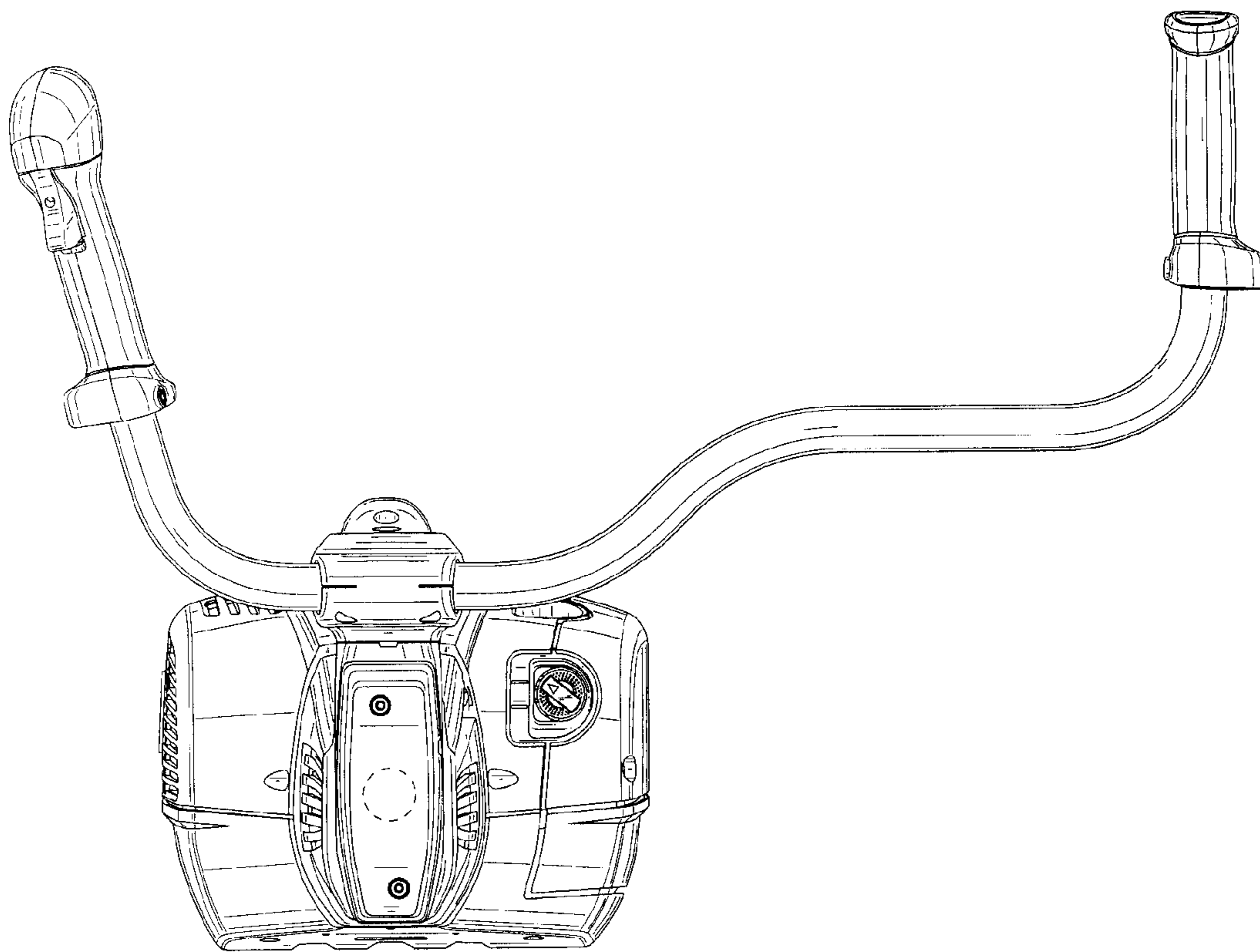


FIG. 2

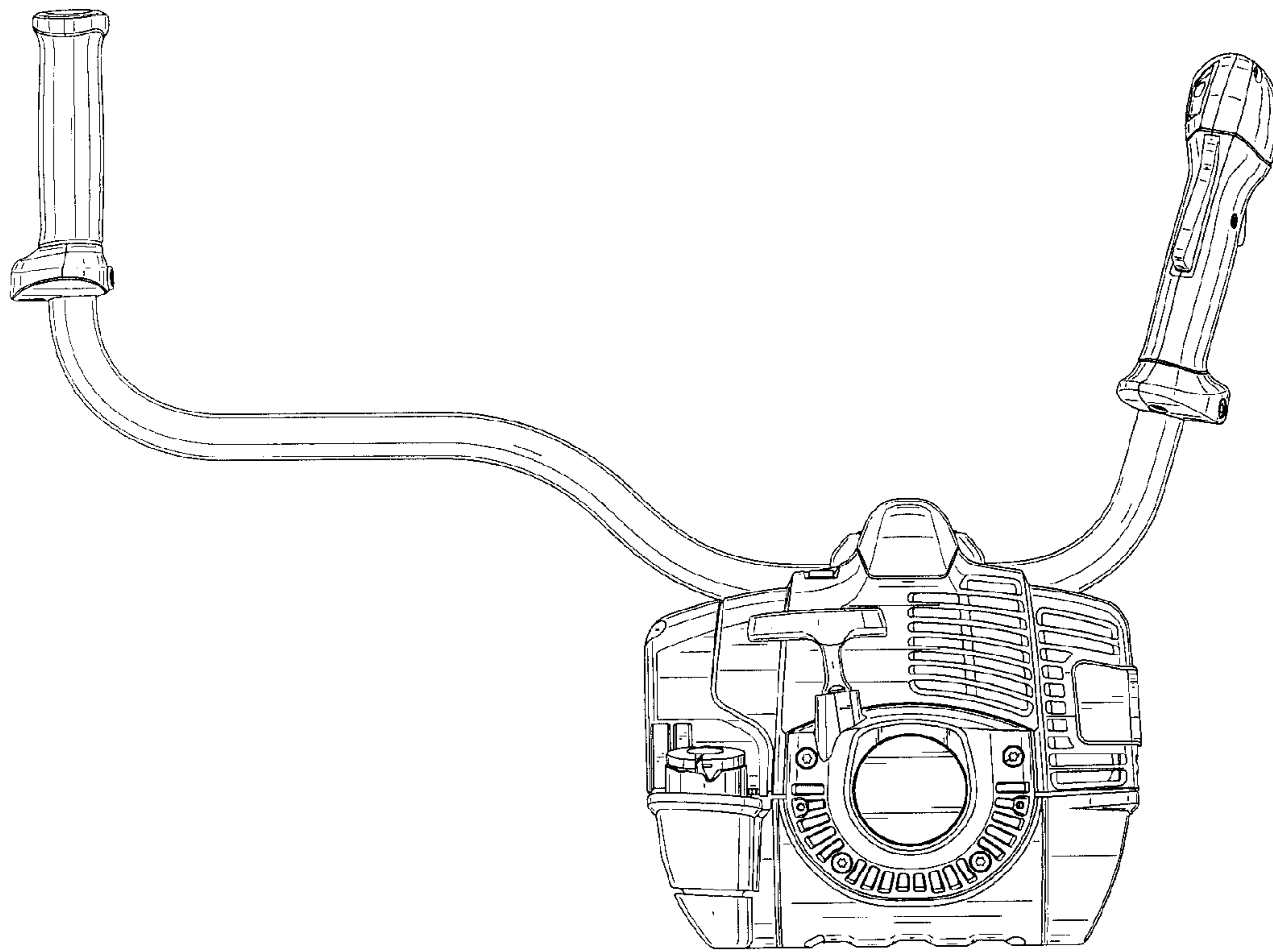


FIG. 3



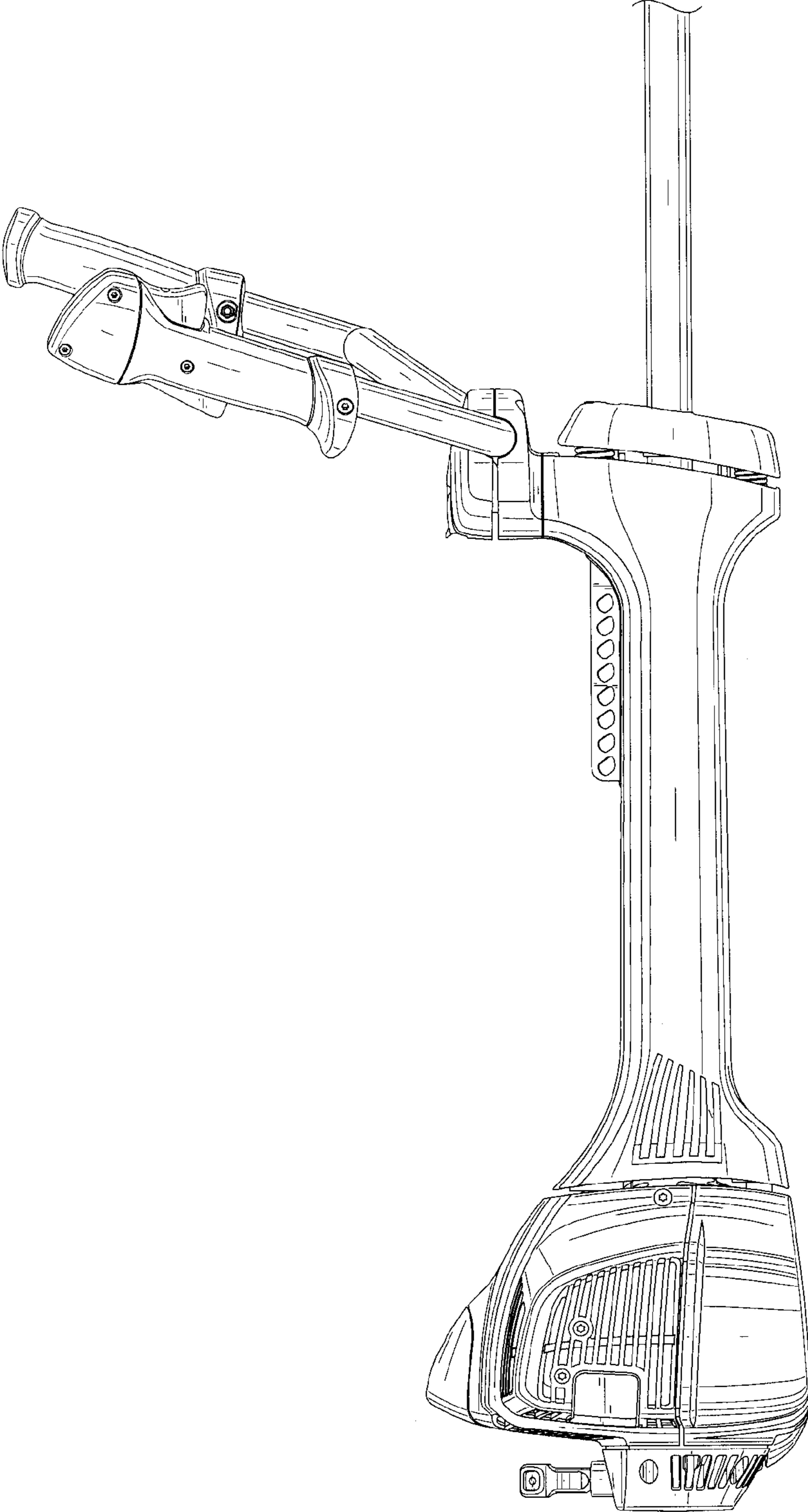


FIG. 4

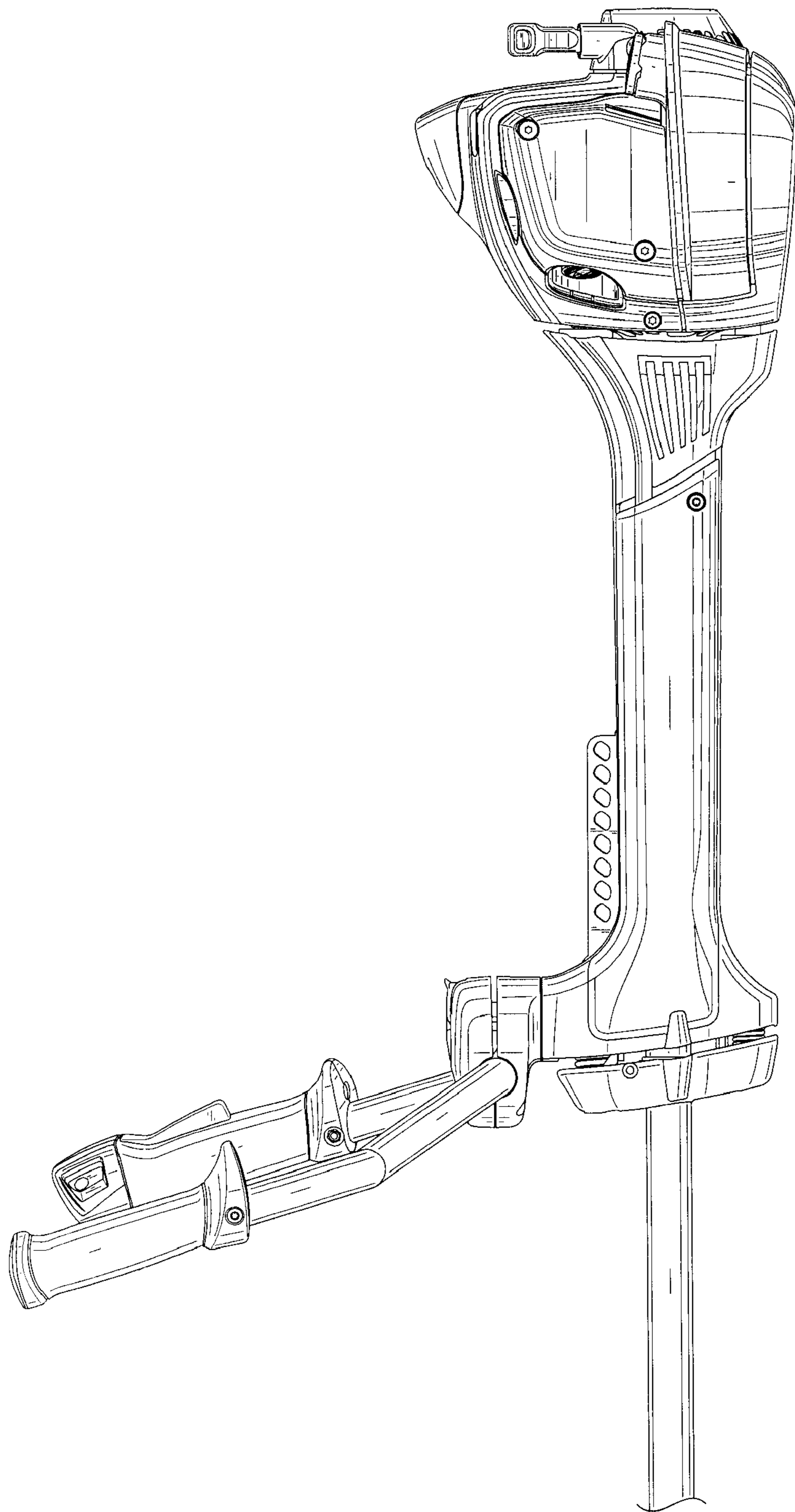


FIG. 5

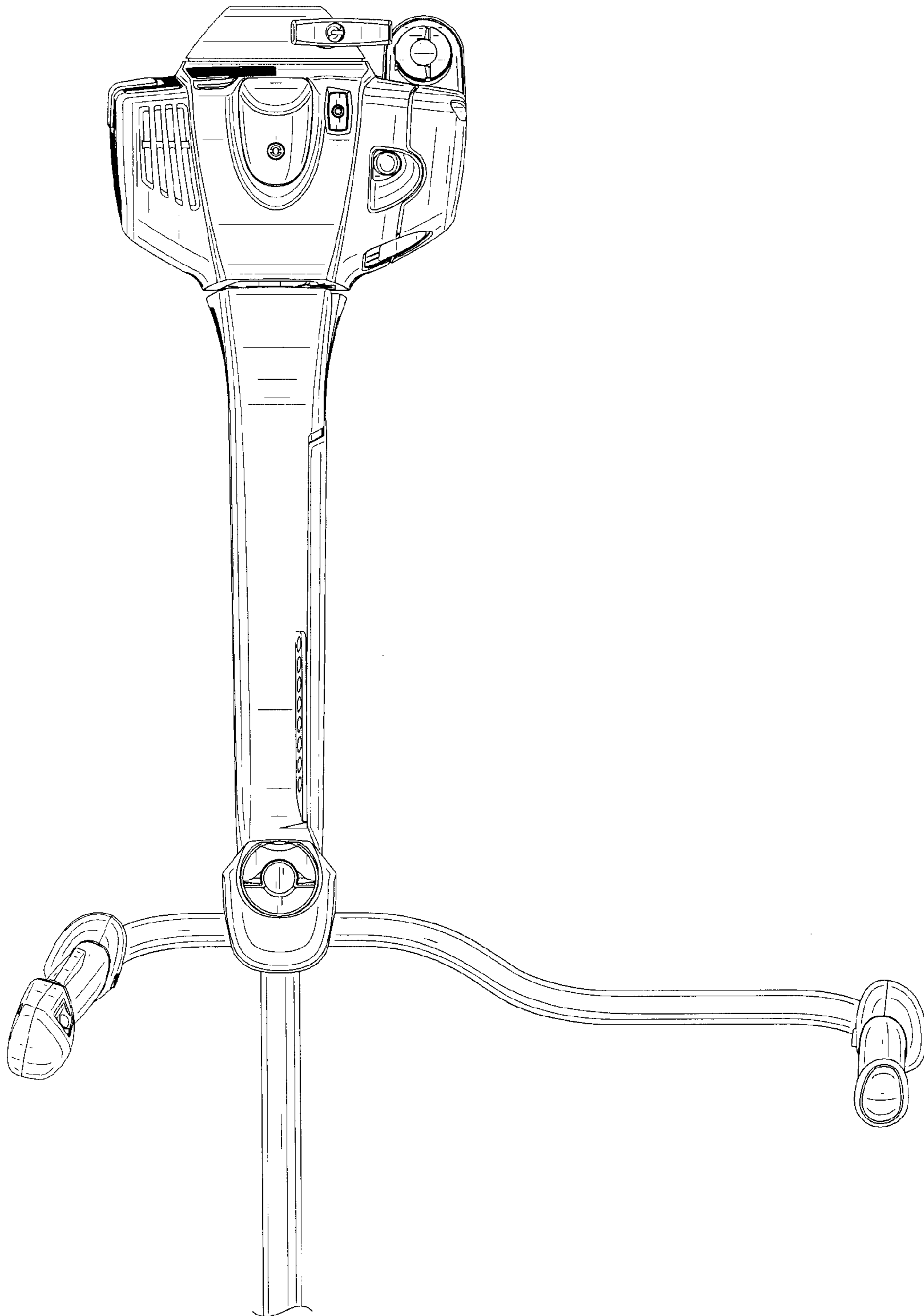


FIG. 6

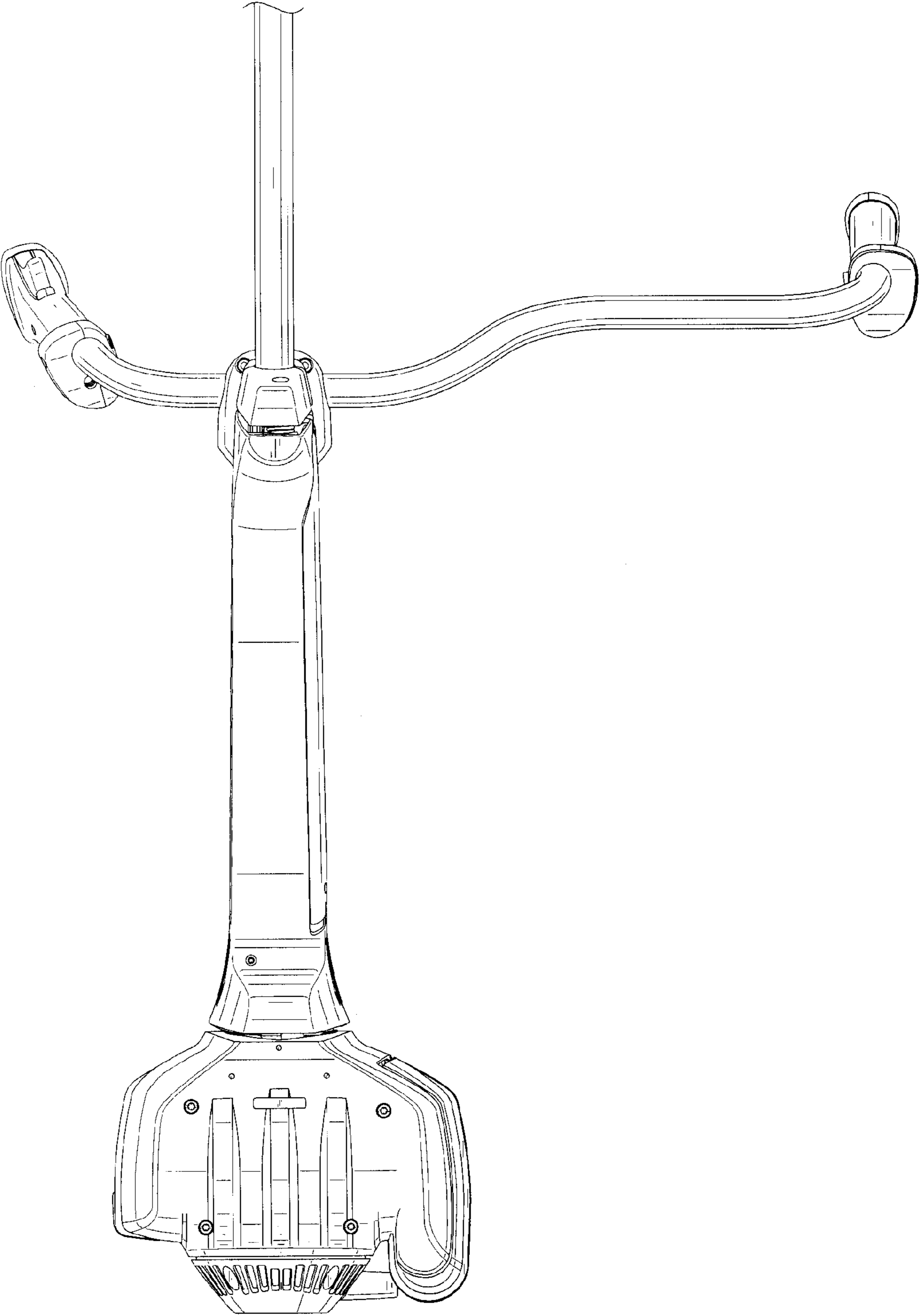


FIG. 7