



US00D648191S

(12) **United States Design Patent**  
**Thayer et al.**

(10) **Patent No.:** **US D648,191 S**  
(45) **Date of Patent:** **\*\* Nov. 8, 2011**

(54) **MULTI-PURPOSE MICRO-IRRIGATION TOOL**

D462,441 S \* 9/2002 Garner ..... D24/133  
D495,933 S \* 9/2004 Eldar ..... D8/1  
7,185,409 B1 \* 3/2007 Myers ..... 29/268

(75) Inventors: **Susan S. Thayer**, Lake Wales, FL (US);  
**Kenneth H. Angstadt**, Winter Haven,  
FL (US); **Dianne M. Halliday**, Winter  
Haven, FL (US); **Timothy D. Wert**, West  
Lakeland, FL (US)

\* cited by examiner

*Primary Examiner* — Robin V Webster

(74) *Attorney, Agent, or Firm* — Allen Dyer Doppelt  
Milbrath & Gilchrist

(73) Assignee: **Thayer Industries, Inc.**, Dundee, FL  
(US)

(57) **CLAIM**

The ornamental design for a multi-purpose micro-irrigation tool, as shown and described.

(\*\*) Term: **14 Years**

(21) Appl. No.: **29/355,458**

**DESCRIPTION**

(22) Filed: **Feb. 8, 2010**

(51) **LOC (9) Cl.** ..... **08-01**

(52) **U.S. Cl.** ..... **D8/1; D23/214**

(58) **Field of Classification Search** ..... D23/213,  
D23/214; D8/1, 14; 285/5; 239/271, 272;  
29/270, 268, 278

See application file for complete search history.

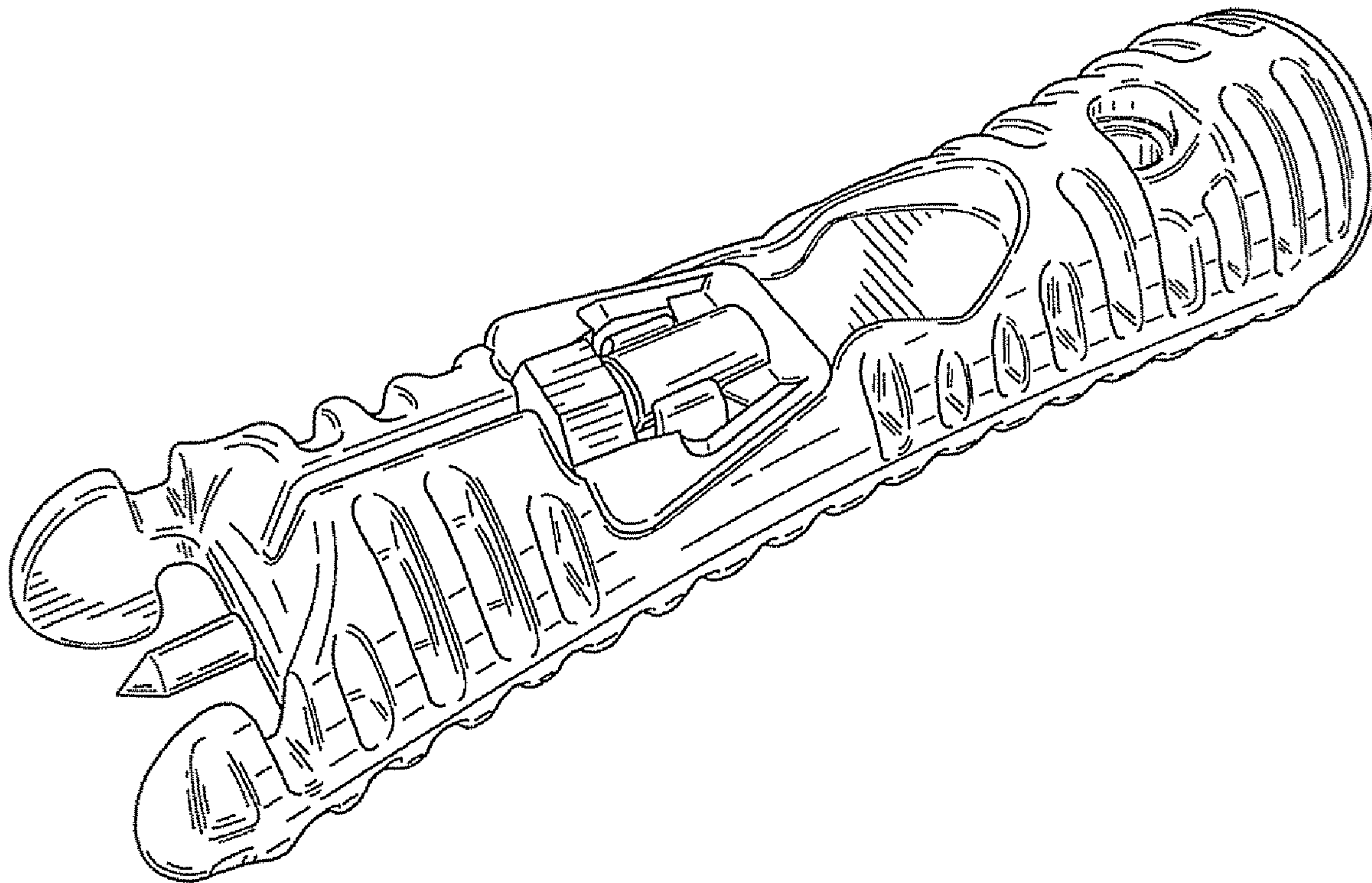
FIG. 1 is a top, left, front perspective view of a multi-purpose micro-irrigation tool, according to an embodiment of the present invention;  
FIG. 2 is a top, left, front perspective view of the tool in FIG. 1 in exploded position;  
FIG. 3 is a top view of the tool of FIG. 1;  
FIG. 4 is a bottom view of the tool of FIG. 1;  
FIG. 5 is a left side view of the tool of FIG. 1;  
FIG. 6 is a right side view of the tool of FIG. 1;  
FIG. 7 is a front view of the tool of FIG. 1; and,  
FIG. 8 is a rear view of the tool of FIG. 1.

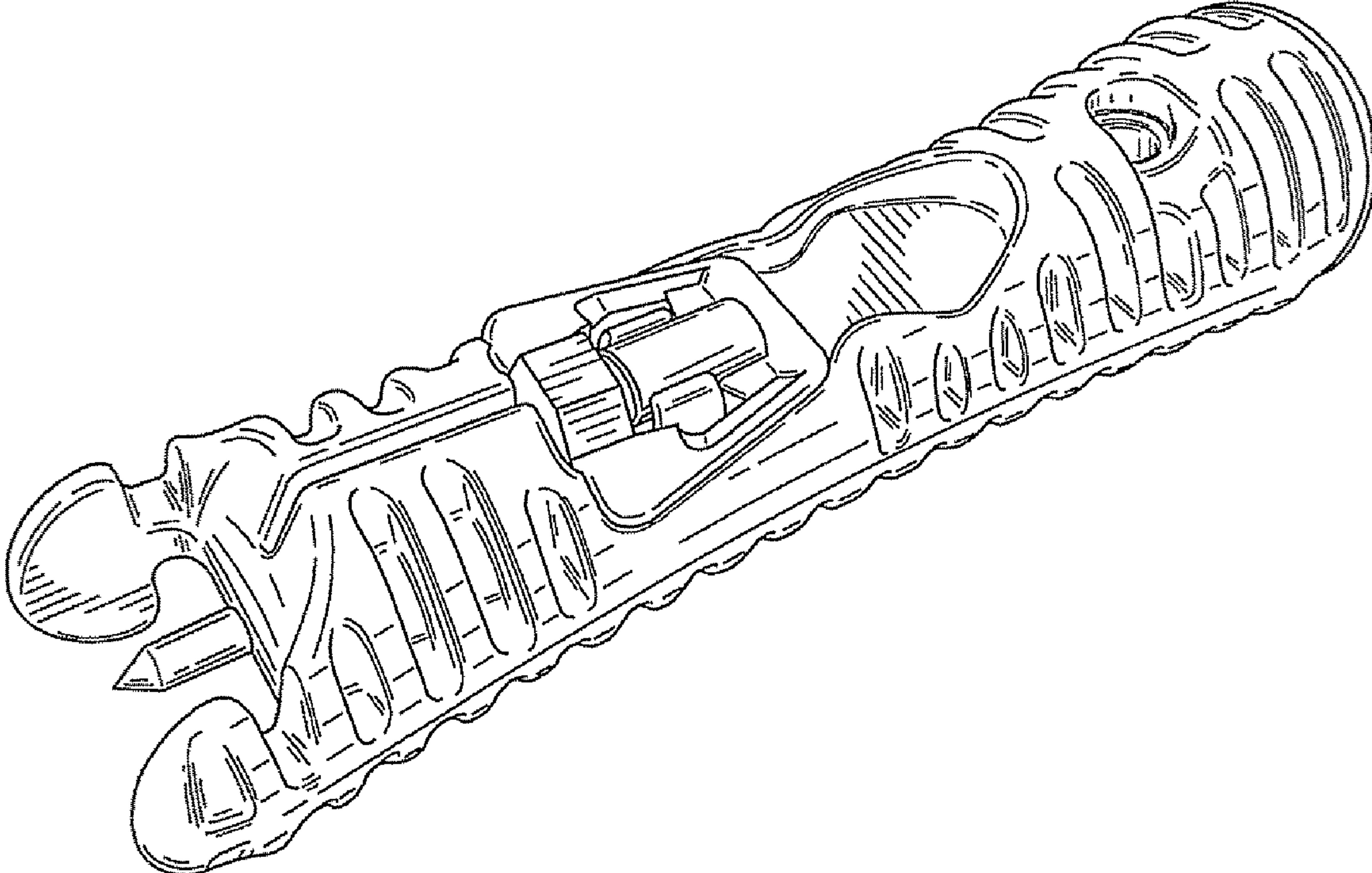
(56) **References Cited**

U.S. PATENT DOCUMENTS

5,177,846 A \* 1/1993 Bryant ..... 29/237  
5,956,832 A \* 9/1999 Reagan ..... 29/278

**1 Claim, 4 Drawing Sheets**





**FIG. 1**

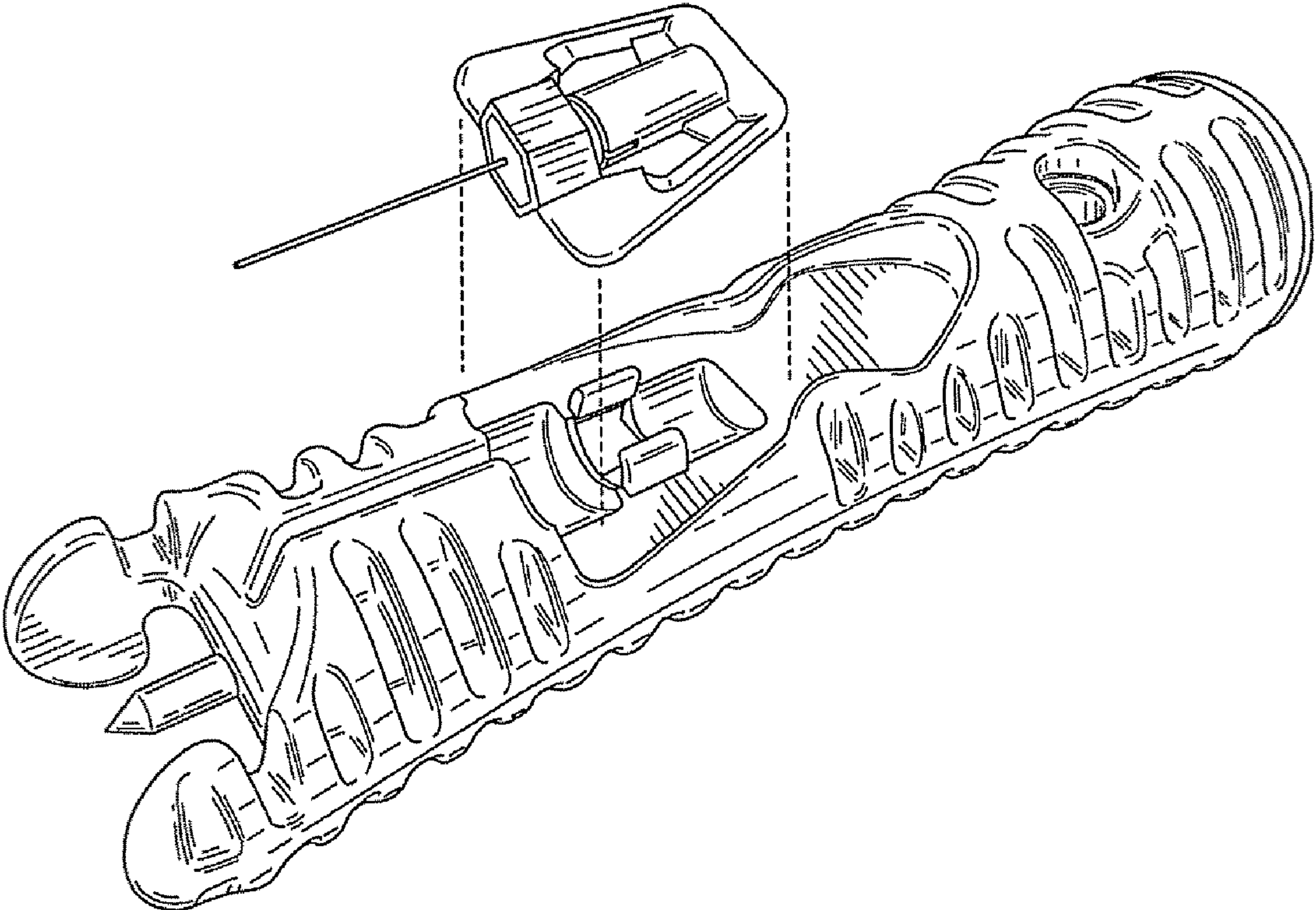


FIG. 2



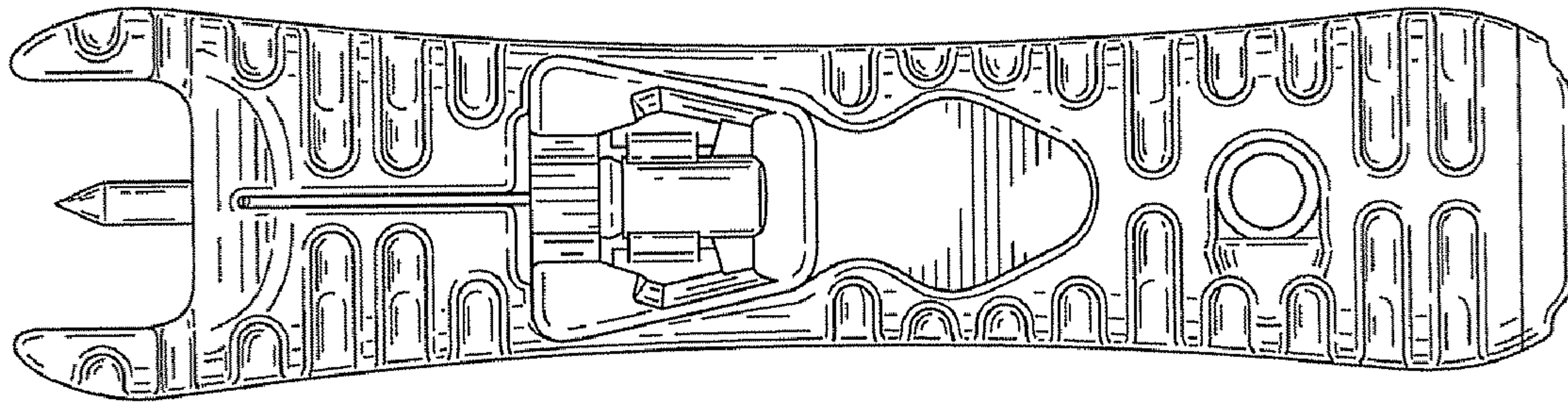


FIG. 3

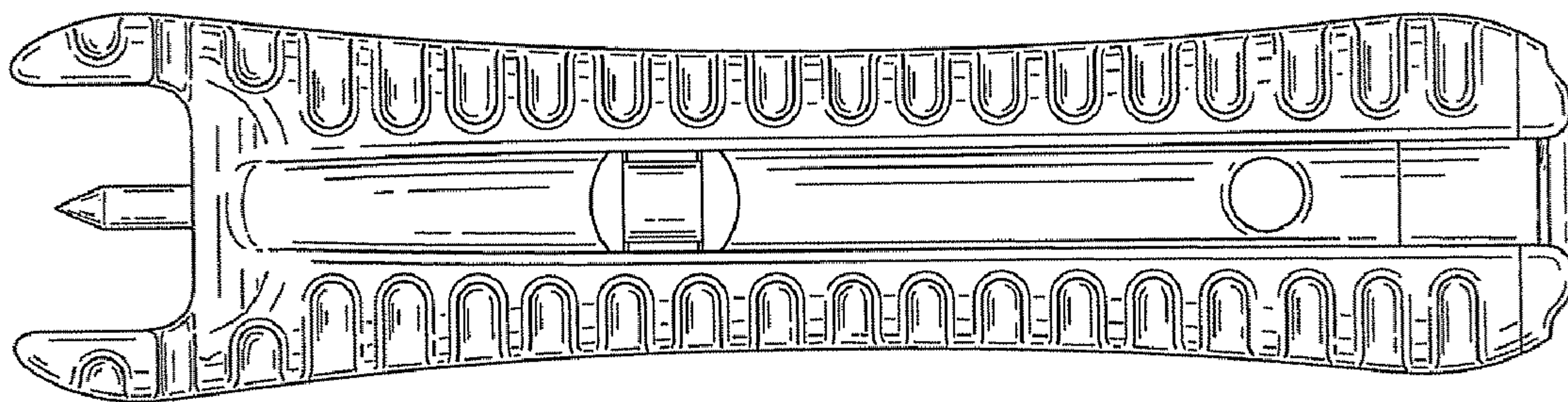


FIG. 4

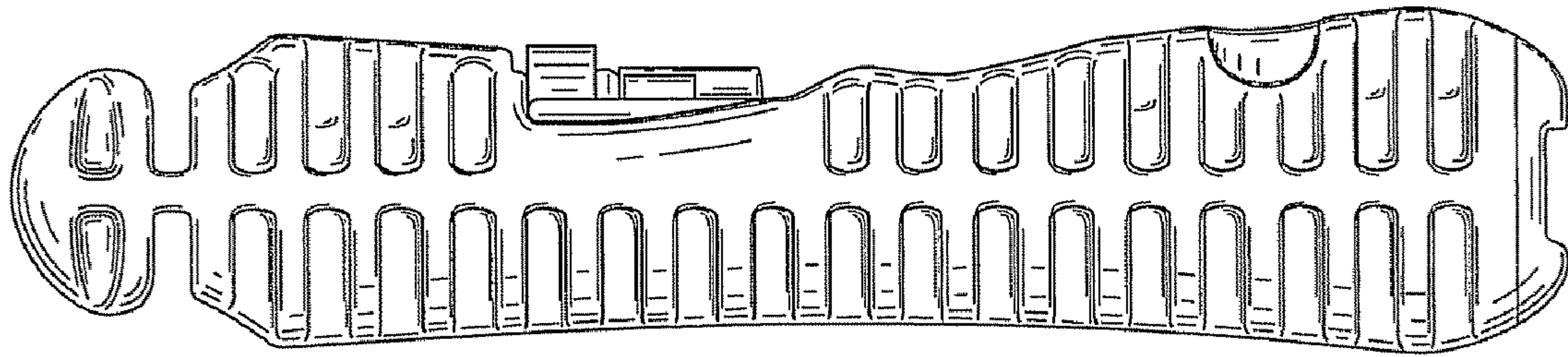


FIG. 5

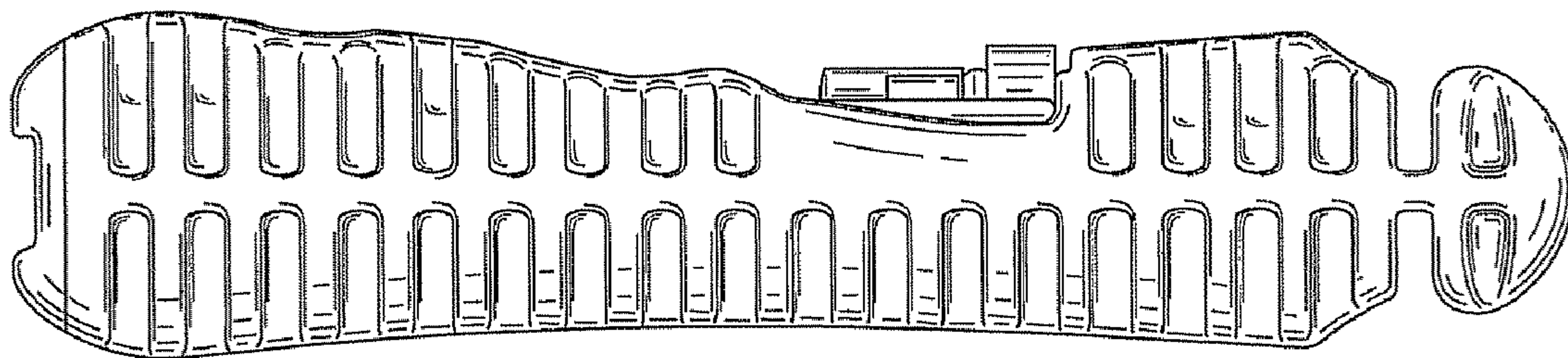


FIG. 6

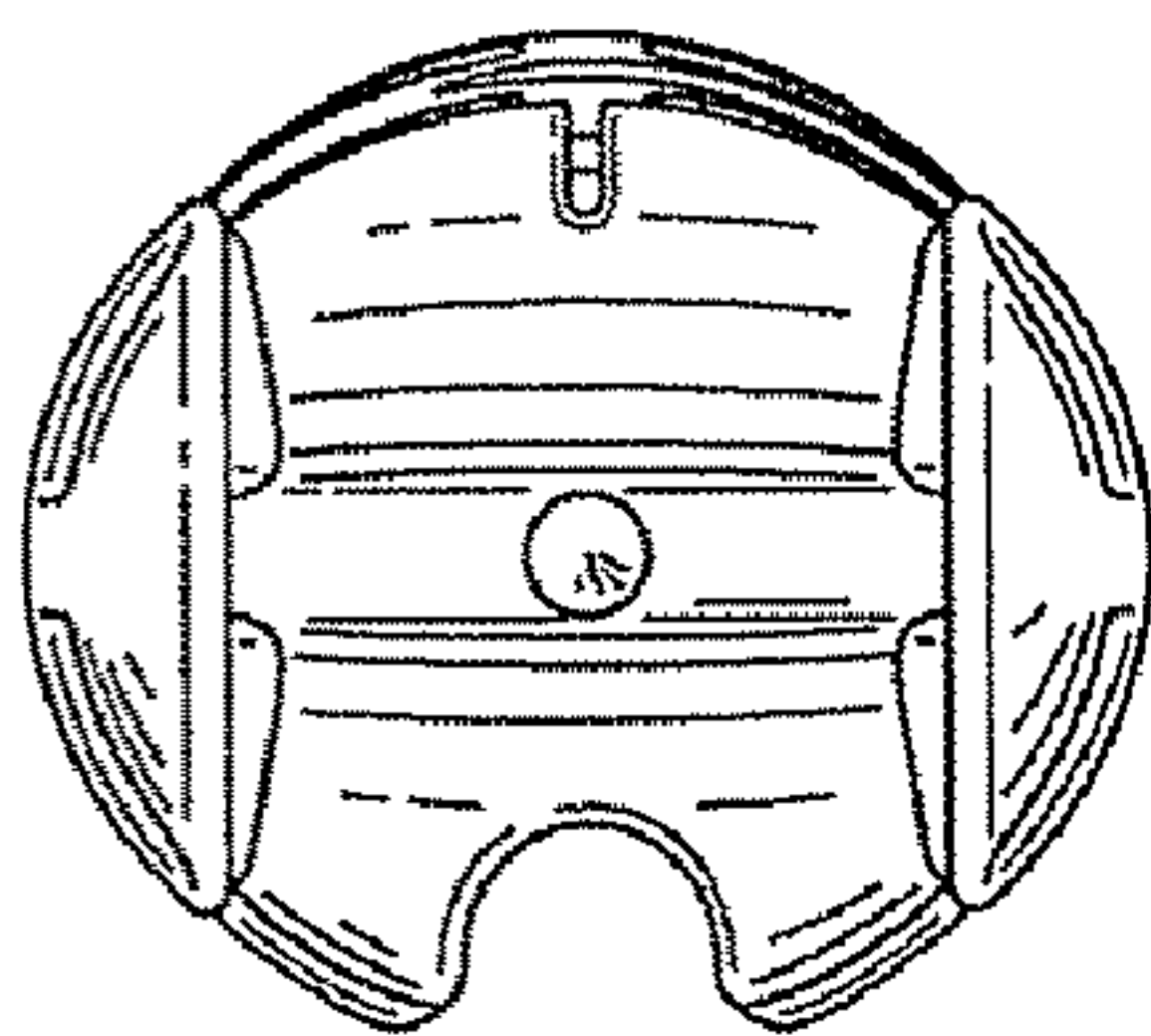


FIG. 7

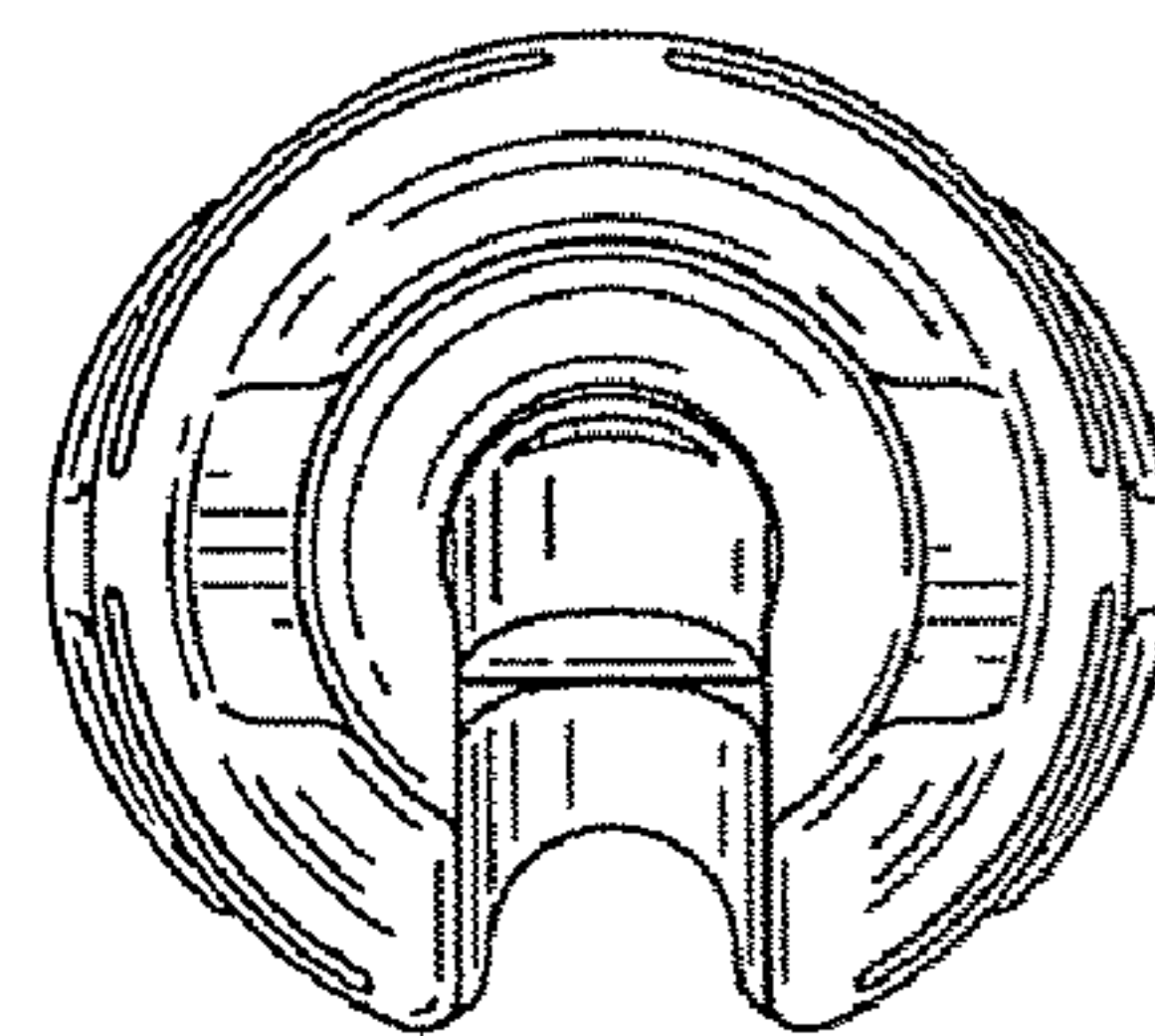


FIG. 8