



US00D648190S

(12) **United States Design Patent**
Steiner et al.

(10) **Patent No.:** **US D648,190 S**
(45) **Date of Patent:** **** Nov. 8, 2011**

(54) **COFFEE PREPARATION SCOOP**
(75) Inventors: **Mark C. Steiner**, Midlothian, VA (US);
Mark K. Romandy, Midlothian, VA
(US)

(73) Assignee: **Hamilton Beach Brands, Inc**, Glen
Allen, VA (US)

(**) Term: **14 Years**

(21) Appl. No.: **29/386,201**

(22) Filed: **Feb. 25, 2011**

(51) **LOC (9) Cl.** **07-02**

(52) **U.S. Cl.** **D7/691; D10/46.2**

(58) **Field of Classification Search** D7/691,
D7/692, 395, 393, 368, 669; D10/46.2, 46.3;
73/426-429; 30/324-328

See application file for complete search history.

- D468,597 S 1/2003 Kerr
- D486,745 S 2/2004 Mastroianni
- D497,278 S 10/2004 Picozza
- D498,110 S 11/2004 Picozza
- D502,053 S 2/2005 Bodum
- D518,391 S 4/2006 McGuyer
- D575,571 S 8/2008 Hammad
- D582,714 S 12/2008 Hensel
- D588,947 S 3/2009 Curtin
- D615,424 S 5/2010 Hull
- D630,039 S 1/2011 Lin

* cited by examiner

Primary Examiner — Terry Wallace

(74) *Attorney, Agent, or Firm* — Alexander D. Raring

(57) **CLAIM**

The ornamental design for a coffee preparation scoop, as shown and described.

DESCRIPTION

FIG. 1 is a perspective view as seen from the top, front and left side of a coffee preparation scoop showing the new design; FIG. 2 is a rear view thereof; FIG. 3 is a front view thereof; FIG. 4 is a left side view thereof; FIG. 5 is a right side view thereof; FIG. 6 is a top view thereof; and, FIG. 7 is a bottom view thereof.

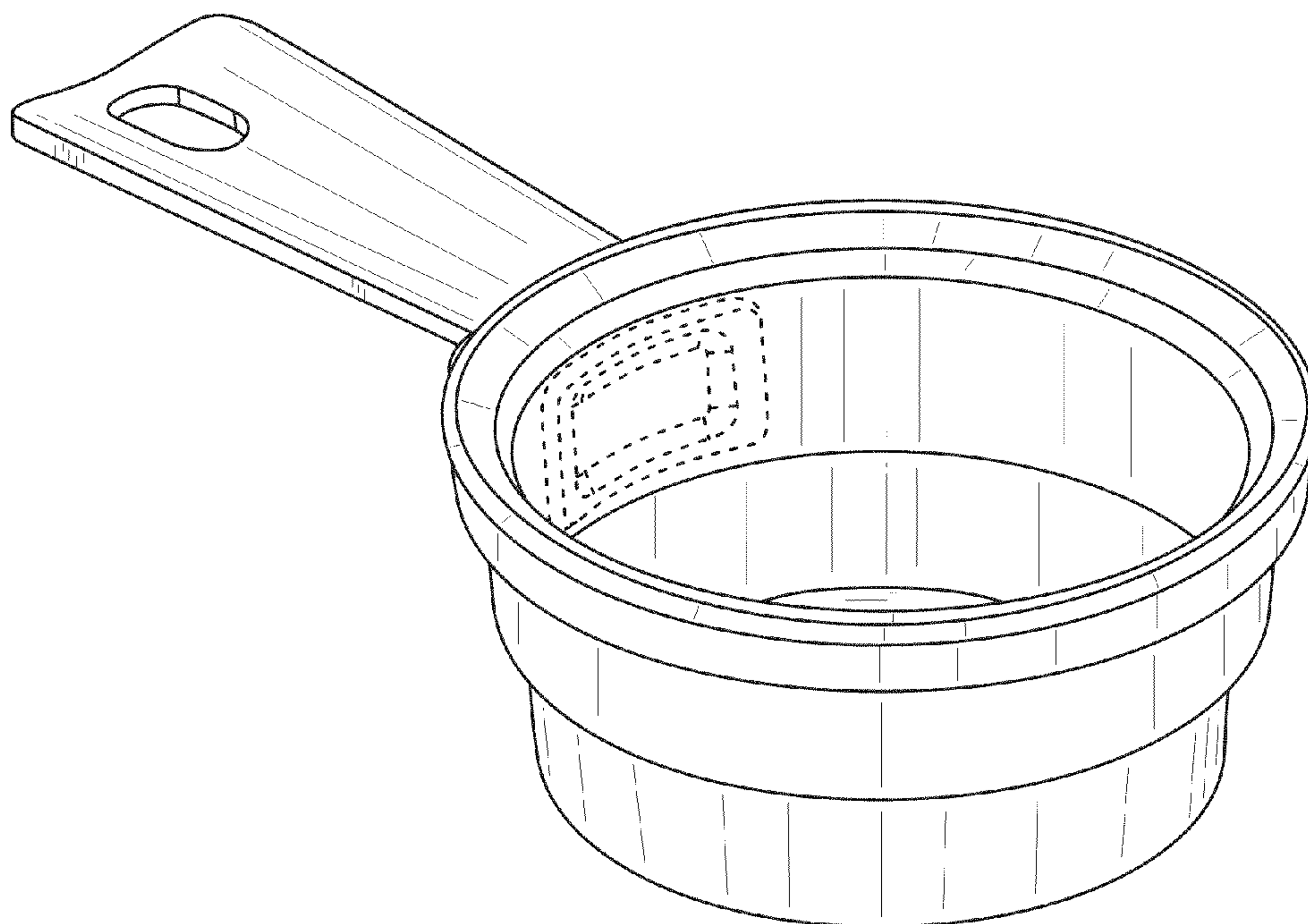
The broken lines in the drawings are included for illustrative purposes only and form no part of the claimed design.

1 Claim, 6 Drawing Sheets

(56) **References Cited**

U.S. PATENT DOCUMENTS

- D259,461 S * 6/1981 Daenen et al. D10/46.2
- D259,462 S 6/1981 Daenen
- D268,886 S 5/1983 Kelson
- D269,239 S 6/1983 Kelson
- D269,240 S * 6/1983 Kelson D10/46.2
- D269,241 S 6/1983 Kelson
- D275,063 S 8/1984 Greene
- D296,644 S 7/1988 Stevens
- D394,217 S 5/1998 Laib
- D412,448 S * 8/1999 Bentson D10/46.2
- D456,221 S 4/2002 Tse



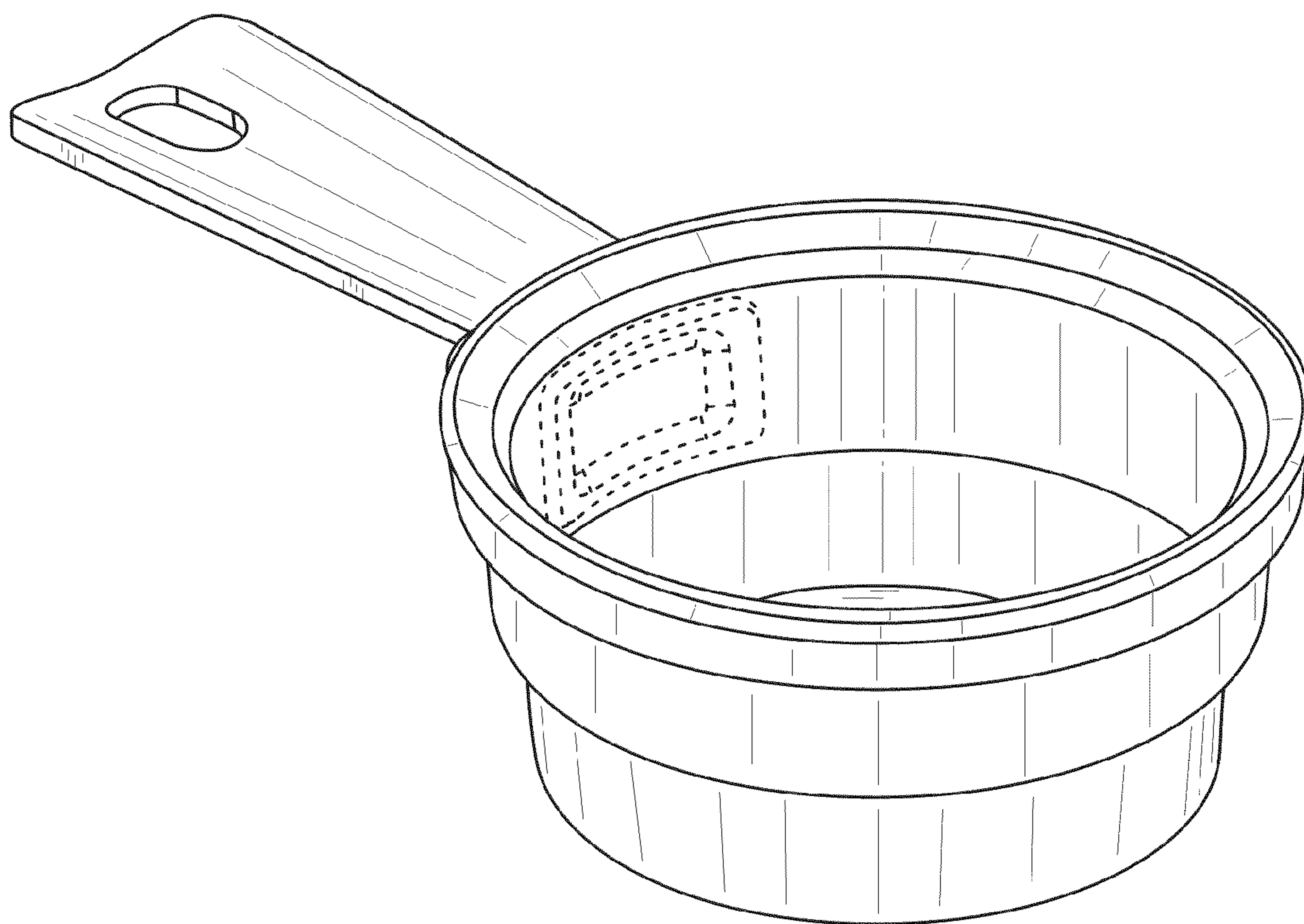


FIG. 1

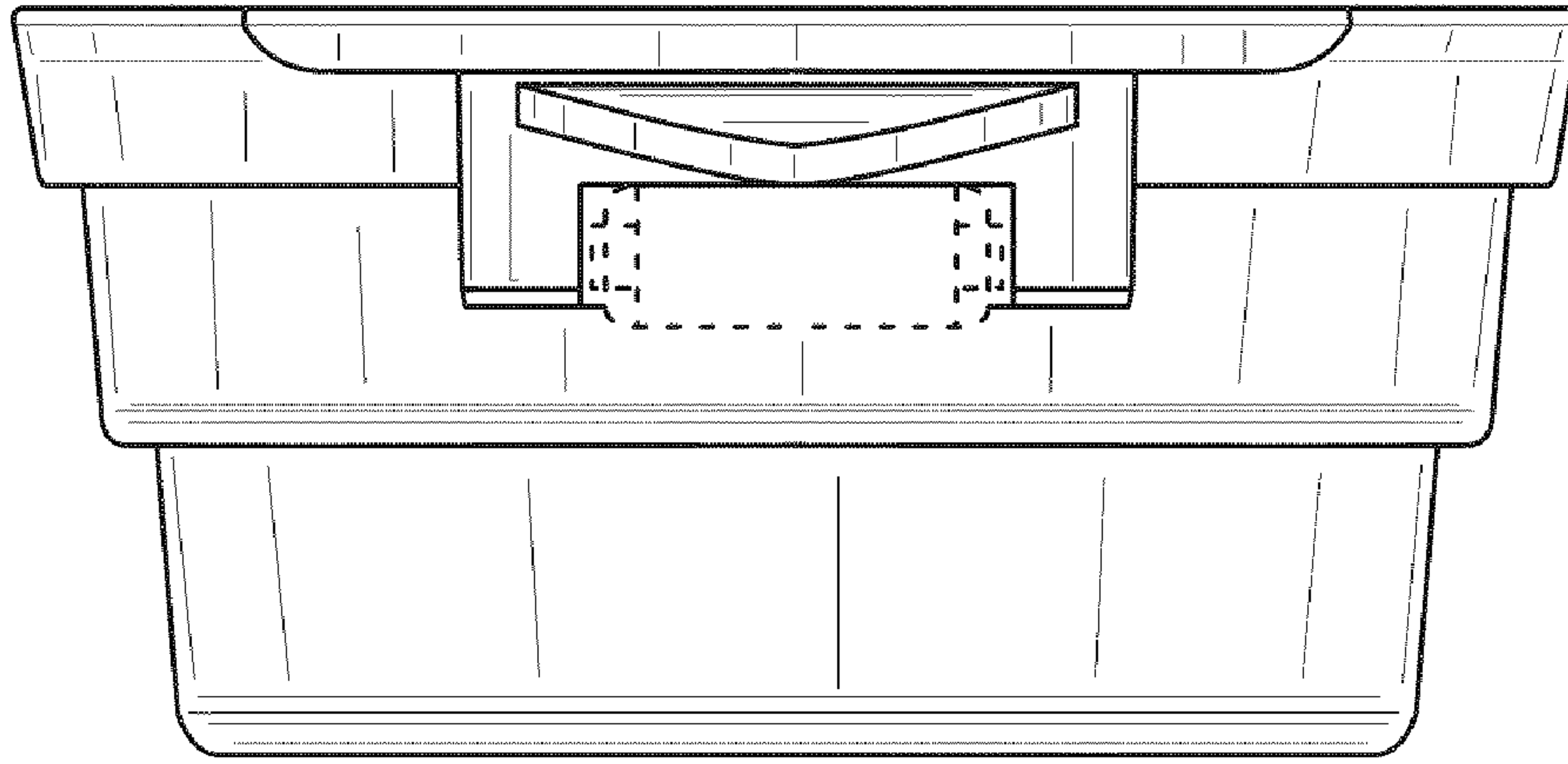


FIG. 2

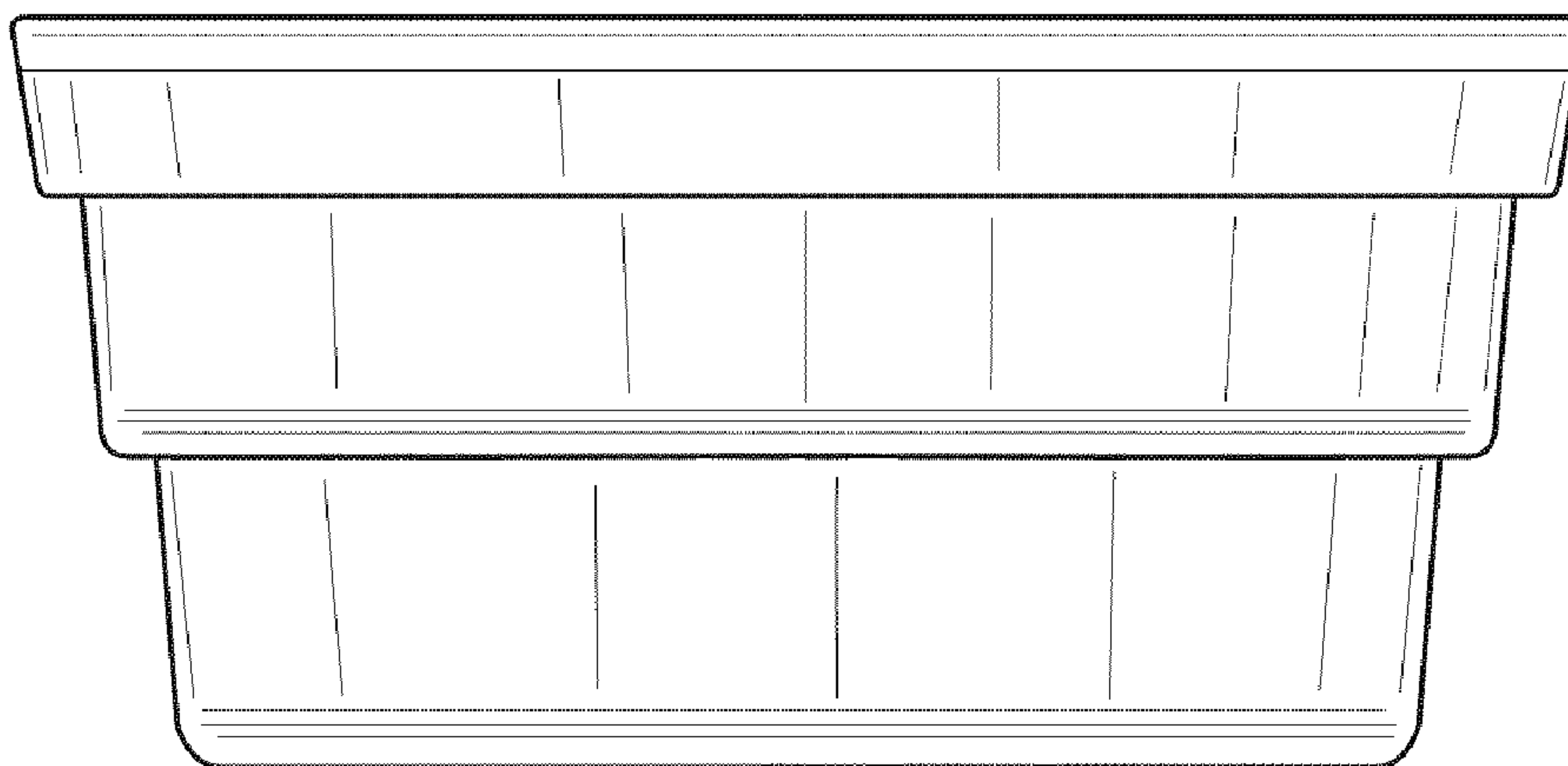


FIG. 3

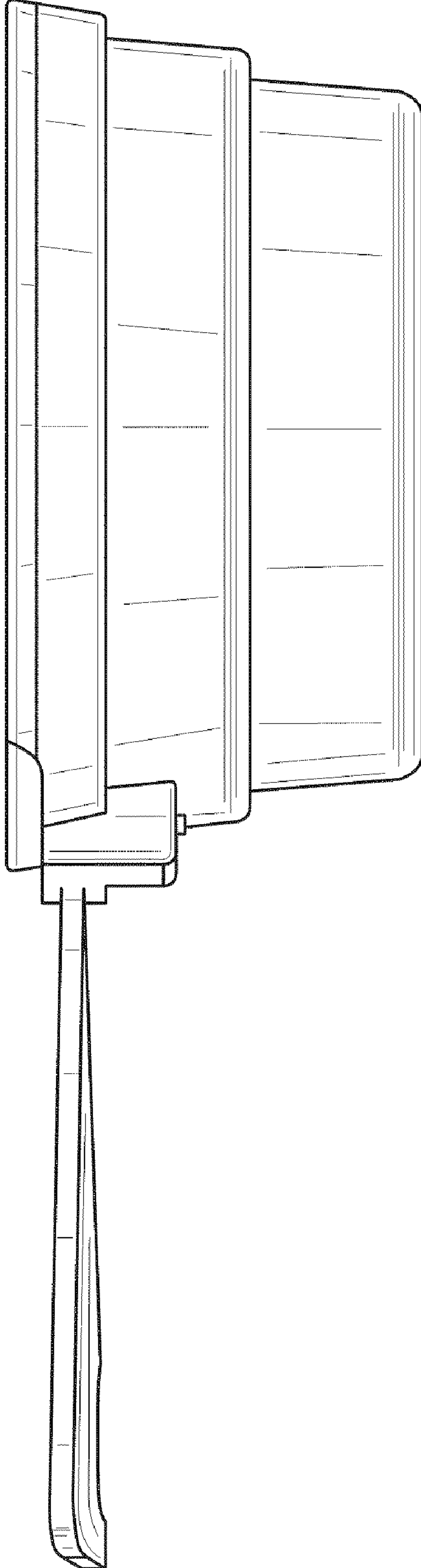


FIG. 4

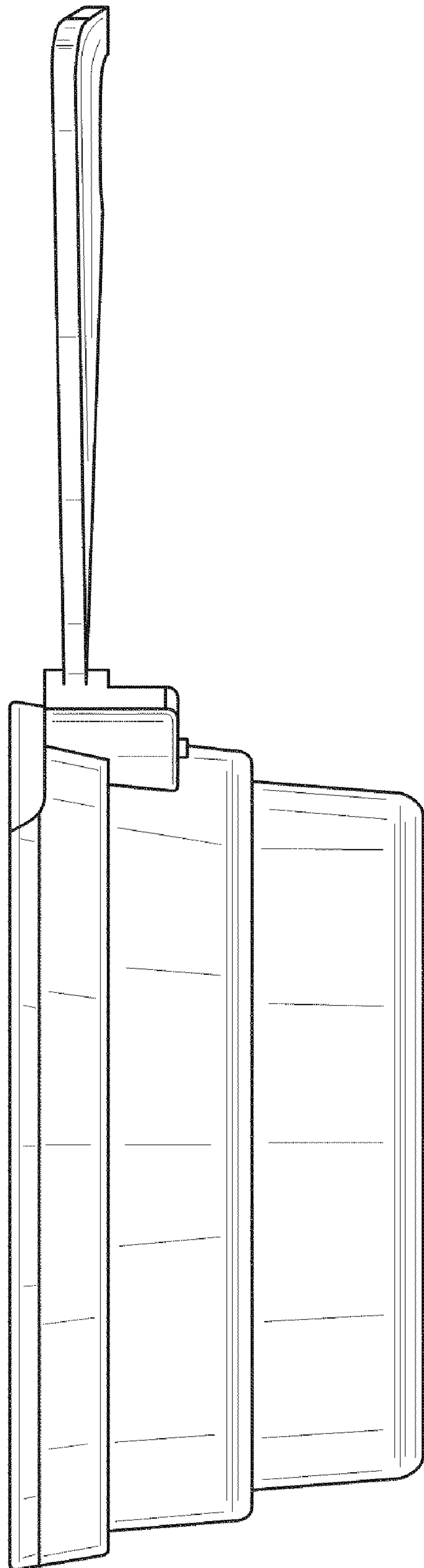


FIG. 5

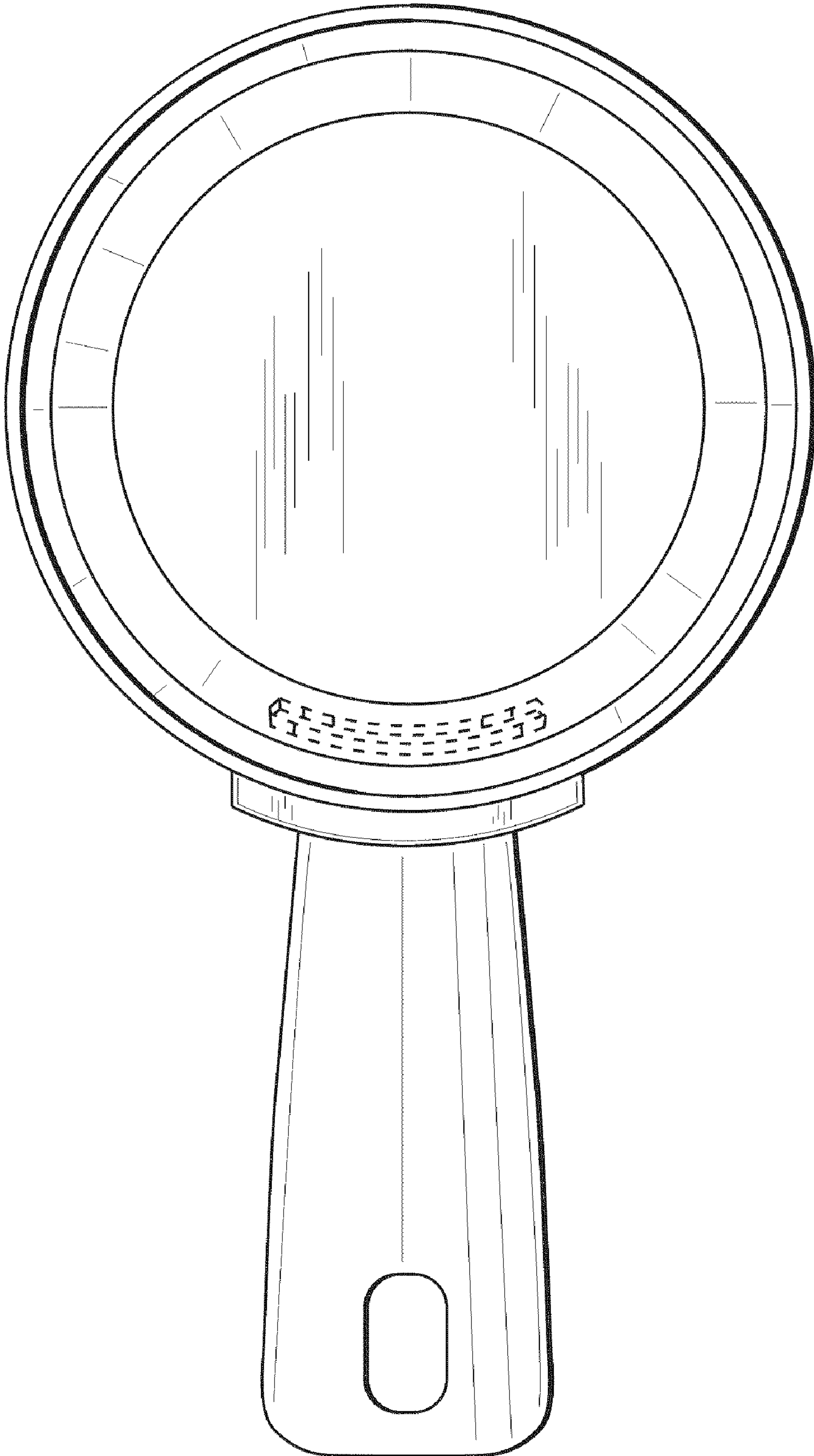


FIG. 6

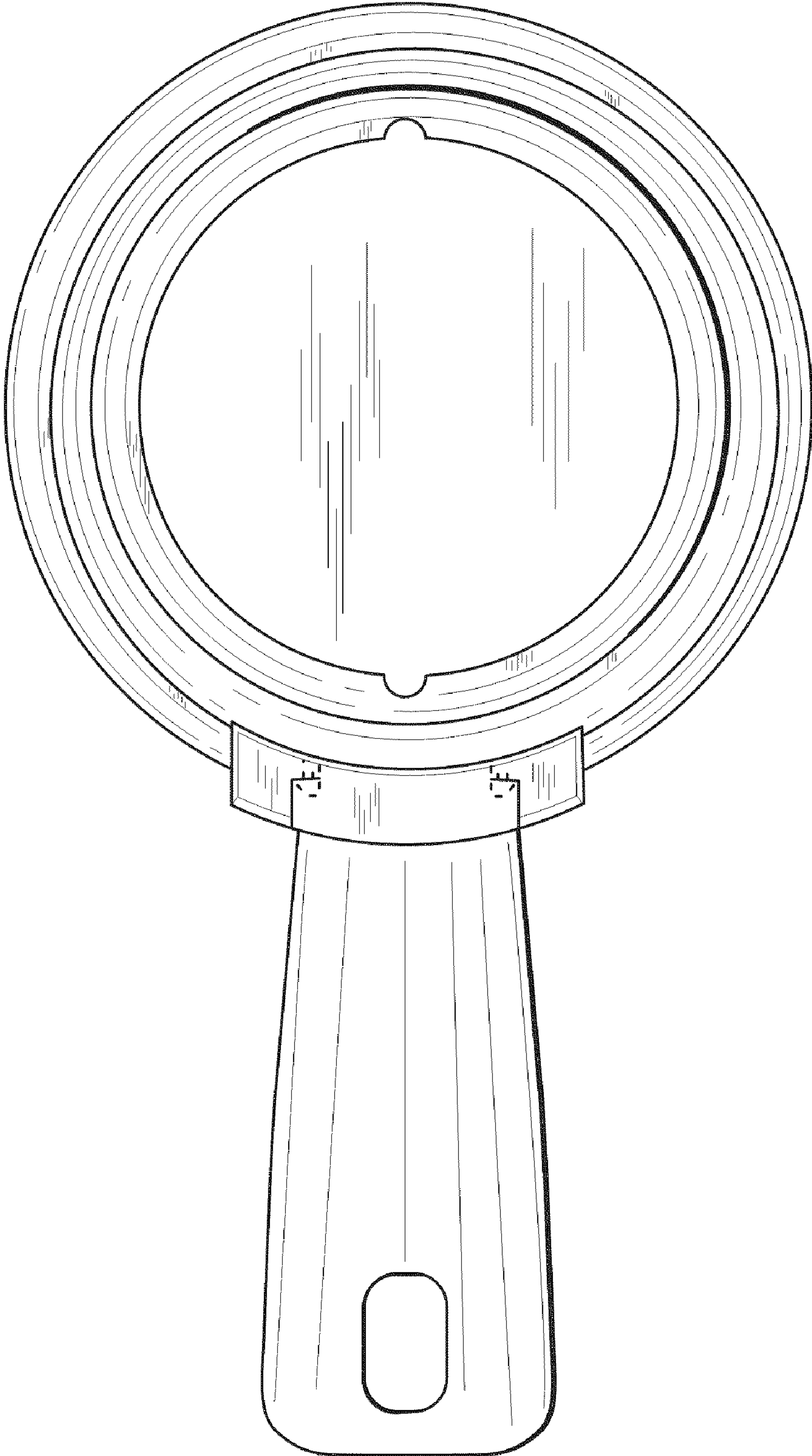


FIG. 7