



US00D648187S

(12) **United States Design Patent**
Kuehneman et al.

(10) **Patent No.:** **US D648,187 S**

(45) **Date of Patent:** **** *Nov. 8, 2011**

(54) **PAPER PRODUCT DISPENSER**

(75) Inventors: **Bret A. Kuehneman**, Neenah, WI (US);
Rachel E. DeSmidt, Madison, WI (US);
Daniel R. Nett, Sun Prairie, WI (US);
Andy Lee Kirkpatrick, Green Bay, WI
(US); **Michael Kilgore**, Little Suamico,
WI (US); **Robert Cornell**, Rothschild,
WI (US); **William Lindeman**, Marshall,
WI (US); **Cathy Lindeman**, legal
representative, Marshall, WI (US)

(73) Assignee: **Georgia-Pacific Consumer Products
LP**, Atlanta, GA (US)

(*) Notice: This patent is subject to a terminal dis-
claimer.

(**) Term: **14 Years**

(21) Appl. No.: **29/328,575**

(22) Filed: **Nov. 26, 2008**

(51) **LOC (9) Cl.** **07-06**

(52) **U.S. Cl.** **D7/631**

(58) **Field of Classification Search** D7/631-634,
D7/601; D6/518; 221/33, 36-38, 47-48,
221/51-54, 208, 227, 279, 282, 284; 206/233,
206/494

See application file for complete search history.

(56) **References Cited**

U.S. PATENT DOCUMENTS

348,379	A	8/1886	Caesar
2,426,136	A	8/1947	Agamaite, Jr. et al.
2,852,158	A	9/1958	Jones et al.
3,473,672	A	10/1969	Fincher et al.
3,878,966	A	4/1975	Haboush
4,155,484	A	5/1979	Pastore
4,679,703	A	7/1987	De Luca
4,838,454	A	6/1989	Salzmann et al.
5,076,466	A	12/1991	Petterson et al.
5,090,592	A	2/1992	Petterson et al.
5,102,007	A	4/1992	Petterson et al.
5,156,293	A	10/1992	Petterson et al.

D331,515	S	12/1992	Petterson et al.	
D357,938	S *	5/1995	Wolff	D19/86
D371,708	S	7/1996	Haley et al.	
D379,569	S	6/1997	Strickland et al.	
6,257,443	B1	7/2001	LaCount	
6,585,129	B2	7/2003	Moody et al.	
D493,312	S *	7/2004	Collins et al.	D6/518

(Continued)

Primary Examiner — Ian Simmons

Assistant Examiner — Dana L Sipos

(74) *Attorney, Agent, or Firm* — William W. Letson

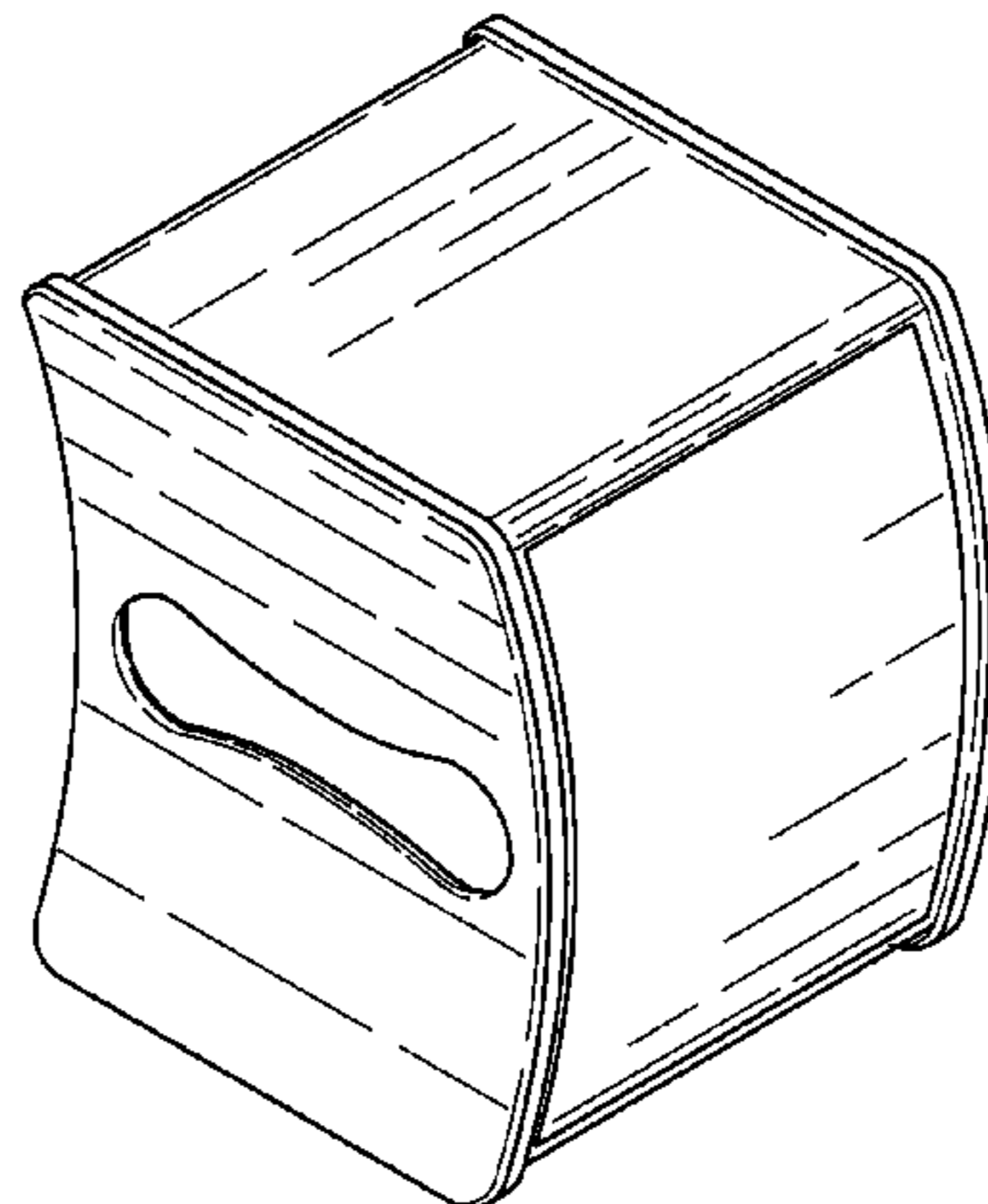
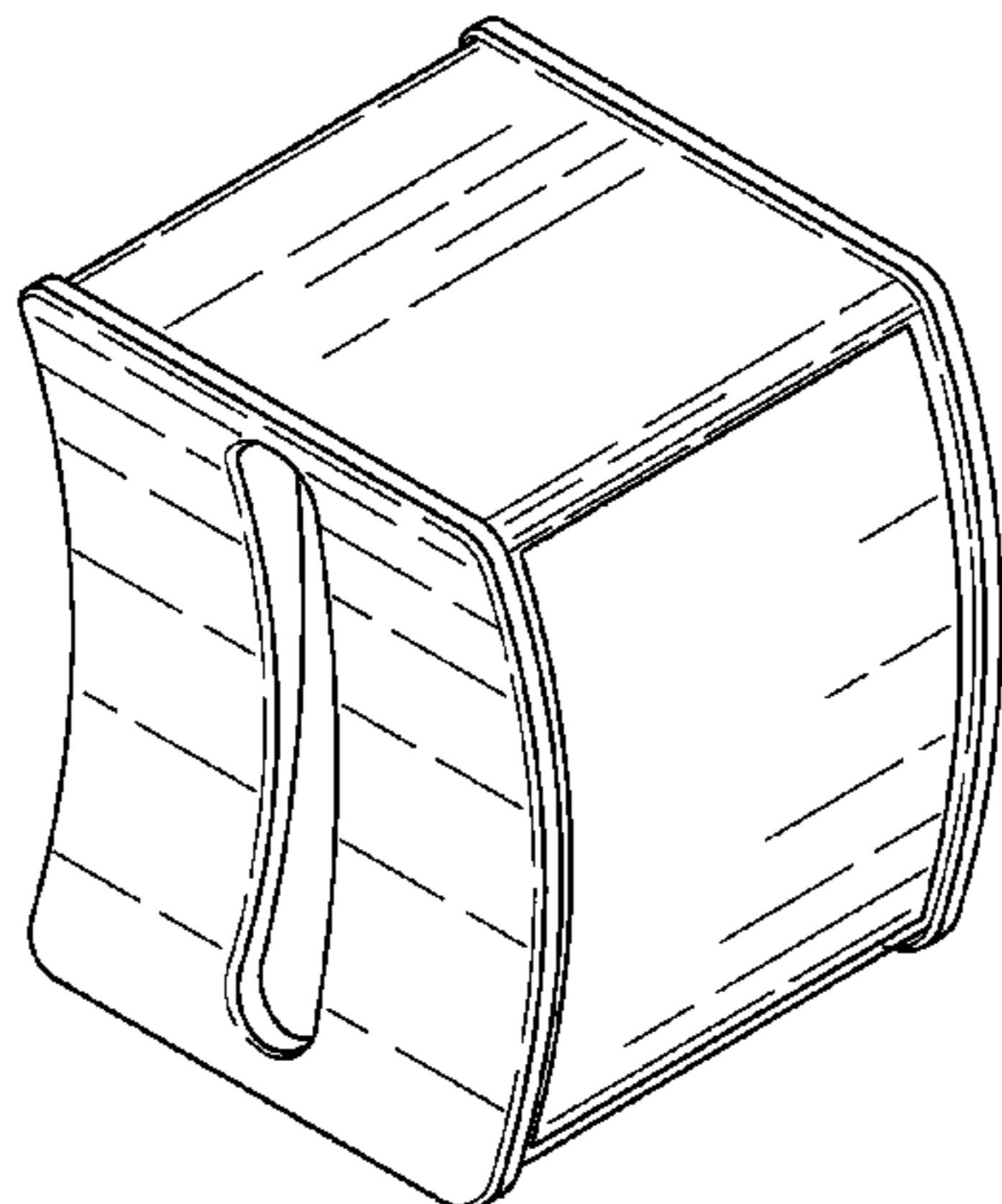
(57) **CLAIM**

We claim, the ornamental design for a paper product dis-
penser, as shown and described.

DESCRIPTION

FIG. 1 is a front perspective view of a paper product dis-
penser, showing our new design;
FIG. 2 is a front elevation view thereof,
FIG. 3 is a rear elevation view thereof;
FIG. 4 is a side view thereof taken from the right of FIG. 2, the
opposite side view being a mirror image;
FIG. 5 is a top plan view thereof;
FIG. 6 is bottom plan view thereof;
FIG. 7 is a front perspective view thereof in another embodi-
ment;
FIG. 8 is a front elevation view thereof,
FIG. 9 is a rear elevation view thereof;
FIG. 10 is a side view thereof taken from the right of FIG. 8,
the opposite side view being a mirror image;
FIG. 11 is a top plan view thereof;
FIG. 12 is bottom plan view thereof;
FIG. 13 is a front perspective view thereof in another embodi-
ment;
FIG. 14 is a front elevation view thereof,
FIG. 15 is a rear elevation view thereof;
FIG. 16 is a side view thereof taken from the right of FIG. 14,
the opposite side view being a mirror image;
FIG. 17 is a top plan view thereof; and,
FIG. 18 is bottom plan view thereof.
The broken lines in the drawings illustrate the portions of the
design that form no part of the claim.

1 Claim, 12 Drawing Sheets



US D648,187 S

Page 2

U.S. PATENT DOCUMENTS

6,899,251	B2	5/2005	Christensen et al.						
6,981,610	B2	1/2006	Smiley et al.						
D526,165	S	8/2006	Burns et al.						
D526,859	S *	8/2006	Zeiron	D7/631					
D527,587	S *	9/2006	Zeiron	D7/631					
D528,871	S	9/2006	Zeiron						
7,134,571	B2	11/2006	Hochtritt et al.						
D571,159	S	6/2008	Pommier et al.						
7,543,719	B2	6/2009	Young et al.						
					D604,996	S *	12/2009	Kuehneman et al.	D7/631
					D604,997	S *	12/2009	Kuehneman et al.	D7/631
					2003/0019880	A1	1/2003	Timmers et al.	
					2003/0062375	A1	4/2003	Christensen et al.	
					2003/0192903	A1	10/2003	Sauer et al.	
					2005/0056657	A1	3/2005	Hochtritt et al.	
					2005/0150898	A1	7/2005	Young et al.	
					2006/0071012	A1	4/2006	Reinsel et al.	
					2008/0257903	A1	10/2008	Hirasawa et al.	

* cited by examiner

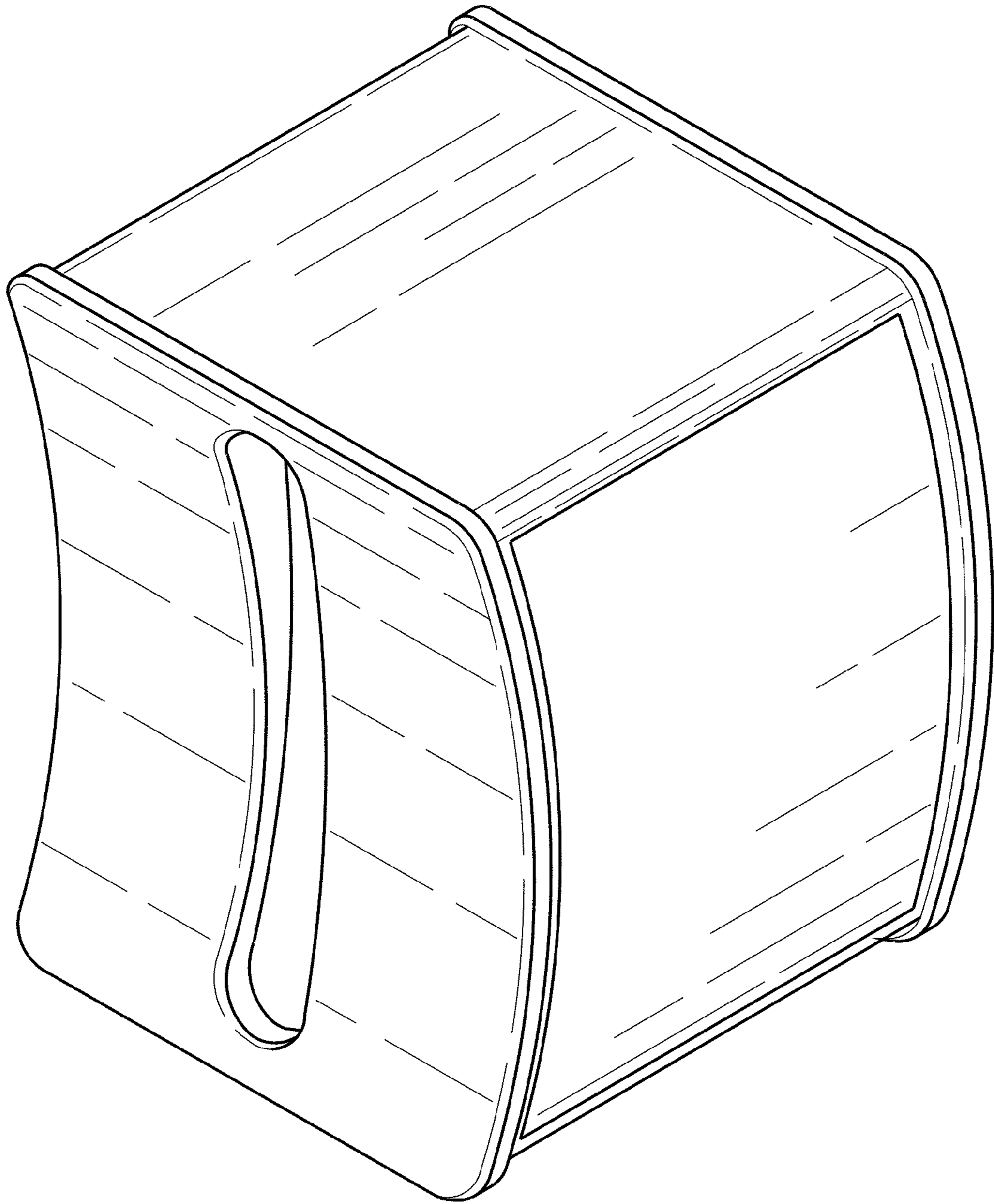


Fig. 1

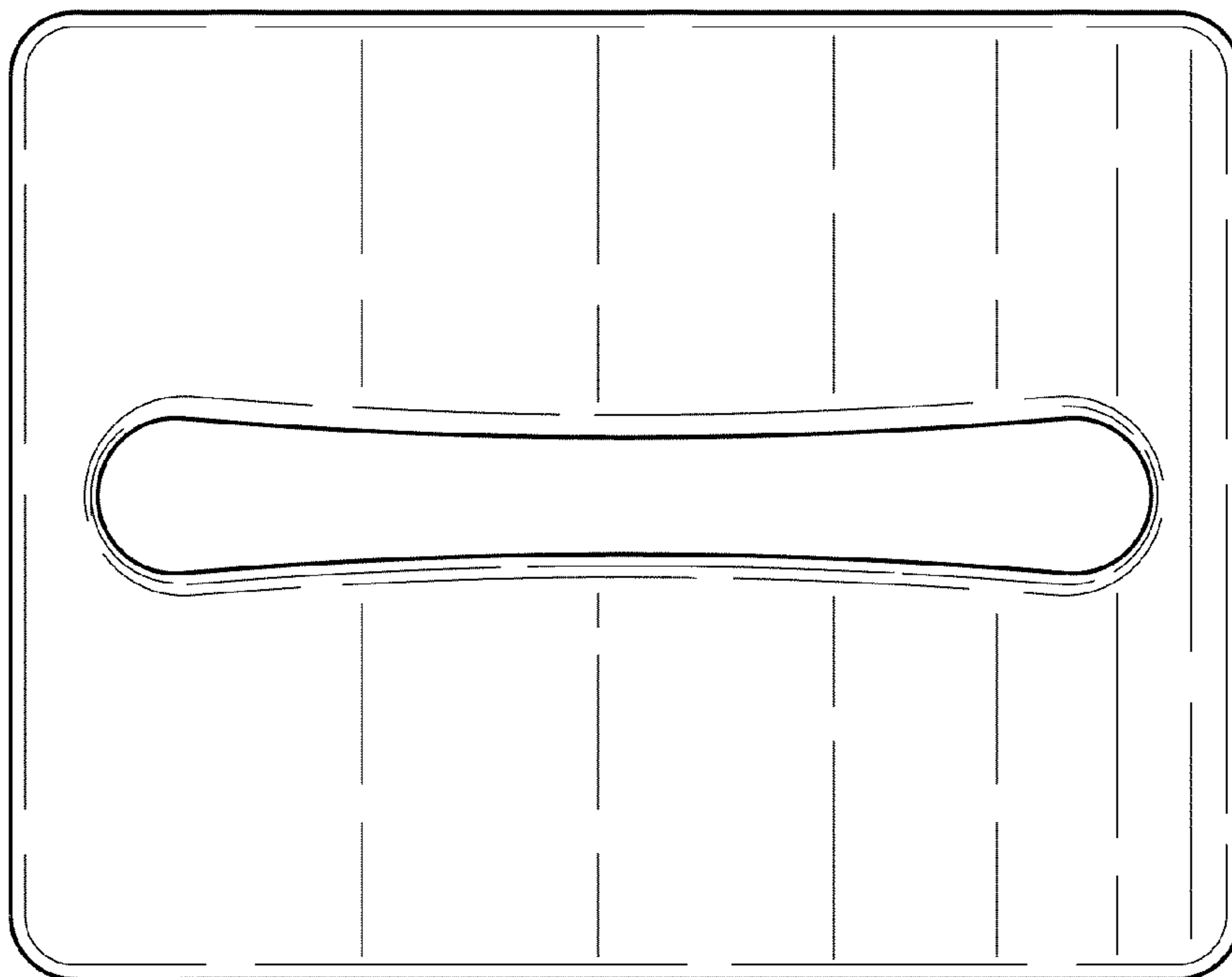


Fig. 2

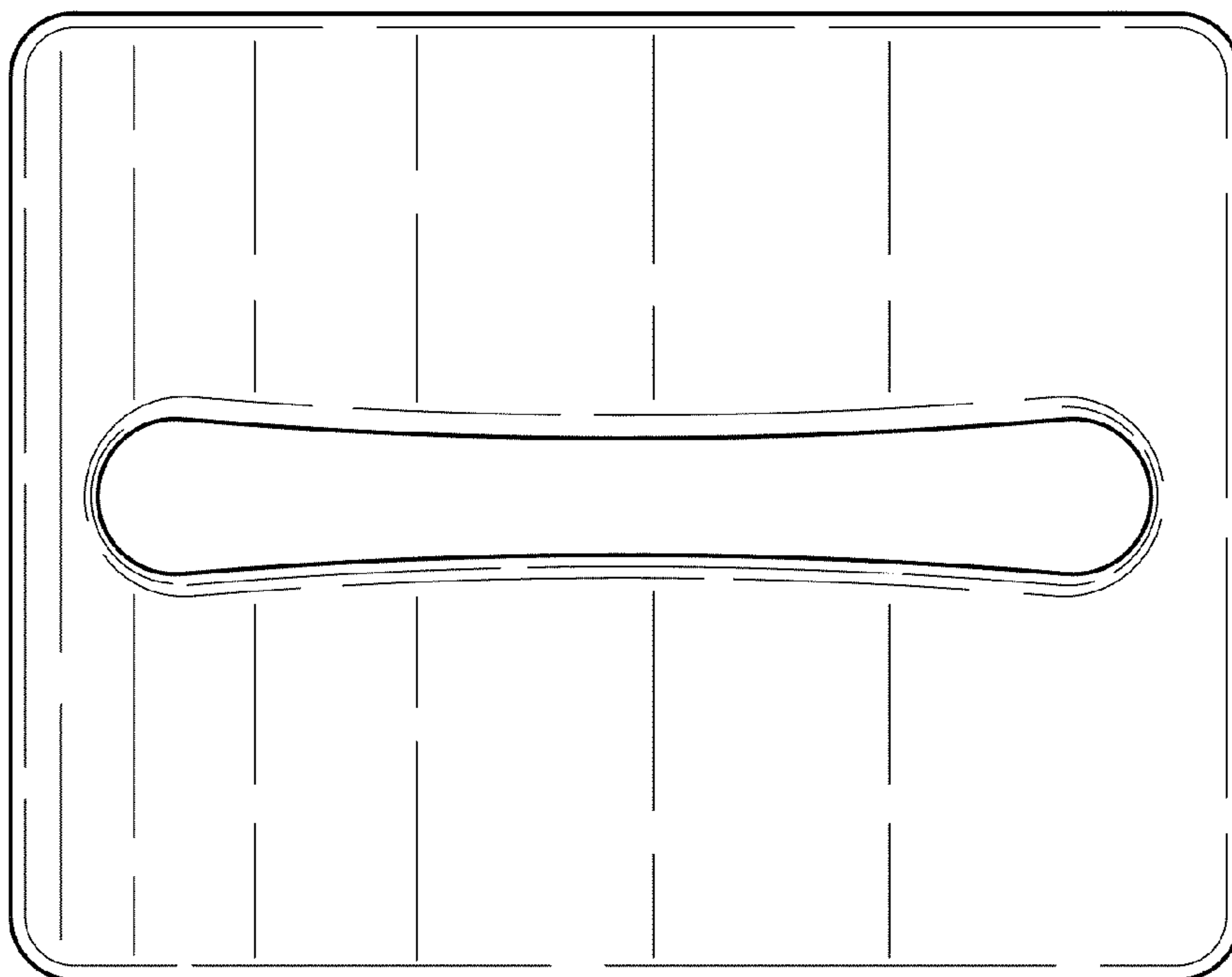


Fig. 3

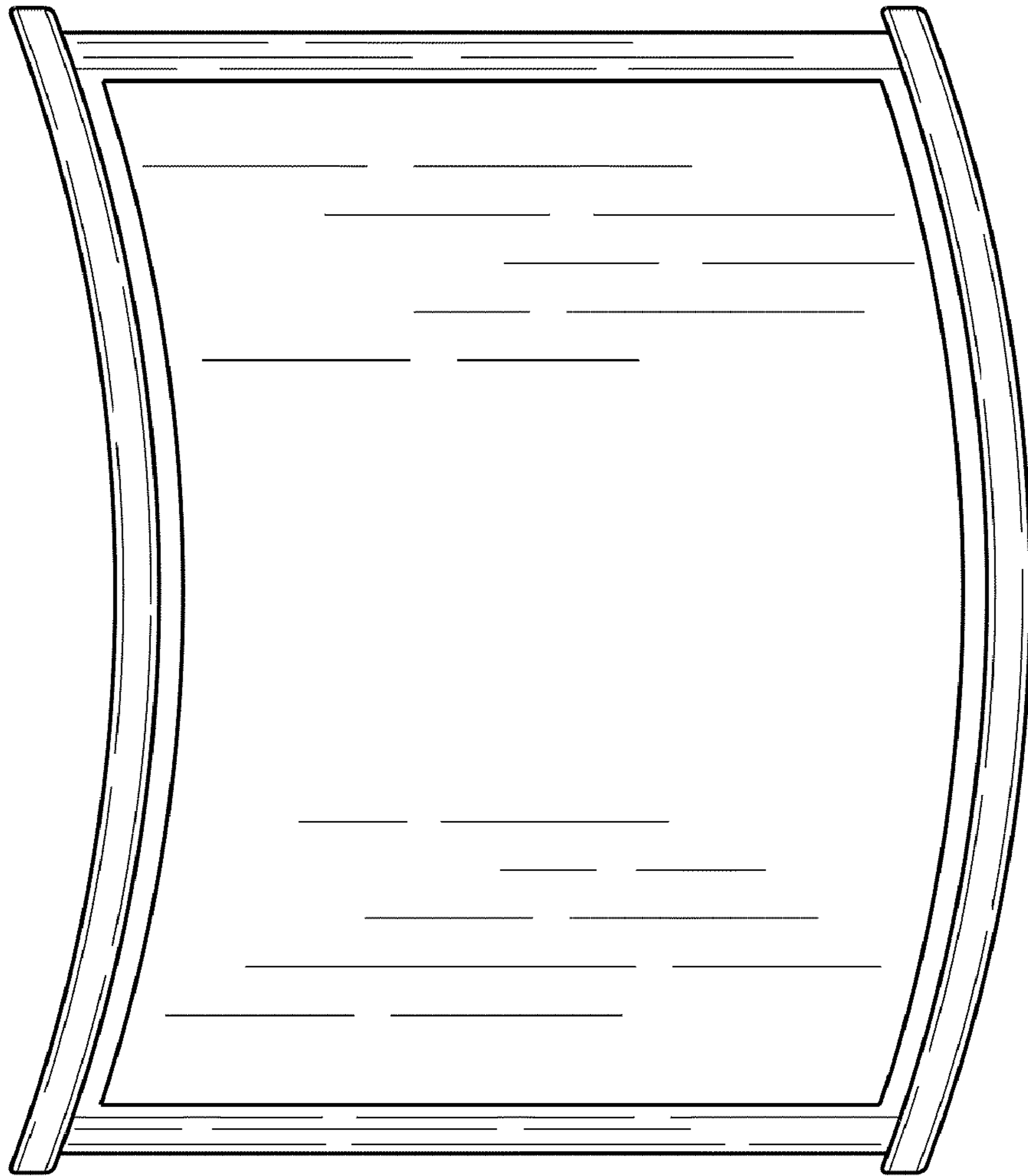


Fig. 4

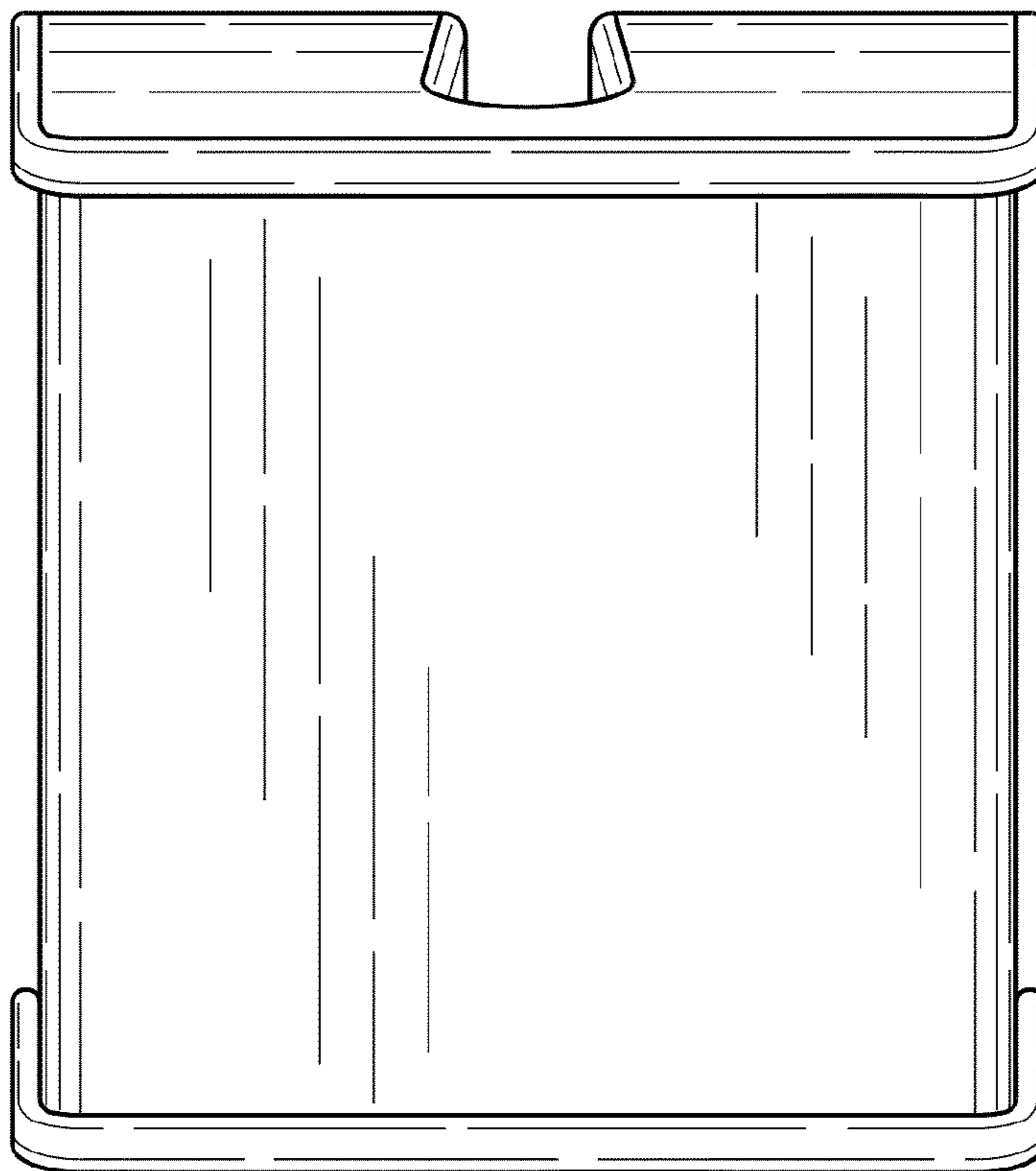


Fig. 6

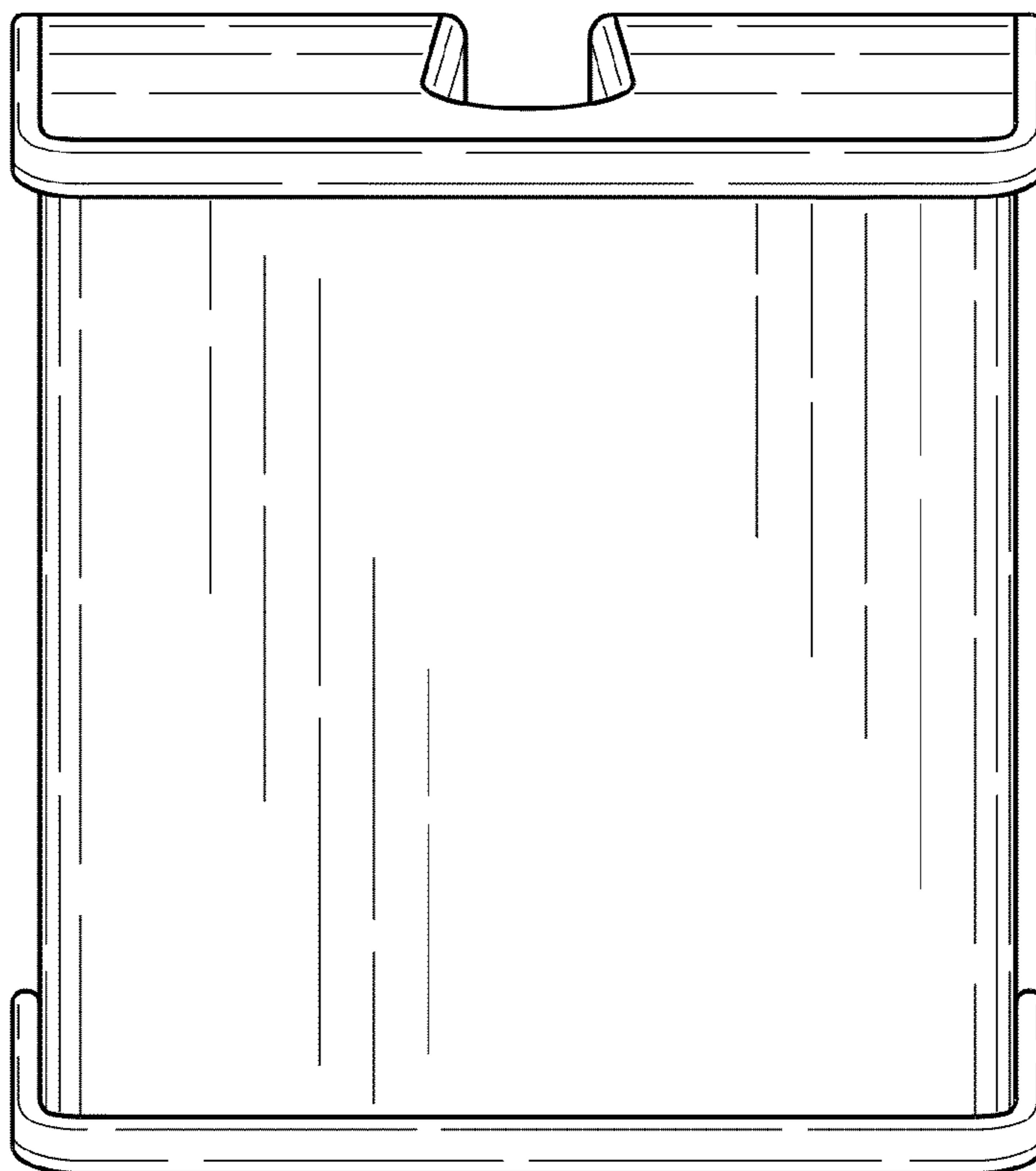


Fig. 5

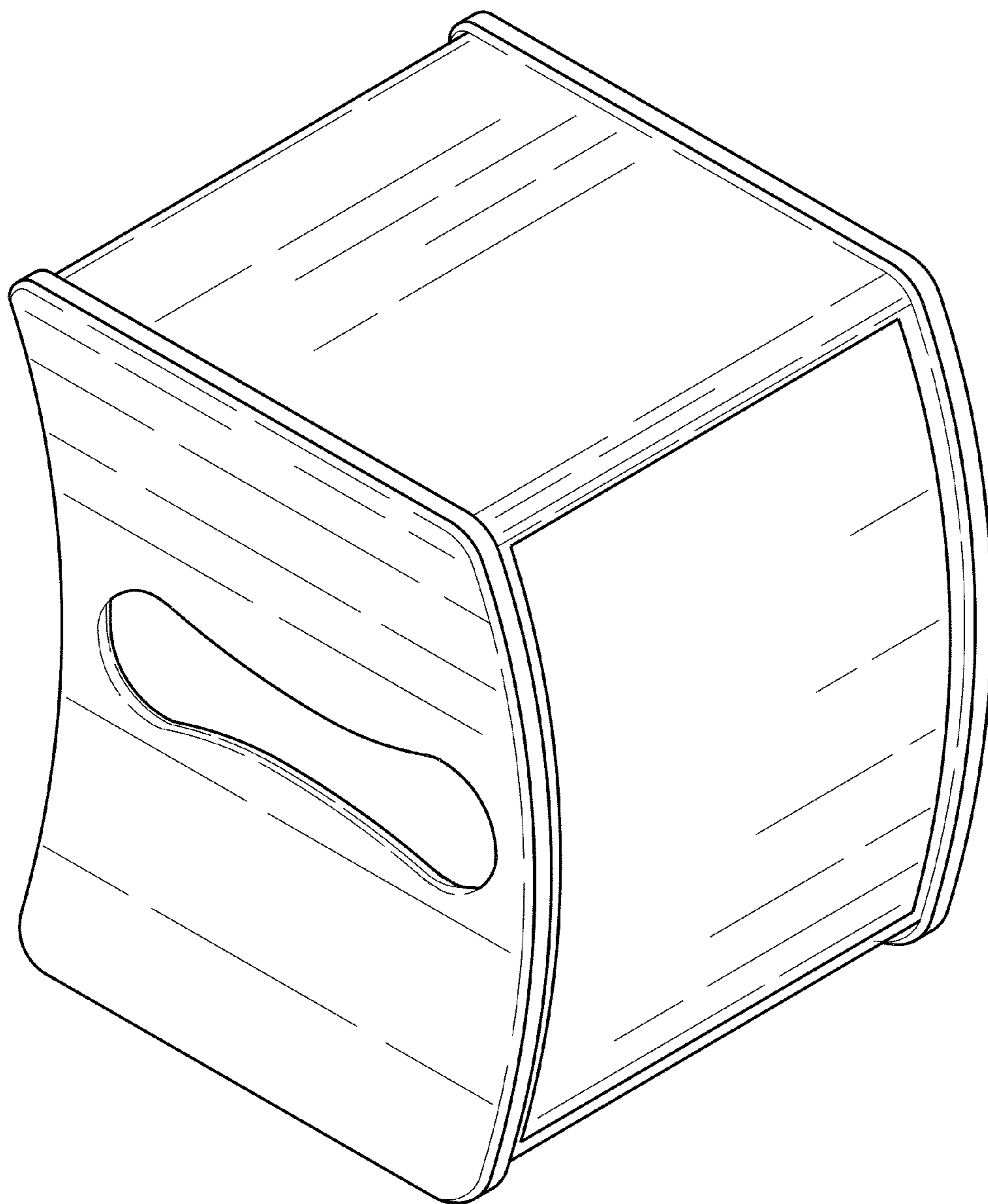


Fig. 7

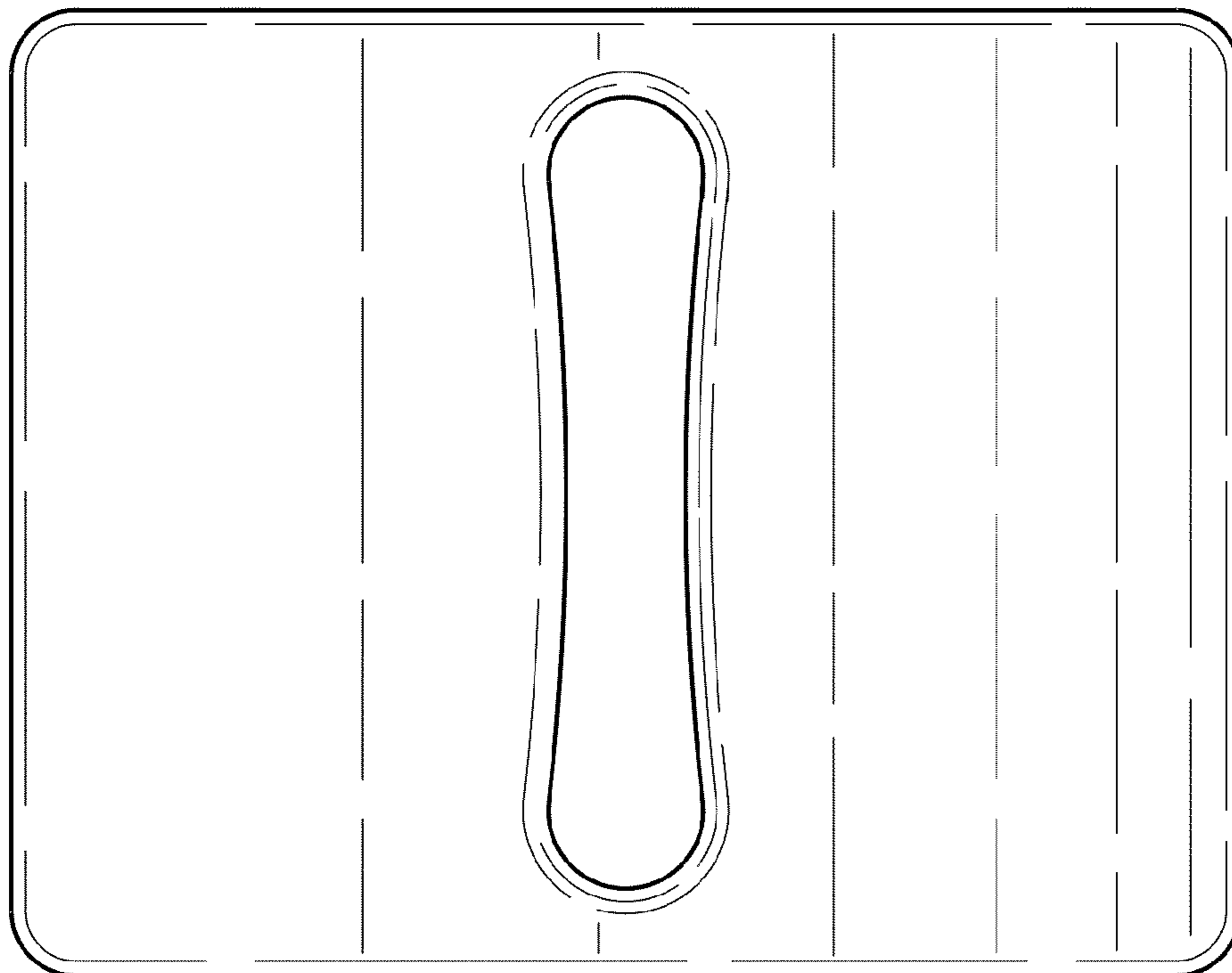


Fig. 9

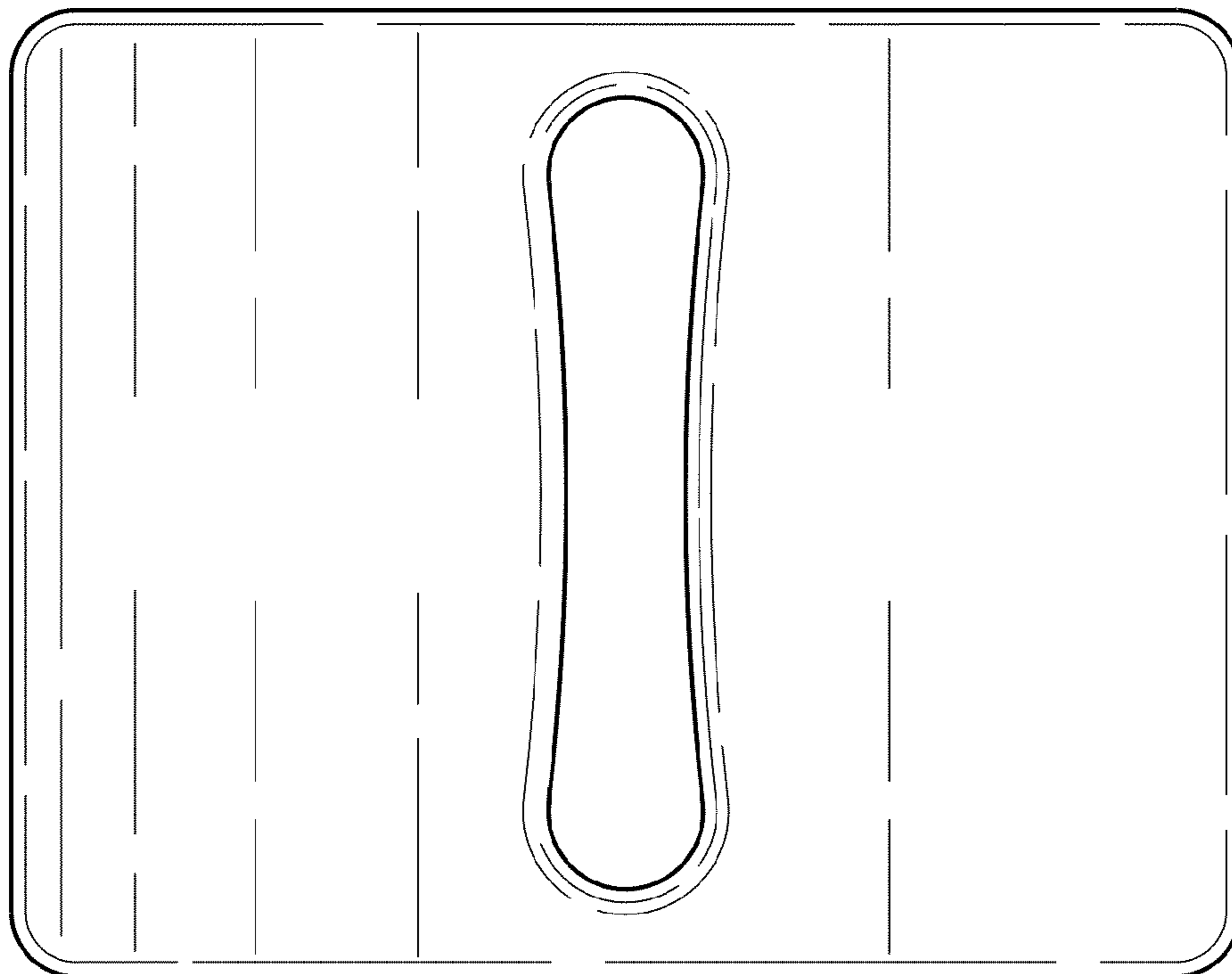


Fig. 8

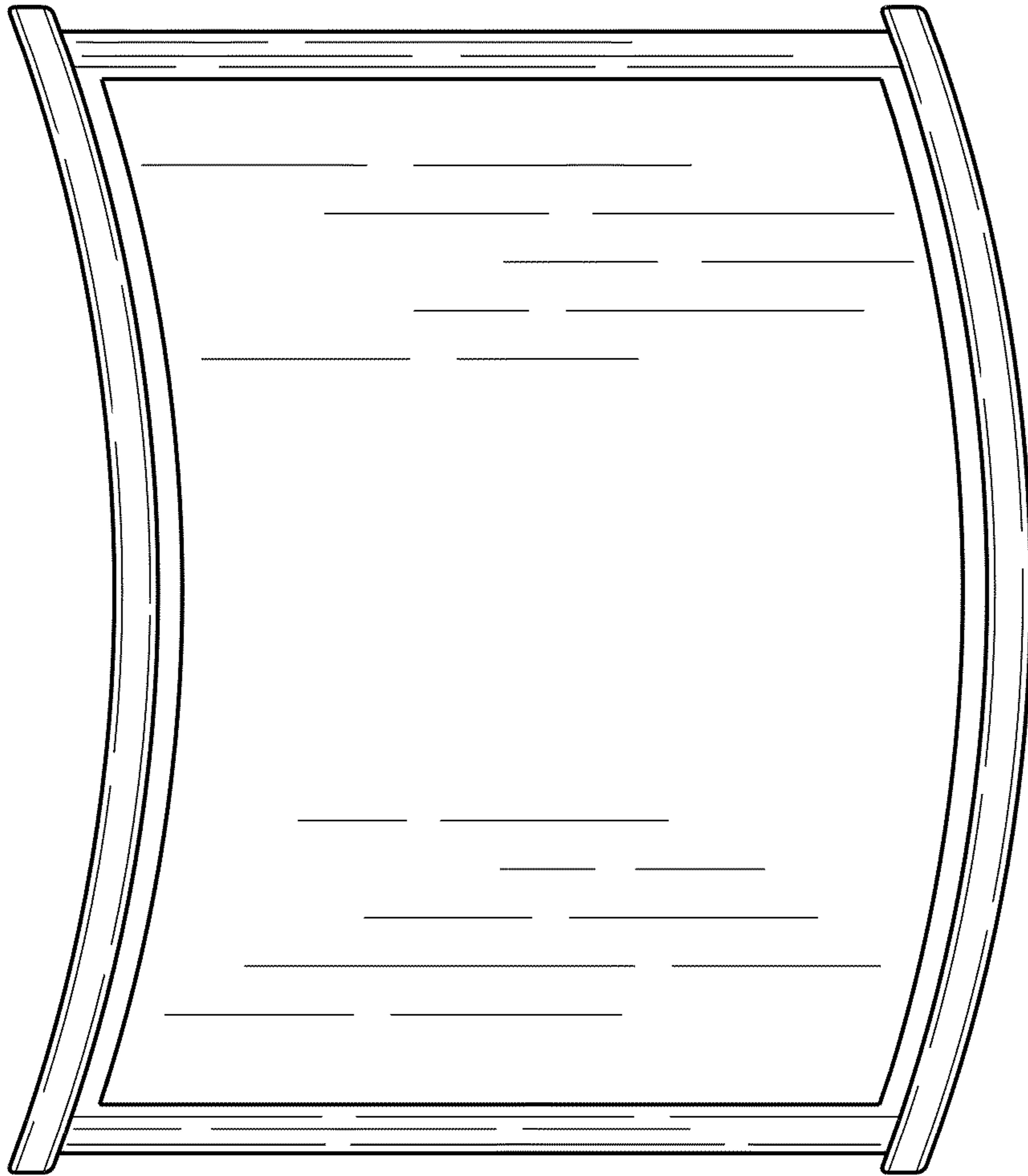


Fig. 10

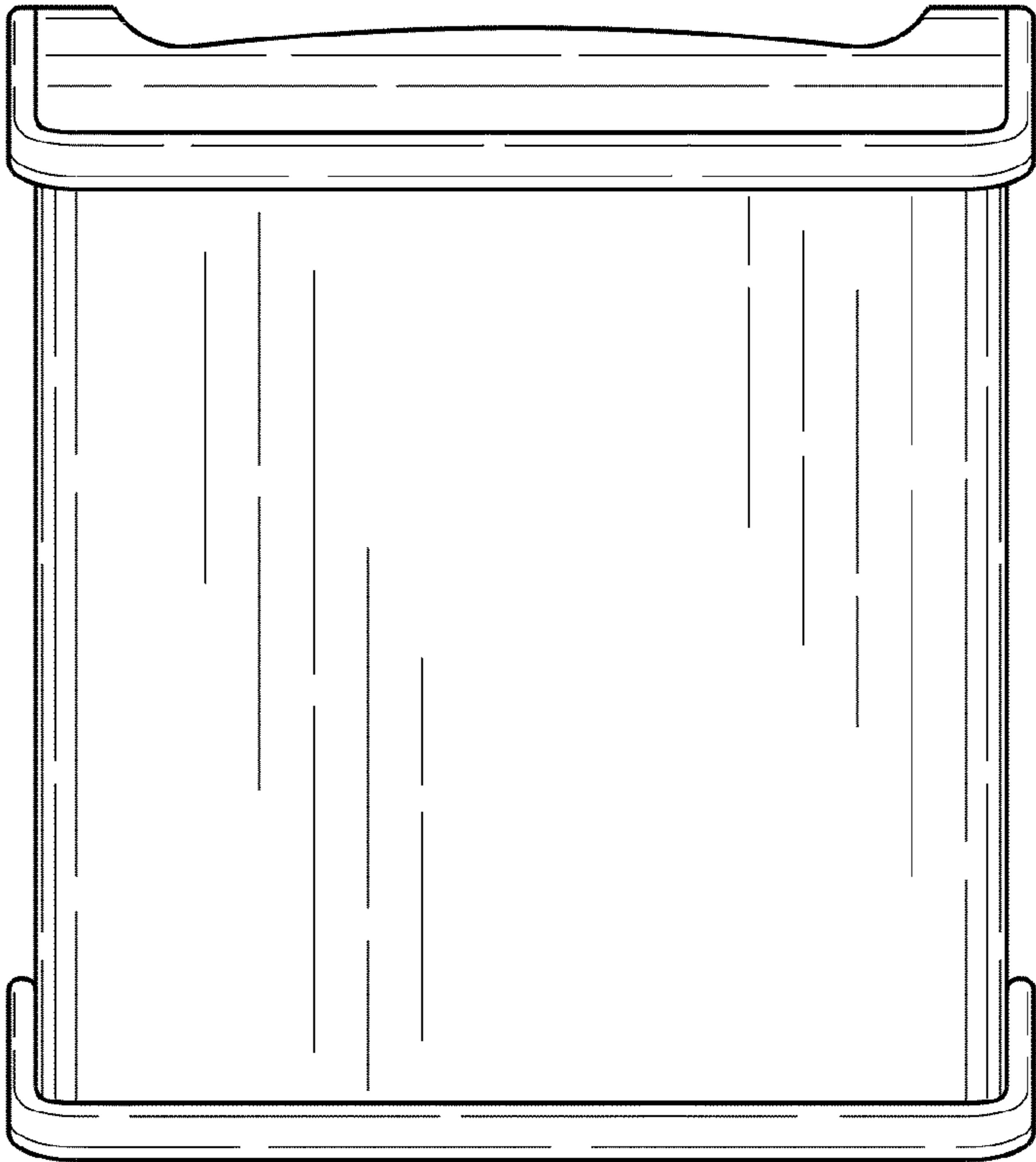


Fig. 12

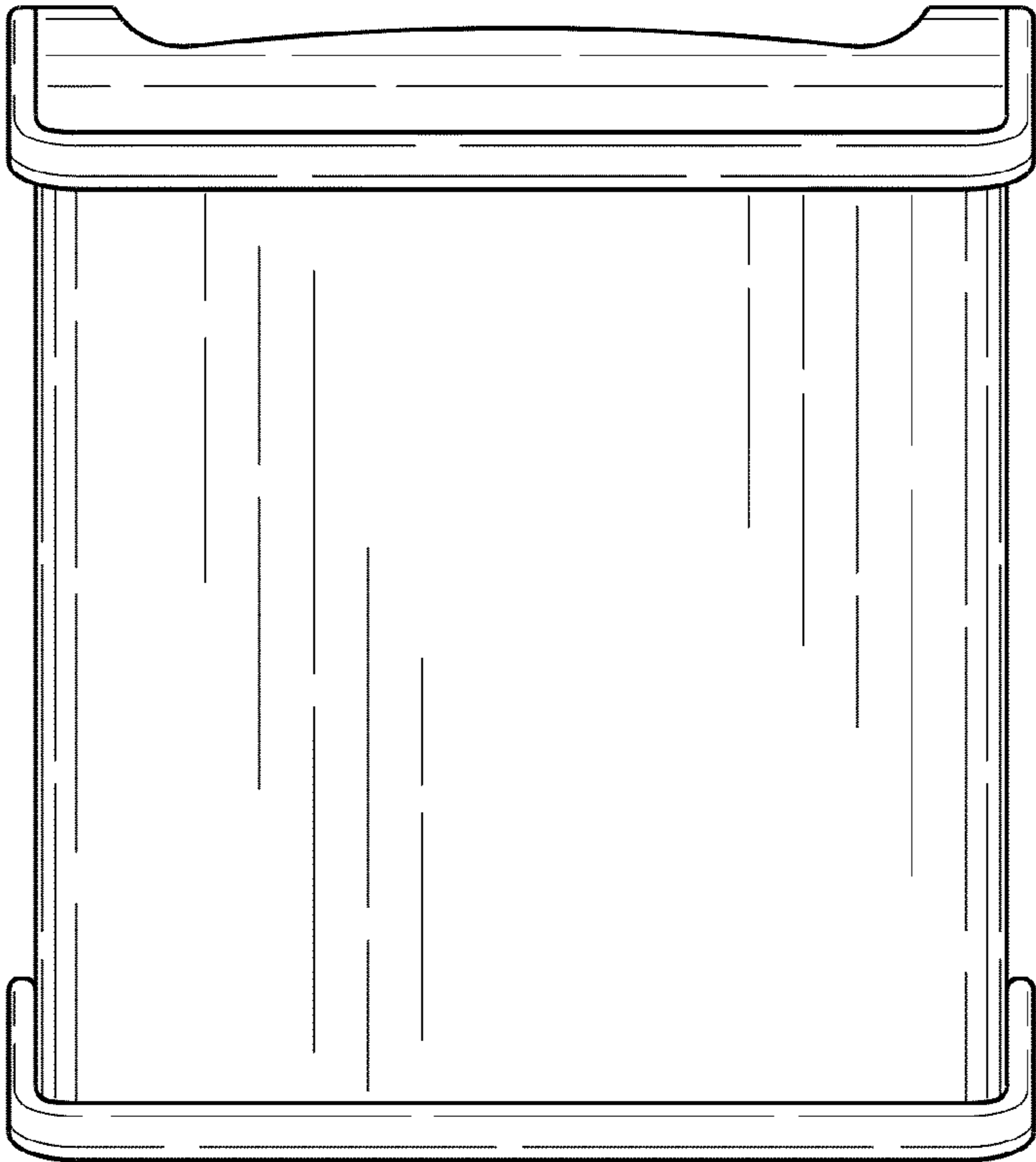


Fig. 11

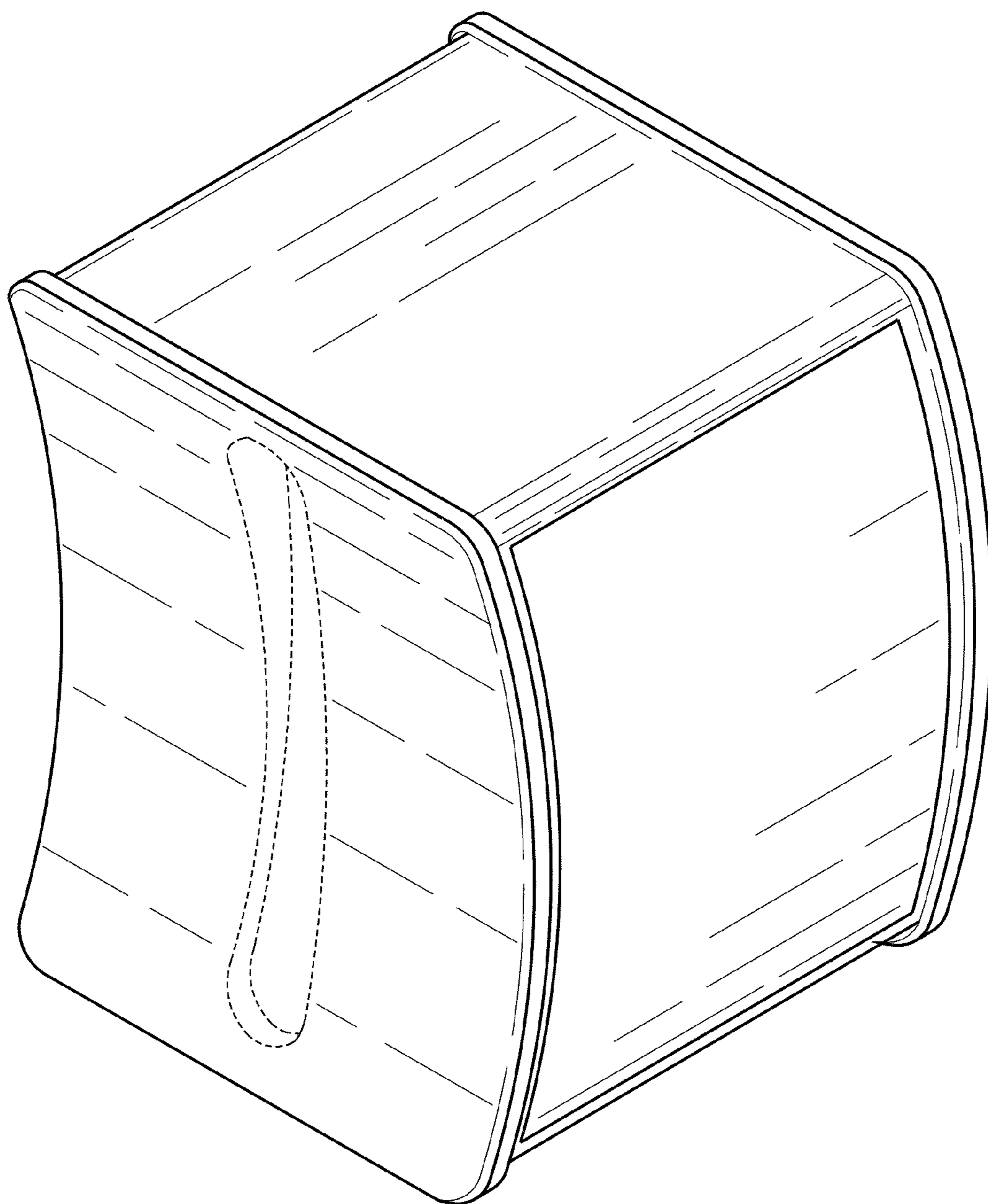


Fig. 13

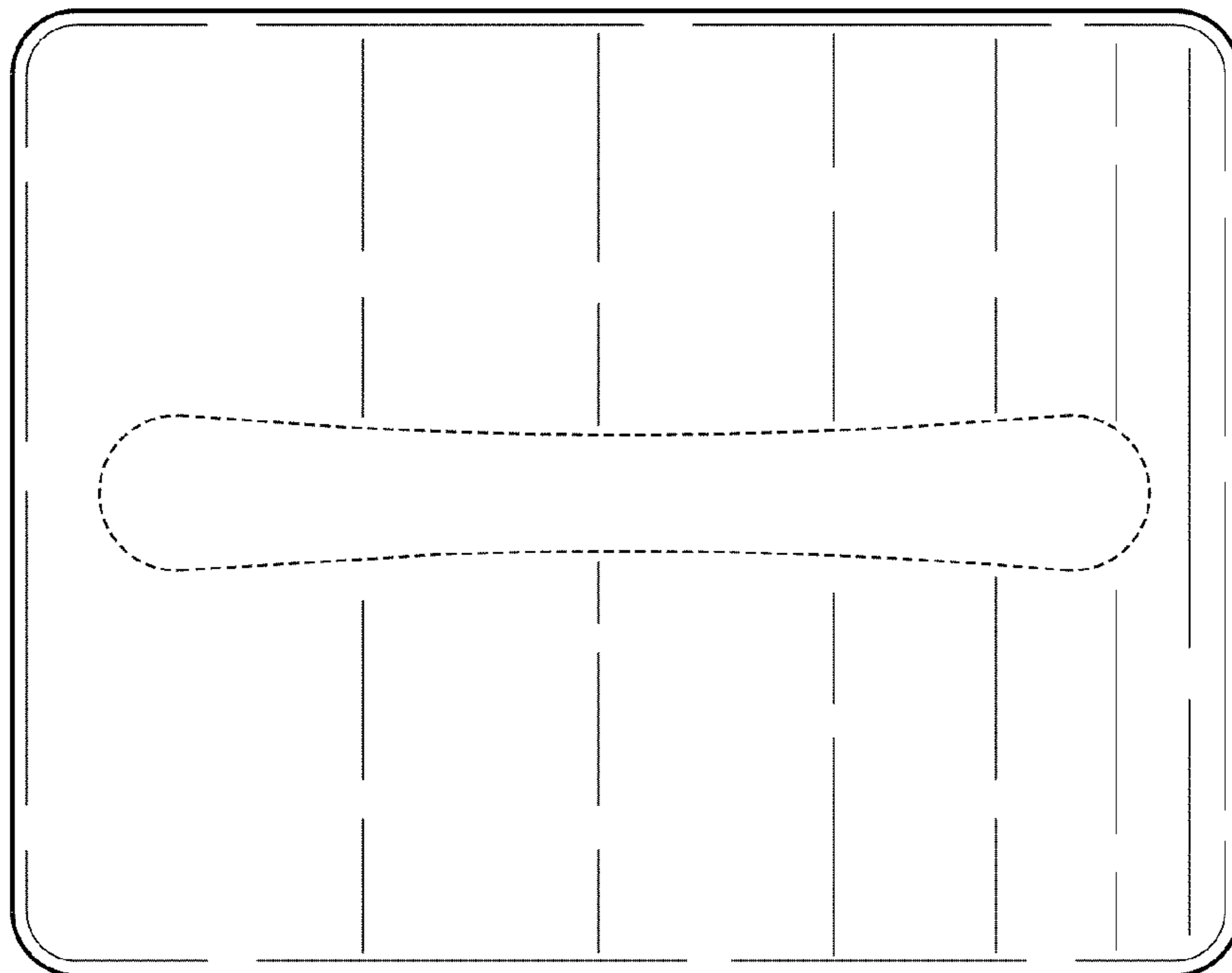


Fig. 15

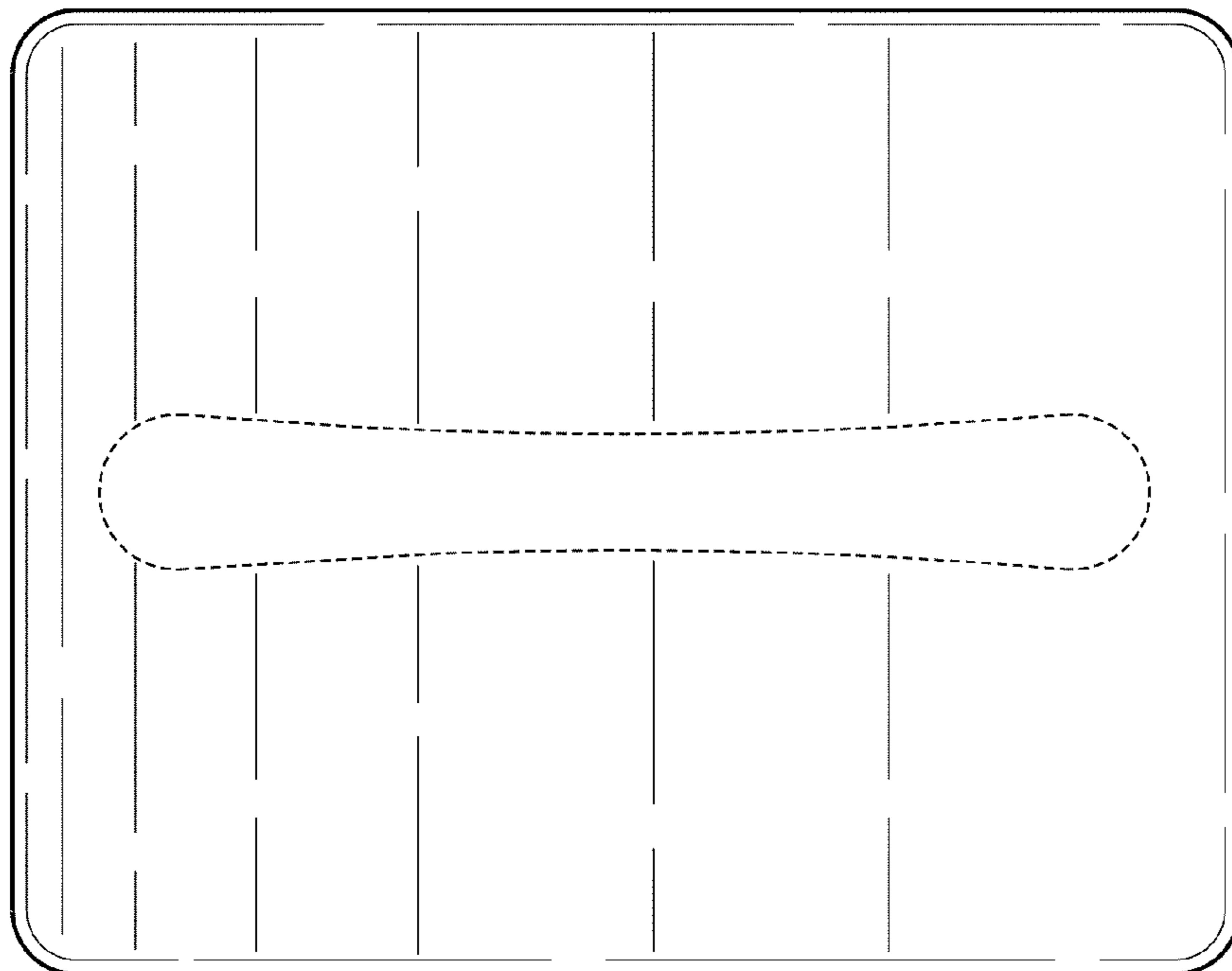


Fig. 14

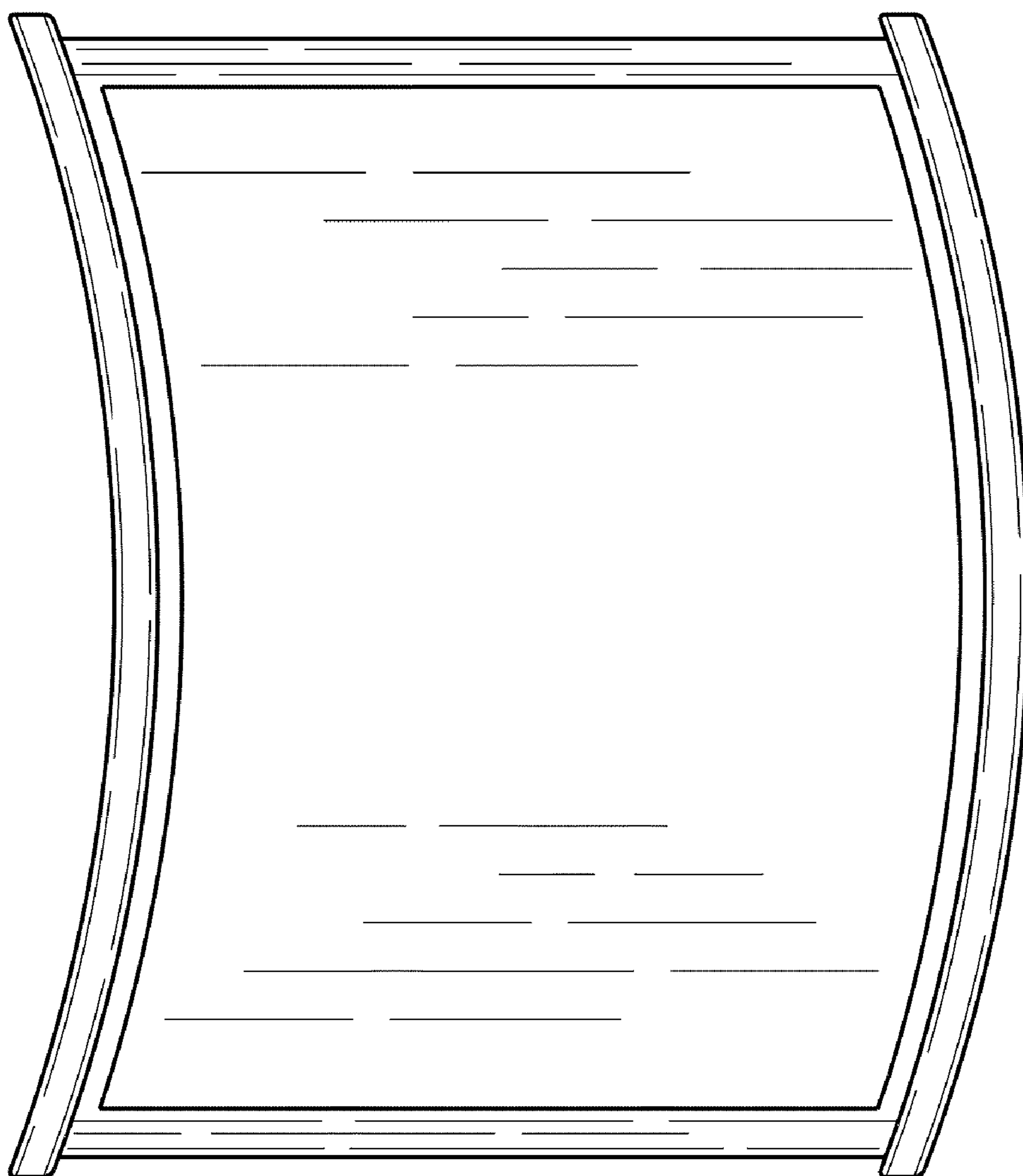


Fig. 16

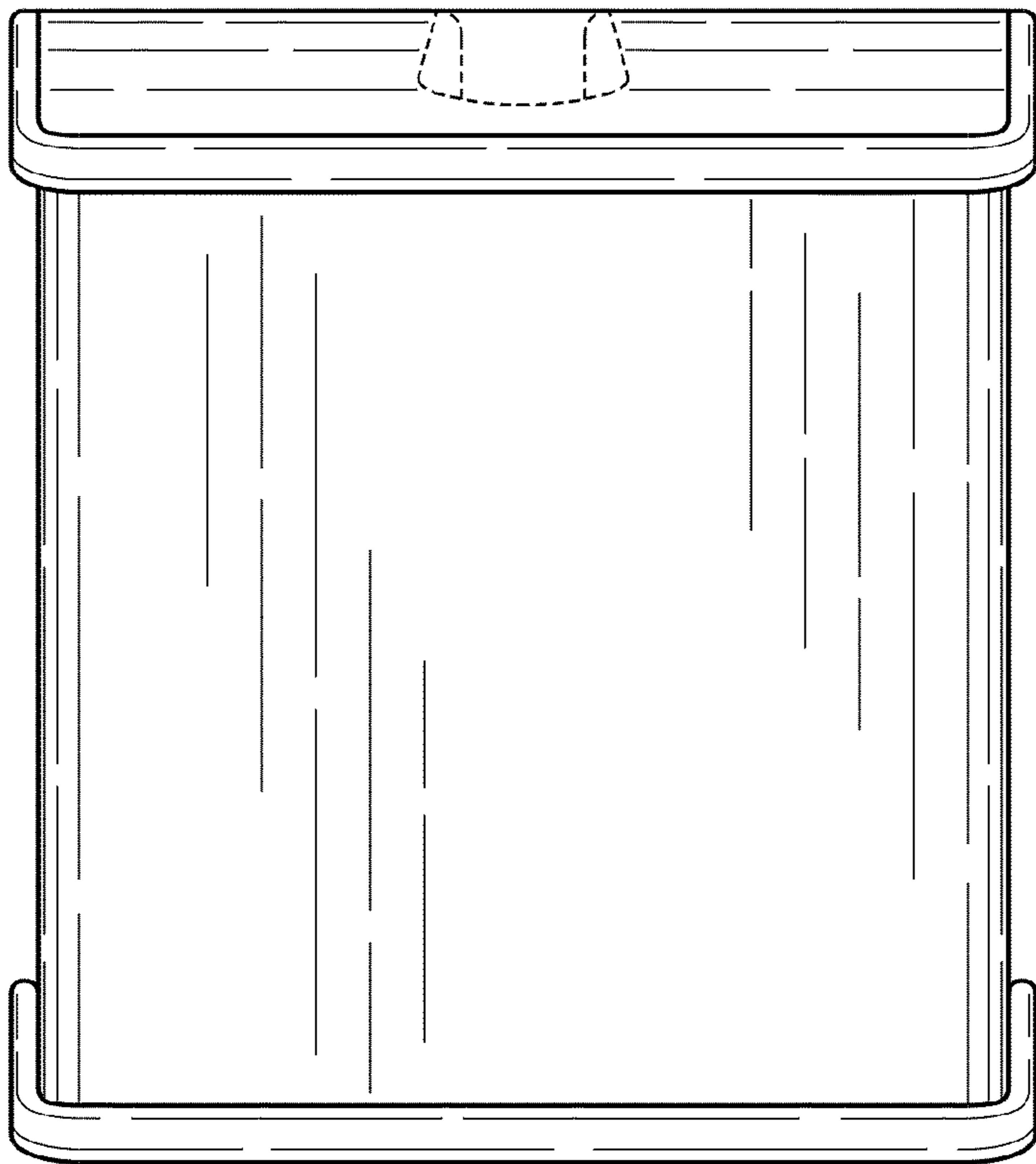


Fig. 18

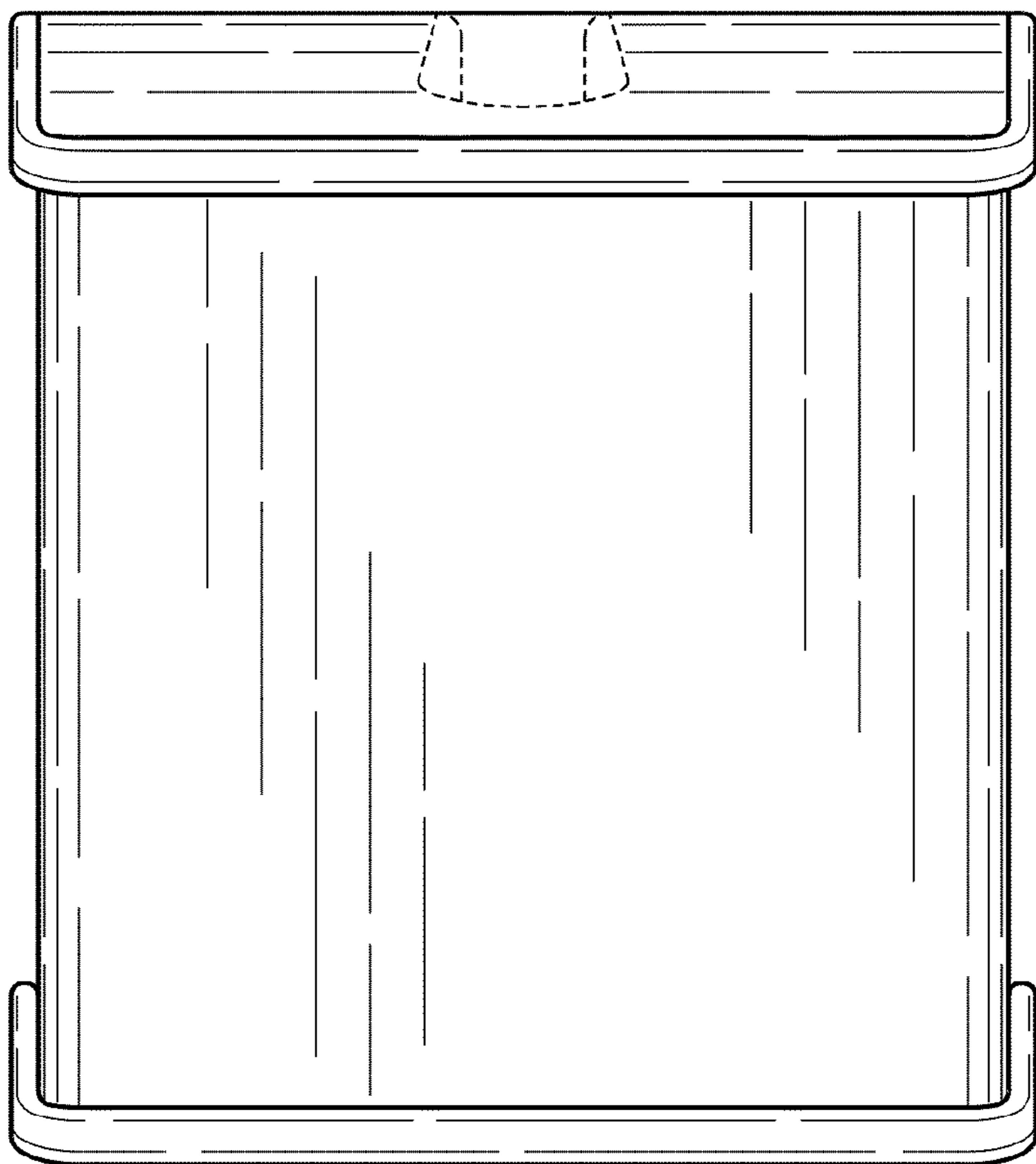


Fig. 17