



US00D648186S

(12) **United States Design Patent**
Pourian et al.

(10) **Patent No.:** **US D648,186 S**
(45) **Date of Patent:** **** Nov. 8, 2011**

- (54) **DISPENSER**
- (75) Inventors: **Neema Pourian**, Skokie, IL (US); **Sa Xiao Marty**, Chicago, IL (US); **Yael Karni**, Chicago, IL (US)
- (73) Assignee: **Wm. Wrigley Jr. Company**, Chicago, IL (US)
- (**) Term: **14 Years**
- (21) Appl. No.: **29/388,442**
- (22) Filed: **Mar. 29, 2011**

- D230,194 S 1/1974 Buckler
- 4,004,683 A 1/1977 Pomeroy et al.
- 4,088,276 A 5/1978 Littleton
- D263,400 S 3/1982 Sato
- 4,417,677 A 11/1983 Mead
- 4,566,606 A 1/1986 Kling
- 4,659,028 A 4/1987 Wren
- 4,763,854 A 8/1988 Borowski
- D300,750 S 4/1989 Mead
- 5,005,698 A 4/1991 Mikhail
- D319,665 S 9/1991 Kiyokane
- 5,058,792 A 10/1991 Morand
- 5,067,629 A 11/1991 Schwartz
- D323,531 S 1/1992 Fortune
- 5,119,969 A 6/1992 Haber

(Continued)

Related U.S. Application Data

- (63) Continuation of application No. 29/364,569, filed on Jun. 25, 2010, now abandoned.
 - (51) **LOC (9) Cl.** **07-01**
 - (52) **U.S. Cl.** **D7/629**; D19/67
 - (58) **Field of Classification Search** D19/70, D19/69, 36, 68, 67; 242/588.6, 588.2; 225/77, 225/6, 56, 39, 26, 25, 19, 11, 34; 206/411; 156/577, 527, 523; D7/629, 628; D6/515; 221/64, 279, 242, 232
- See application file for complete search history.

FOREIGN PATENT DOCUMENTS

WO 2008107341 9/2008

OTHER PUBLICATIONS

Packaging for Wrigley's Doublemint Card-X; Wm. Wrigley Jr. Company; photograph taken Apr. 28, 2009.

Primary Examiner — Austin Murphy

(74) *Attorney, Agent, or Firm* — Armstrong Teasdale LLP

(57) **CLAIM**

The ornamental design for a dispenser, as shown and described.

(56) **References Cited**

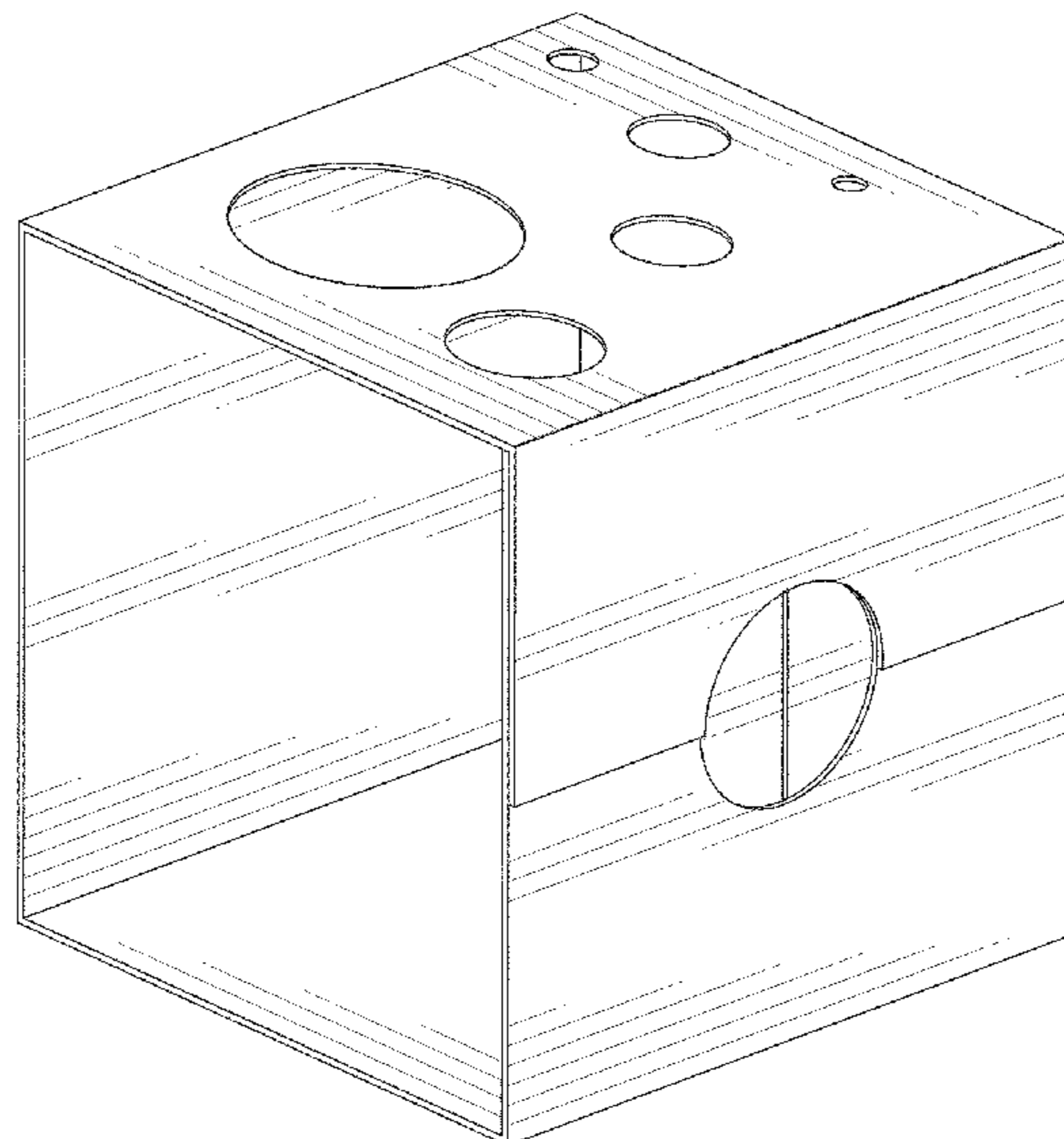
U.S. PATENT DOCUMENTS

- 2,414,333 A 1/1947 Schieman
- 2,452,510 A 2/1951 Gray
- 2,678,777 A 5/1954 Donkin
- D189,267 S 11/1960 Silten
- D192,455 S 3/1962 Castelli
- D192,835 S 5/1962 Wax
- 3,107,782 A 10/1963 Jaroff et al.
- 3,325,050 A 6/1967 Wanamaker
- 3,381,853 A 5/1968 Ferris et al.
- D228,412 S 9/1973 Macowski

DESCRIPTION

FIG. 1 is a front and left side perspective view showing our new design;
FIG. 2 is a right side elevation view thereof.
FIG. 3 is a top elevation view thereof;
FIG. 4 is a back elevation view thereof;
FIG. 5 is a front elevation view thereof; and,
FIG. 6 is a left side elevation view thereof.

1 Claim, 3 Drawing Sheets



US D648,186 S

Page 2

U.S. PATENT DOCUMENTS

5,133,980	A	7/1992	Ream et al.			
5,154,335	A	10/1992	Bredow et al.			
D333,156	S	2/1993	Peersmann			
5,228,632	A	7/1993	Addison et al.			
D338,493	S	8/1993	Mead			
D356,707	S	3/1995	Morand			
D357,938	S	5/1995	Wolff			
D358,251	S	5/1995	Bettis			
D361,087	S	8/1995	van Eijben et al.			
D379,474	S	5/1997	Packard			
D380,777	S	7/1997	Packard			
5,698,067	A	12/1997	Packard			
D392,157	S	3/1998	Shibuya			
5,735,400	A	4/1998	Packard			
D395,309	S	6/1998	Hisatsune			
D415,528	S	10/1999	Mandar			
D416,942	S	11/1999	Tsung			
D417,109	S	11/1999	Johnson et al.			
D417,237	S	11/1999	Packard et al.			
D424,564	S	5/2000	Quaglio et al.			
D428,922	S	8/2000	Packard et al.			
D433,061	S	10/2000	Shen			
D444,177	S *	6/2001	Carretta	D19/85		
D456,449	S	4/2002	Dunshee et al.			
D458,911	S	6/2002	Kataoka			
D463,104	S	9/2002	Ames			
D463,496	S	9/2002	Holbrook et al.			
D472,319	S	3/2003	Oltmann			
6,540,195	B2	4/2003	Newman et al.			
6,792,709	B1 *	9/2004	Fine et al.	40/720		
D502,740	S	3/2005	Stoddard et al.			
D506,133	S	6/2005	Goodfellow et al.			
D508,531	S	8/2005	Hsu			
D514,556	S	2/2006	Rising			
D516,054	S	2/2006	Chang			
D525,063	S	7/2006	Woods et al.			
D544,371	S *	6/2007	Bhavnani	D10/2		
D548,794	S	8/2007	Jour			
D554,302	S	10/2007	Fick			
D561,168	S	2/2008	Song			
D563,994	S *	3/2008	Liu et al.	D14/496		
D566,190	S	4/2008	Kent et al.			
D568,655	S	5/2008	Friesen et al.			
D570,464	S	6/2008	Normark			
D577,743	S	9/2008	Liu			
7,481,393	B2	1/2009	Trinko et al.			
D586,676	S	2/2009	Wagner et al.			
D586,777	S	2/2009	Joseph			
D593,610	S	6/2009	Cirulli et al.			
D598,906	S *	8/2009	Chiba et al.	D14/240		
D603,902	S	11/2009	Greaves			
D613,536	S *	4/2010	Pattberg	D6/518		
D616,940	S	6/2010	Gutierrez et al.			
D616,941	S	6/2010	Bradfield			
D618,906	S	7/2010	Covington et al.			
D619,836	S *	7/2010	Kim	D6/518		
D619,838	S	7/2010	Kim			
D620,292	S	7/2010	Kim			
D620,733	S	8/2010	Denis et al.			
D624,541	S *	9/2010	Kemery et al.	D14/358		
D628,020	S	11/2010	Lim			
D628,091	S *	11/2010	Bulsink et al.	D10/14		
D638,424	S *	5/2011	Brandis	D14/358		

* cited by examiner

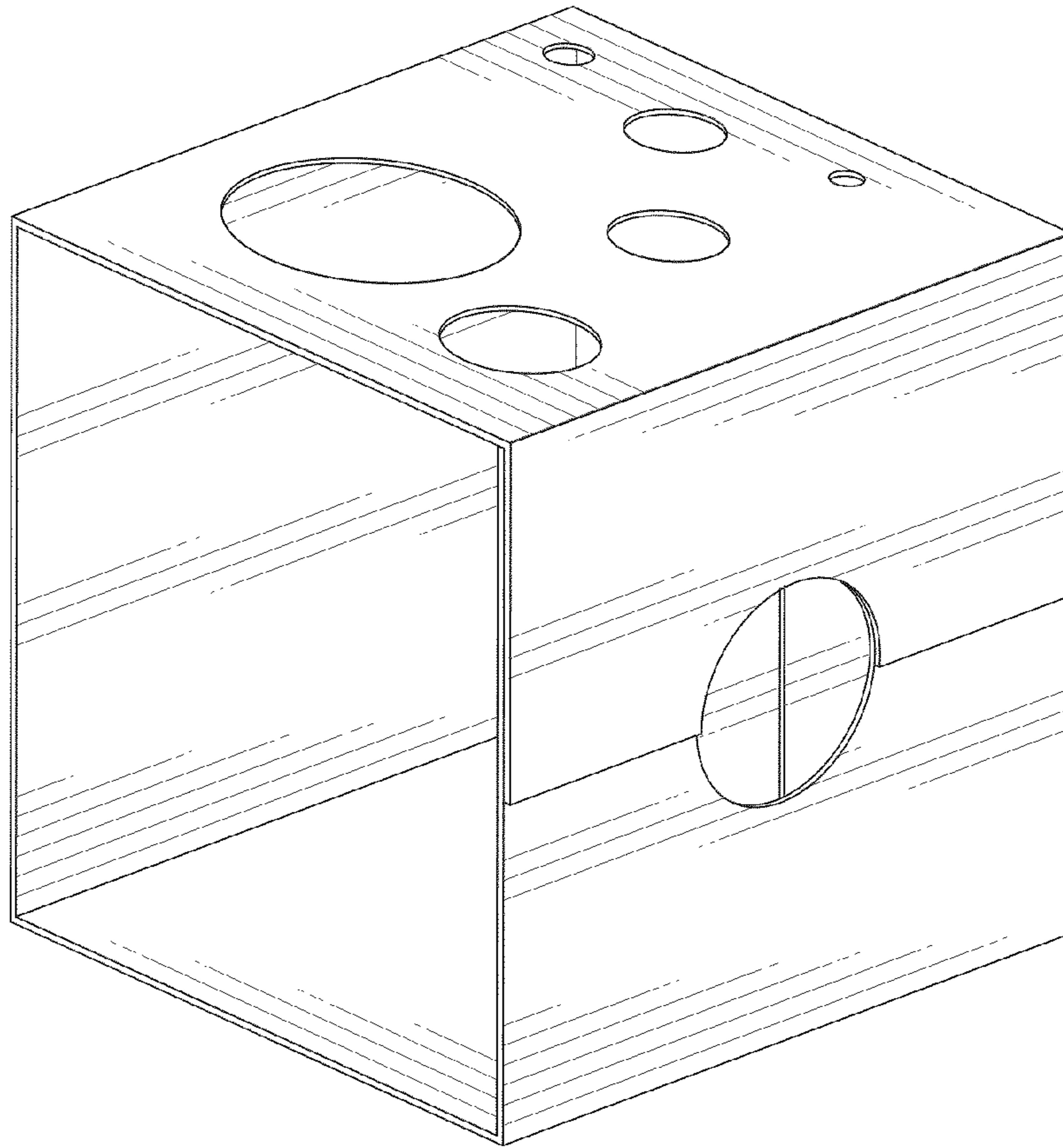


FIG. 1

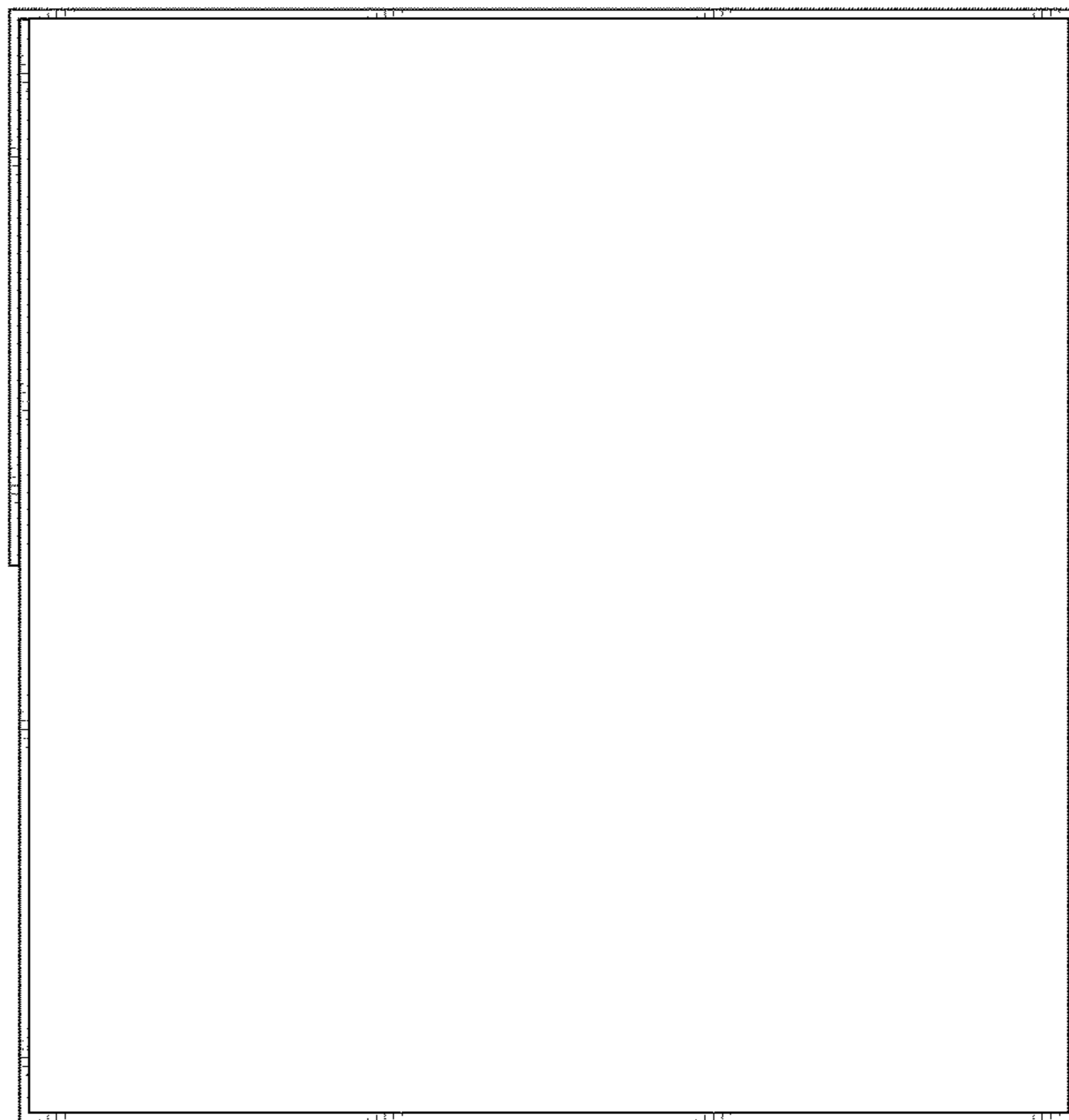


FIG. 2

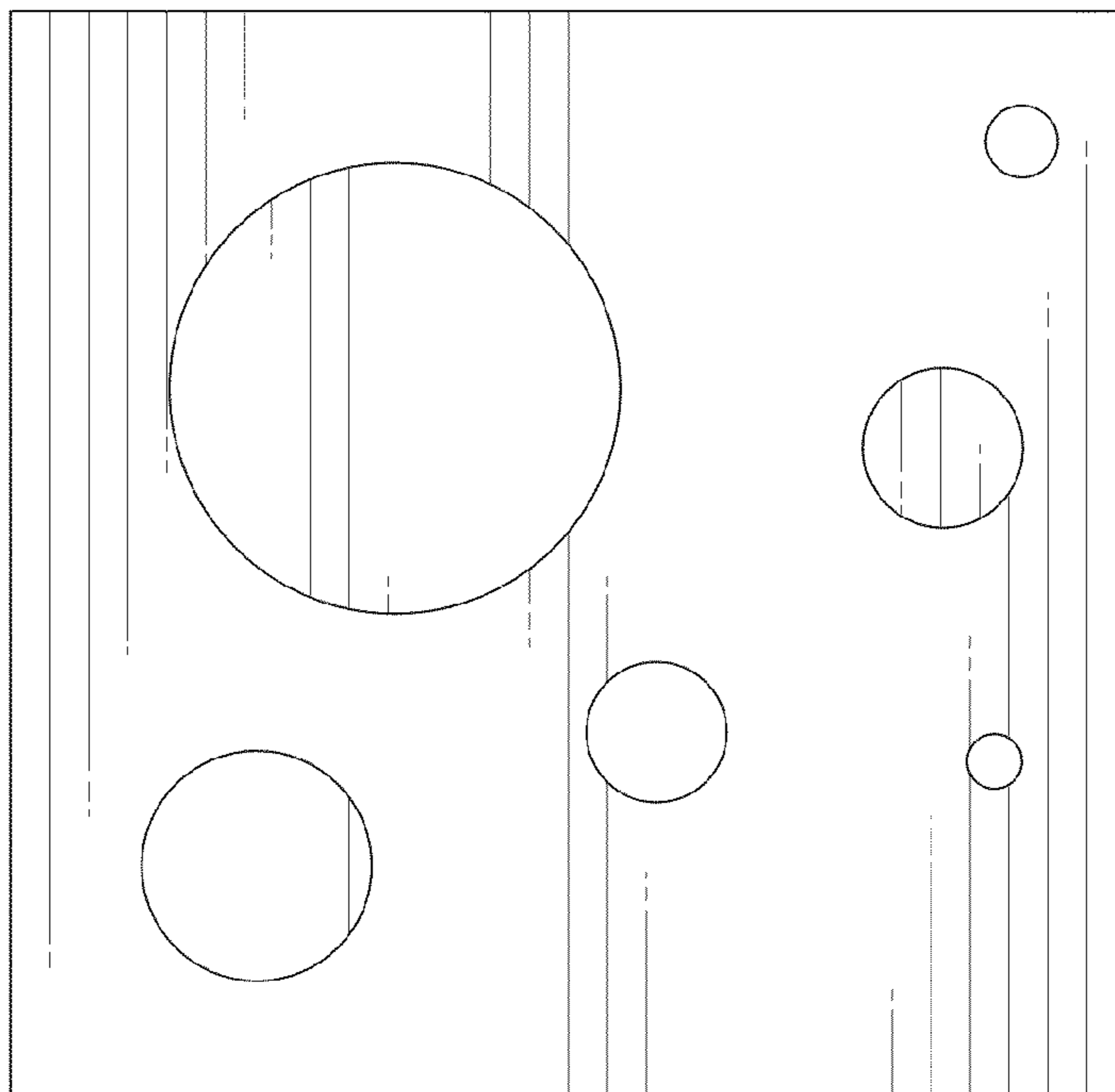


FIG. 3

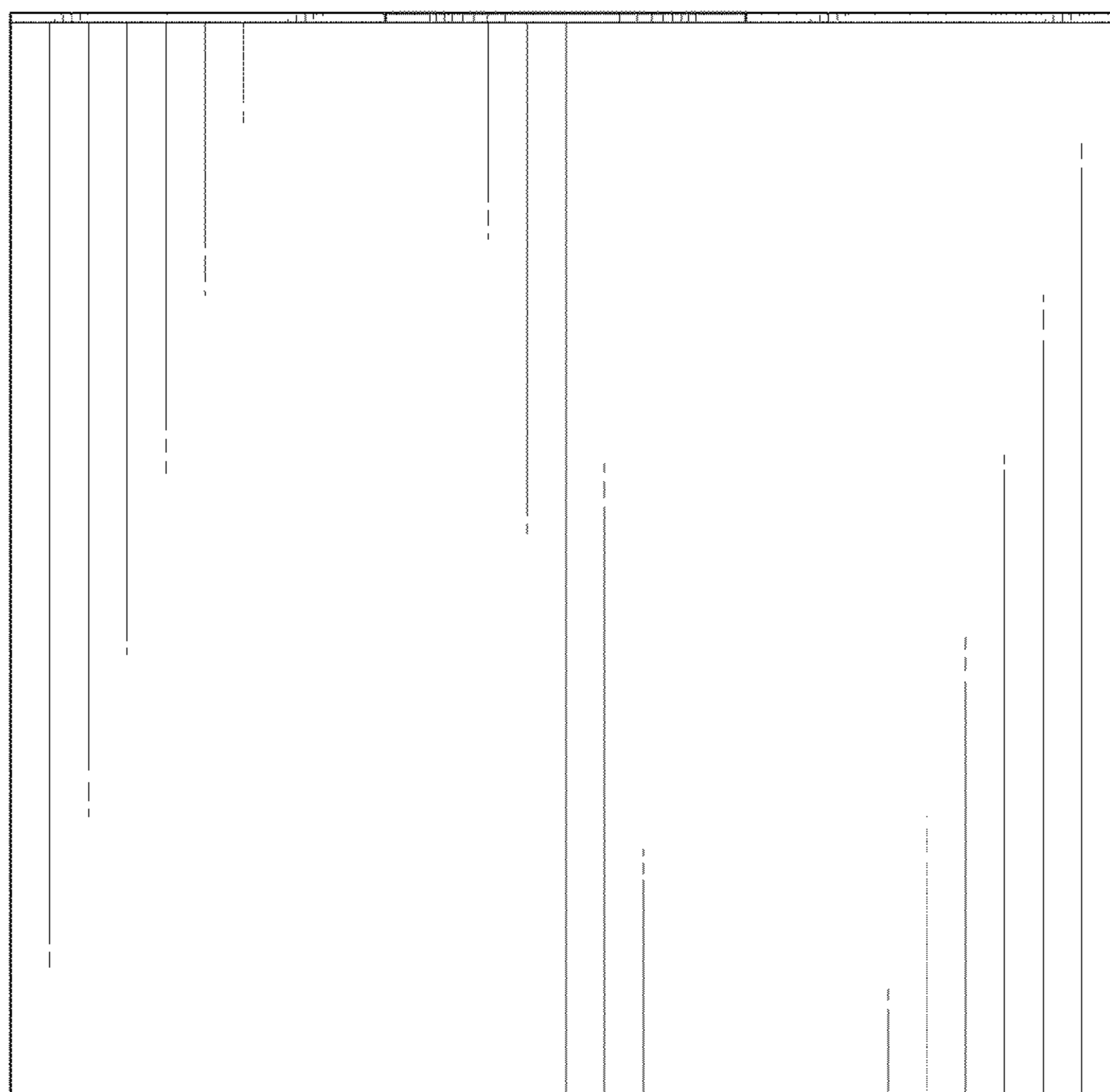


FIG. 4

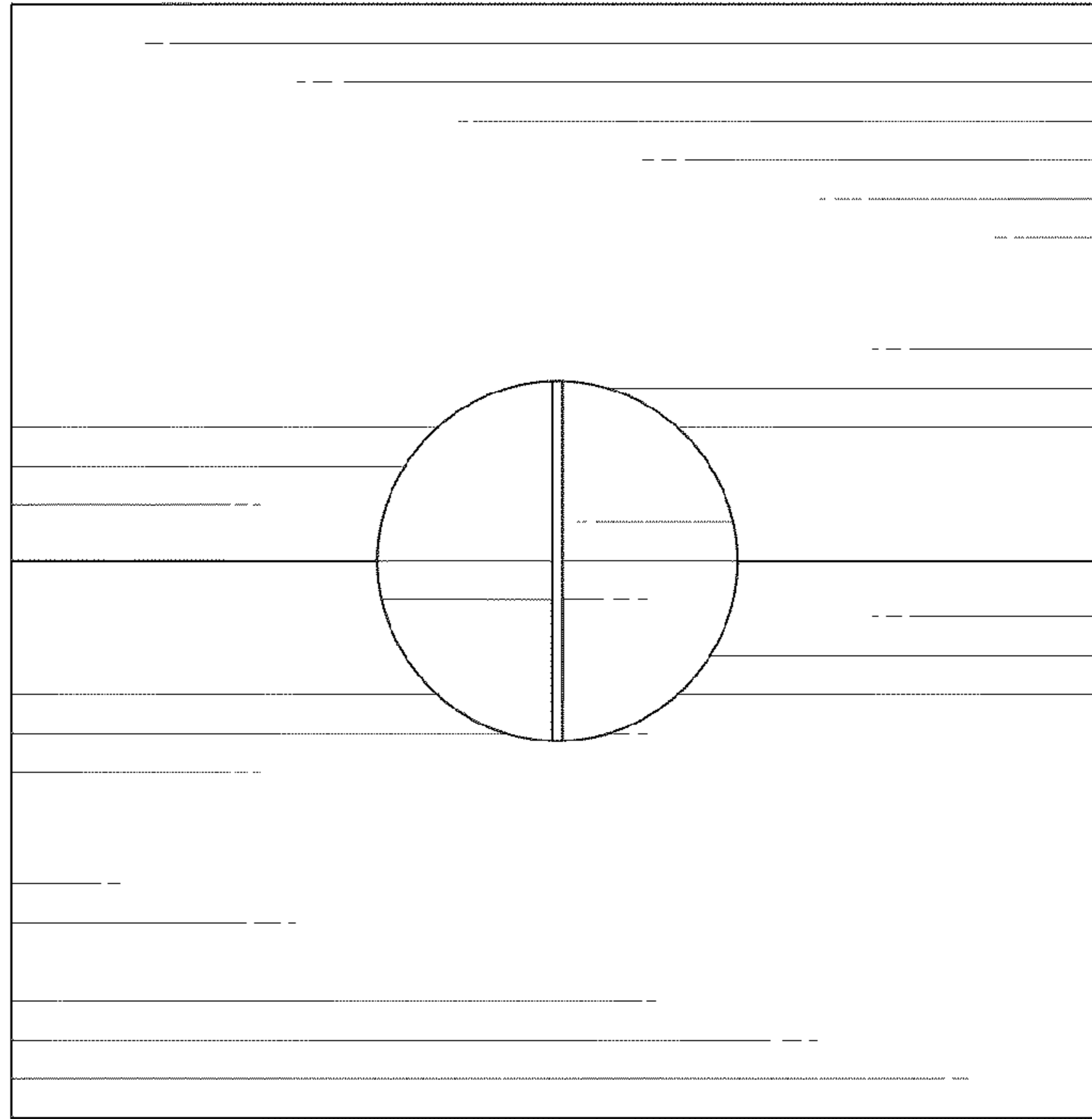


FIG. 5

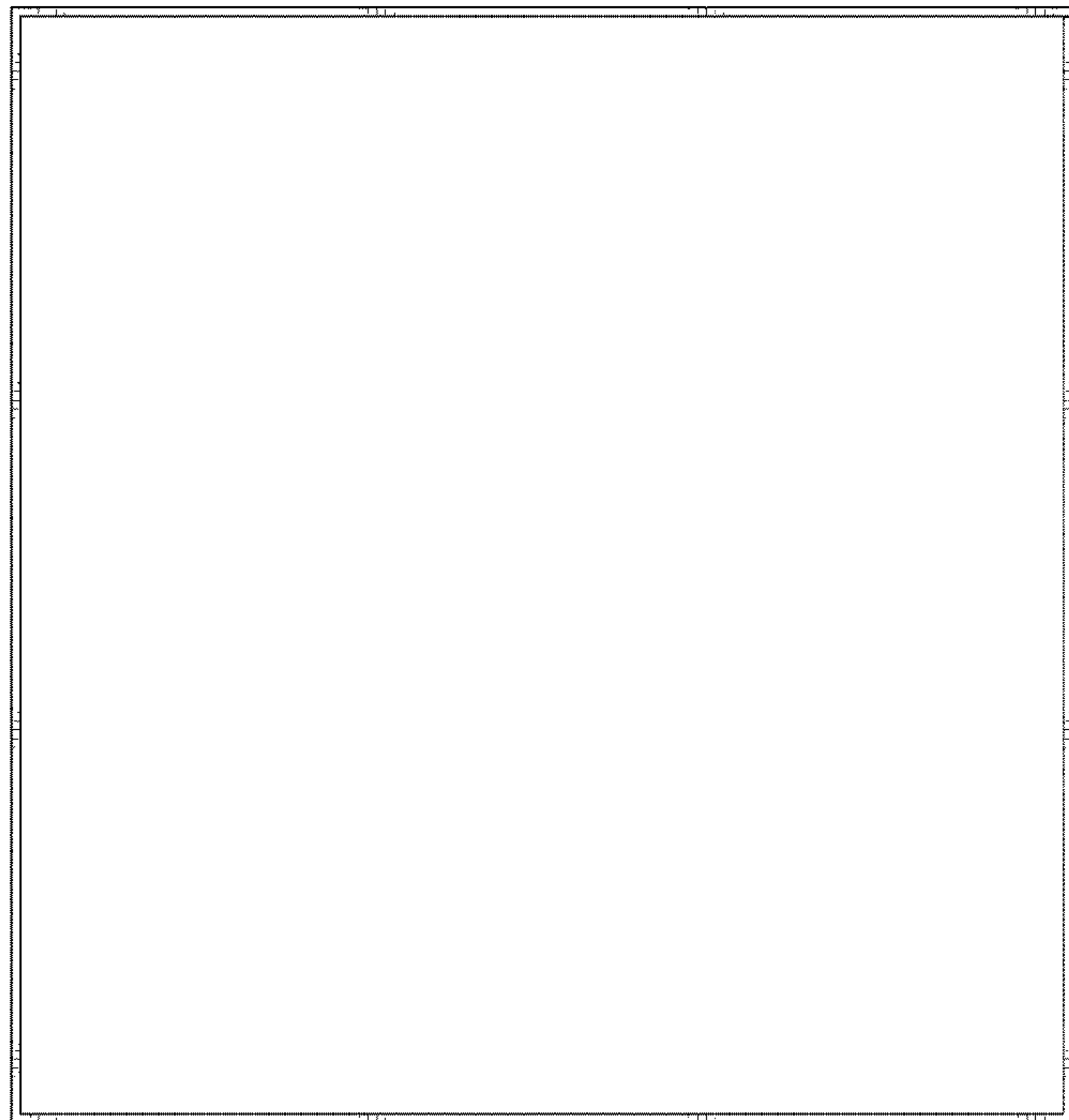


FIG. 6