



US00D648185S

(12) **United States Design Patent**  
**Sanders**

(10) **Patent No.:** **US D648,185 S**

(45) **Date of Patent:** **\*\* Nov. 8, 2011**

(54) **CONTAINER SLEEVE**

(75) Inventor: **Scott Sanders**, Moreland Hills, OH (US)

(73) Assignee: **CPR, LLC**, Moreland Hills, OH (US)

(\*\*) Term: **14 Years**

(21) Appl. No.: **29/389,894**

(22) Filed: **Apr. 18, 2011**

(51) **LOC (9) Cl.** ..... **07-06**

(52) **U.S. Cl.** ..... **D7/624.2**

(58) **Field of Classification Search** ..... D7/601-602,  
D7/619.1, 624.1, 624.2, 388; D9/444, 455,  
D9/501, 517, 433; D24/199; 215/11.6; 220/592.16,  
220/592.17, 737-739, 902-903; 229/89-91  
See application file for complete search history.

(56) **References Cited**

**U.S. PATENT DOCUMENTS**

5,222,656	A *	6/1993	Carlson	.....	229/403
6,032,826	A *	3/2000	Libit et al.	.....	220/738
6,273,333	B1 *	8/2001	Ward	.....	229/402
6,343,735	B1 *	2/2002	Cai	.....	229/117.23
D523,294	S *	6/2006	Gregorczyk	.....	D7/624.2
D524,118	S *	7/2006	Gregorczyk	.....	D7/624.2
7,858,015	B2 *	12/2010	Urquhart et al.	.....	264/301

D634,589 S \* 3/2011 Cook et al. .... D7/619.1  
\* cited by examiner

*Primary Examiner* — Ian Simmons

*Assistant Examiner* — Dana L Sipos

(74) *Attorney, Agent, or Firm* — Fay Sharpe LLP; Brian E. Turung

(57) **CLAIM**

The ornamental design for a container sleeve, as shown and described.

**DESCRIPTION**

FIG. 1 is a top perspective view of a container sleeve showing my new design, shown in use;

FIG. 2 is a top, front, right side perspective view of the container sleeve of FIG. 1, when not in use;

FIG. 3 is a front elevation view thereof;

FIG. 4 is a left side elevation view thereof;

FIG. 5 is a right side elevation view thereof;

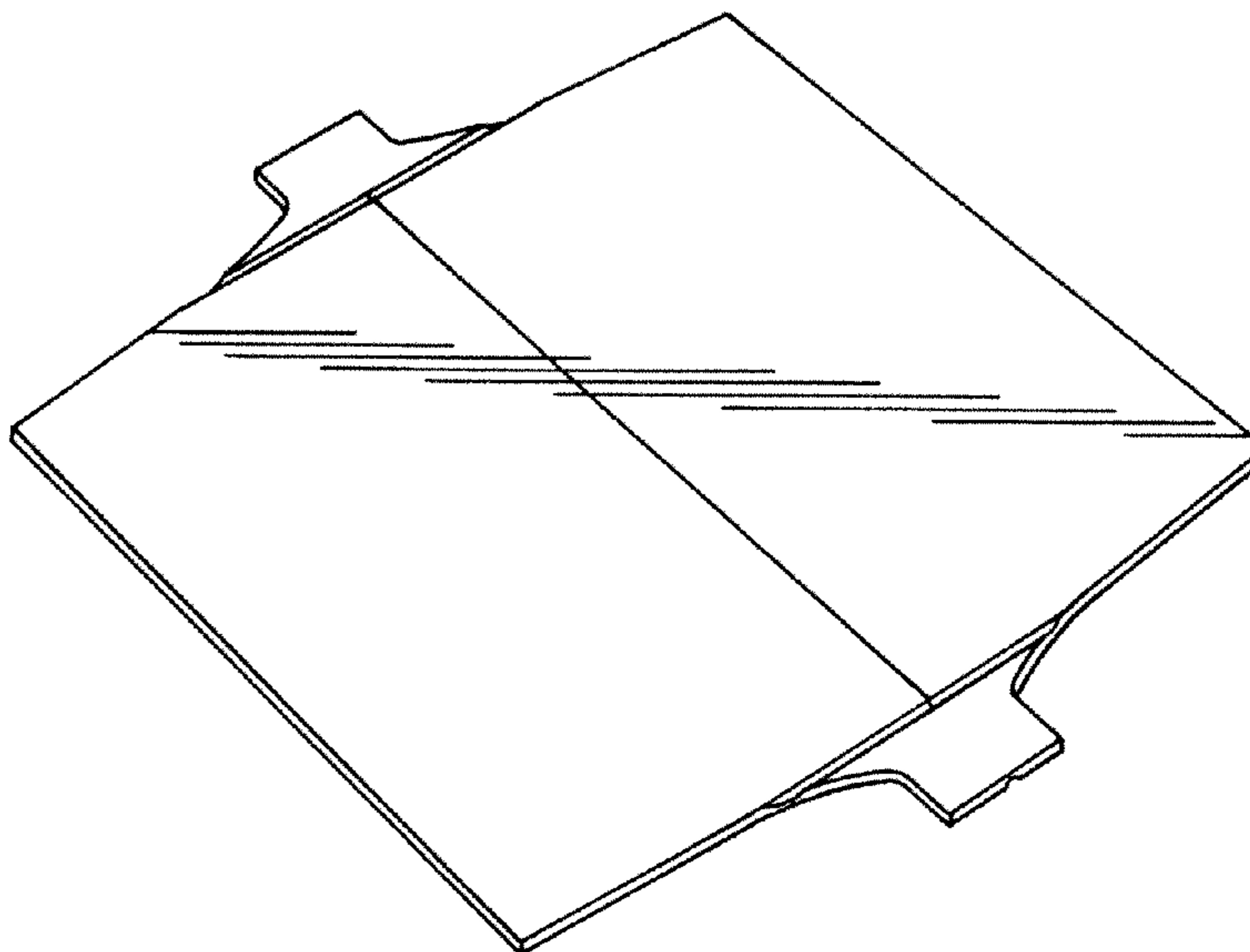
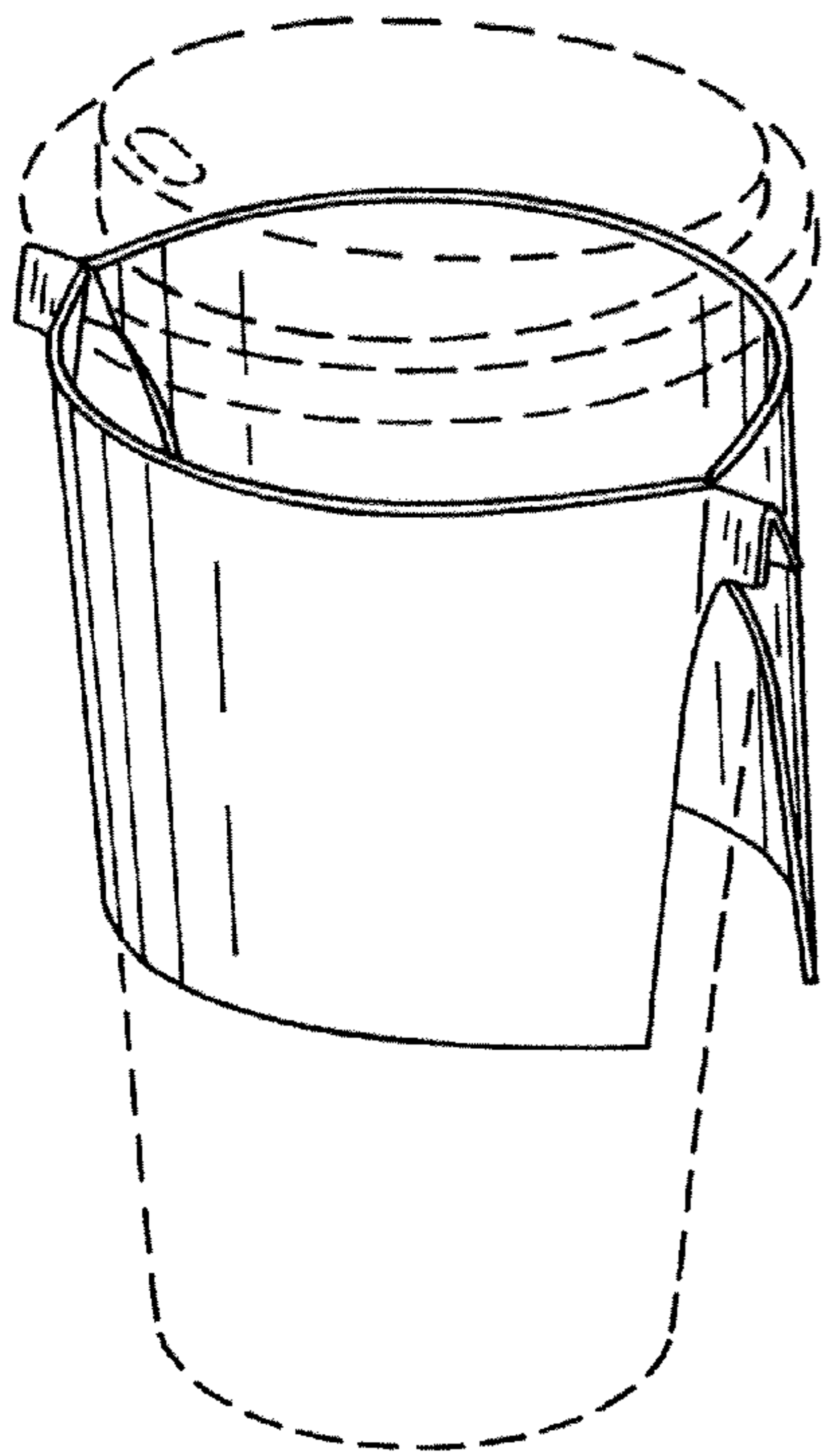
FIG. 6 is a top plan view thereof;

FIG. 7 is a bottom plan view thereof; and,

FIG. 8 is a rear elevation view thereof.

In the drawings, the broken lines depict environmental subject matter only and form no part of the claimed design.

**1 Claim, 3 Drawing Sheets**



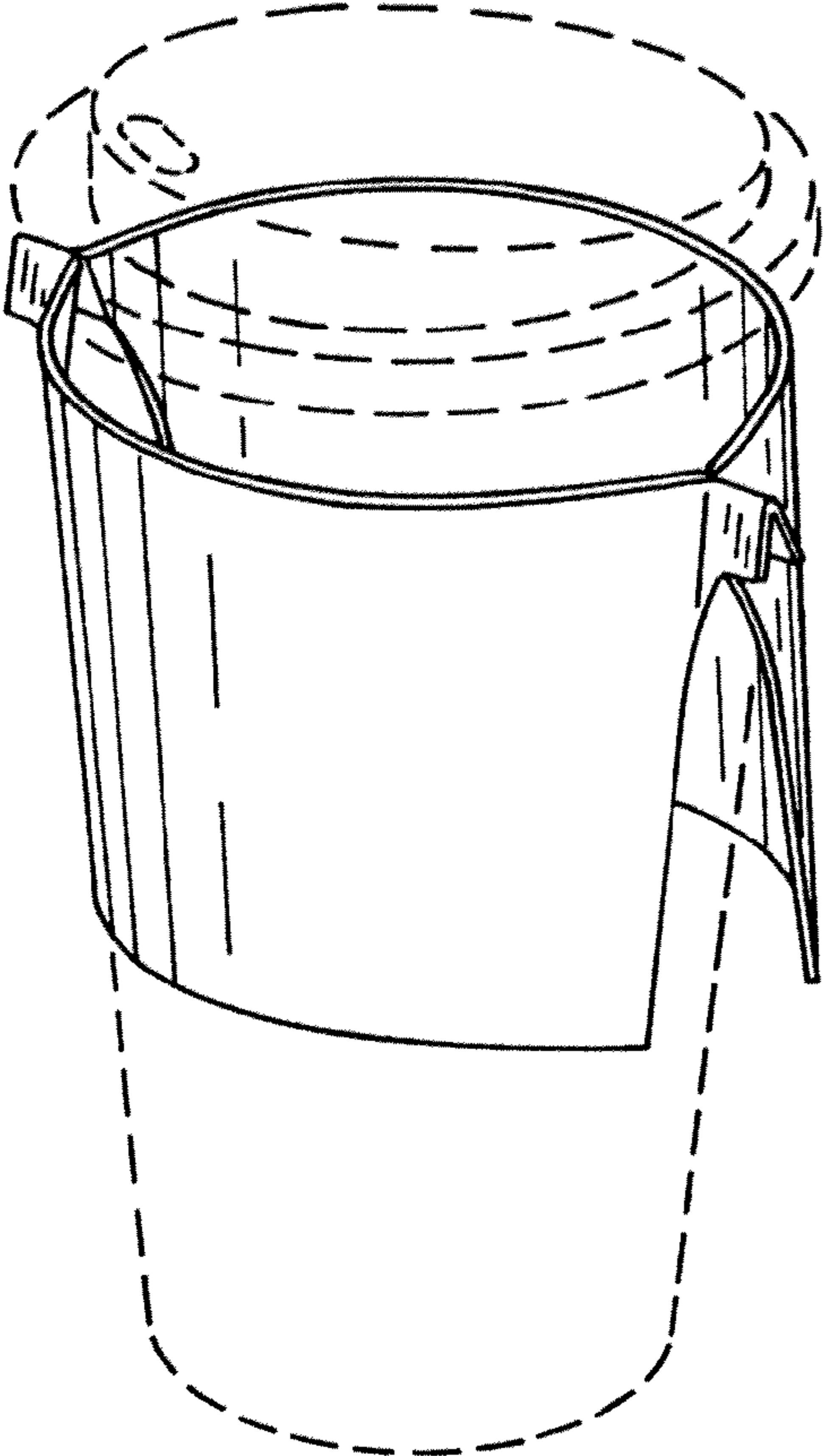


FIG. 1

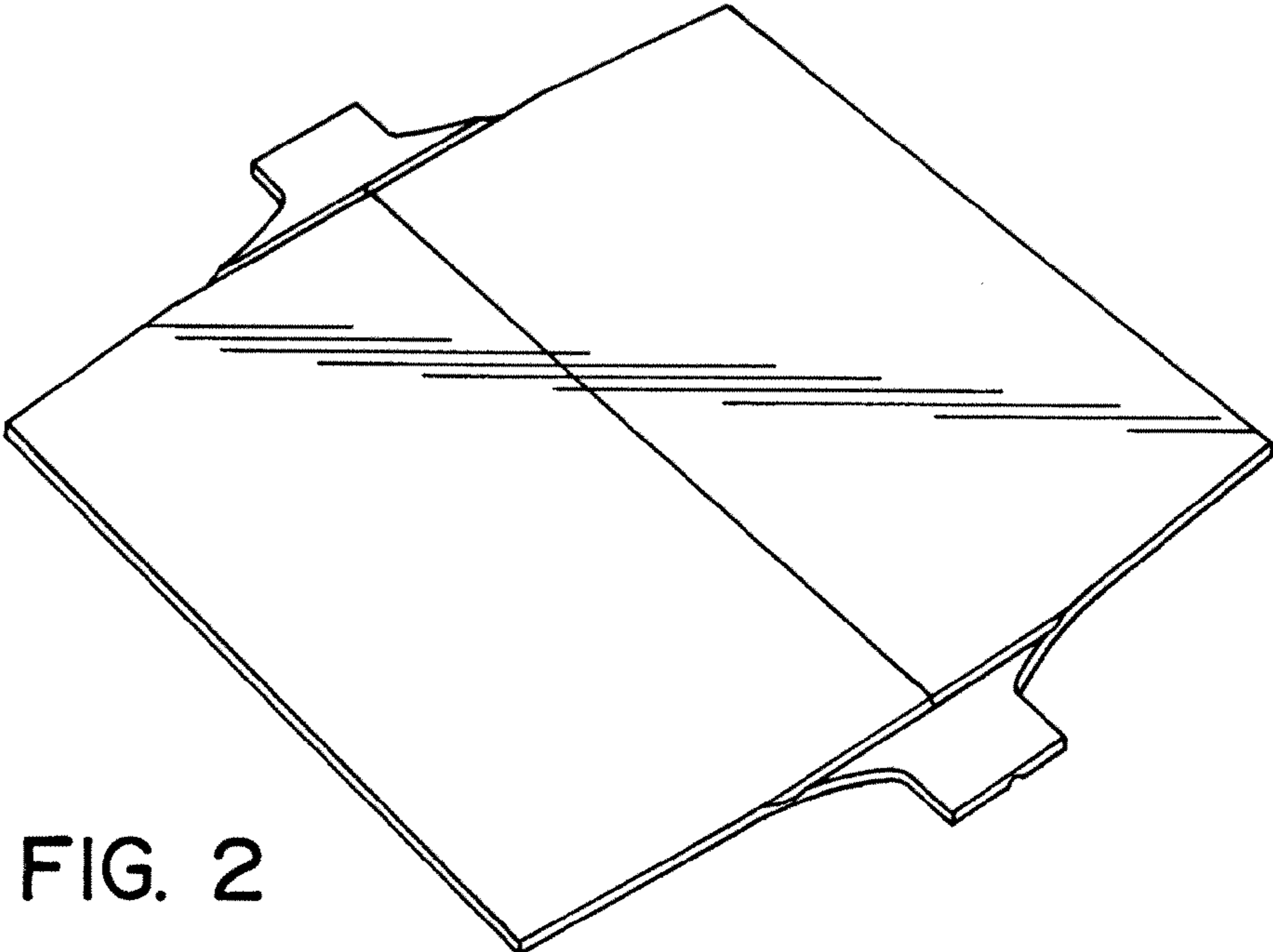


FIG. 2

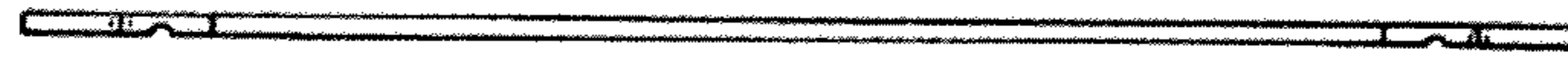


FIG. 6



FIG. 4

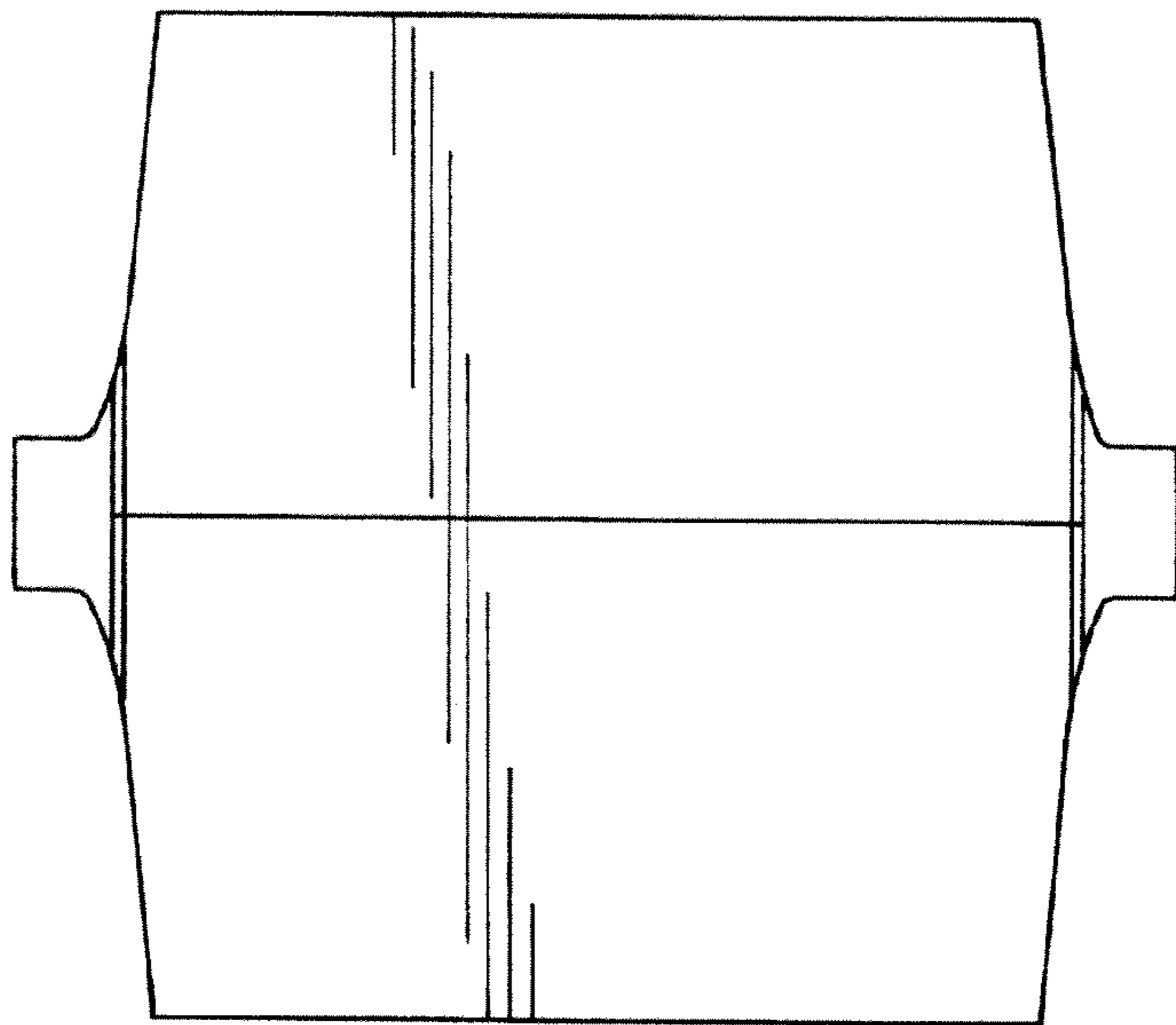


FIG. 3



FIG. 5



FIG. 7

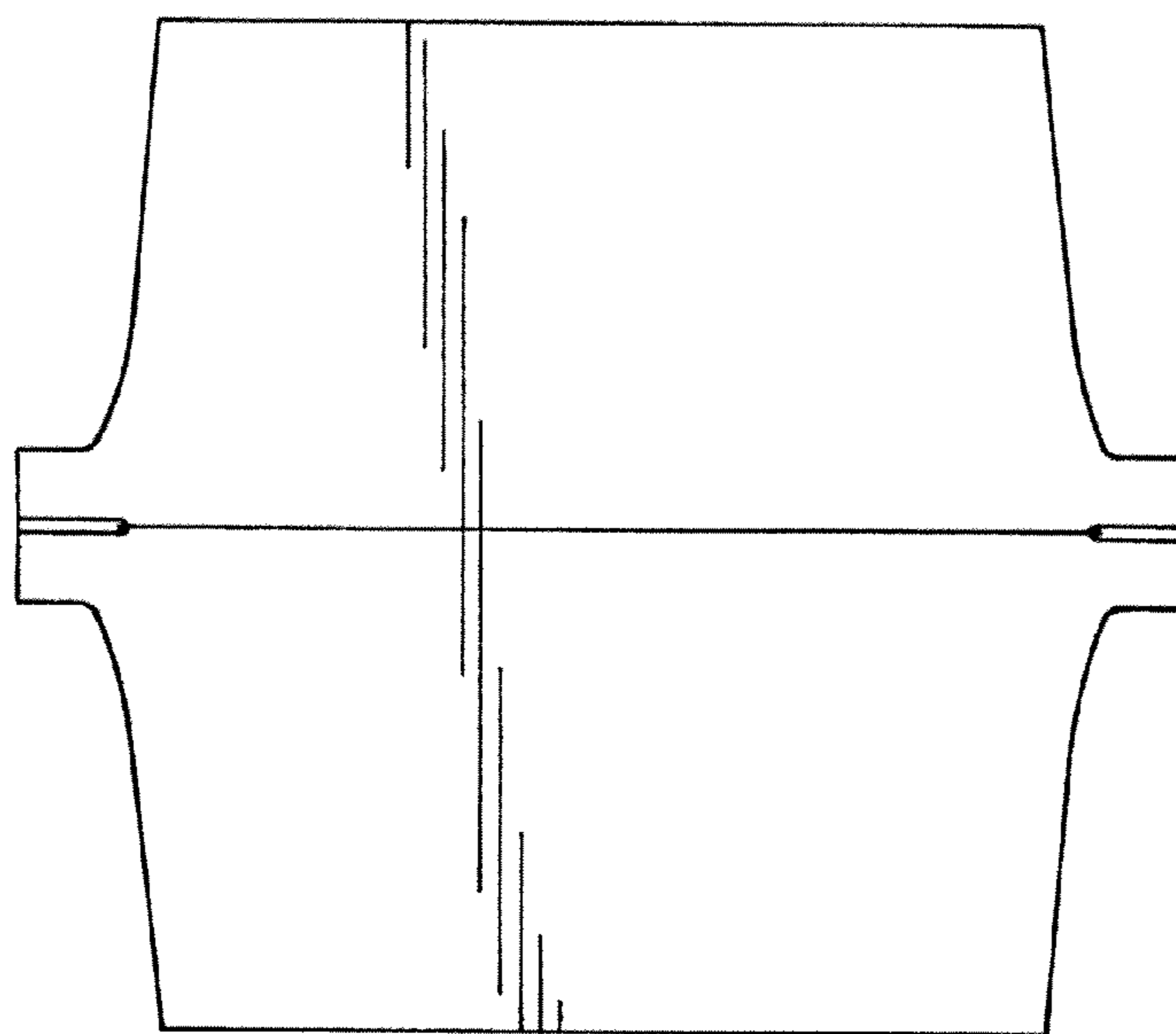


FIG. 8