



US00D648177S

(12) **United States Design Patent**
Eyal

(10) **Patent No.:** **US D648,177 S**

(45) **Date of Patent:** **** Nov. 8, 2011**

(54) **BEVERAGE CONTAINER**

(75) Inventor: **Sharon Eyal**, Oxnard, CA (US)

(73) Assignee: **ETS Express, Inc.**, Oxnard, CA (US)

(**) Term: **14 Years**

(21) Appl. No.: **29/377,800**

(22) Filed: **Oct. 26, 2010**

(51) **LOC (9) Cl.** **07-01**

(52) **U.S. Cl.** **D7/510; D7/511; D7/523**

(58) **Field of Classification Search** D7/510,
D7/511, 509, 523; D9/503, 543, 545, 529,
D9/504; 220/592.16, 592.17

See application file for complete search history.

(56) **References Cited**

U.S. PATENT DOCUMENTS

D560,097 S *	1/2008	Shen	D7/510
D594,088 S *	6/2009	Pritchard	D23/207
D596,458 S *	7/2009	McKinney	D7/510
D601,311 S *	9/2009	DeSeguirant, Jr.	D30/160
D609,969 S *	2/2010	McKinney	D7/510

D621,220 S *	8/2010	Lown et al.	D7/510
D623,460 S *	9/2010	Krasner	D7/300.1
D644,489 S *	9/2011	Trombly	D7/510

* cited by examiner

Primary Examiner — Marianne Pandozzi

(74) *Attorney, Agent, or Firm* — Kleinberg & Lerner, LLP;
Marvin H. Kleinberg

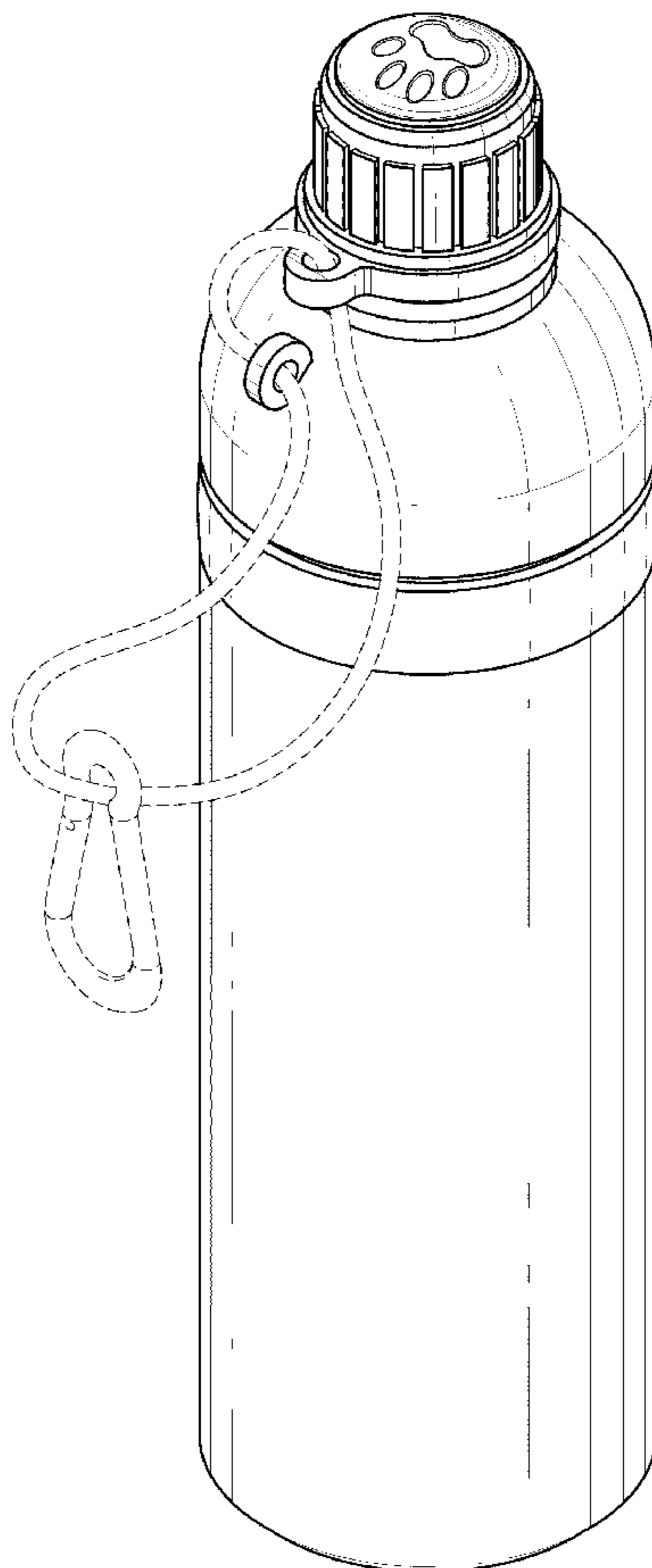
(57) **CLAIM**

The ornamental design for a beverage container, as shown and described.

DESCRIPTION

FIG. 1 is a top perspective view of a beverage container showing my new design;
FIG. 2 is a right side view thereof;
FIG. 3 is a side view of the beverage container of FIG. 1;
FIG. 4 is a left side view thereof;
FIG. 5 is an enlarged top plan view thereof; and,
FIG. 6 is an enlarged bottom plan view thereof.
The left and right sides are mirror images of each other.
The broken lines in the drawings are included for the purpose of illustration and form no part of the claimed design.

1 Claim, 5 Drawing Sheets



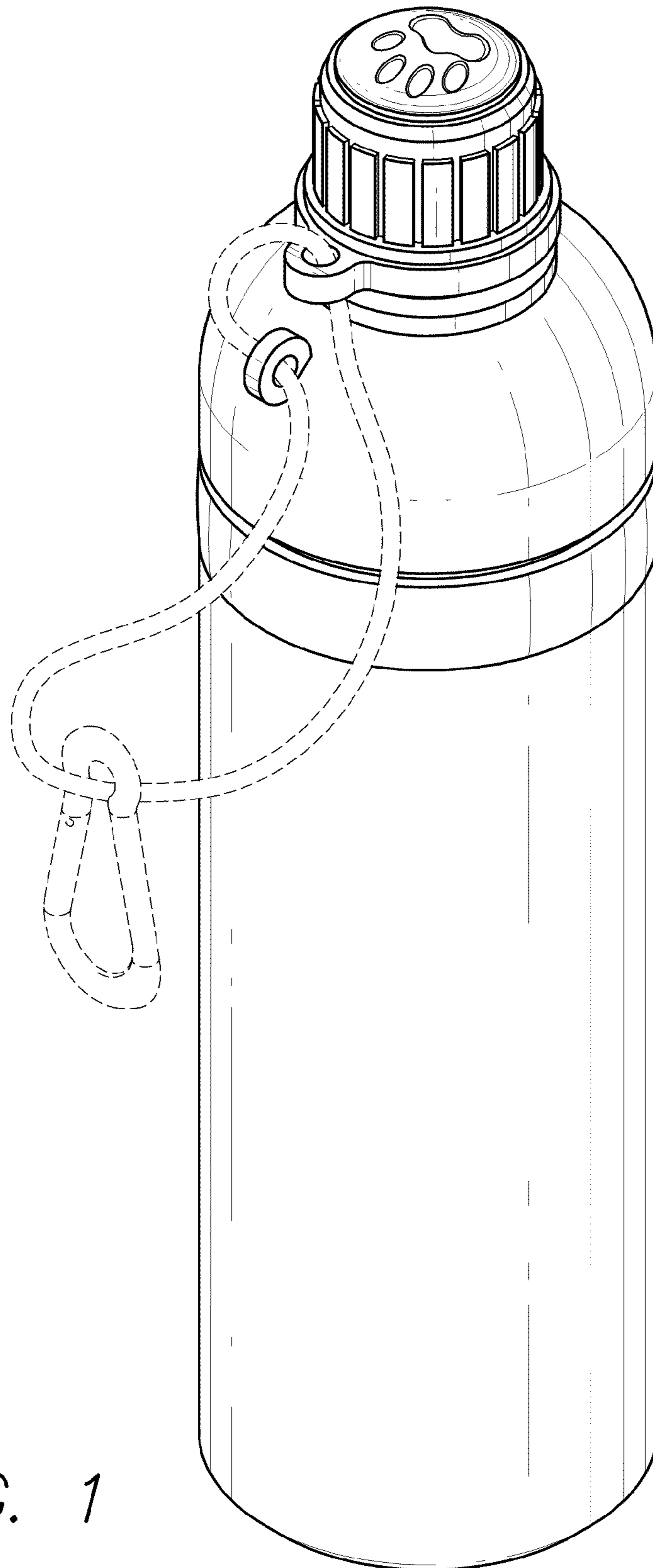


FIG. 1

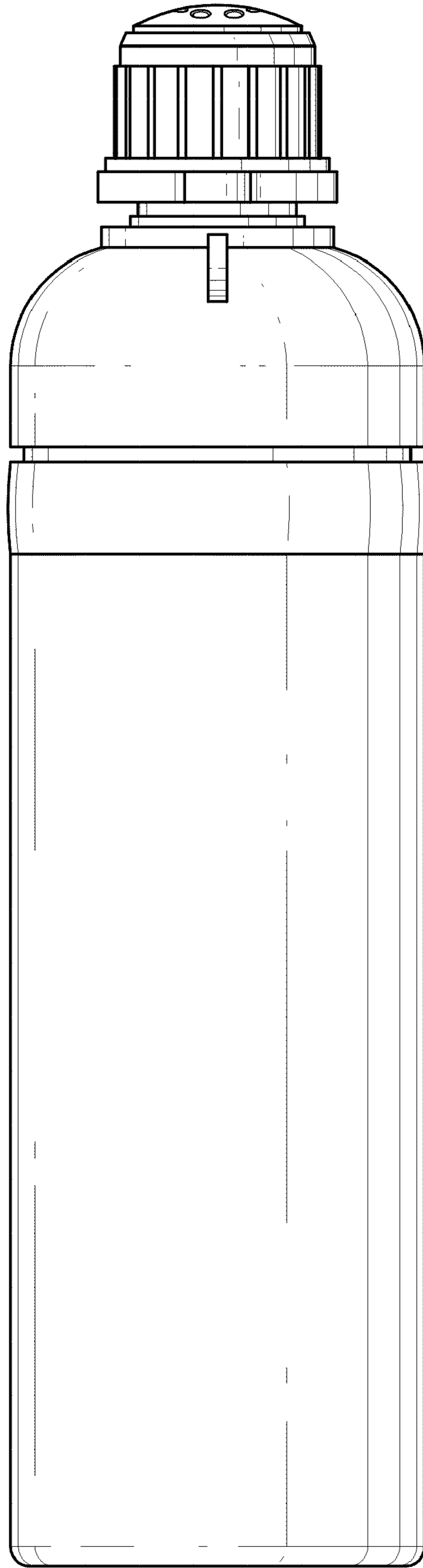


FIG. 2

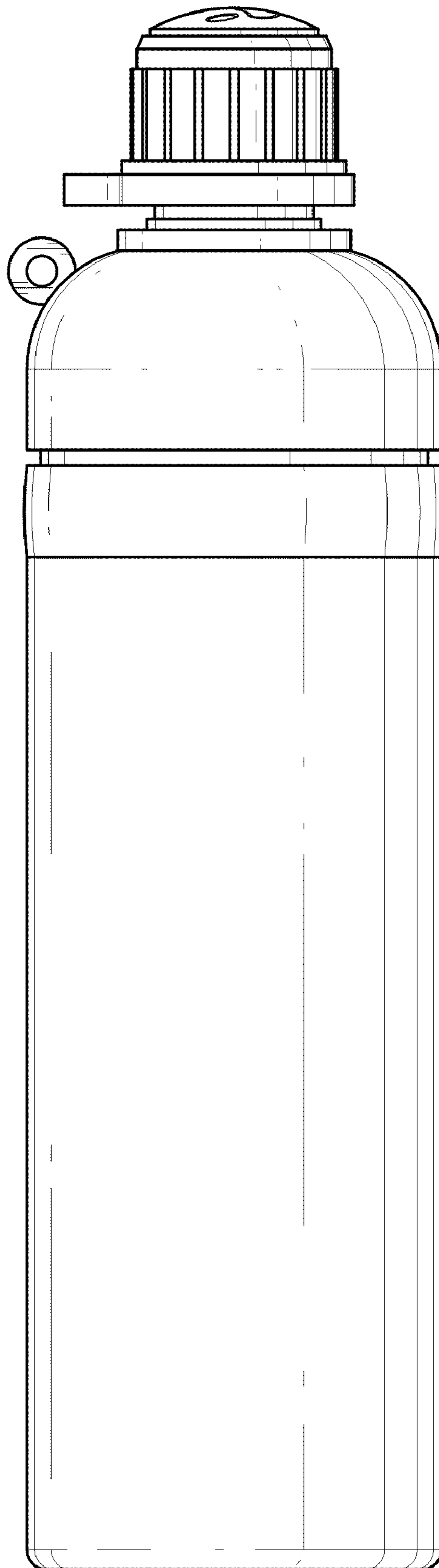


FIG. 3

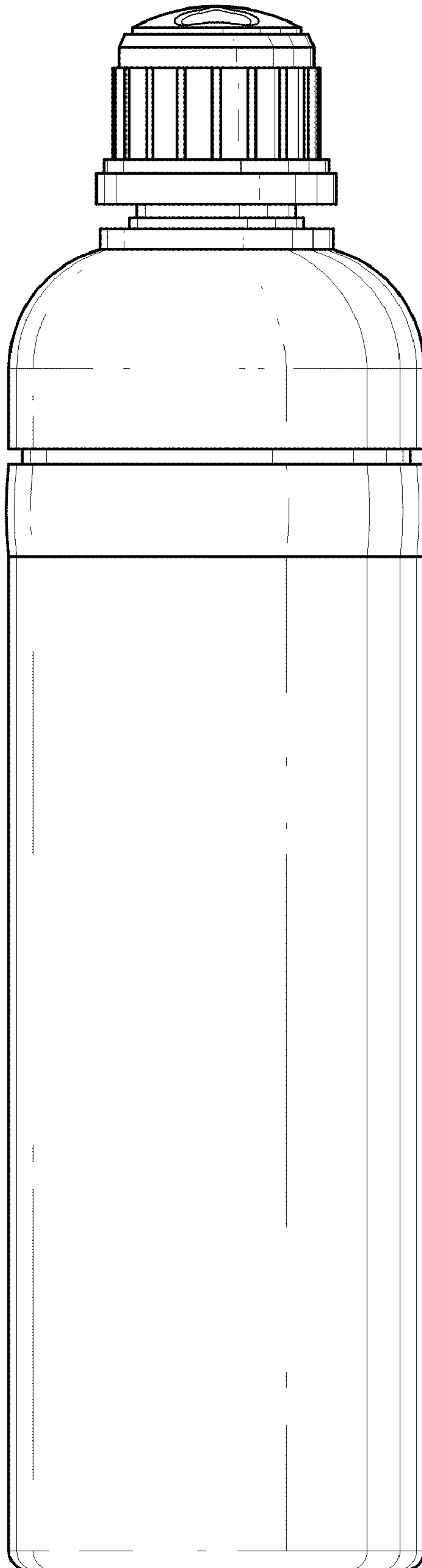


FIG. 4

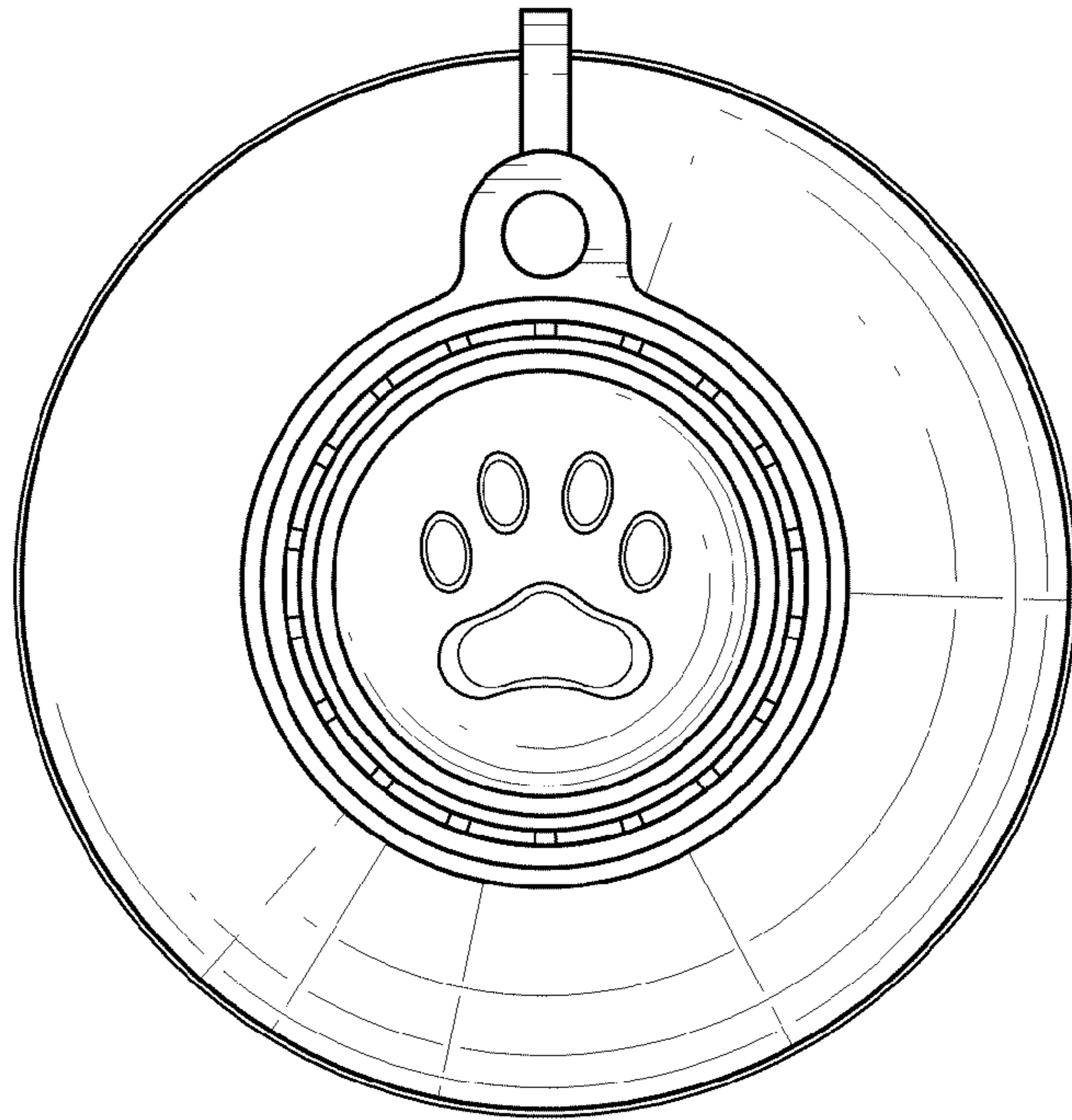


FIG. 5

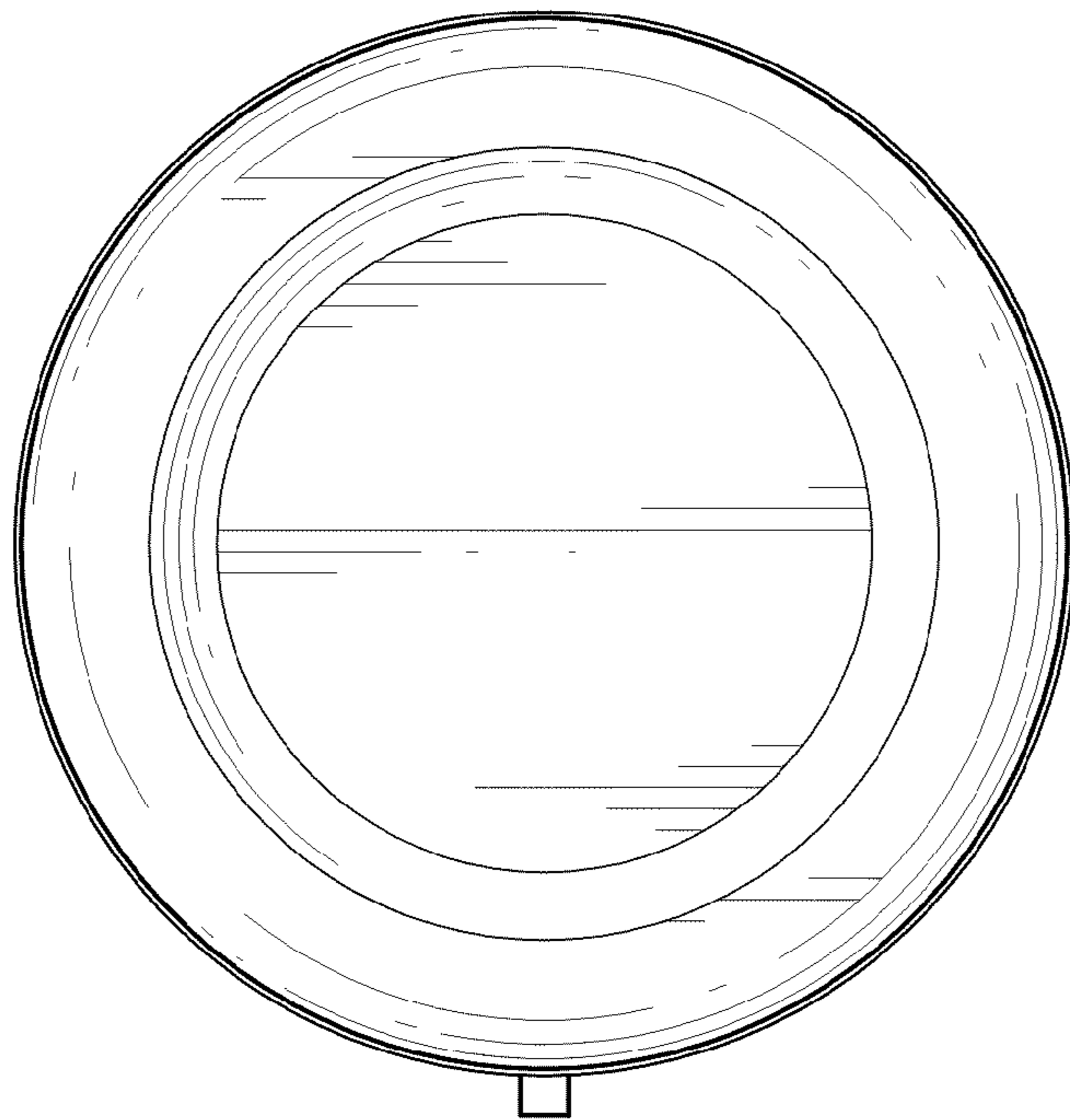


FIG. 6