



US00D648172S

(12) **United States Design Patent**
Richmond

(10) **Patent No.:** **US D648,172 S**

(45) **Date of Patent:** **** Nov. 8, 2011**

(54) **FLATWARE**

(75) Inventor: **Colin B. Richmond**, Scottsville, NY
(US)

(73) Assignee: **Oneida Ltd.**, Oneida, NY (US)

(**) Term: **14 Years**

(21) Appl. No.: **29/394,022**

(22) Filed: **Jun. 13, 2011**

(51) **LOC (9) Cl.** **07-02**

(52) **U.S. Cl.** **D7/401.2; D7/653**

(58) **Field of Classification Search** D7/368,
D7/395, 401.2, 642-646, 649-654, 660-664,
D7/669, 675-676, 683, 688-692, 695-696;
30/137, 141-143, 147-150, 322-327, 329,
30/340, 342-344; 416/70 R
See application file for complete search history.

(56) **References Cited**

U.S. PATENT DOCUMENTS

D37,406 S *	4/1905	Codman	D7/653
D84,127 S *	5/1931	Ball	D7/653
D84,611 S *	7/1931	Warren	D7/653
D84,729 S *	7/1931	Ball	D7/653
D86,187 S *	2/1932	Warren	D7/662
D92,789 S *	7/1934	Woodward	D7/653
D130,917 S *	12/1941	Conroy	D7/653
D183,631 S *	9/1958	Ressegger	D7/653
D289,846 S *	5/1987	Richmond, II	D7/653
D297,495 S *	9/1988	Richmond, II	D7/653

D493,336 S *	7/2004	Shane-Schuldt	D7/654
D576,843 S *	9/2008	Ito	D7/653
D618,053 S *	6/2010	Croll	D7/401.2

* cited by examiner

Primary Examiner — Ricky Pham

(74) *Attorney, Agent, or Firm* — George R McGuire; Bond Schoeneck & King

(57) **CLAIM**

The ornamental design for flatware, as shown and described.

DESCRIPTION

FIG. 1 is a top plan view of a new and ornamental design for flatware embodied as a spoon, with the spoon portion shown in phantom for illustrative purposes only and forming no part of the claimed design;

FIG. 2 is a bottom plan view thereof;

FIG. 3 is a side elevation view thereof, the opposite side being a mirror image;

FIG. 4 is an enlarged cross-sectional view taken along section line 4-4 of FIG. 1 to illustrate the exterior peripheral shape of the article at the cross-section and with the interior construction details being illustrated in phantom lines and not forming any part of the claimed design; and,

FIG. 5 is an enlarged cross-sectional view taken along section line 5-5 of FIG. 1 to illustrate the exterior peripheral shape of the article at the cross-section and with the interior construction details being illustrated in phantom lines and not forming any part of the claimed design.

1 Claim, 2 Drawing Sheets

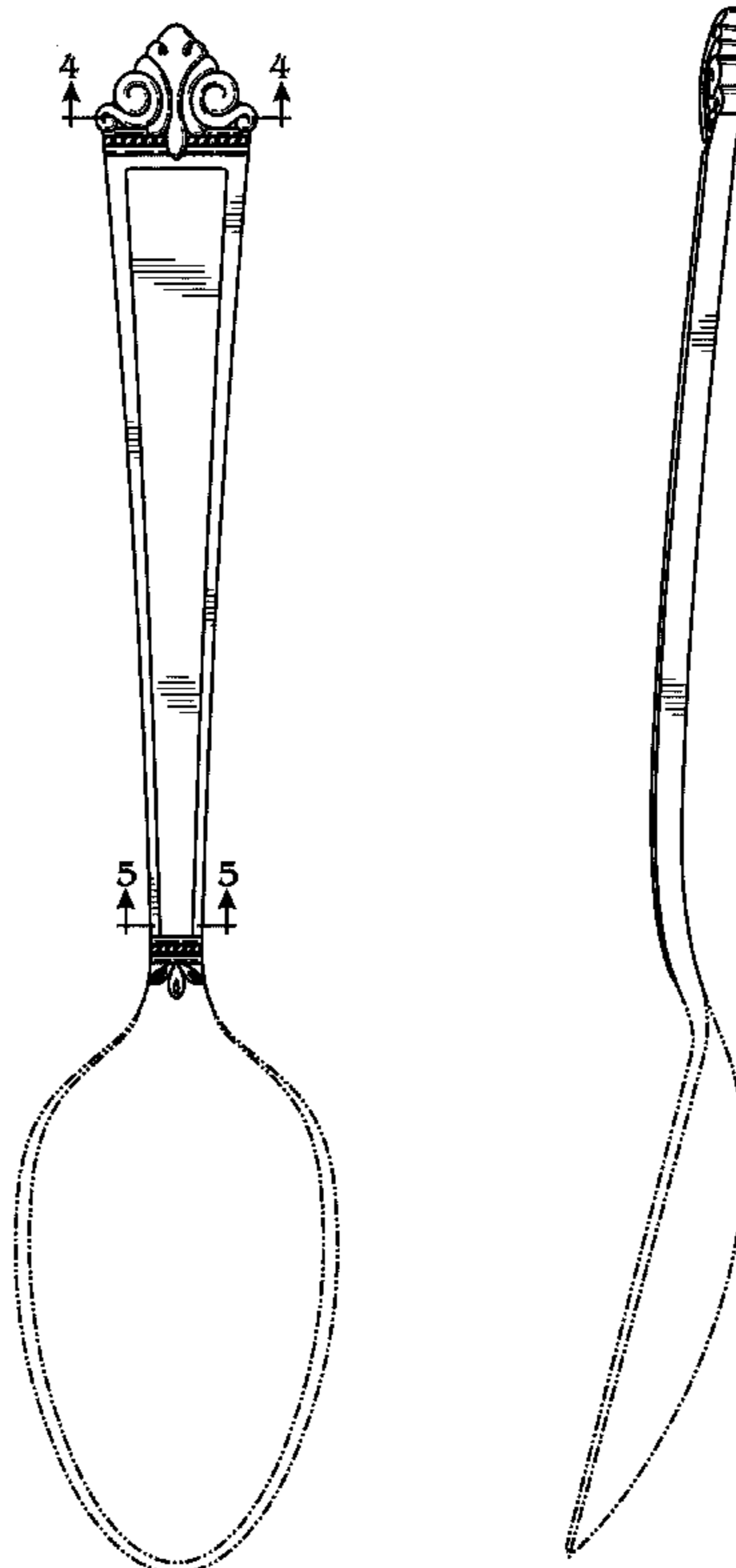


Fig. 1

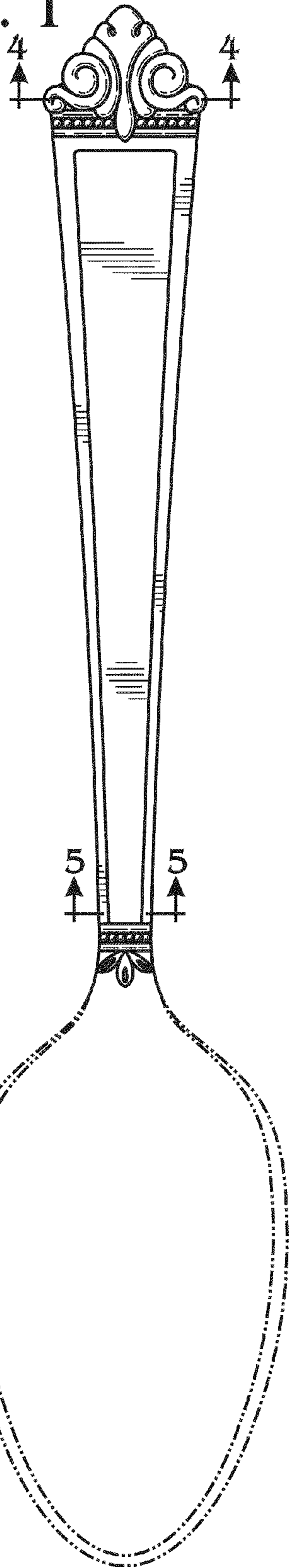


Fig. 2

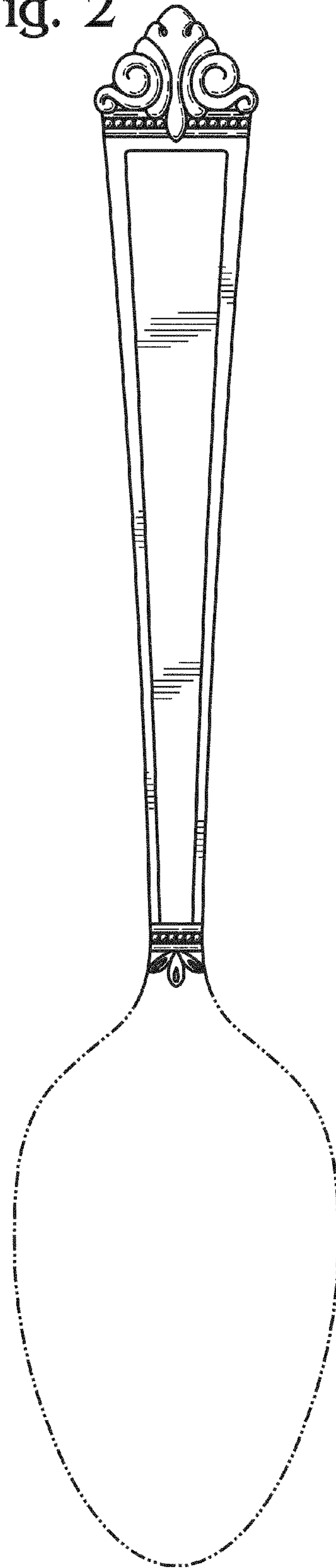


Fig. 3

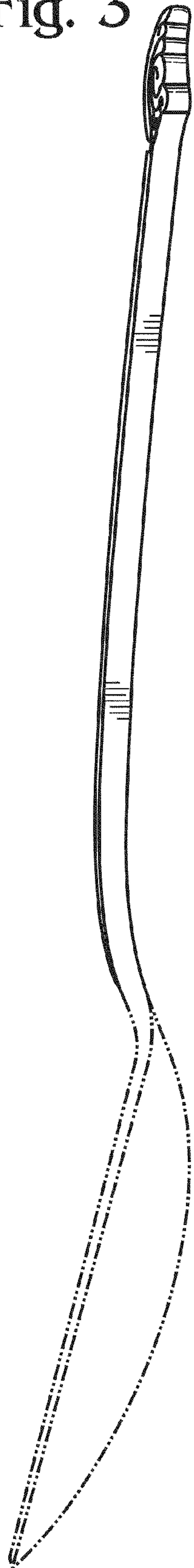


Fig. 4

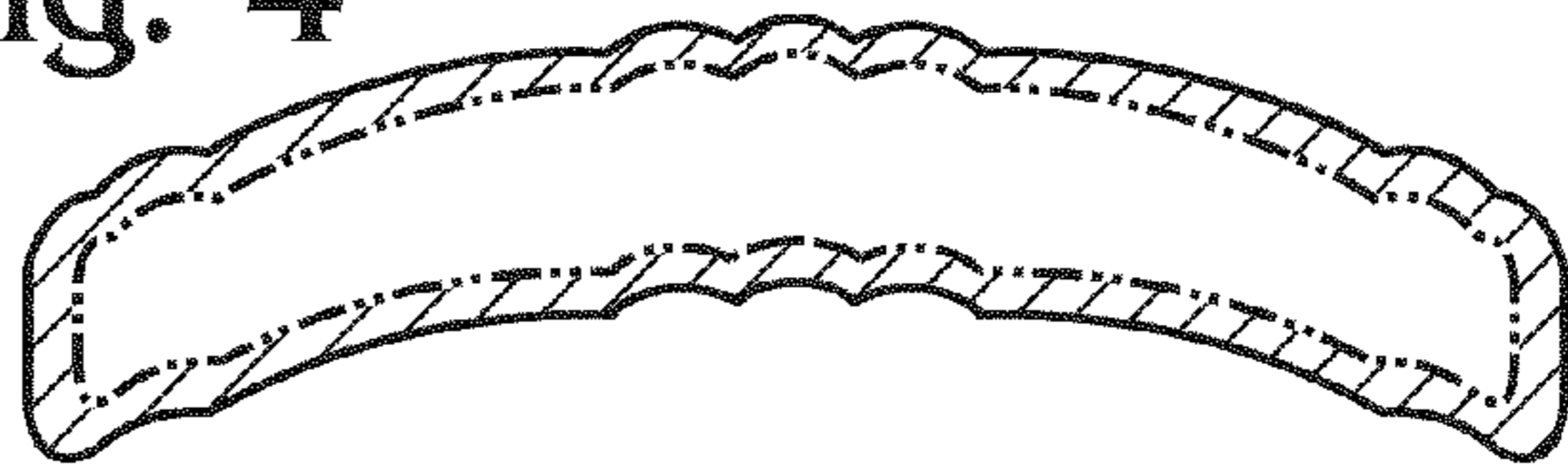


Fig. 5

