



US00D648171S

(12) **United States Design Patent**
Rusnak

(10) **Patent No.:** **US D648,171 S**

(45) **Date of Patent:** **** Nov. 8, 2011**

- (54) **CONTAINER FOR FOOD**
- (75) Inventor: **John E. Rusnak**, Aurora, IL (US)
- (73) Assignee: **The Glad Products Company**, Oakland, CA (US)
- (**) Term: **14 Years**
- (21) Appl. No.: **29/358,031**
- (22) Filed: **Mar. 22, 2010**
- (51) **LOC (9) Cl.** **07-01**
- (52) **U.S. Cl.** **D7/392; D7/391**
- (58) **Field of Classification Search** D7/392, D7/391, 538, 541, 392.1, 602, 629, 553.2, D7/553.8; D9/435, 425, 416; 220/326, 575, 220/23.8, 556, 213
See application file for complete search history.

D539,098 S	3/2007	Tucker et al.	
D539,099 S	3/2007	Tucker et al.	
D540,669 S *	4/2007	George et al.	D9/435
D555,982 S	11/2007	Tucker et al.	
D555,983 S	11/2007	Tucker et al.	
D562,640 S	2/2008	Tucker et al.	
D566,482 S	4/2008	Tucker et al.	
D566,483 S	4/2008	Tucker et al.	
D595,085 S *	6/2009	Carlson	D7/392
D619,000 S *	7/2010	Scheve	D9/436
D642,462 S *	8/2011	Samartgis	D9/435

* cited by examiner

Primary Examiner — Cynthia Underwood
(74) *Attorney, Agent, or Firm* — David Peterson

(57) **CLAIM**
The ornamental design for a container for food, as shown and described.

DESCRIPTION

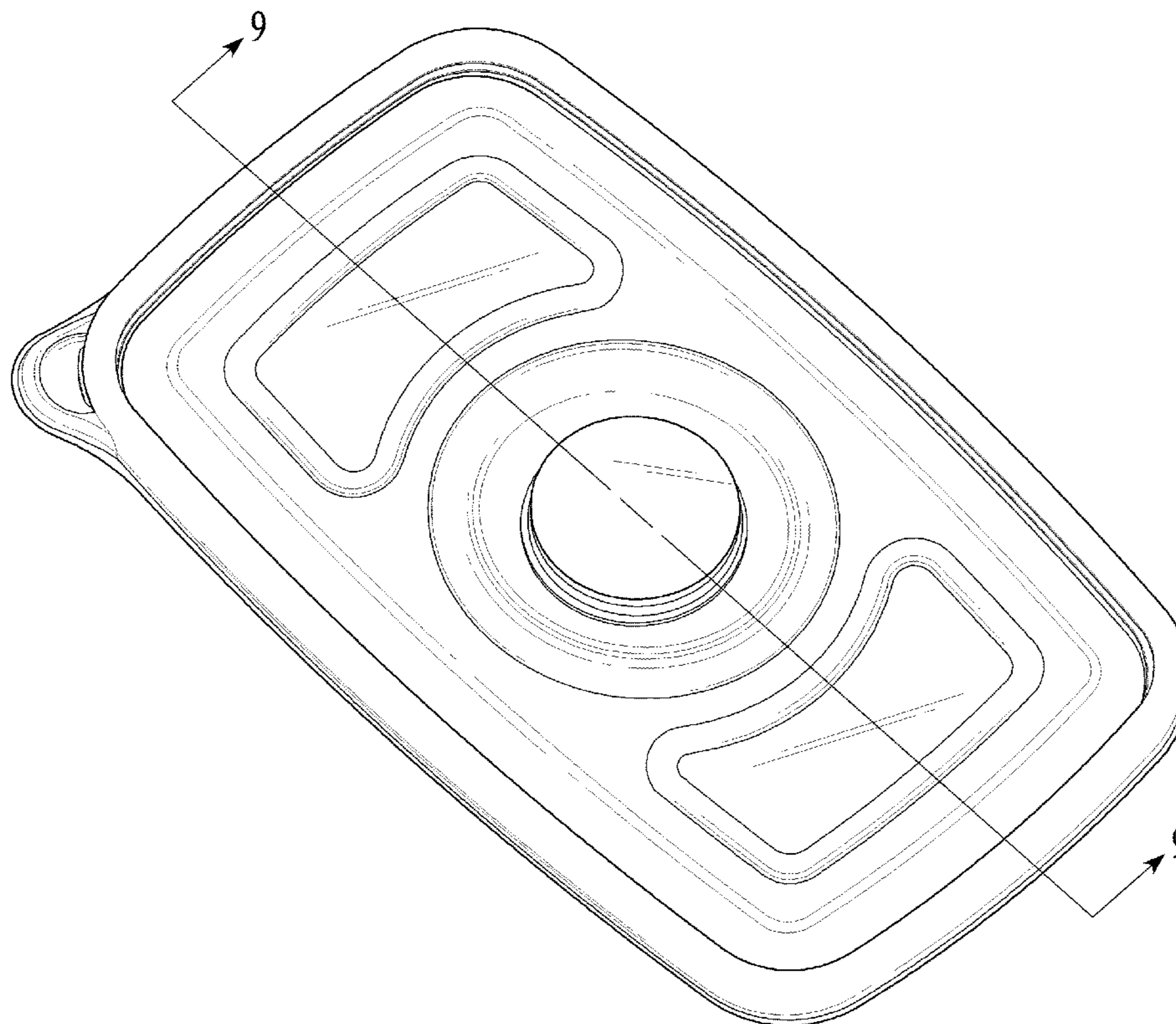
FIG. 1 is a top perspective view of a container for food showing our new design;
FIG. 2 is a bottom perspective view thereof;
FIG. 3 is a front view thereof;
FIG. 4 is a rear view thereof;
FIG. 5; is a right side view thereof;
FIG. 6 is a left side view thereof;
FIG. 7 is a top view thereof;
FIG. 8 is a bottom view thereof;
FIG. 9 is a sectional front view thereof; and,
FIG. 10 is an enlarged, partial view of FIG. 9.

1 Claim, 6 Drawing Sheets

(56) **References Cited**

U.S. PATENT DOCUMENTS

D287,573 S *	1/1987	Tyler	D9/435
D321,456 S *	11/1991	Wolff	D7/391
D403,241 S *	12/1998	Nask et al.	D9/435
D440,470 S	4/2001	Tucker et al.	
D440,830 S	4/2001	Tucker et al.	
D470,412 S *	2/2003	Palmer-Ball	D9/435
D484,364 S *	12/2003	Bailey et al.	D7/553.2
D519,327 S	4/2006	Tucker et al.	



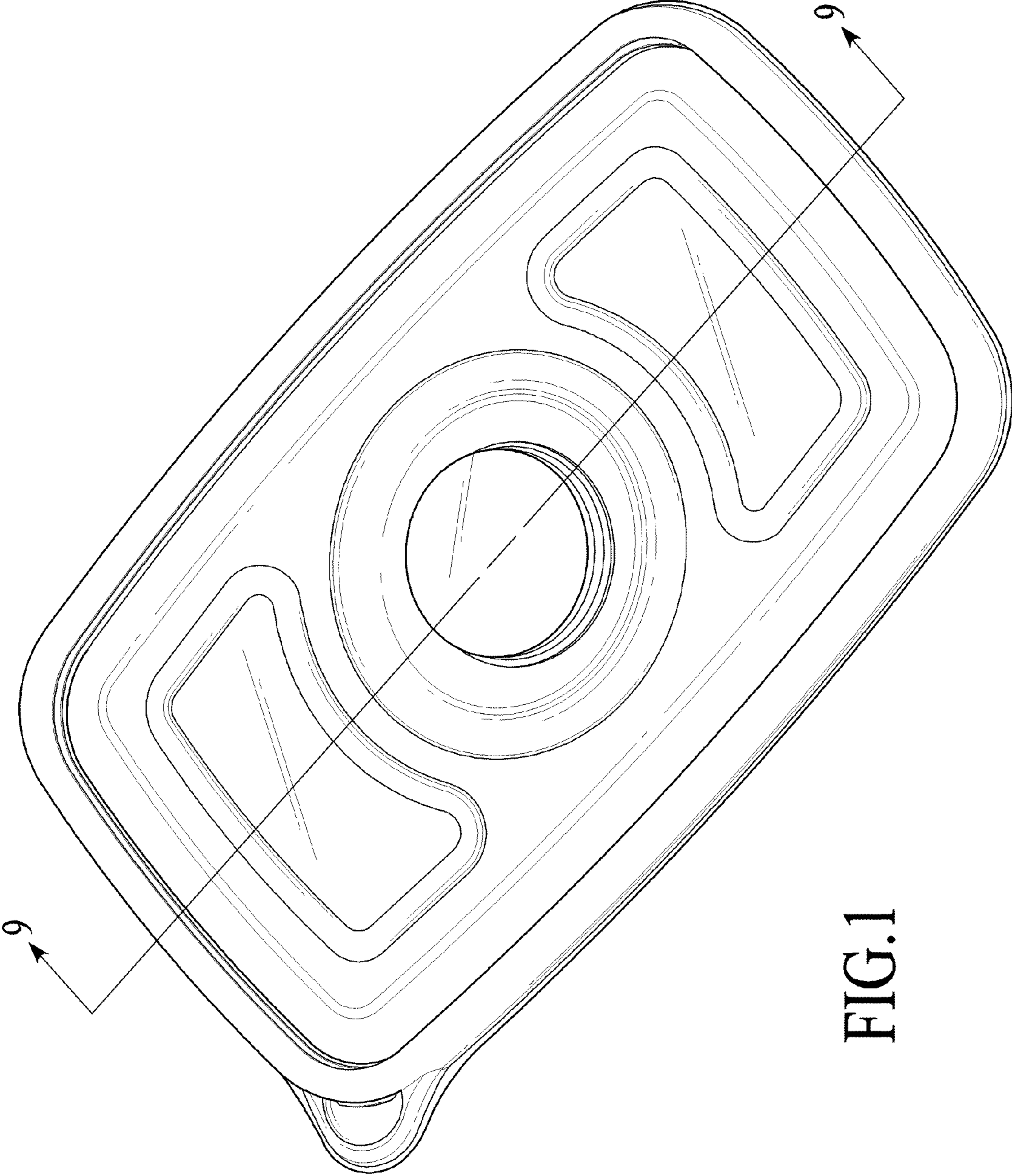


FIG.1

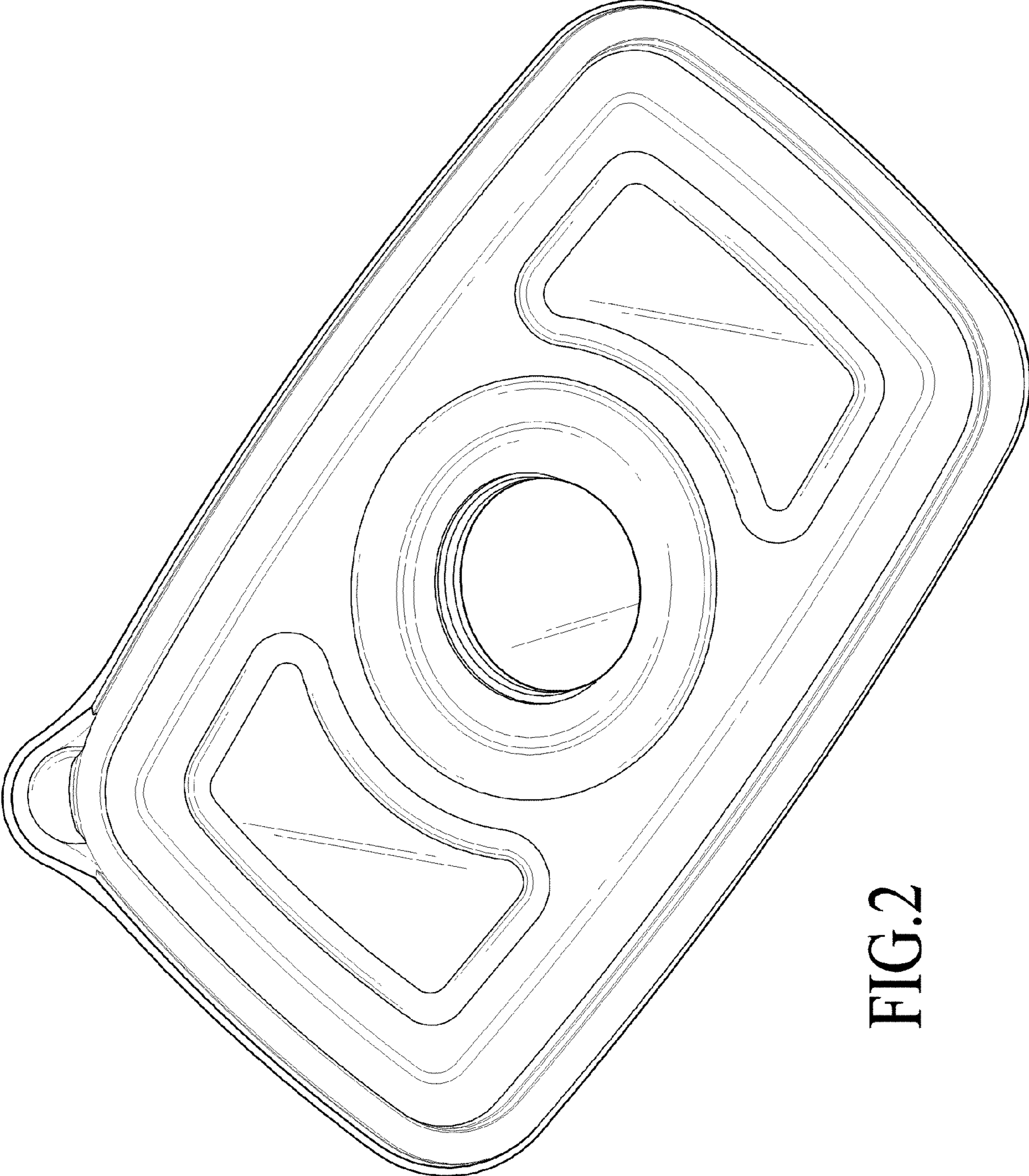


FIG.2

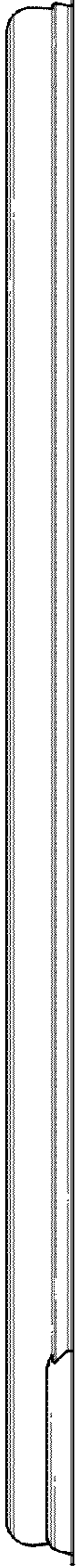


FIG.3

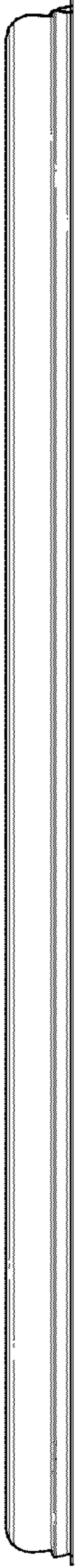


FIG.4



FIG.5

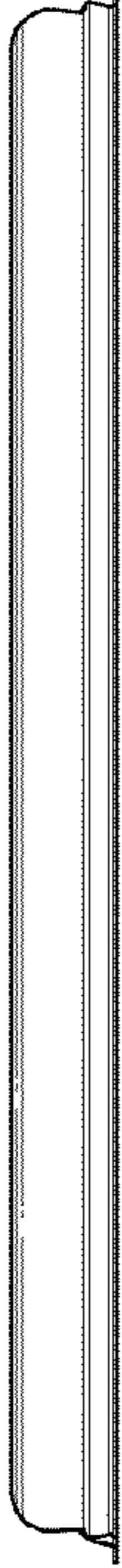


FIG.6

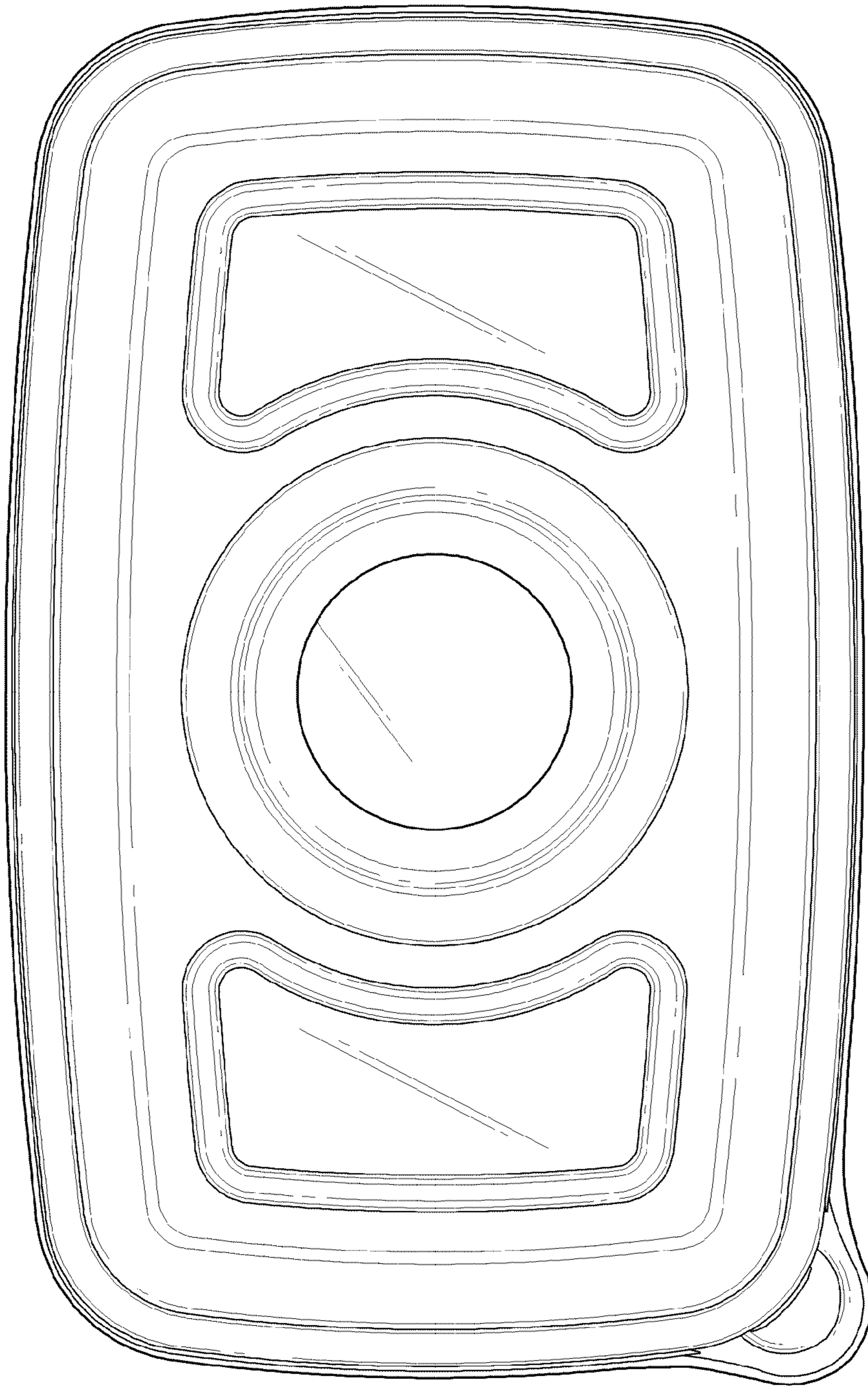


FIG. 7

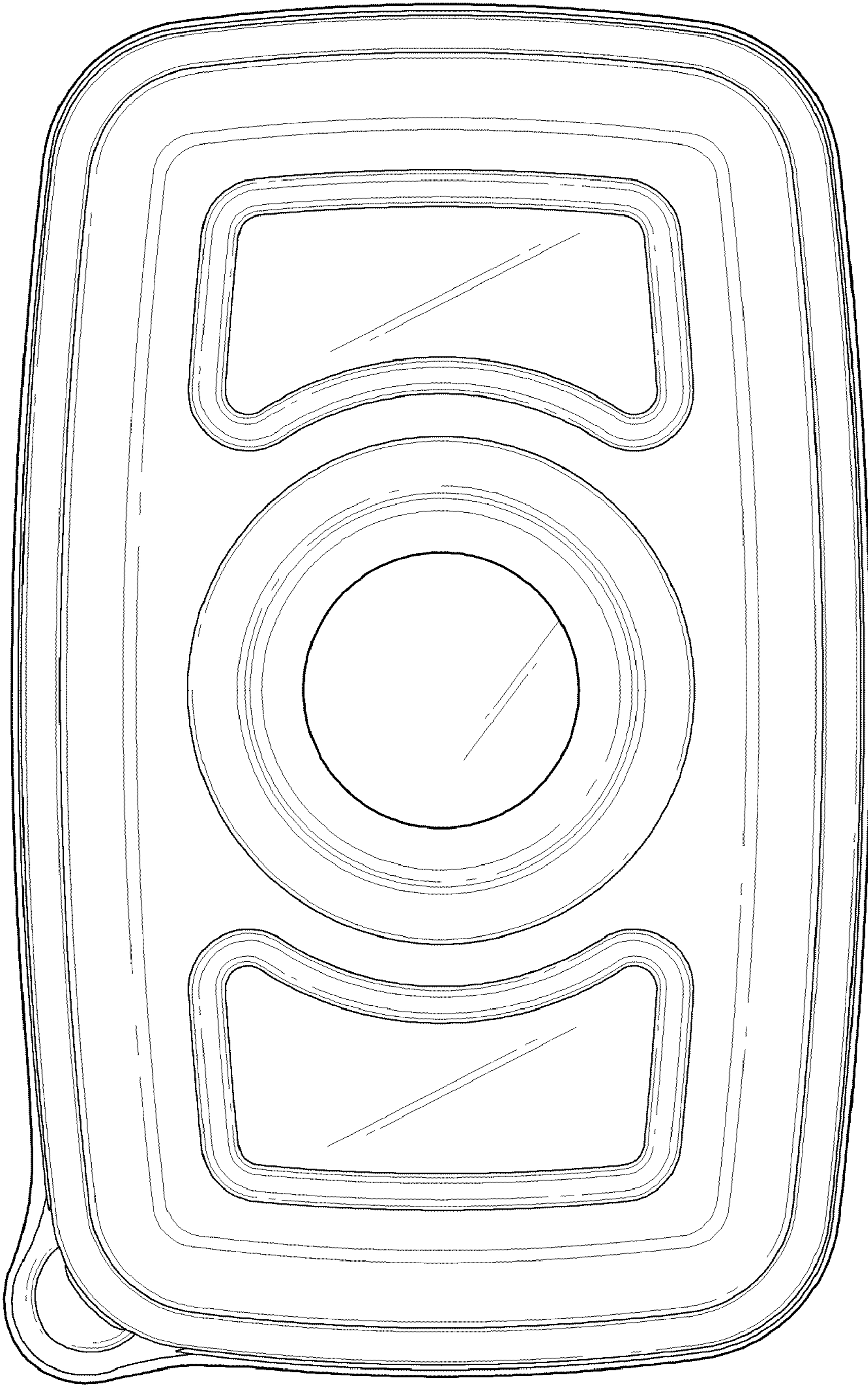


FIG.8

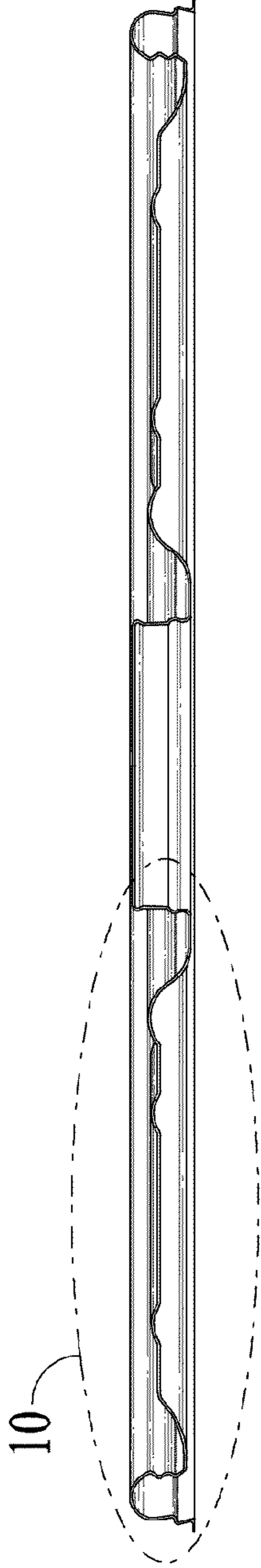


FIG. 9

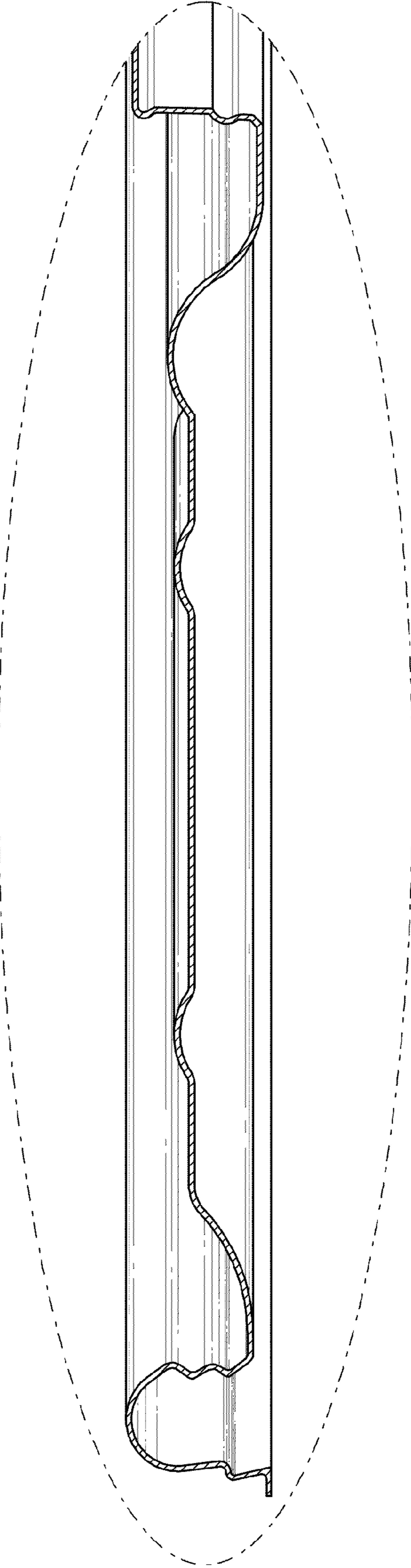


FIG. 10