

US00D648170S

(12) **United States Design Patent**
Curtis et al.

(10) **Patent No.:** **US D648,170 S**
(45) **Date of Patent:** **** Nov. 8, 2011**

(54) **TOASTER**

(75) Inventors: **Brent Aaron Curtis**, Anderson, SC
(US); **Daniel Hartly Green**, Nashville,
TN (US)

(73) Assignee: **Electrolux Home Products, Inc.**,
Charlotte, NC (US)

(**) Term: **14 Years**

(21) Appl. No.: **29/386,861**

(22) Filed: **Mar. 4, 2011**

(51) **LOC (9) Cl.** **07-02**

(52) **U.S. Cl.** **D7/330**

(58) **Field of Classification Search** D7/323,
D7/328-334, 340-341, 346, 350.4, 354-365,
D7/367, 390, 402, 405-411; 99/326-327,
99/329 R, 331-332, 341, 349, 357, 375, 385-389,
99/392, 400, 423; 219/385-392, 405, 443.1,
219/450.1, 489, 492, 532; 426/233, 523
See application file for complete search history.

(56) **References Cited**

U.S. PATENT DOCUMENTS

2,309,640	A *	1/1943	Gough	99/327
D177,033	S *	3/1956	Guild	D7/330
2,779,849	A *	1/1957	Gomersall	219/532
2,838,989	A	6/1958	Clark et al.	
3,169,469	A *	2/1965	Parr	99/400
D203,527	S *	1/1966	Peterson	D7/330
3,350,997	A *	11/1967	Kimura et al.	99/329 R
D218,210	S	7/1970	Felske	
3,866,525	A	2/1975	Oxel	
4,136,607	A	1/1979	Mitsuo et al.	
D298,997	S	12/1988	Mezey	
D338,592	S *	8/1993	Myers et al.	D7/330
D367,990	S *	3/1996	Roze	D7/330
D409,438	S *	5/1999	Brady	D7/390
5,924,355	A	7/1999	Belknap et al.	

D414,373	S *	9/1999	Cruz	D7/330
D417,119	S	11/1999	Alonge et al.	
D422,833	S *	4/2000	Cruz et al.	D7/330
D430,988	S *	9/2000	Cruz et al.	D7/390
6,789,463	B2	9/2004	Lile	
D557,061	S	12/2007	Genslak et al.	
D590,653	S	4/2009	Lavy	
D634,964	S *	3/2011	Ye	D7/330

FOREIGN PATENT DOCUMENTS

CA	28756	10/1966
CN	3255980	9/2002
CN	3352254	2/2004
CN	3675139	8/2007
CN	301032877	10/2009
CN	301430653	1/2011

(Continued)

OTHER PUBLICATIONS

<http://www.brevilleusa.com/toasting/ikon-2-slice-toaster.html>, ikon
2-Slice Toaster Breville, 2 sheets, dated Jan. 13, 2011.

(Continued)

Primary Examiner — Ricky Pham

(74) *Attorney, Agent, or Firm* — Banner & Witcoff, Ltd.

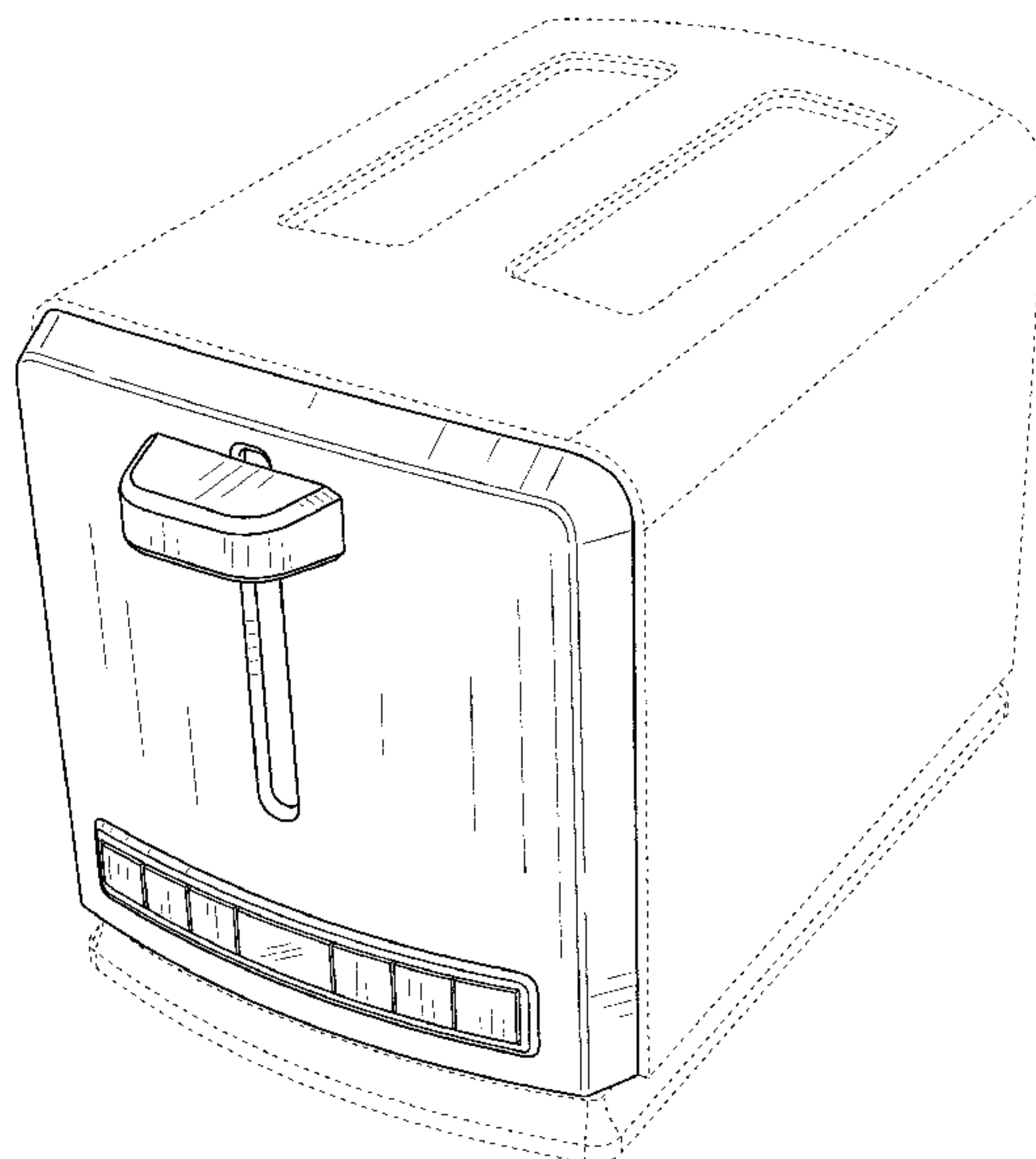
(57) **CLAIM**

The ornamental design for a toaster, as shown and described.

DESCRIPTION

FIG. 1 is a perspective view of a toaster showing our new design;
FIG. 2 is a front view thereof;
FIG. 3 is a right side view thereof;
FIG. 4 is a left side view thereof; and,
FIG. 5 is a top plan view thereof.
The broken line showing of the remainder of the toaster is for environmental purposes only and forms no part of the claimed design.

1 Claim, 5 Drawing Sheets



FOREIGN PATENT DOCUMENTS

CN 301436215 1/2011

OTHER PUBLICATIONS

<http://www.cuisinart.com/products/toasters/cpt-170.html>, Cuisinart Countdown Metal 2-Slice Toaster CPT-170, 1 sheet, dated Jan. 13, 2011.

<http://s7.sears.com/is/image/Sears/00894013000>, Kenmore Elite 2-Slice Toaster, 1 sheet, dated Jan. 13, 2011.

<http://www.kitchenaid.com/flash.cmd?/>, KitchenAid 2 Slice, One-touch motorized life control Toaster with LCD display with digit . . . , 1 sheet, dated Jan. 13, 2011.

<http://www.kitchenaid.com/flash.cmd?/>, KitchenAid 2 Slice, Manual High-Lift Level Toaster with LCD display with digital pro . . . , 1 sheet, dated Jan. 13, 2011.

<http://www.krupsusa.com/All%20Products/Toasters/2-slice%20Toasters/Products/TT6190...> TT6190-2-slice Toasters—Krupps USA-, 1 sheet, dated Jan. 13, 2011.

<http://www.oster.com/Category.aspx?pgid=1053>, 6 Slice Toaster Ovens, Oster six slice toaster ovens, 1 sheet, dated Jan. 13, 2011.

KitchenAid—Toaster, Item model number: KMT222CU, 1 sheet, date unknown, but prior to filing of this application.

* cited by examiner

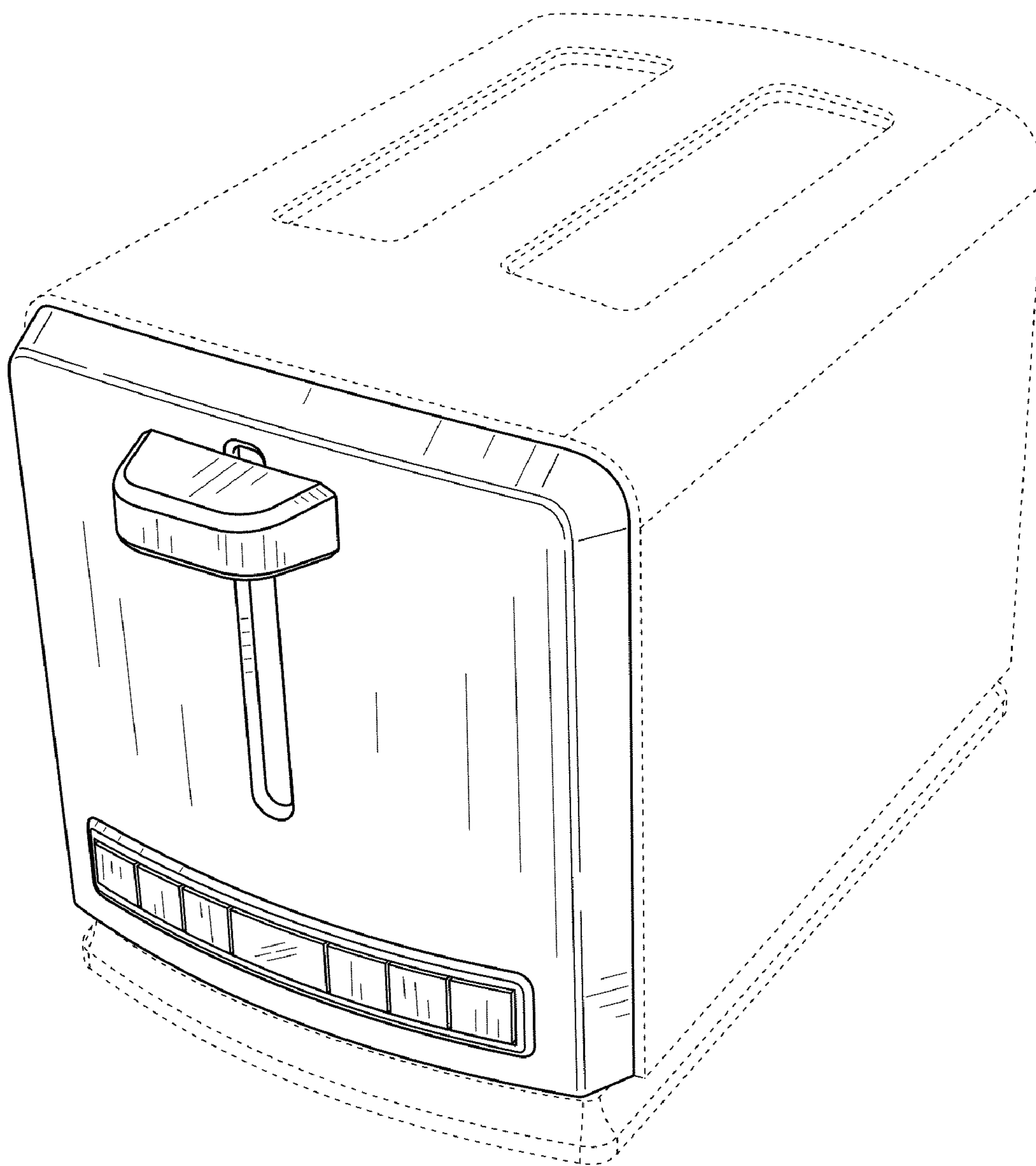


FIG. 1

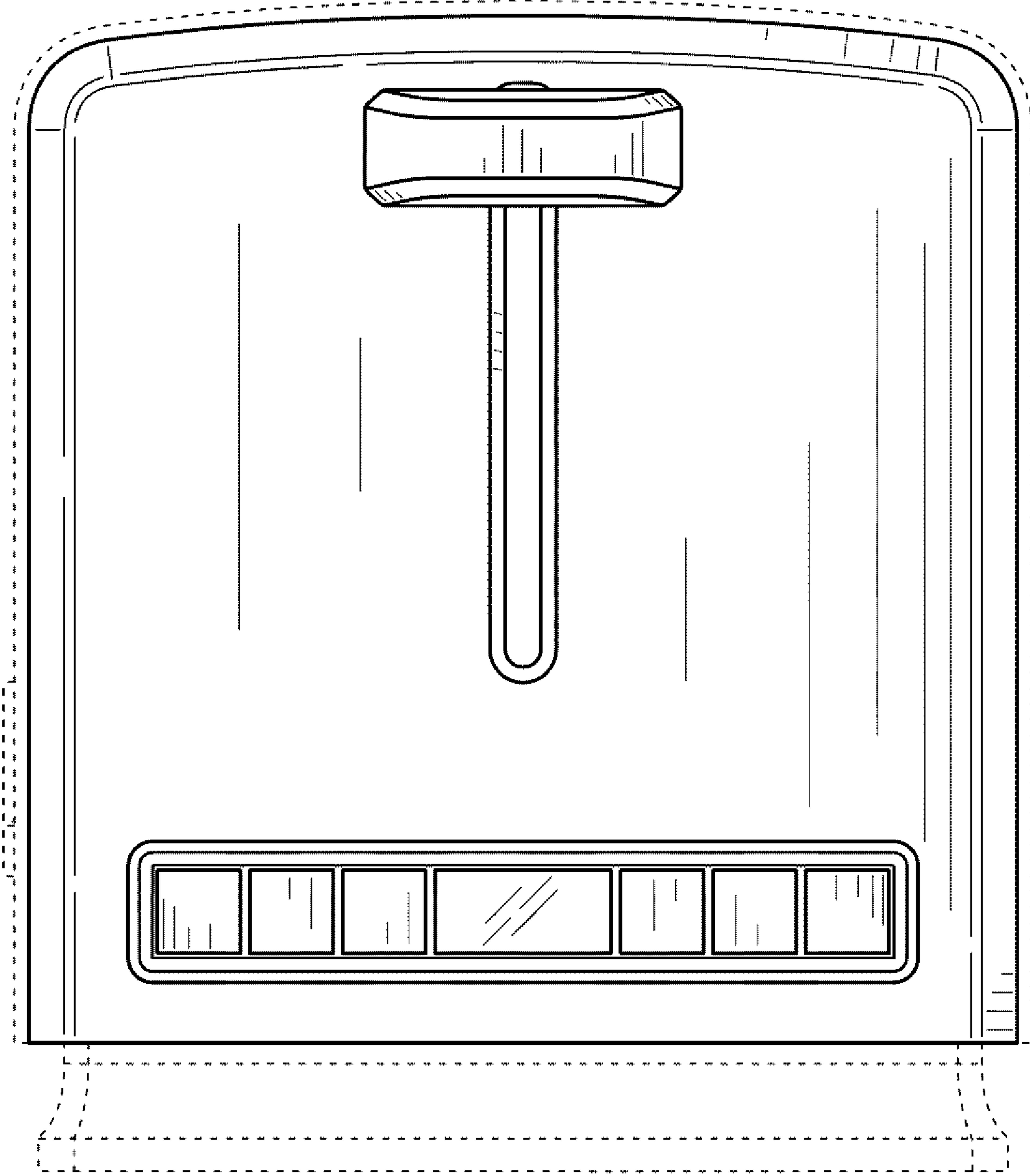


FIG. 2

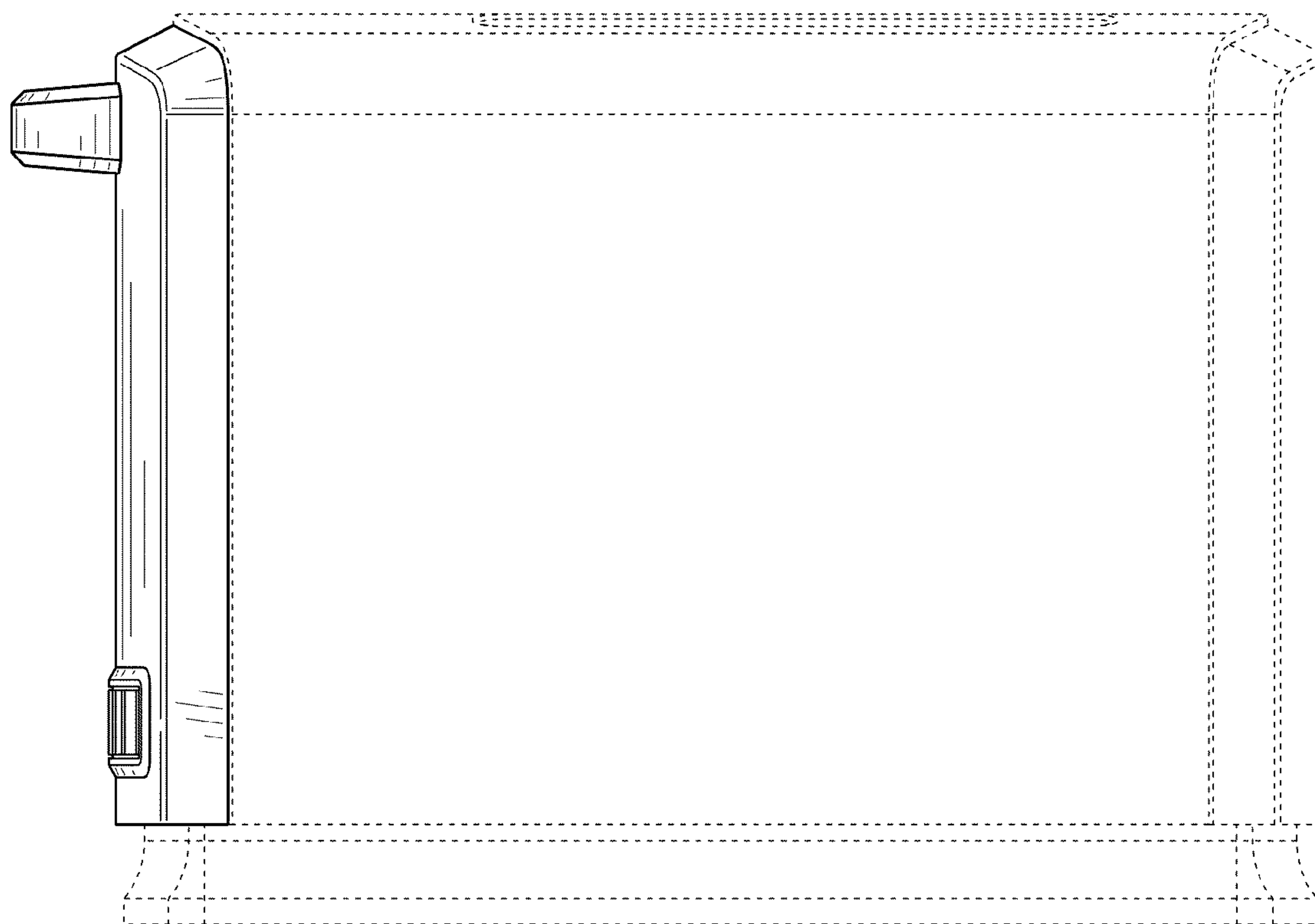


FIG. 3

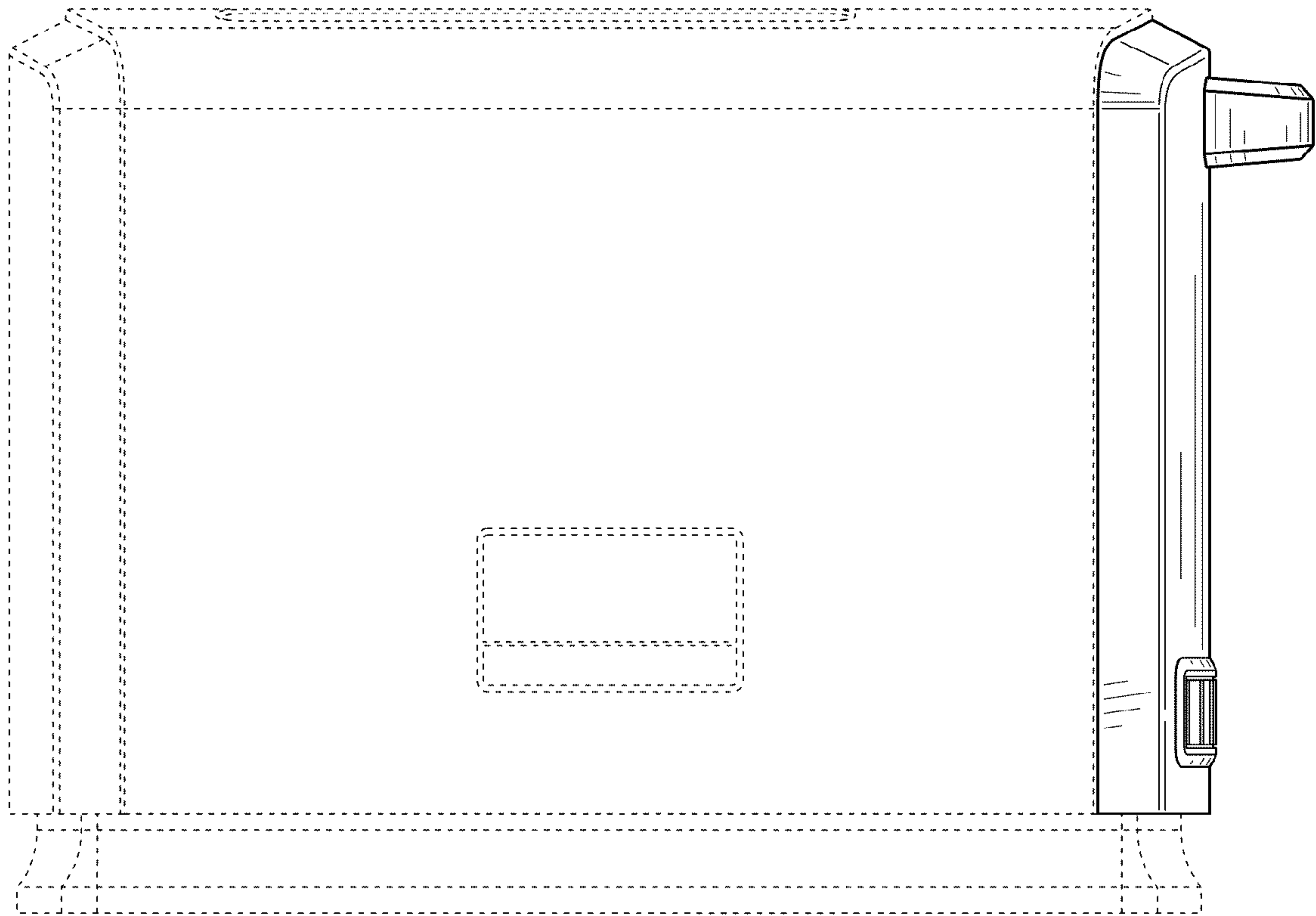


FIG. 4

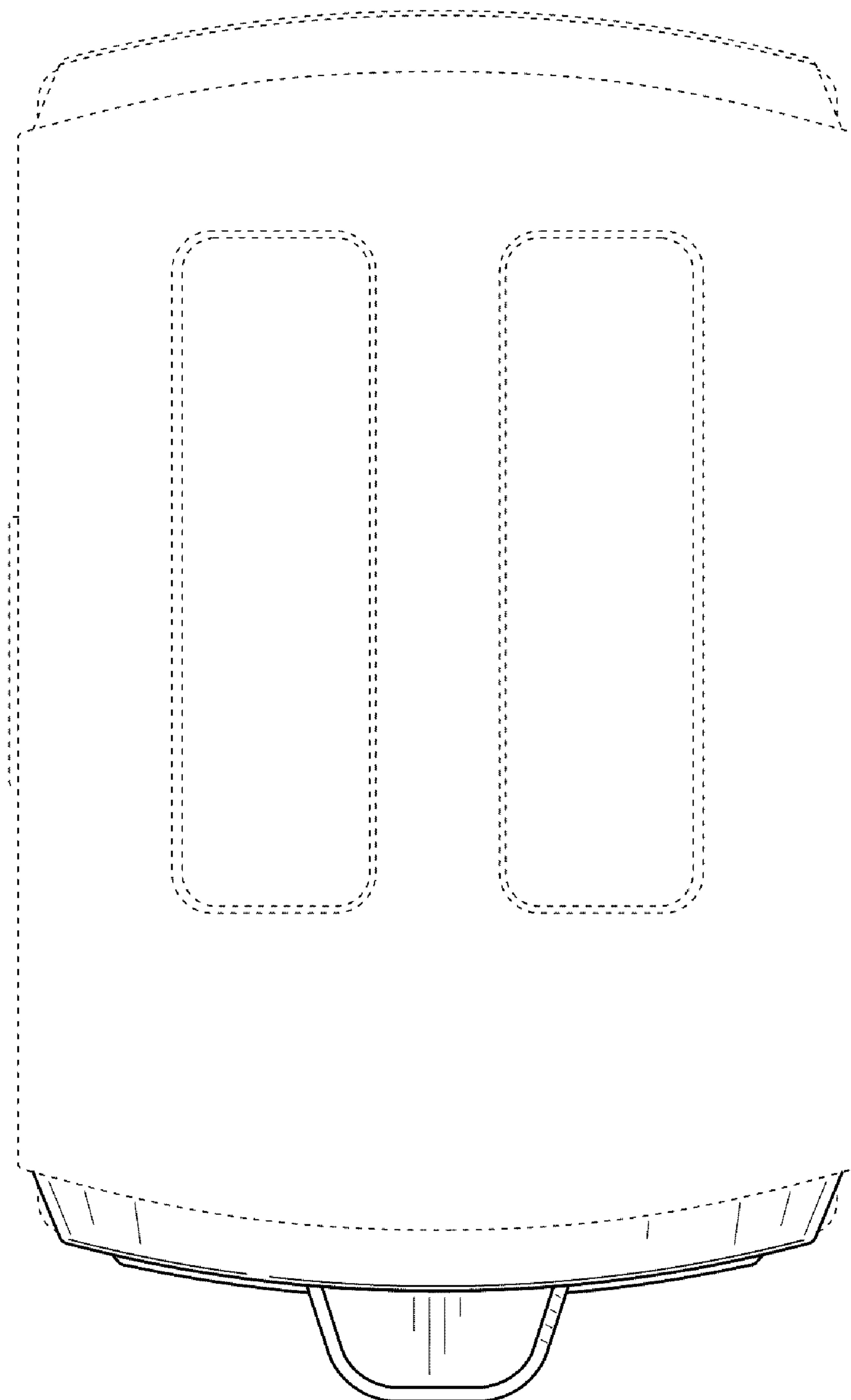


FIG. 5