



US00D648167S

(12) **United States Design Patent**  
**Colon**

(10) **Patent No.:** **US D648,167 S**

(45) **Date of Patent:** **\*\* Nov. 8, 2011**

(54) **CUSHION**

(76) Inventor: **Jose Alberto Colon**, Hialeah Gardens,  
FL (US)

(\*\*) Term: **14 Years**

(21) Appl. No.: **29/329,881**

(22) Filed: **Dec. 23, 2008**

(51) **LOC (9) Cl.** ..... **06-09**

(52) **U.S. Cl.** ..... **D6/601**

(58) **Field of Classification Search** ..... D6/595,  
D6/596, 601, 604, 368, 333, 611; 5/630,  
5/636, 652, 653, 655.9, 656, 417, 419, 420;  
297/219.1, 219.12, 229, 256.17, 225, 228.1,  
297/228.11, 228.13

See application file for complete search history.

(56) **References Cited**

**U.S. PATENT DOCUMENTS**

5,330,250 A \* 7/1994 Reyes ..... 297/229  
D360,308 S \* 7/1995 Smith et al. .... D6/333  
5,641,199 A \* 6/1997 Bond-Madsen ..... 297/229  
D393,172 S \* 4/1998 Brady ..... D6/601

D398,802 S \* 9/1998 Quinn ..... D6/601  
5,988,744 A 11/1999 Franchak  
D417,984 S \* 12/1999 Sand ..... D6/500  
D484,350 S \* 12/2003 Miller ..... D6/601

\* cited by examiner

*Primary Examiner* — Janice Seeger

(74) *Attorney, Agent, or Firm* — Ruben Alcoba

(57) **CLAIM**

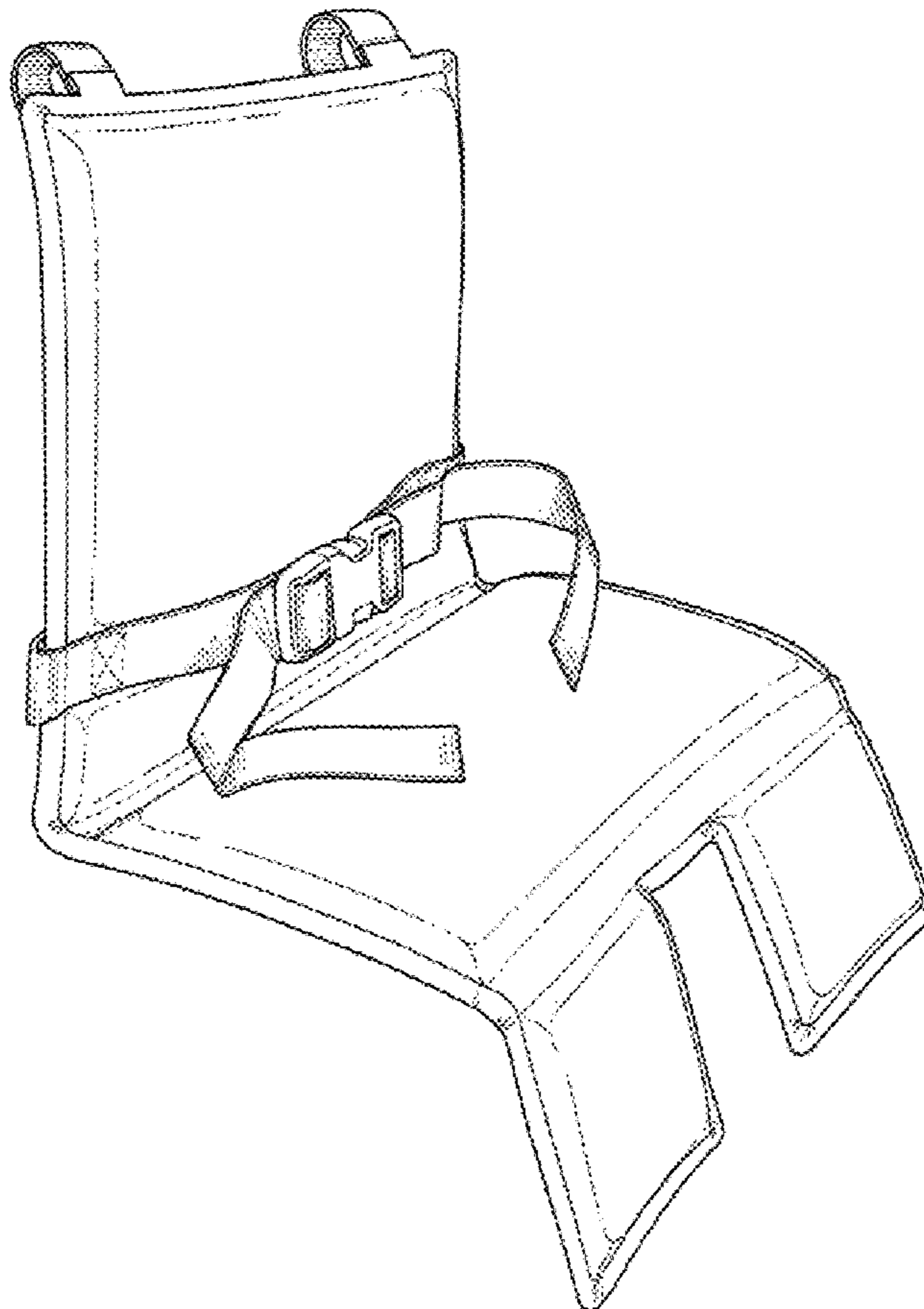
The ornamental design for a cushion, as shown and described.

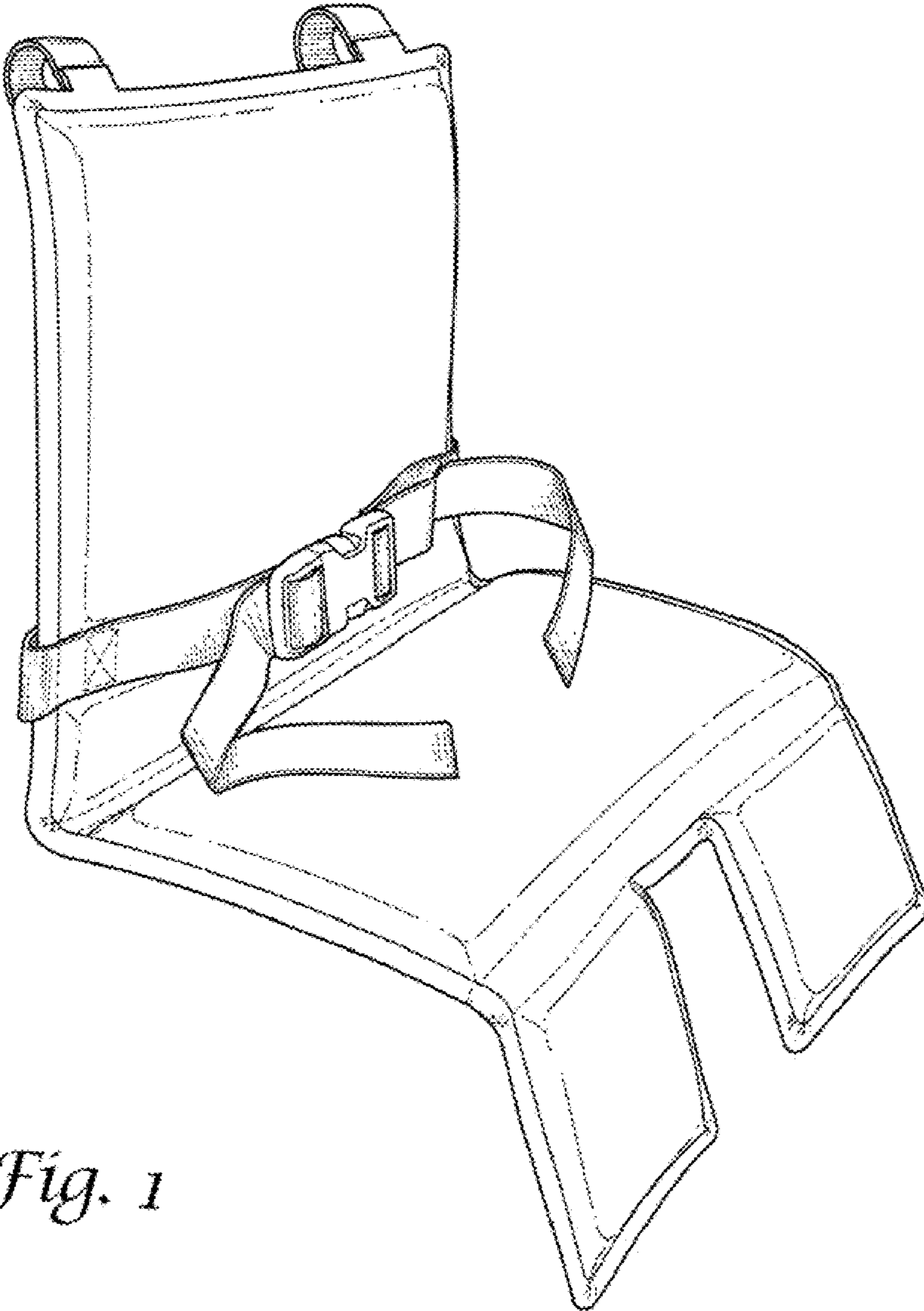
**DESCRIPTION**

FIG. 1 is a perspective of a cushion;  
FIG. 2 is a front view of the cushion;  
FIG. 3 is a rear view of the cushion;  
FIG. 4 is a top plan view of the cushion;  
FIG. 5 is a bottom plan view of the cushion; and  
FIG. 6 is a Fragmentary side elevation view showing the top  
half of the cushion; and,  
FIG. 7 is a fragmentary side elevational view showing the  
bottom half of the cushion.

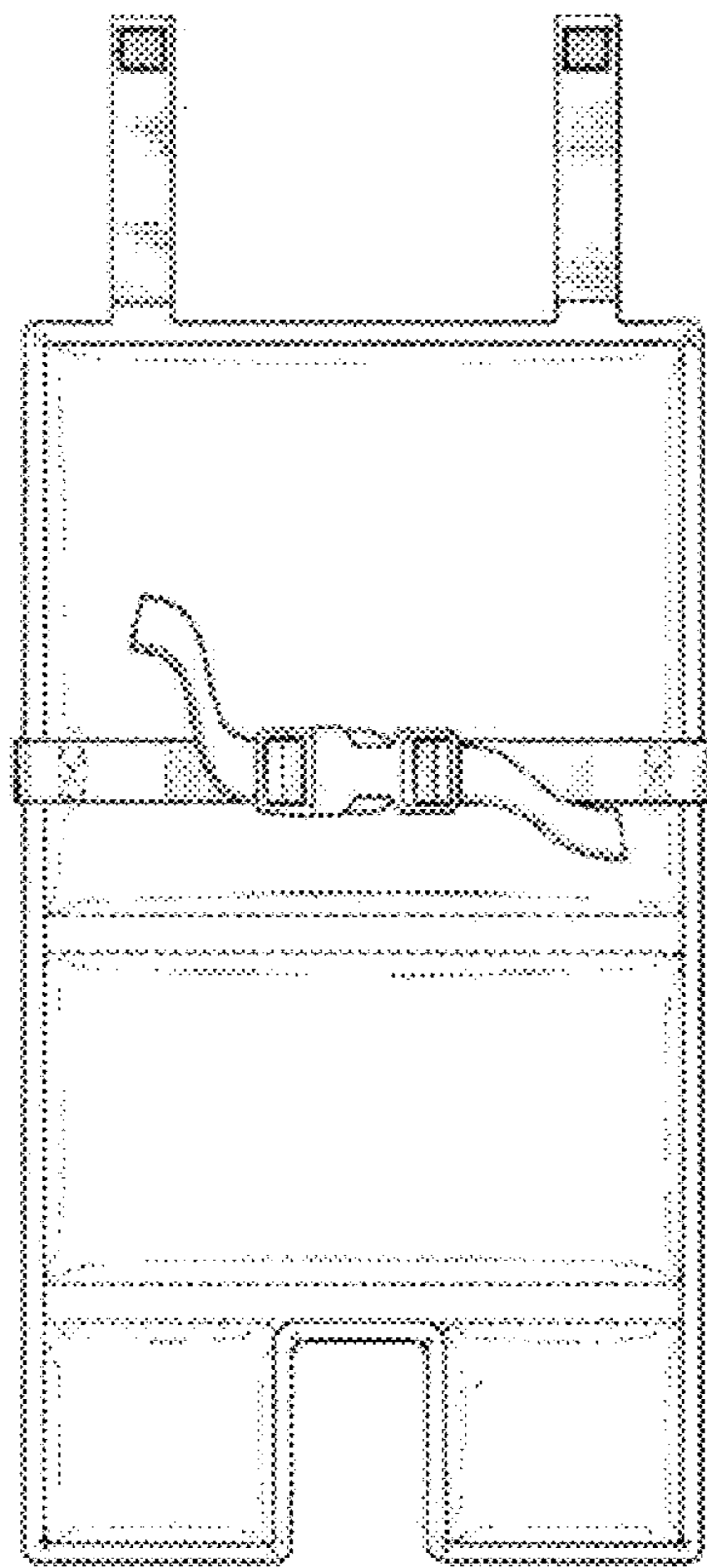
The broken lines represent stitching.

**1 Claim, 4 Drawing Sheets**

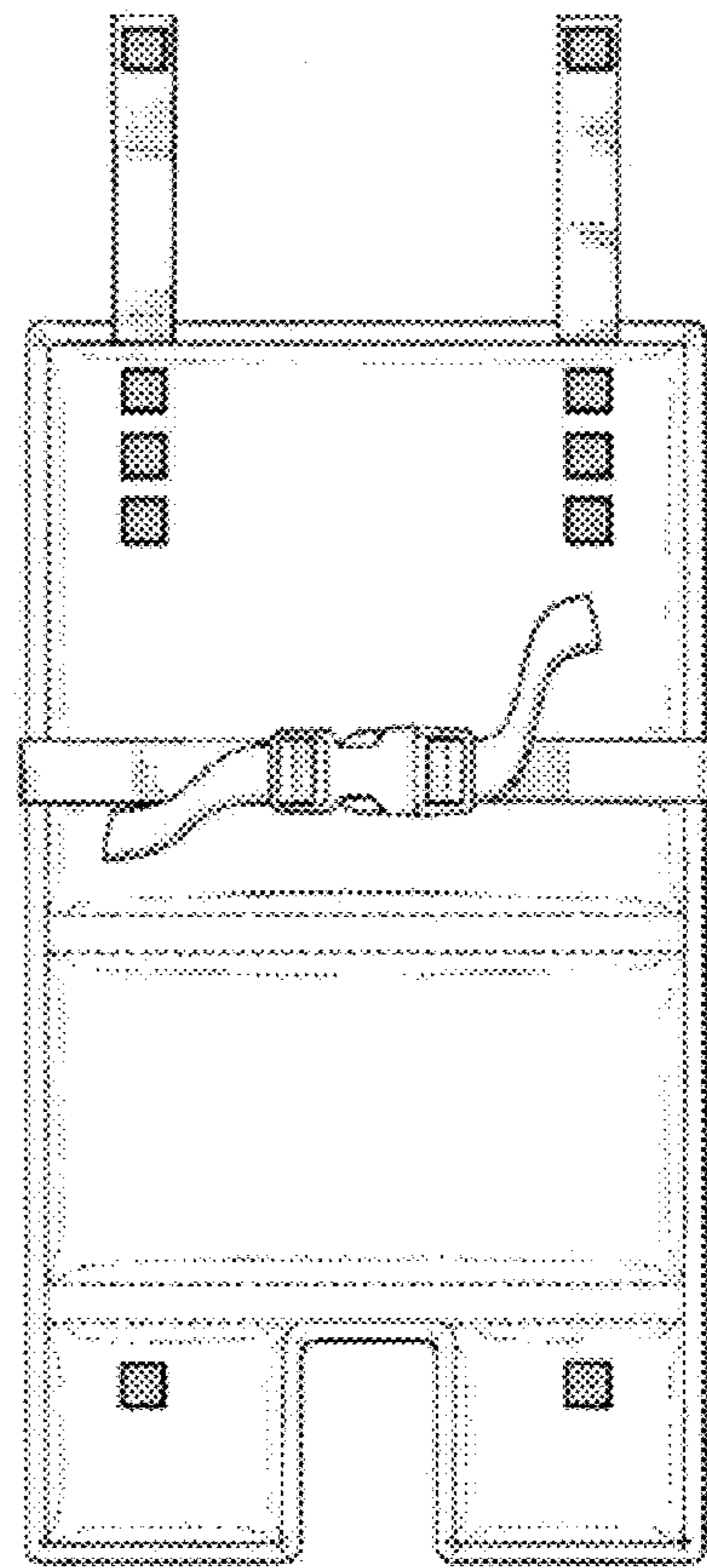




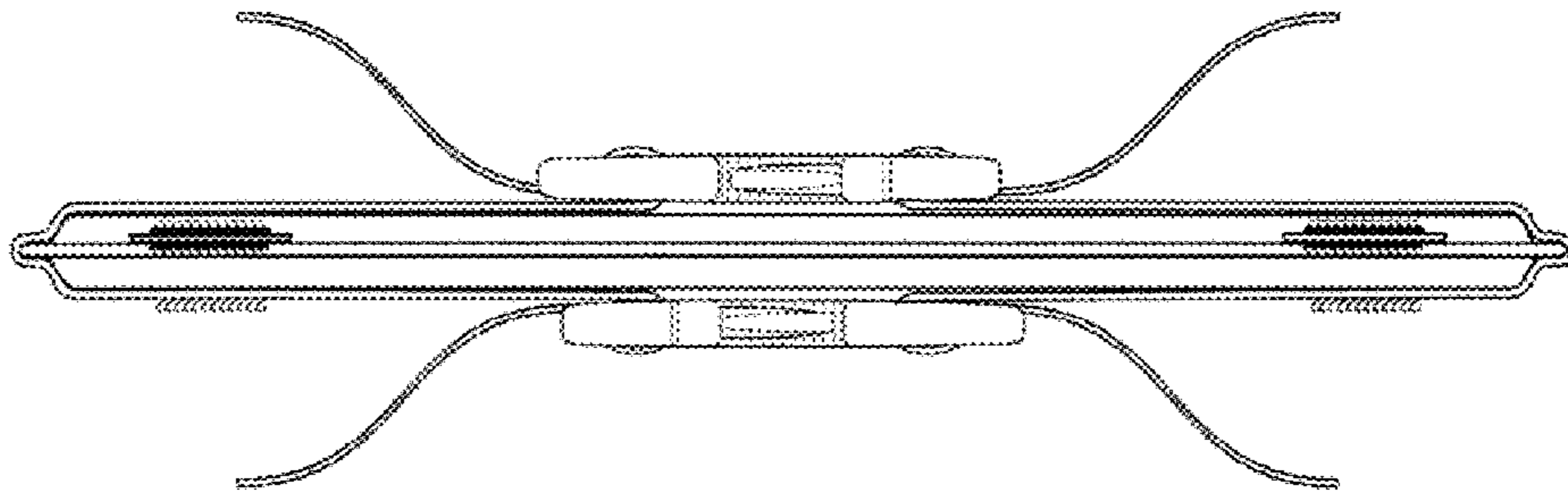
*Fig. 1*



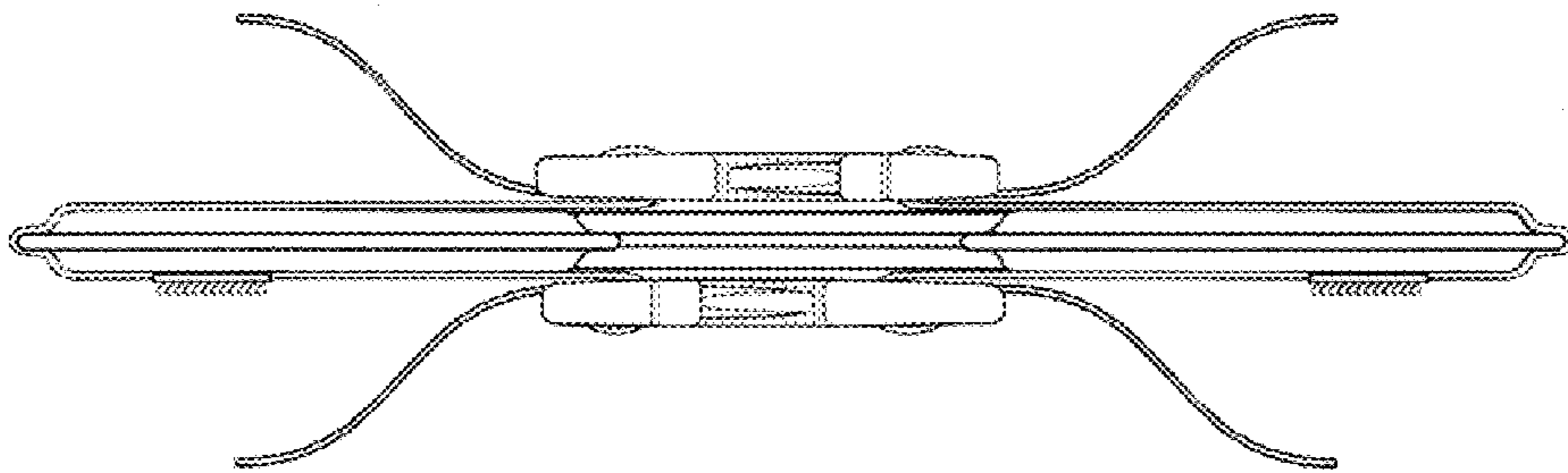
*Fig. 2*



*Fig. 3*

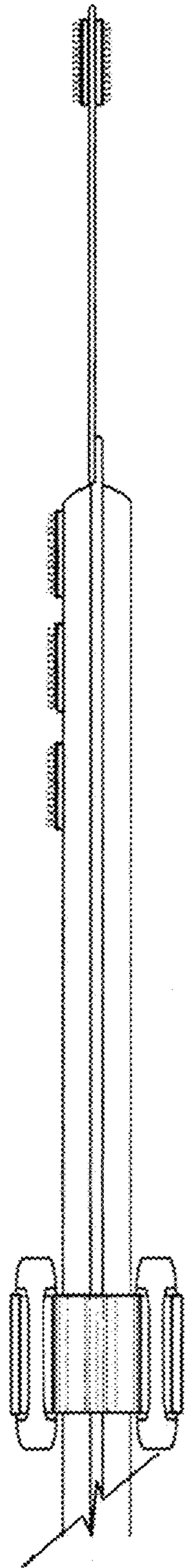


*Fig. 4*



*Fig. 5*

*Fig. 6*



*Fig. 7*

