



US00D648165S

(12) **United States Design Patent**
Michnuk

(10) **Patent No.:** **US D648,165 S**

(45) **Date of Patent:** **** Nov. 8, 2011**

(54) **HOLDER FOR ELECTRIC TOOTHBRUSHES AND THE LIKE**

(76) Inventor: **Paul S. Michnuk**, Downingtown, PA (US)

(**) Term: **14 Years**

(21) Appl. No.: **29/388,696**

(22) Filed: **Mar. 31, 2011**

(51) **LOC (9) Cl.** **23-02**

(52) **U.S. Cl.** **D6/534**

(58) **Field of Classification Search** D6/524, D6/526, 527, 528, 534; 206/208, 228, 209, 206/209.1, 361, 362, 362.1, 362.2, 362.3; 211/13.1, 66, 70.6, 86.01, 87.01; D7/701, D7/635, 637

See application file for complete search history.

(56) **References Cited**

U.S. PATENT DOCUMENTS

3,483,997	A	12/1969	Ritter	
4,284,603	A	8/1981	Korom	
D360,321	S	7/1995	Wang et al.	
5,617,960	A	4/1997	Bishop	
D419,018	S *	1/2000	Jeynes	D6/534
D454,013	S	3/2002	Wang	
6,508,369	B2	1/2003	Wang	
6,533,133	B2	3/2003	Liu	
D478,756	S *	8/2003	Hood	D6/534

D604,975	S *	12/2009	Racanelli	D6/534
D608,577	S *	1/2010	Racanelli	D6/534
D634,141	S *	3/2011	Volk	D6/534
D639,095	S *	6/2011	Kraemer	D6/534

* cited by examiner

Primary Examiner — Brian N Vinson

(74) *Attorney, Agent, or Firm* — Volpe and Koenig, P.C.

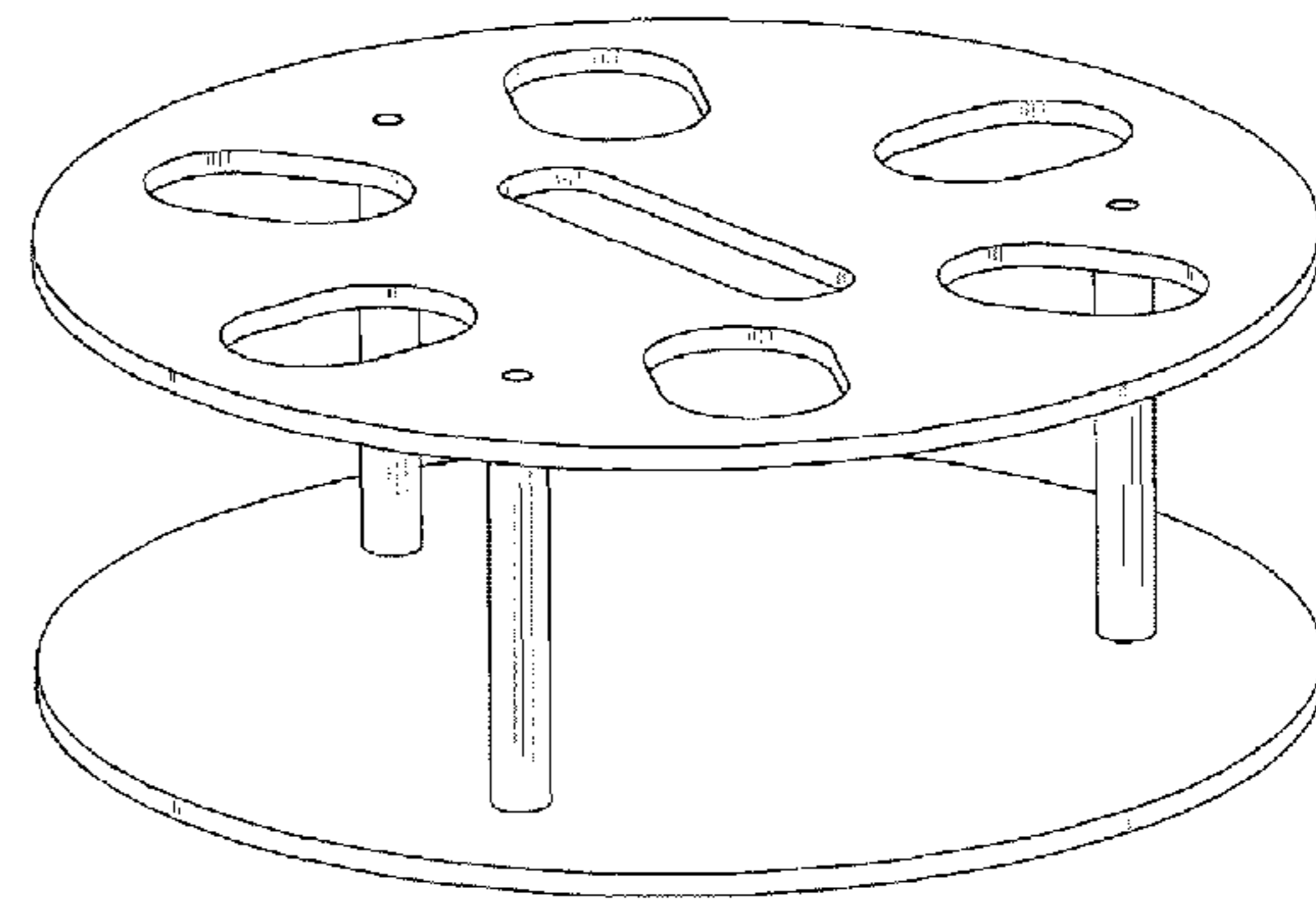
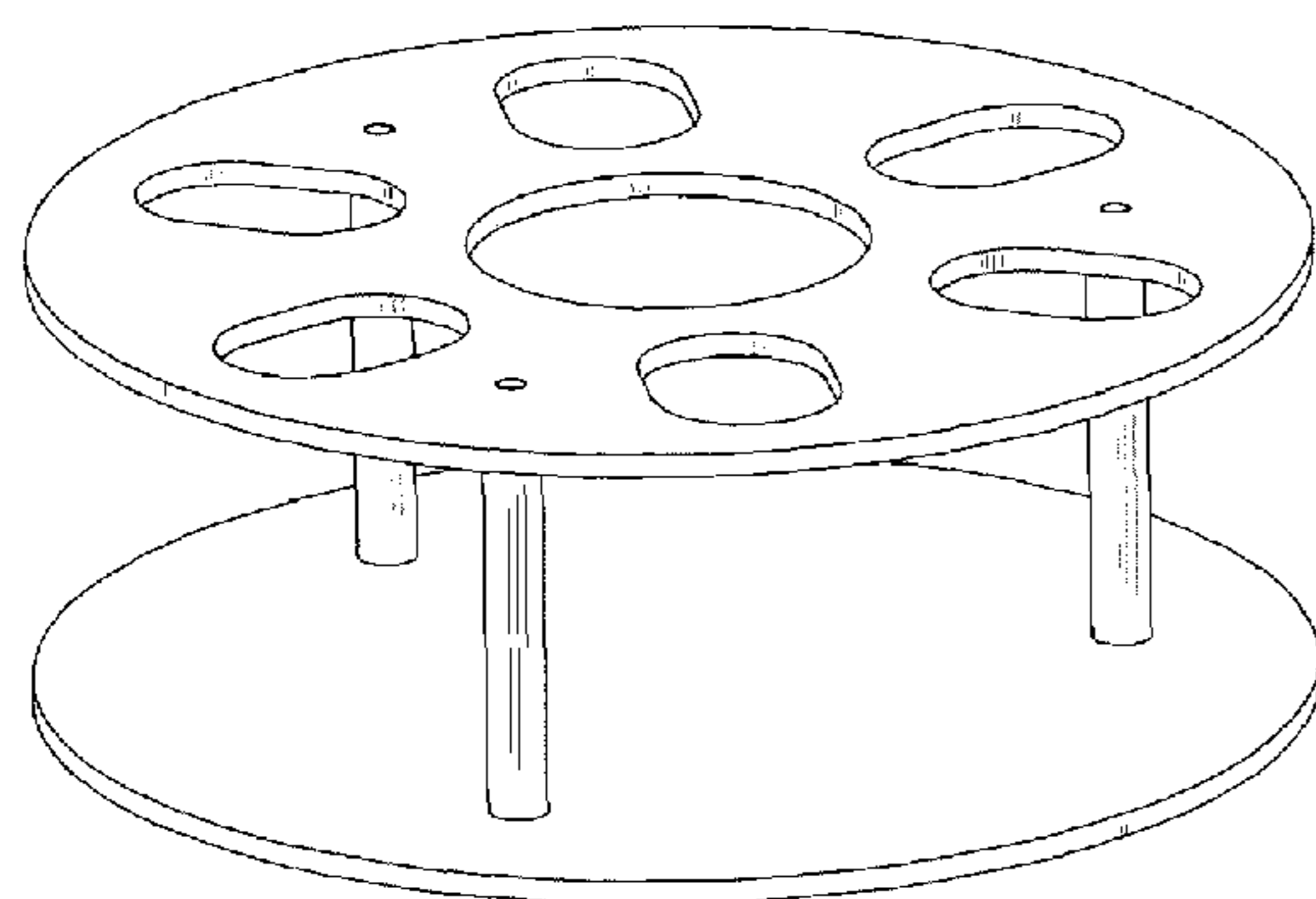
(57) **CLAIM**

The ornamental design for holder for electric toothbrushes and the like, as shown and described.

DESCRIPTION

FIG. 1 is a perspective view of the holder;
 FIG. 2 is a top plan view of the holder of FIG. 1;
 FIG. 3 is a bottom plan view of the holder of FIG. 1;
 FIG. 4 is a front elevation of the holder of FIG. 1 with the rear elevation being the mirror image;
 FIG. 5 is a right side elevation of the holder of FIG. 1 with the left side being the mirror image;
 FIG. 6 is a perspective view of an alternative embodiment of the holder;
 FIG. 7 is a top plan view of the holder of FIG. 6;
 FIG. 8 is a bottom plan view of the holder of FIG. 6;
 FIG. 9 is a front elevation of the holder of FIG. 6 with the back view being the mirror image; and,
 FIG. 10 is a right side elevation of the holder of FIG. 6 with the left side being the mirror image.

1 Claim, 2 Drawing Sheets



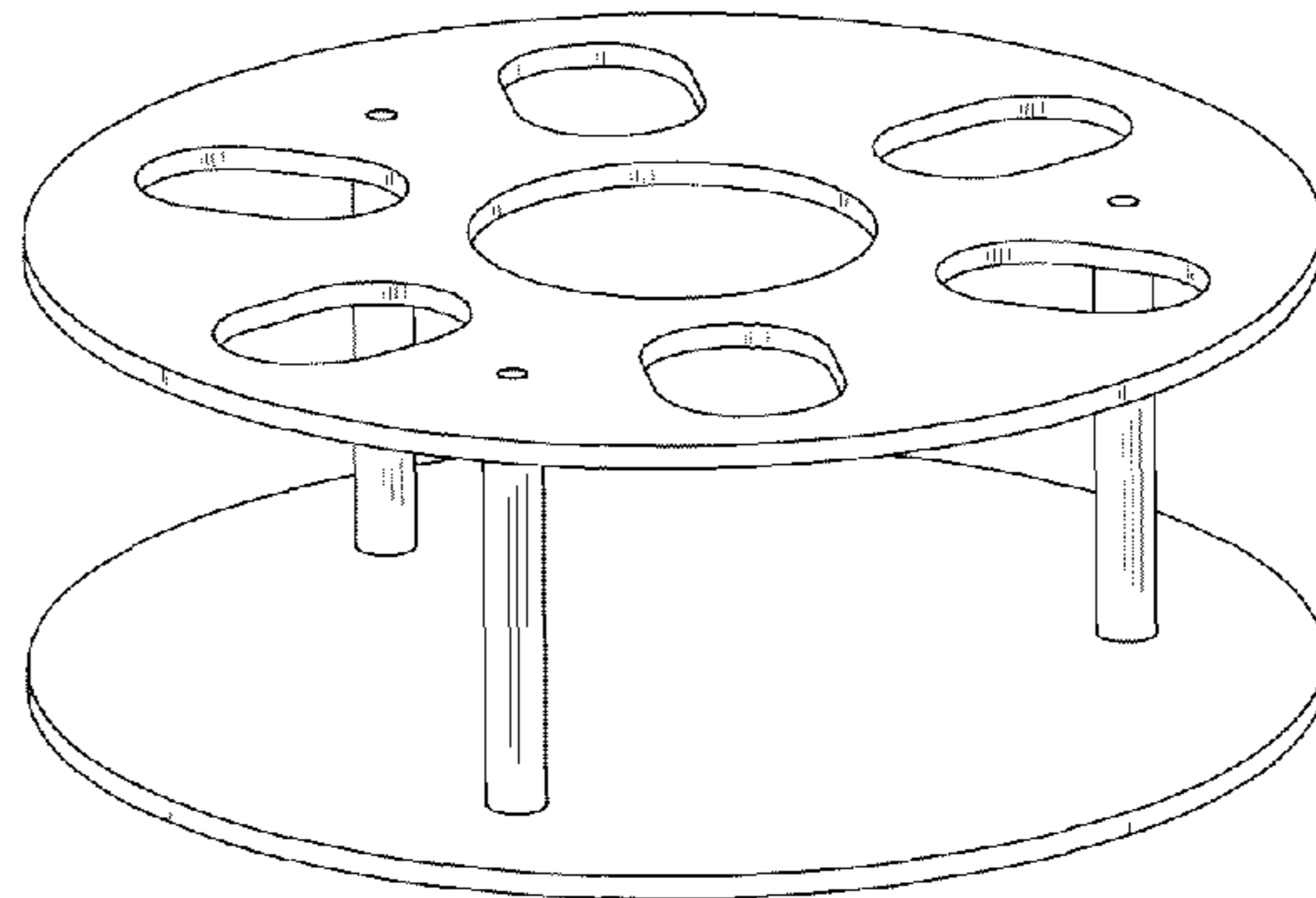


FIG. 1

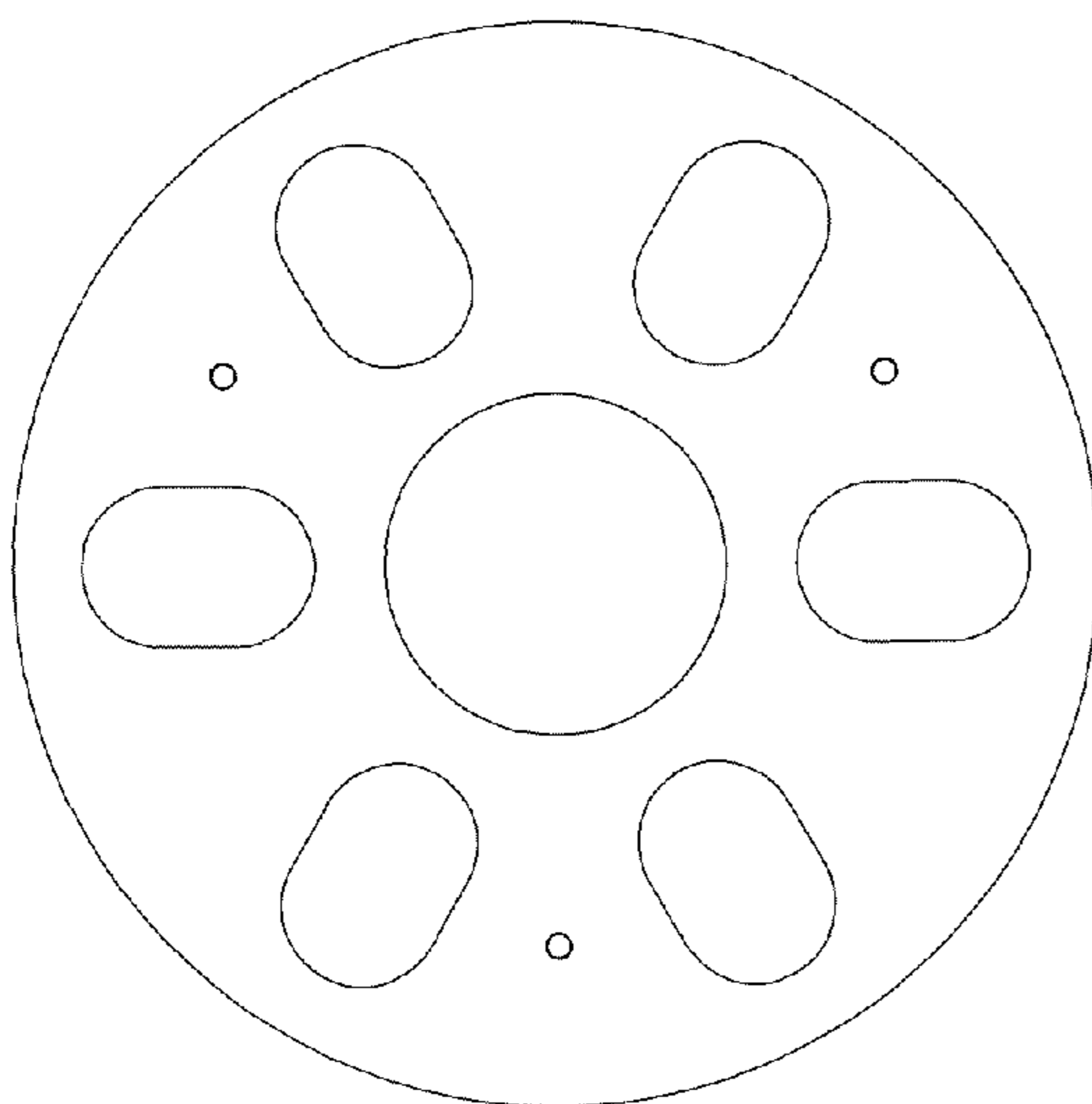


FIG. 2

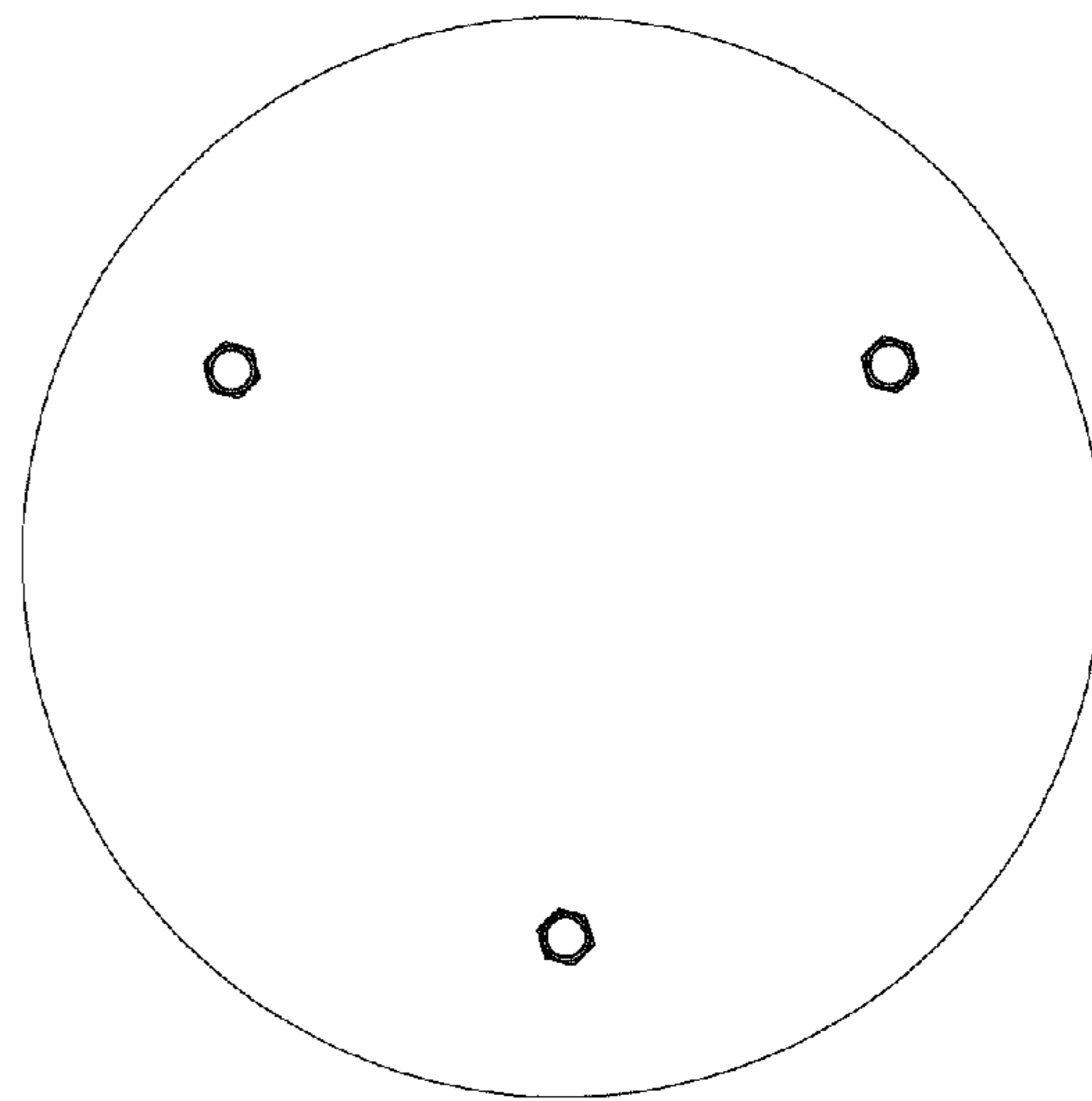


FIG. 3

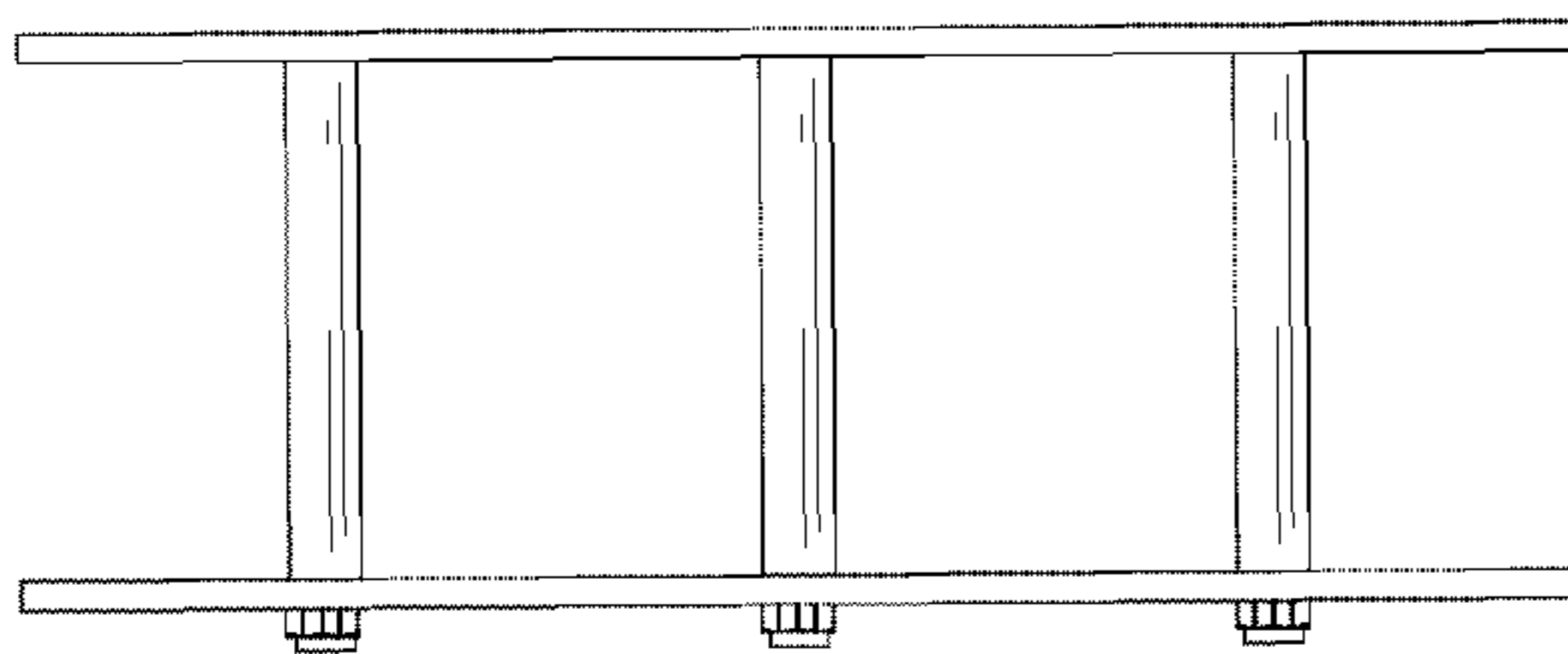


FIG. 4

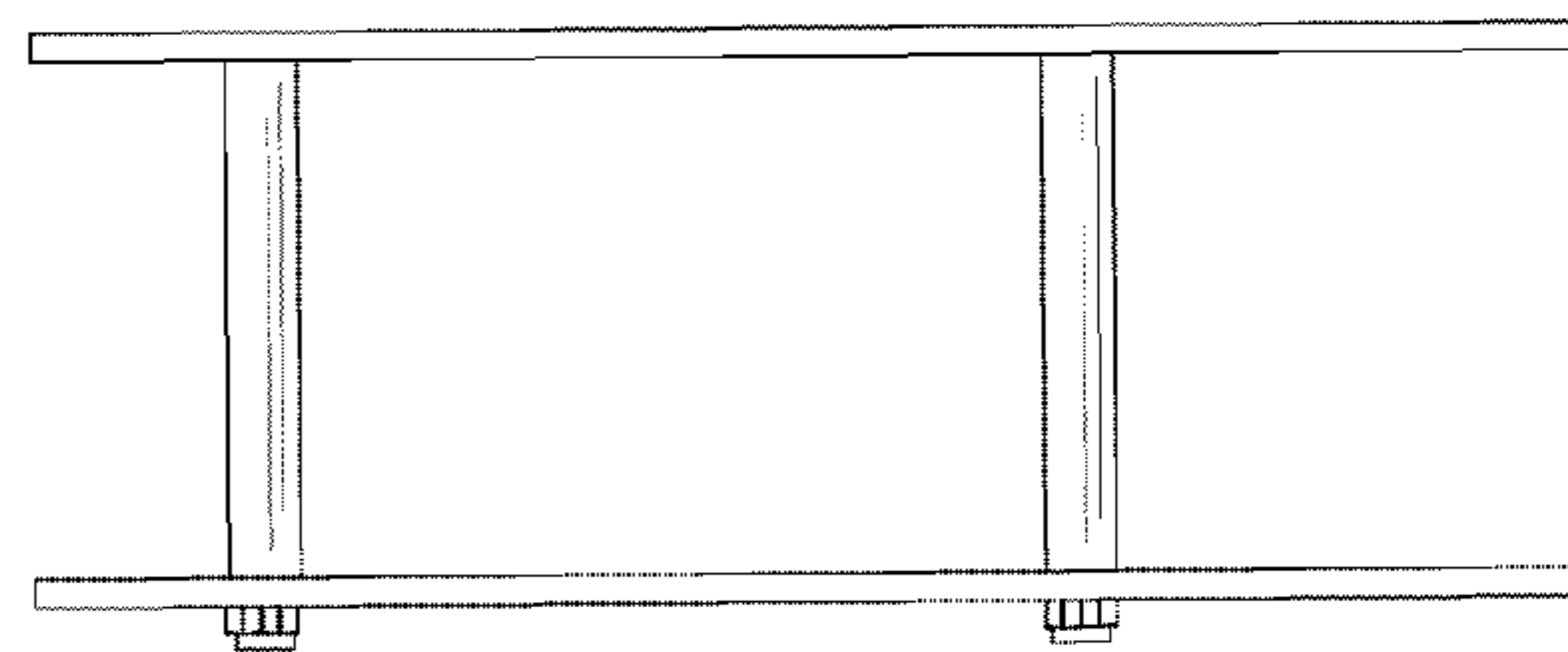


FIG. 5

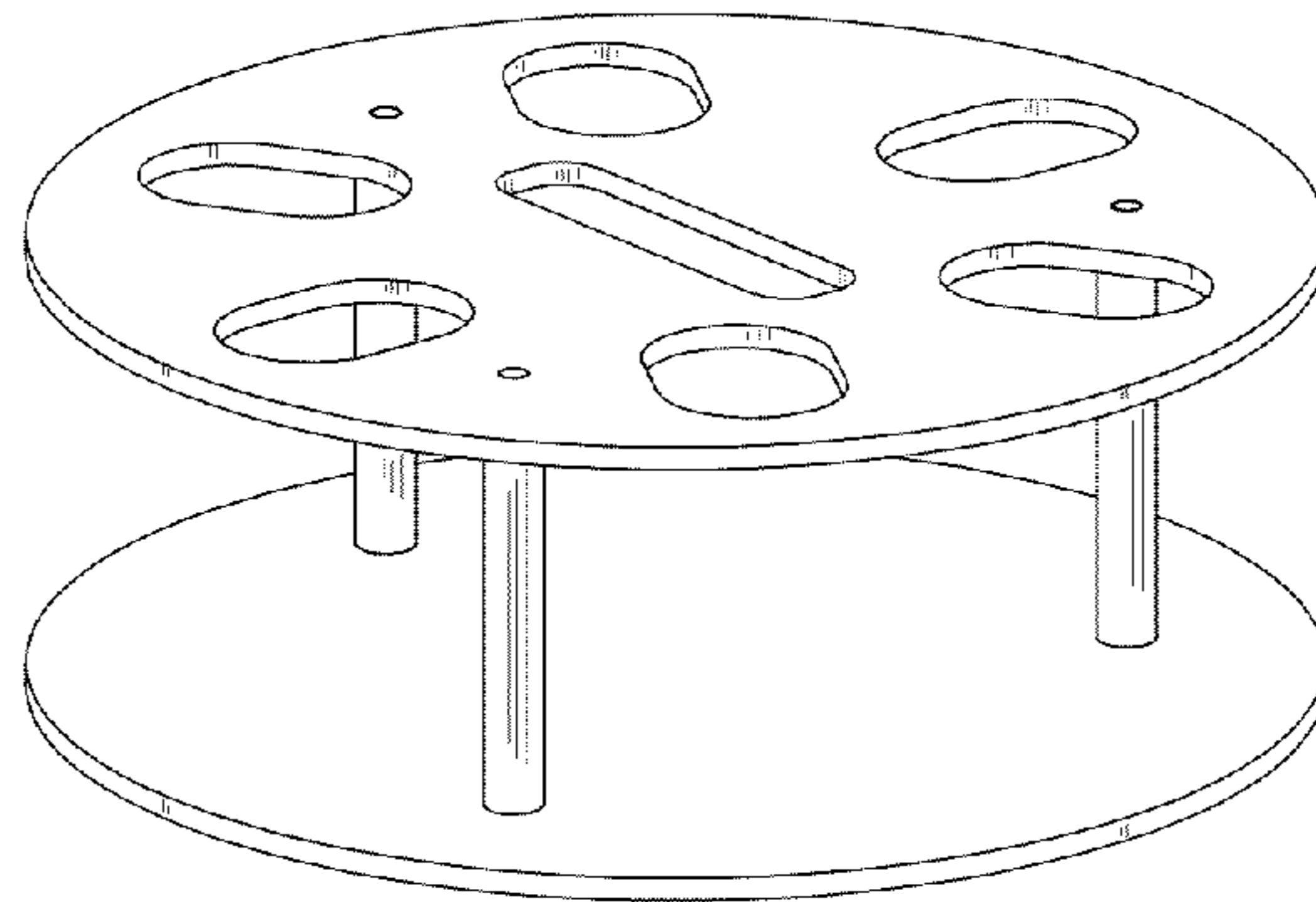


FIG. 6

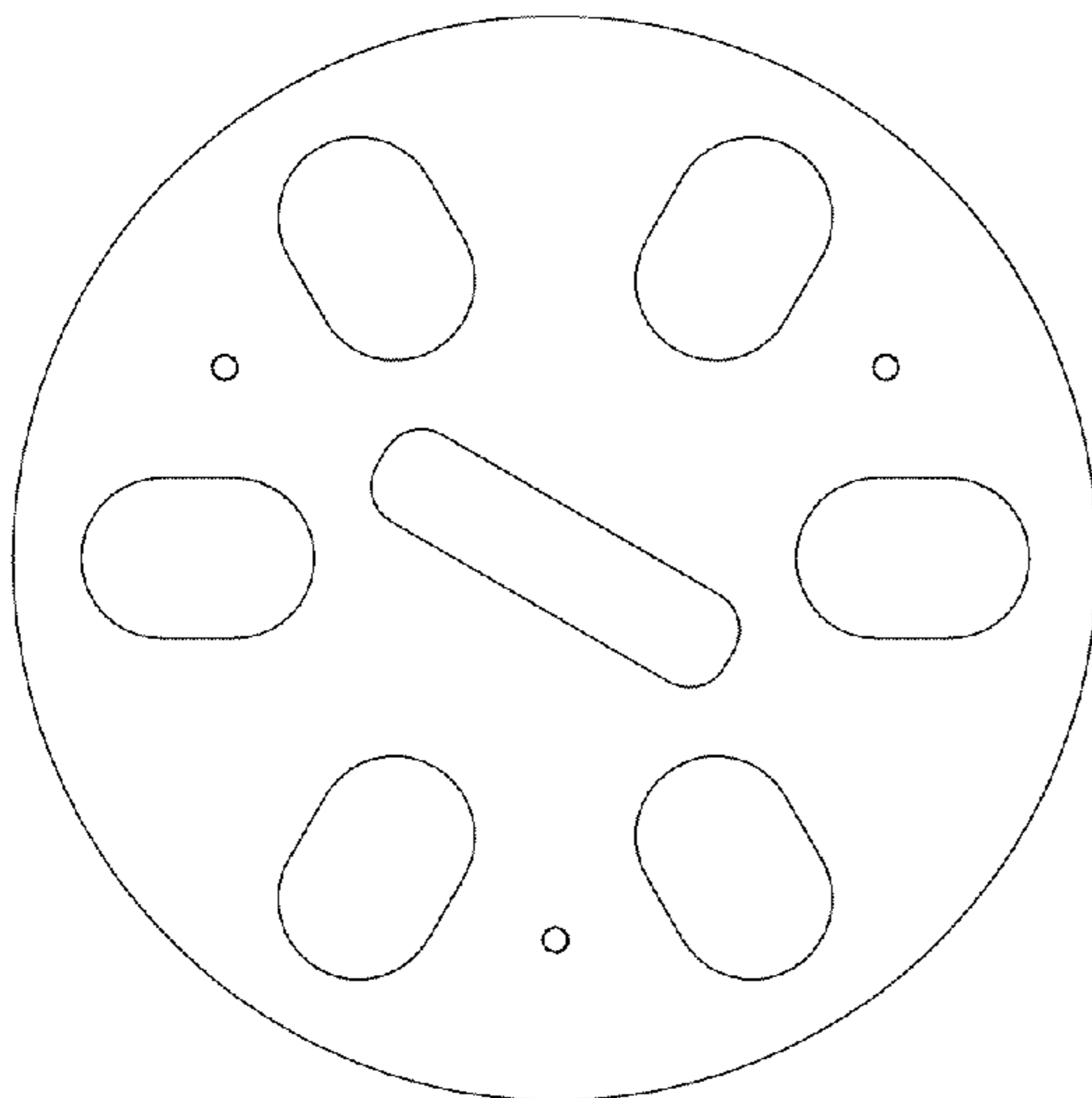


FIG. 7

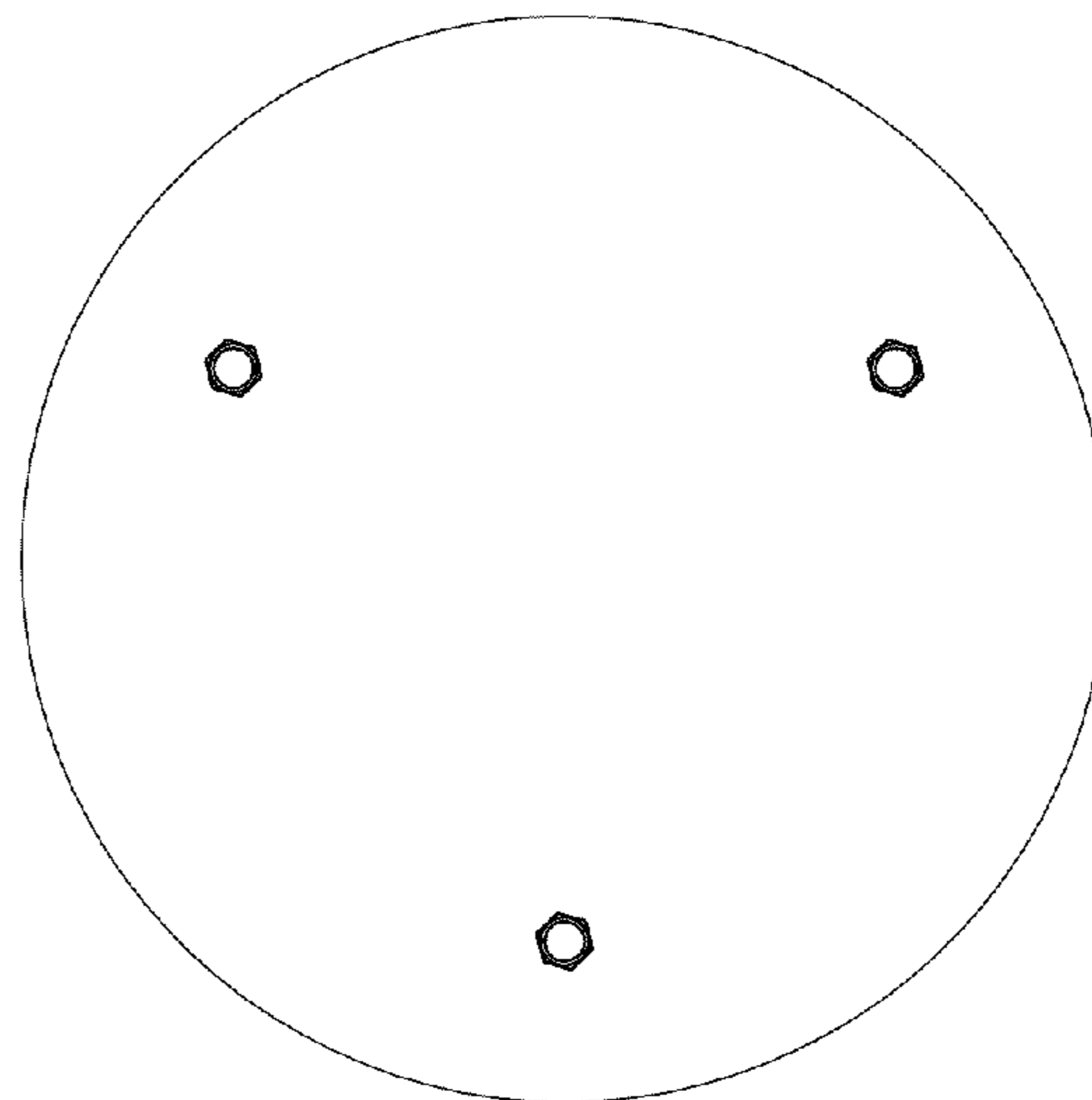


FIG. 8

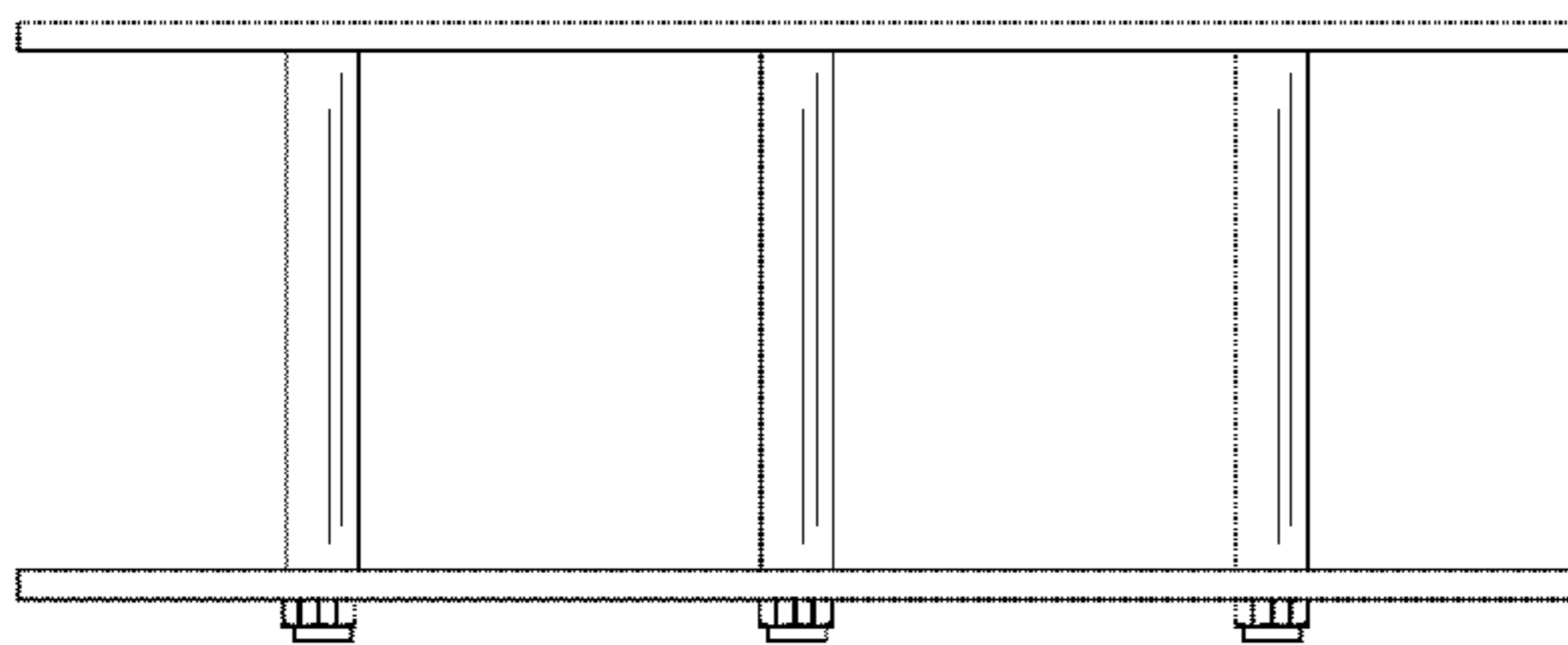


FIG. 9

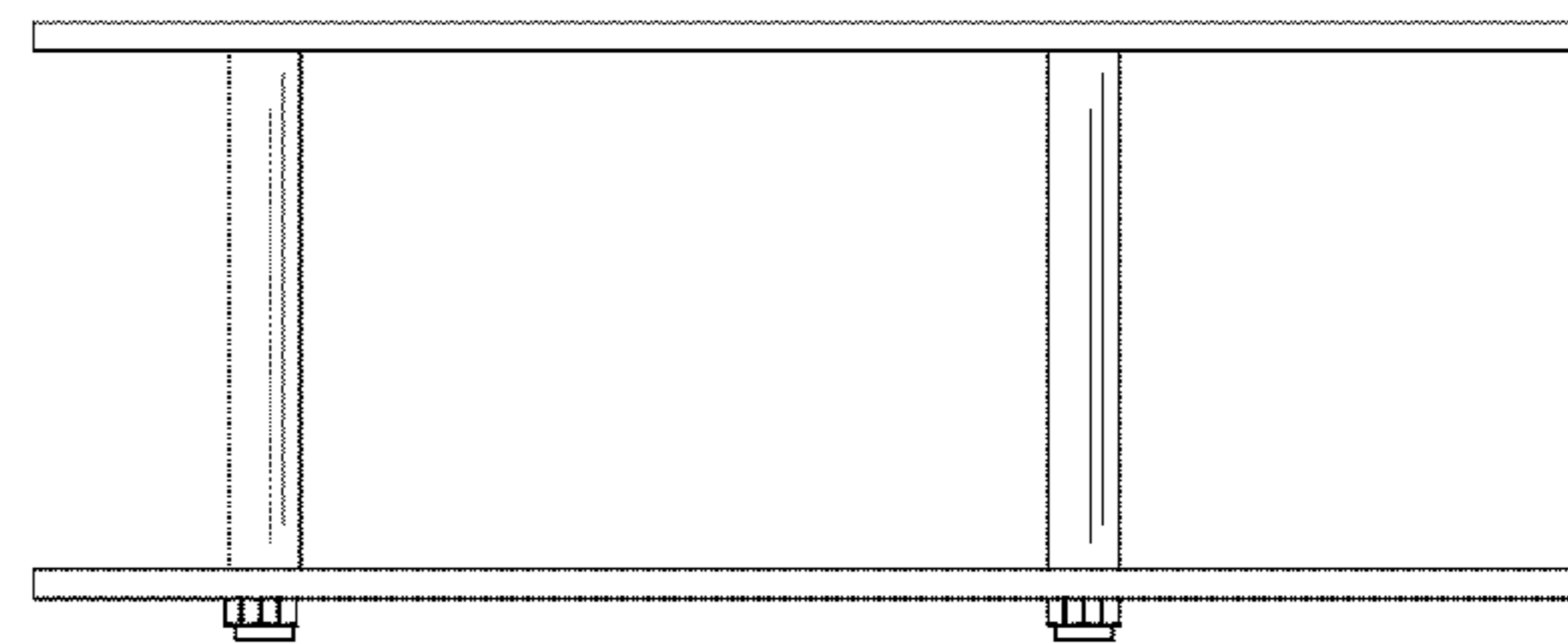


FIG. 10