

US00D648160S

(12) **United States Design Patent**
Le

(10) **Patent No.:** **US D648,160 S**

(45) **Date of Patent:** **** Nov. 8, 2011**

(54) **SHELVING CORNER CONNECTOR**

(75) Inventor: **Johannes Le**, Huntington Beach, CA (US)

(73) Assignee: **Cambro Manufacturing Company**, Huntington Beach, CA (US)

(**) Term: **14 Years**

(21) Appl. No.: **29/357,780**

(22) Filed: **Mar. 17, 2010**

(51) **LOC (9) Cl.** **06-04**

(52) **U.S. Cl.** **D6/511**

(58) **Field of Classification Search** D6/511,
D6/491; D25/123; 248/475.1, 262, 220.31,
248/220.43; 403/398; D8/381, 377, 380;
211/187

See application file for complete search history.

(56) **References Cited**

U.S. PATENT DOCUMENTS

4,735,325	A *	4/1988	Remmers	211/187
4,840,342	A *	6/1989	Sweeny et al.	248/475.1
D306,670	S *	3/1990	Pfleuger et al.	D6/511
D340,639	S *	10/1993	Remmers	D8/381
D344,423	S *	2/1994	Pate	D6/511
D353,295	S *	12/1994	Bodine	D25/123

D419,859	S *	2/2000	Marsh	D8/381
D569,715	S *	5/2008	Fernandez	D8/377
7,478,971	B2 *	1/2009	Li	403/398

* cited by examiner

Primary Examiner — Philip S Hyder
Assistant Examiner — Sydney Buffalow

(57) **CLAIM**

I claim the ornamental design for a shelving corner connector, as shown and described.

DESCRIPTION

FIG. 1 is a perspective front, left side, top view of the shelving corner connector.

FIG. 2 is a front elevation view thereof.

FIG. 3 is a left side elevation view thereof.

FIG. 4 is a top plan view thereof.

FIG. 5 is a right side elevation view thereof.

FIG. 6 is a back elevation view thereof.

FIG. 7 is a bottom plan view thereof.

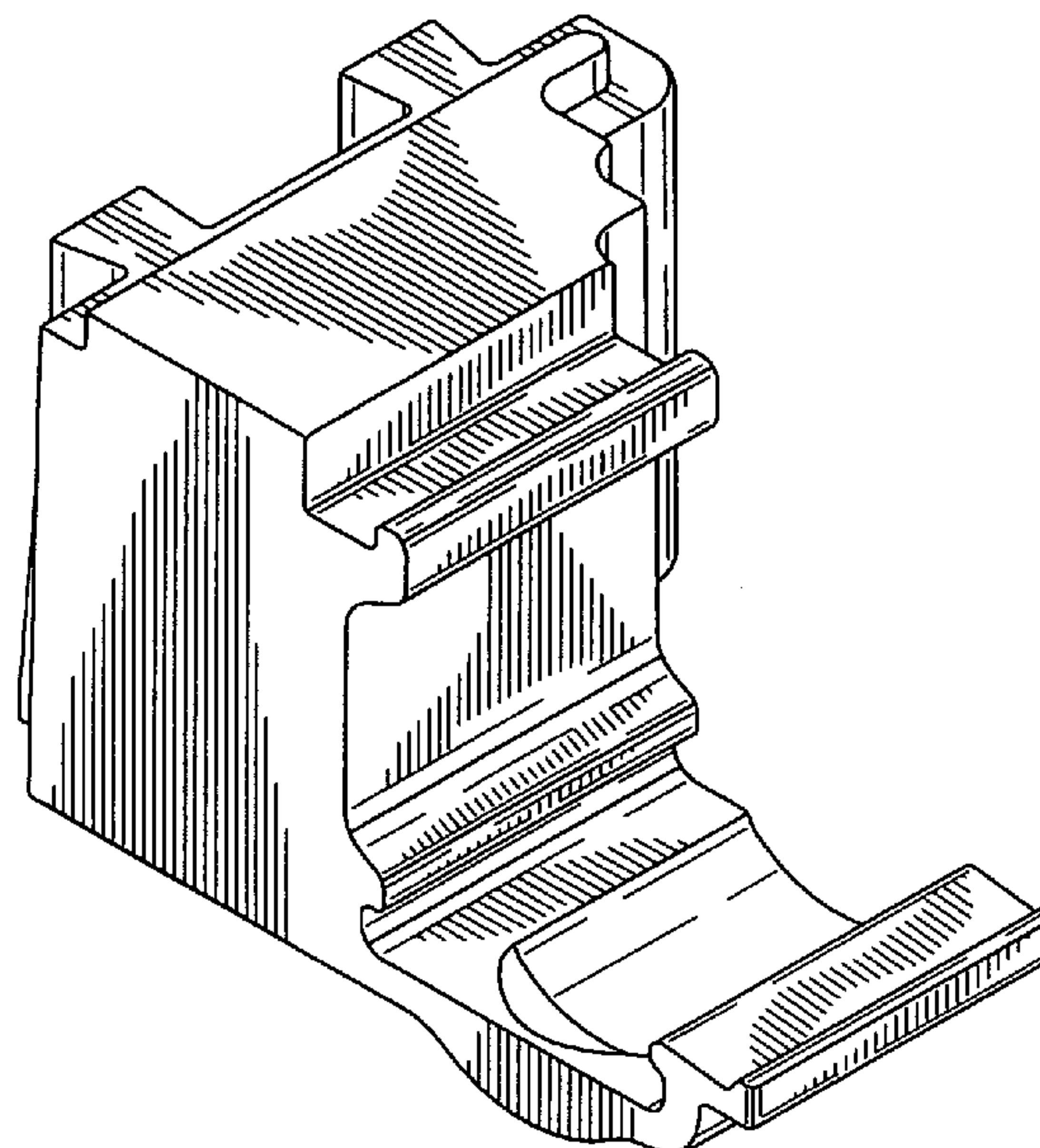
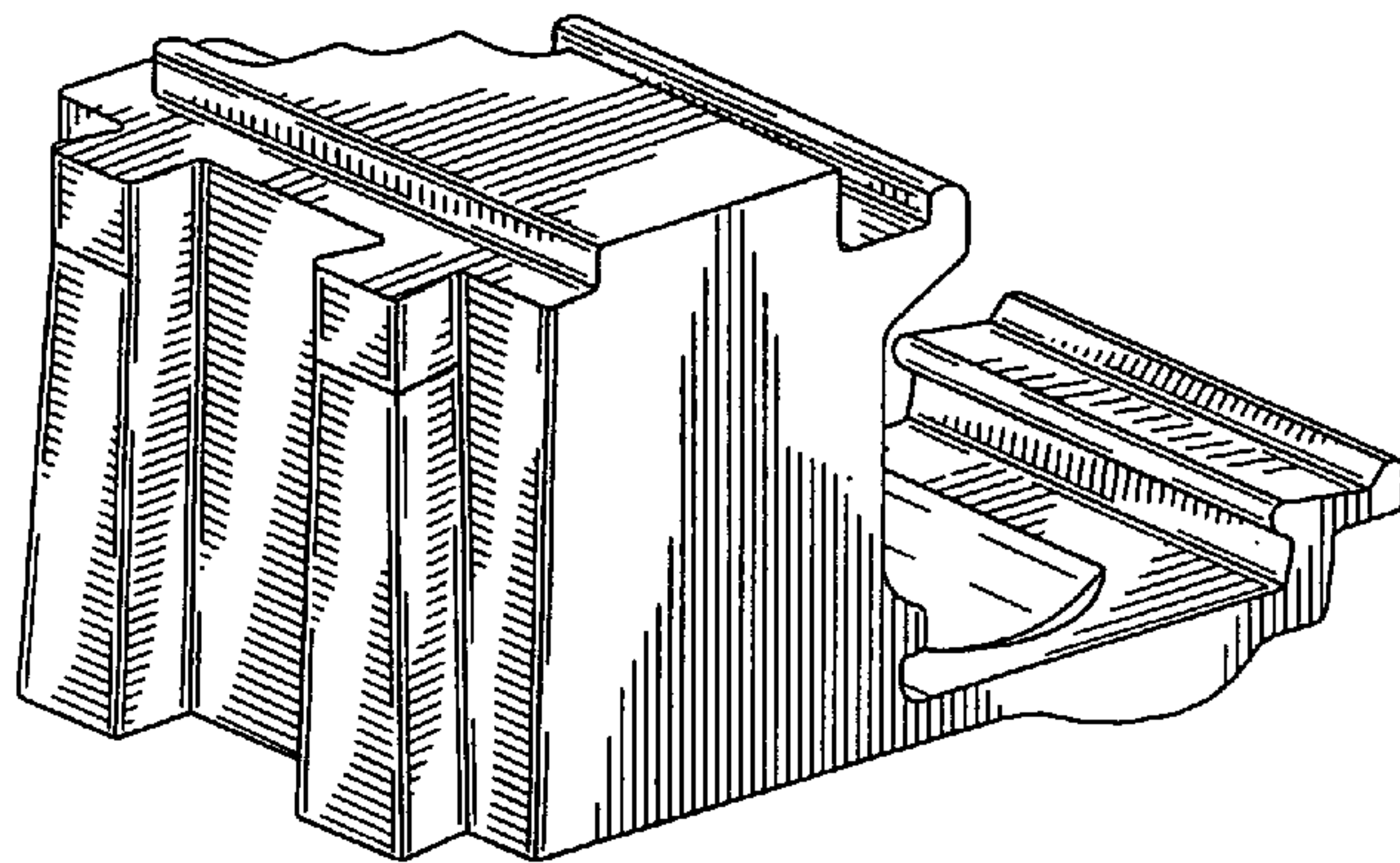
FIG. 8 is a perspective top, front, right side view of thereof.

FIG. 9 is a perspective view of thereof; and,

FIG. 10 is an enlarged perspective view of the shelving corner connector.

The broken lines shown in FIG. 9 are directed to environment, are for informational purposes only and form no part of the claimed design.

1 Claim, 3 Drawing Sheets



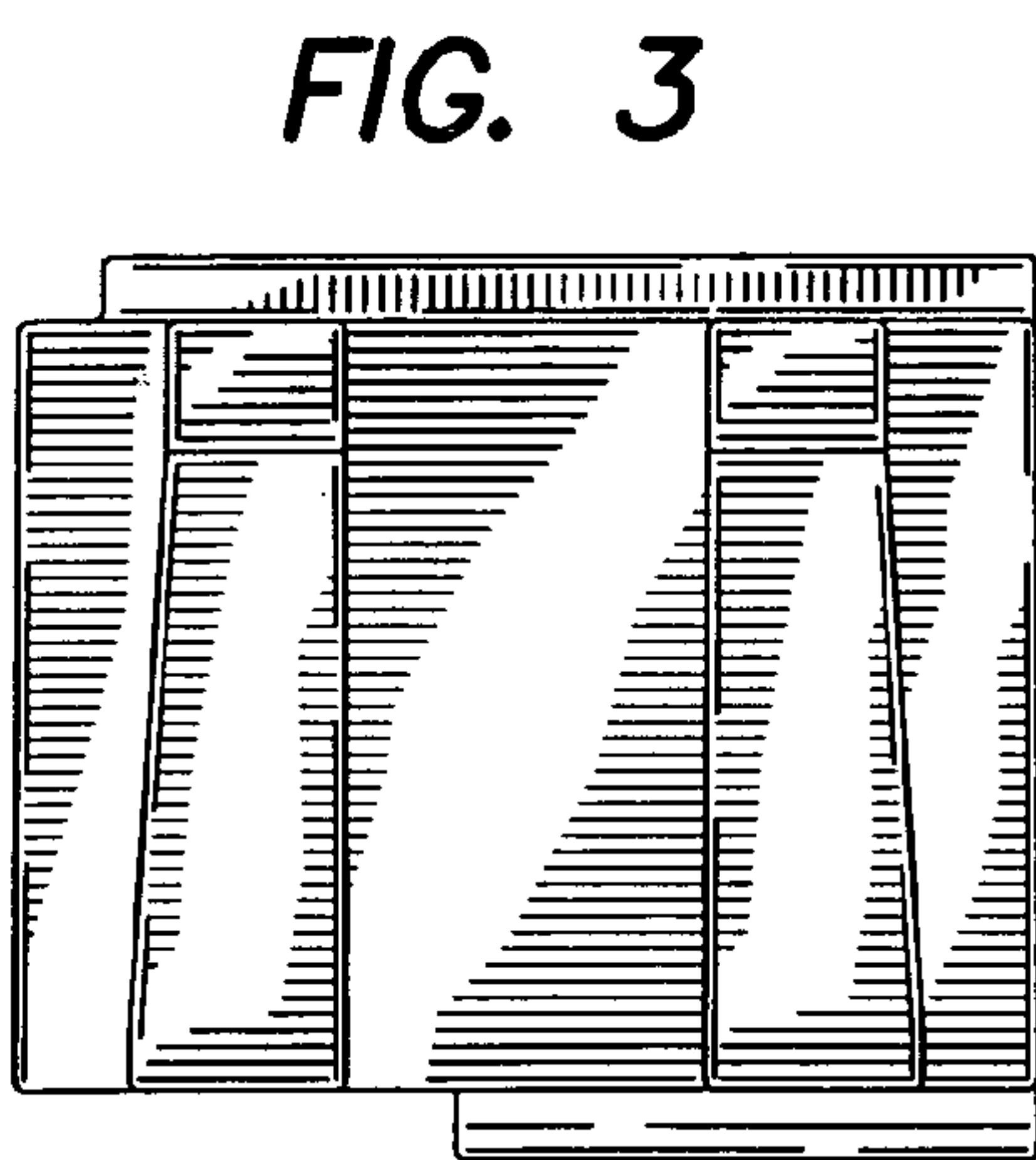
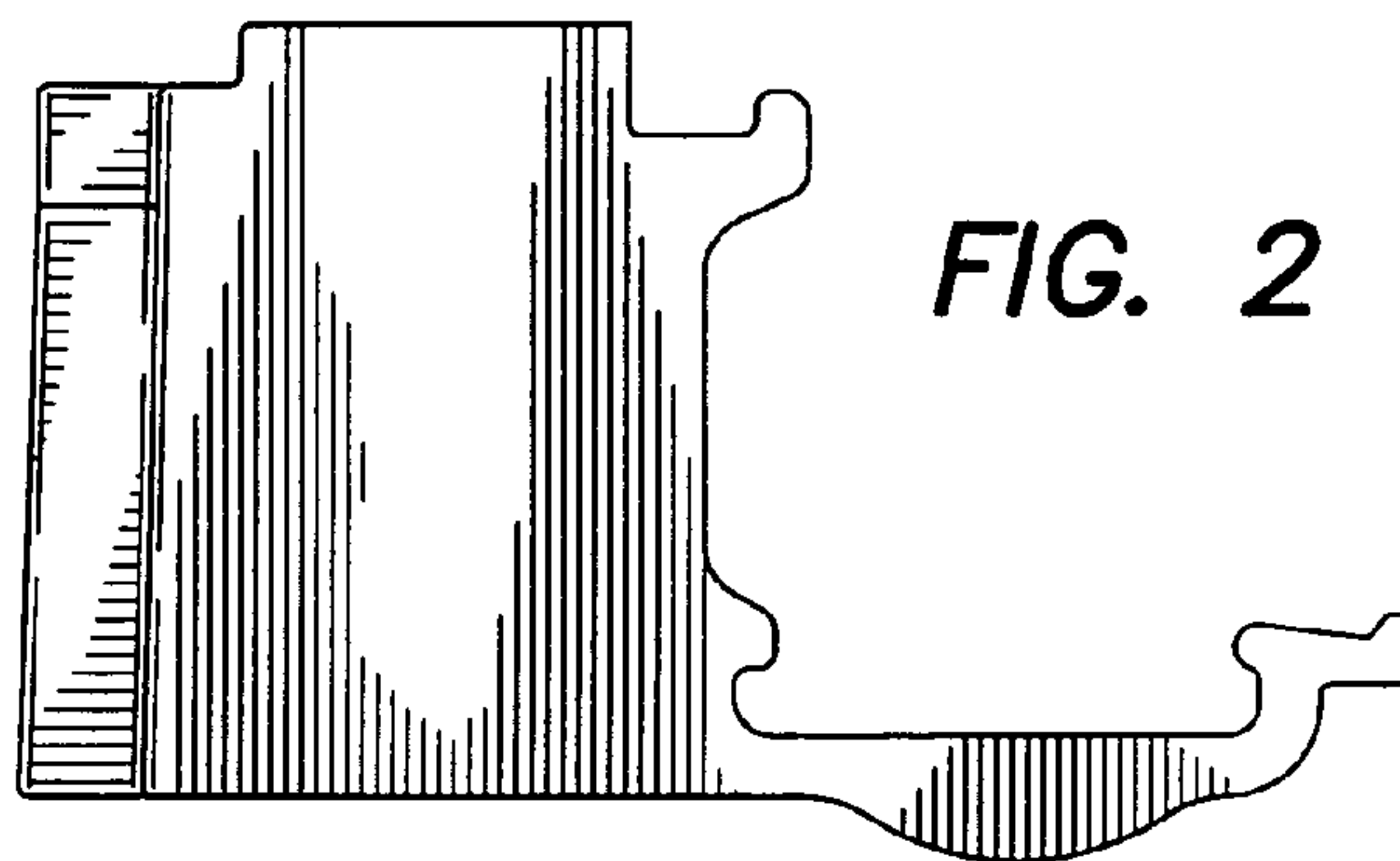
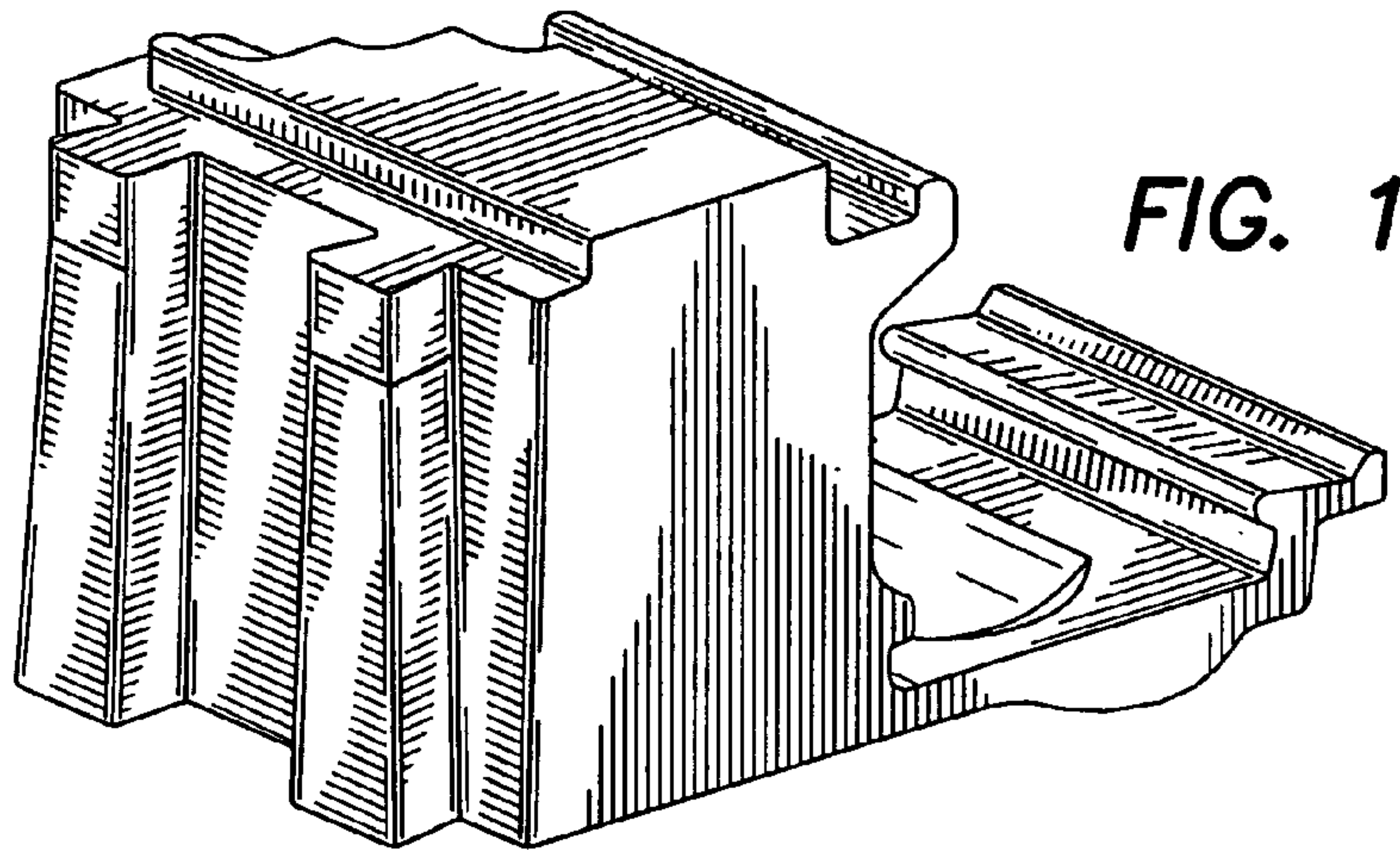
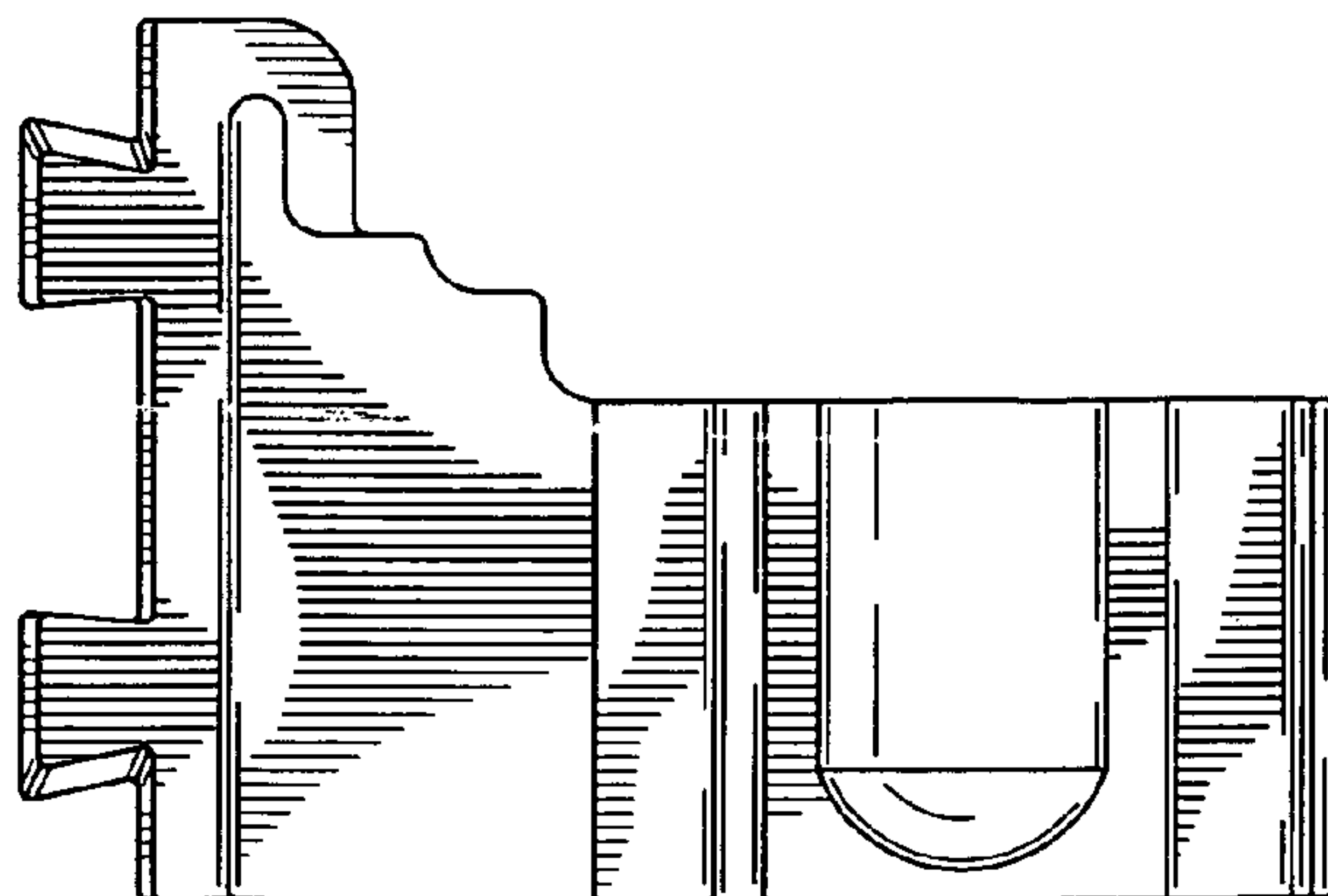


FIG. 4



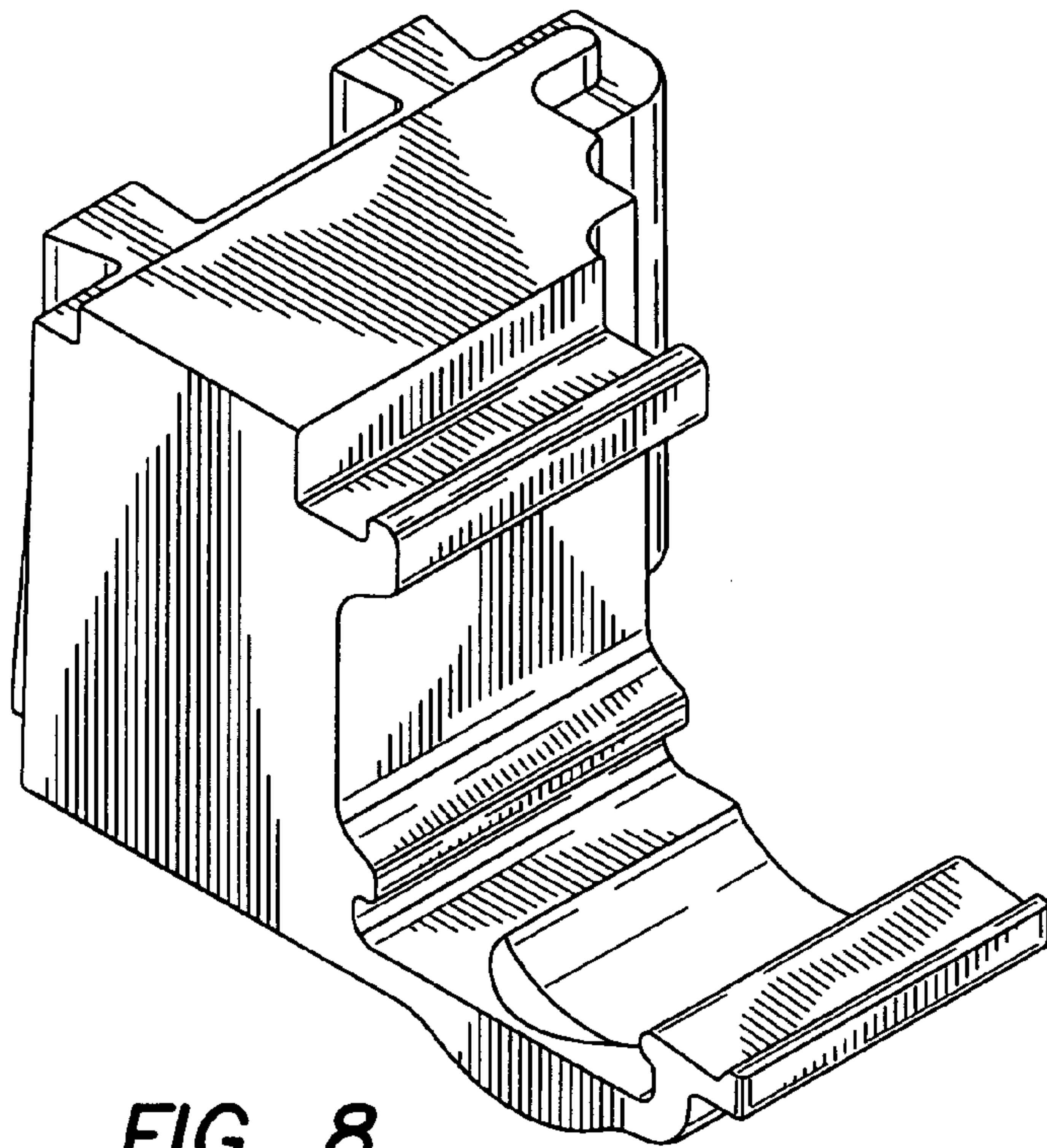


FIG. 8

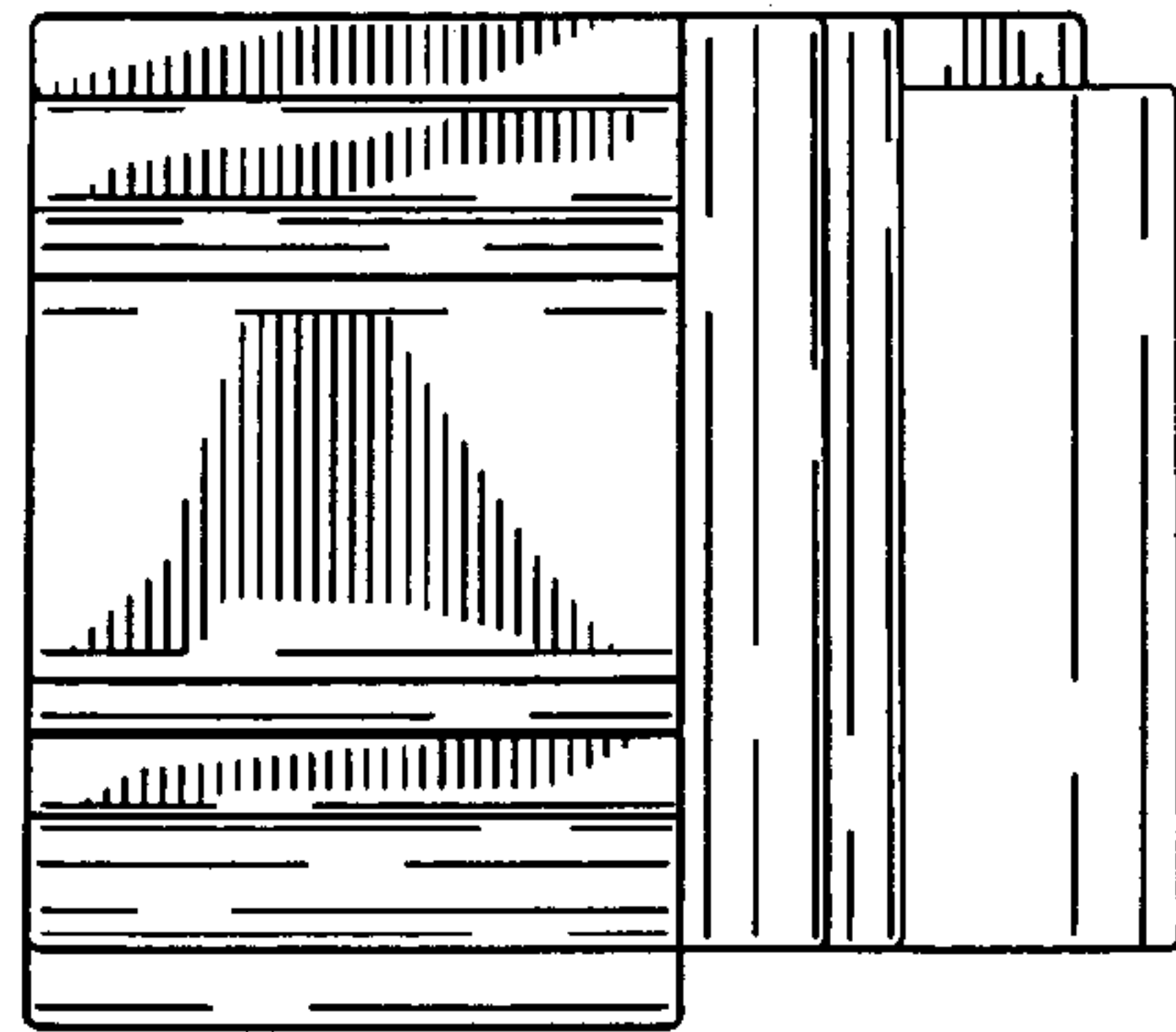


FIG. 5

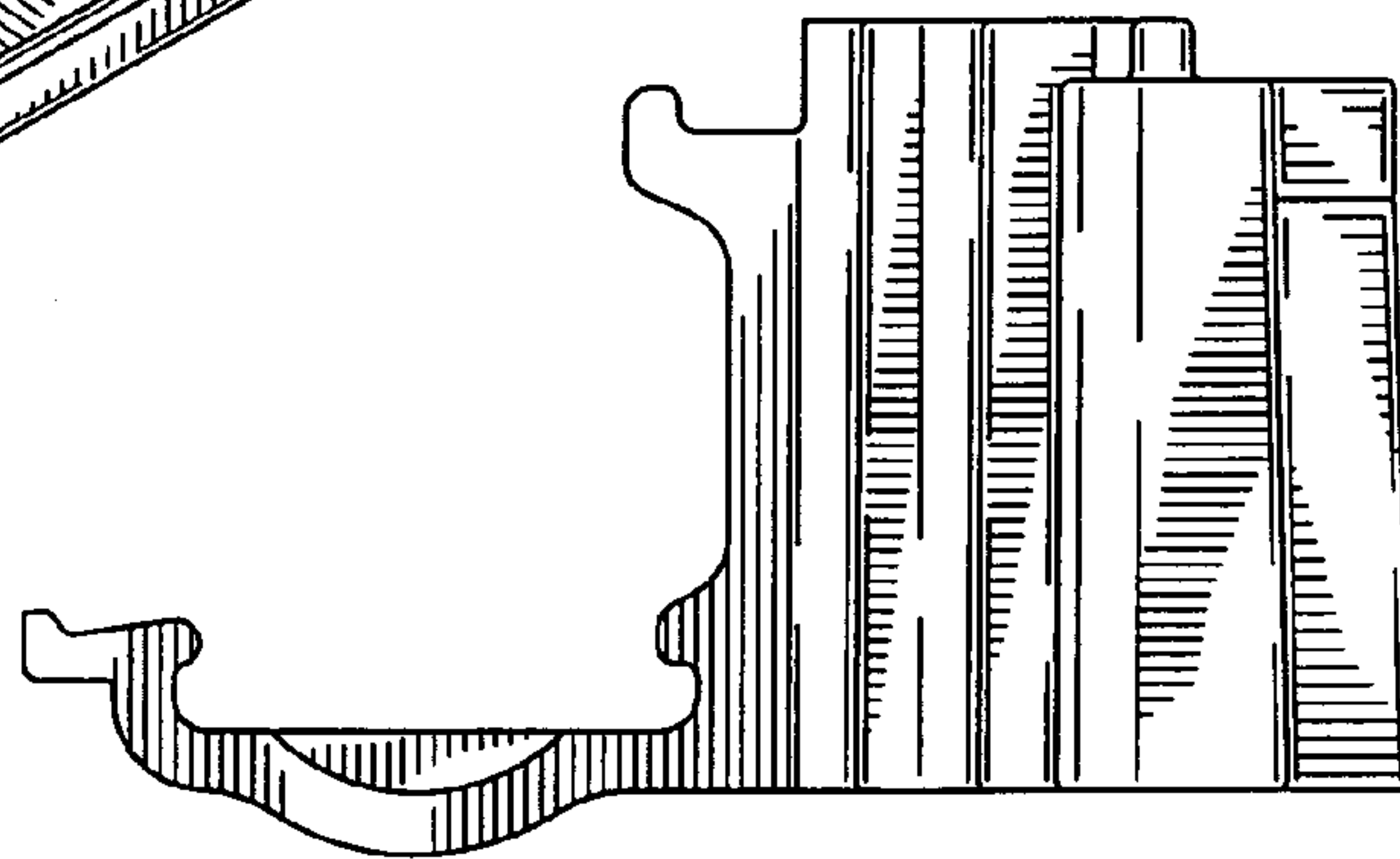


FIG. 6

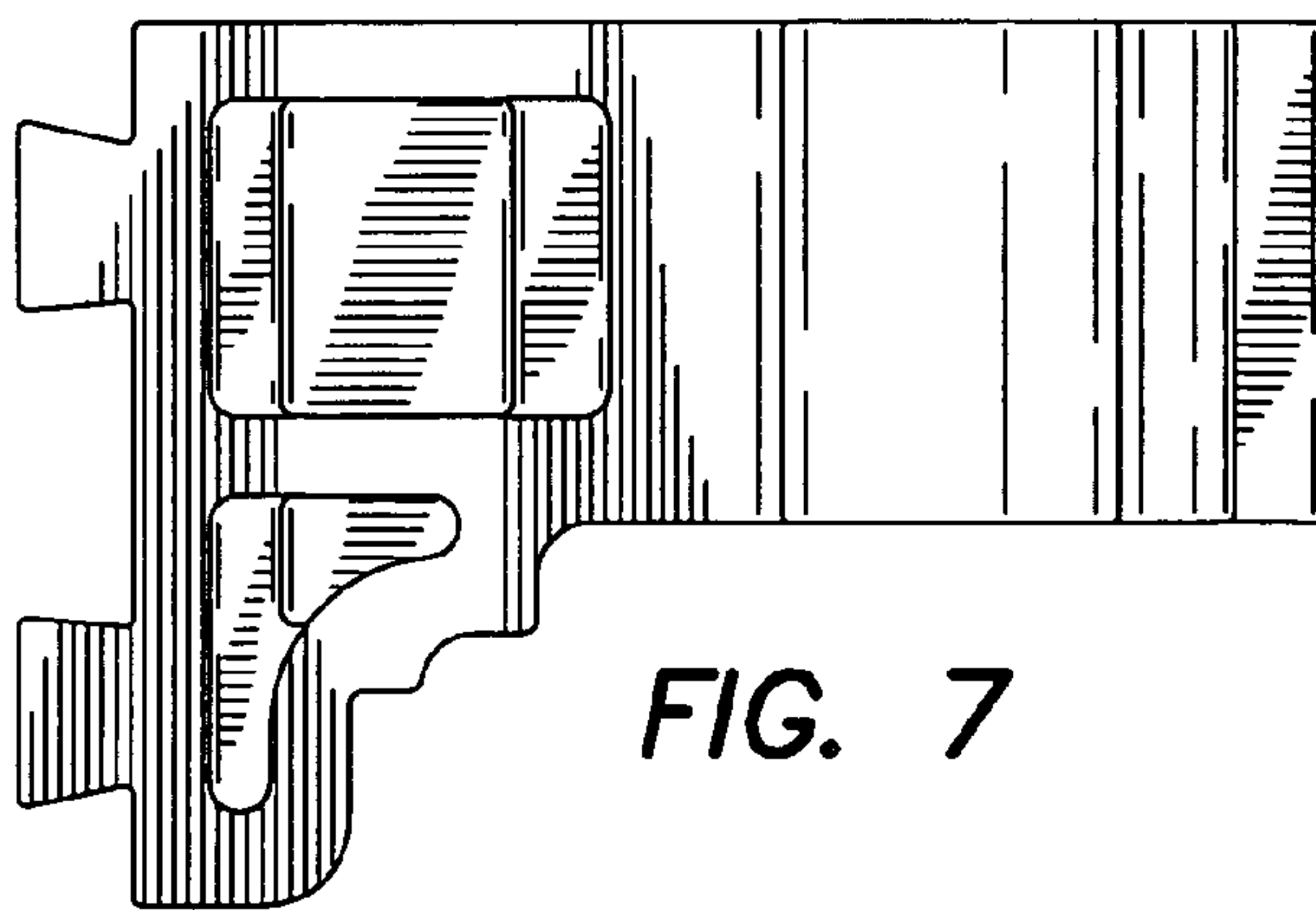


FIG. 7

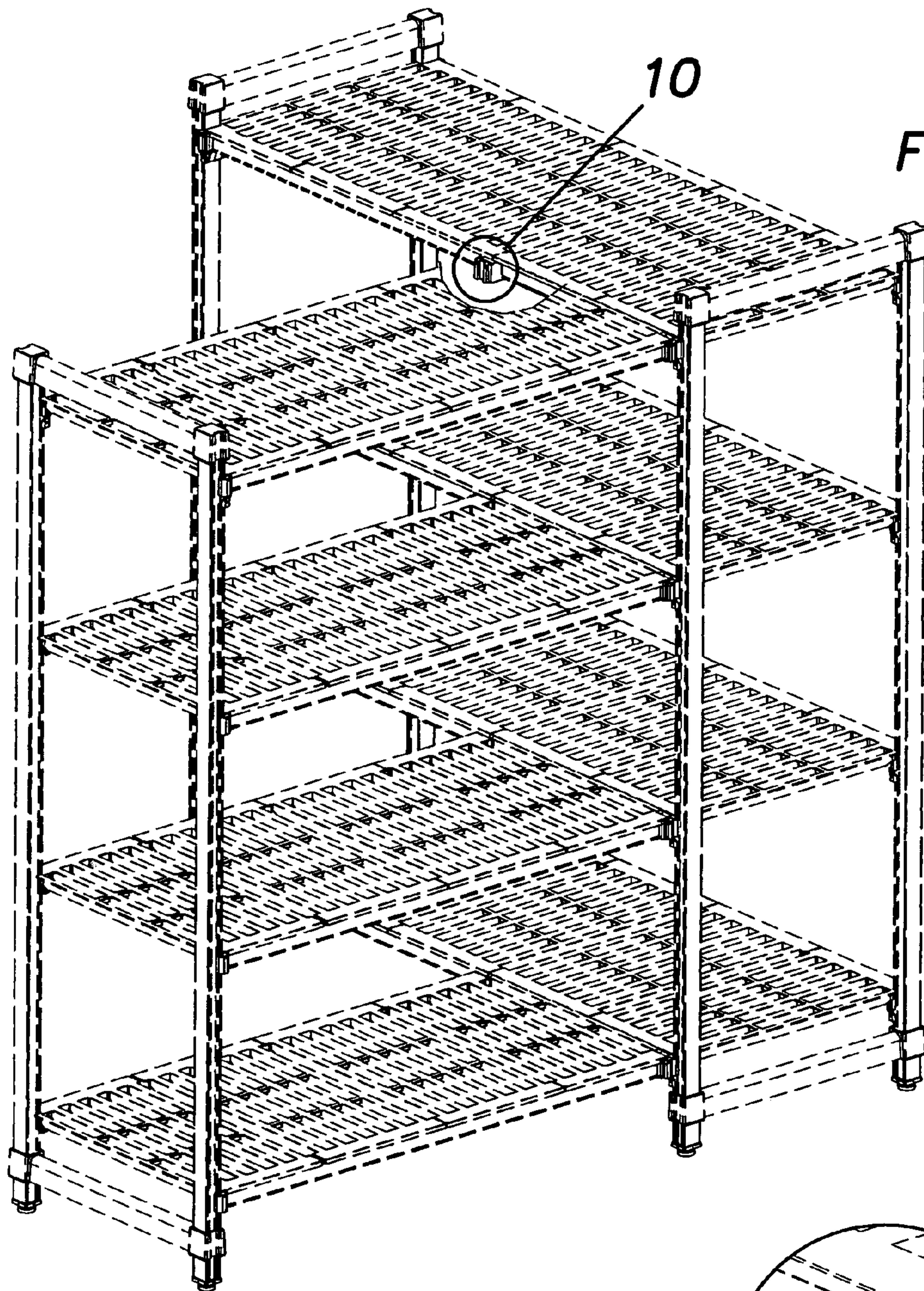


FIG. 10

