



US00D648158S

(12) **United States Design Patent**  
**Kubryk**

(10) **Patent No.:** **US D648,158 S**

(45) **Date of Patent:** **\*\* Nov. 8, 2011**

(54) **TASK CHAIR**

(76) Inventor: **Isaac Kubryk**, Lockeford, CA (US)

(\*\*) Term: **14 Years**

(21) Appl. No.: **29/349,280**

(22) Filed: **Mar. 19, 2010**

(51) **LOC (9) Cl.** ..... **06-01**

(52) **U.S. Cl.** ..... **D6/500; D6/366**

(58) **Field of Classification Search** ..... D6/334-336,  
D6/364, 365, 366, 367, 369, 374, 375, 376,  
D6/379, 380, 500-502; 297/230.1, 230.12,  
297/284.1, 284.4, 411.44, 411.45, 450.1

See application file for complete search history.

(56) **References Cited**

**U.S. PATENT DOCUMENTS**

D195,401 S *	6/1963	Johnson	.....	D6/366
D236,302 S *	8/1975	Prizlow	.....	D6/366
D280,786 S *	10/1985	Platner	.....	D6/366
D282,221 S *	1/1986	Platner	.....	D6/366
D304,654 S *	11/1989	Stafford	.....	D6/502
D327,585 S *	7/1992	Hollington	.....	D6/366

D330,810 S *	11/1992	Stafford	.....	D6/366
D408,162 S *	4/1999	Olson et al.	.....	D6/366
D414,950 S *	10/1999	James	.....	D6/366
D460,885 S *	7/2002	Silva	.....	D6/500
D468,122 S *	1/2003	Schweikarth et al.	.....	D6/366
D543,716 S *	6/2007	Votteler et al.	.....	D6/366
D603,177 S *	11/2009	Kubryk	.....	D6/366

\* cited by examiner

*Primary Examiner* — Mimosa De

(74) *Attorney, Agent, or Firm* — Audrey A. Millemann;  
Weintraub Genshlea et al.

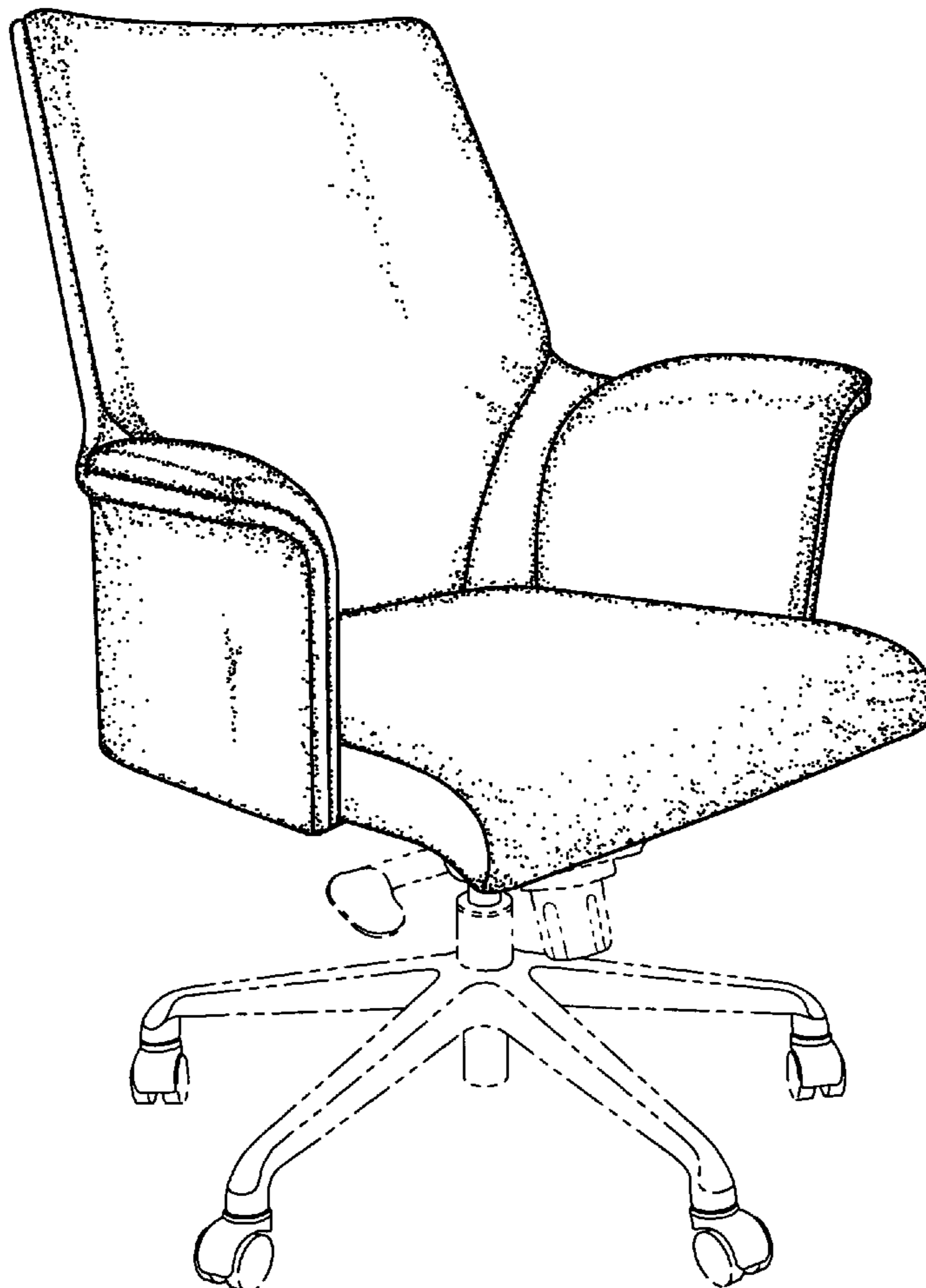
(57) **CLAIM**

The ornamental design for a task chair, as shown and described.

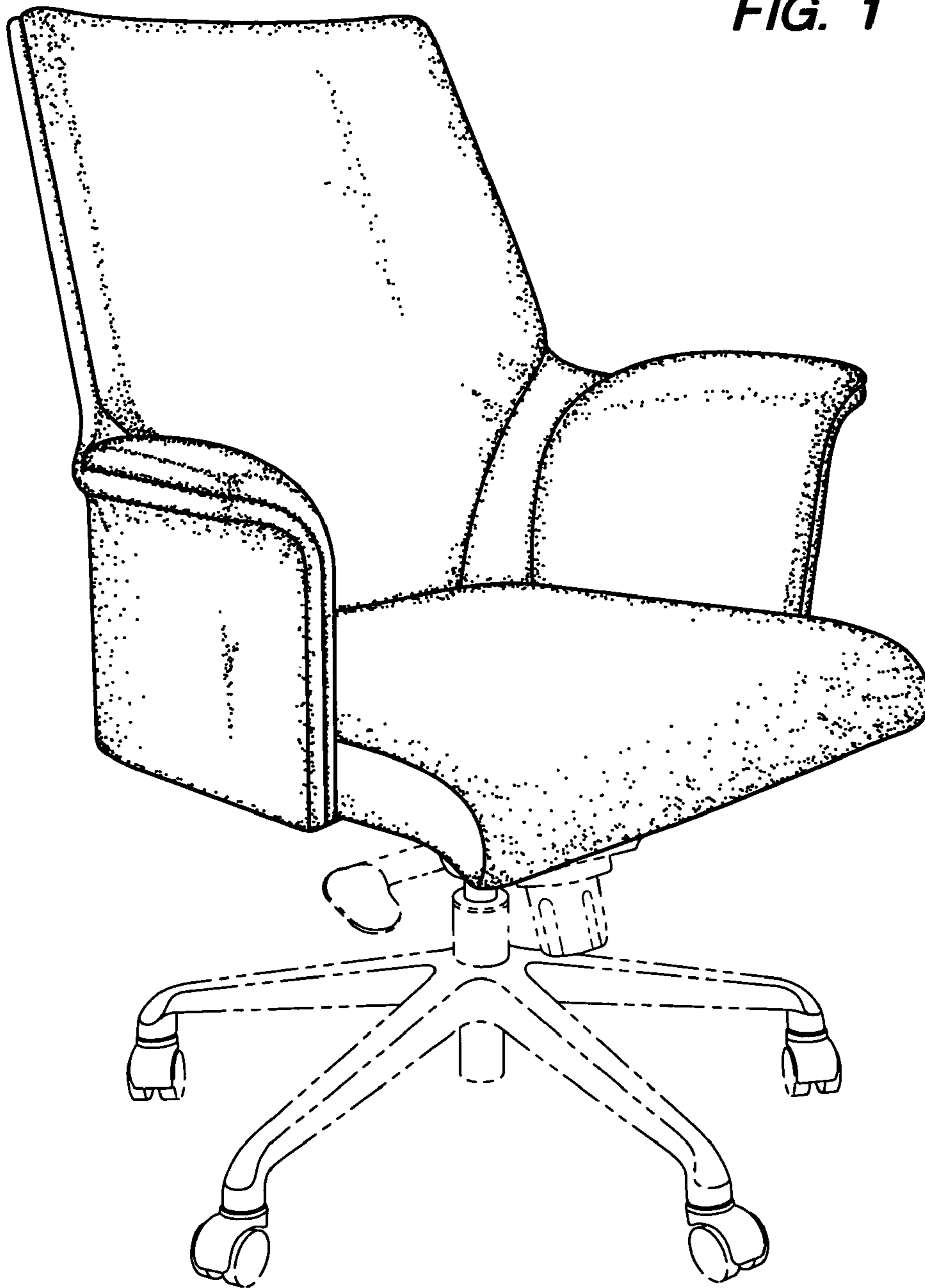
**DESCRIPTION**

FIG. 1 is a perspective view of a task chair, looking toward the right front corner, showing my new design;  
FIG. 2 is a front view thereof;  
FIG. 3 is a back view thereof;  
FIG. 4 is a right side view thereof;  
FIG. 5 is a top view thereof; and,  
FIG. 6 is a bottom view thereof.

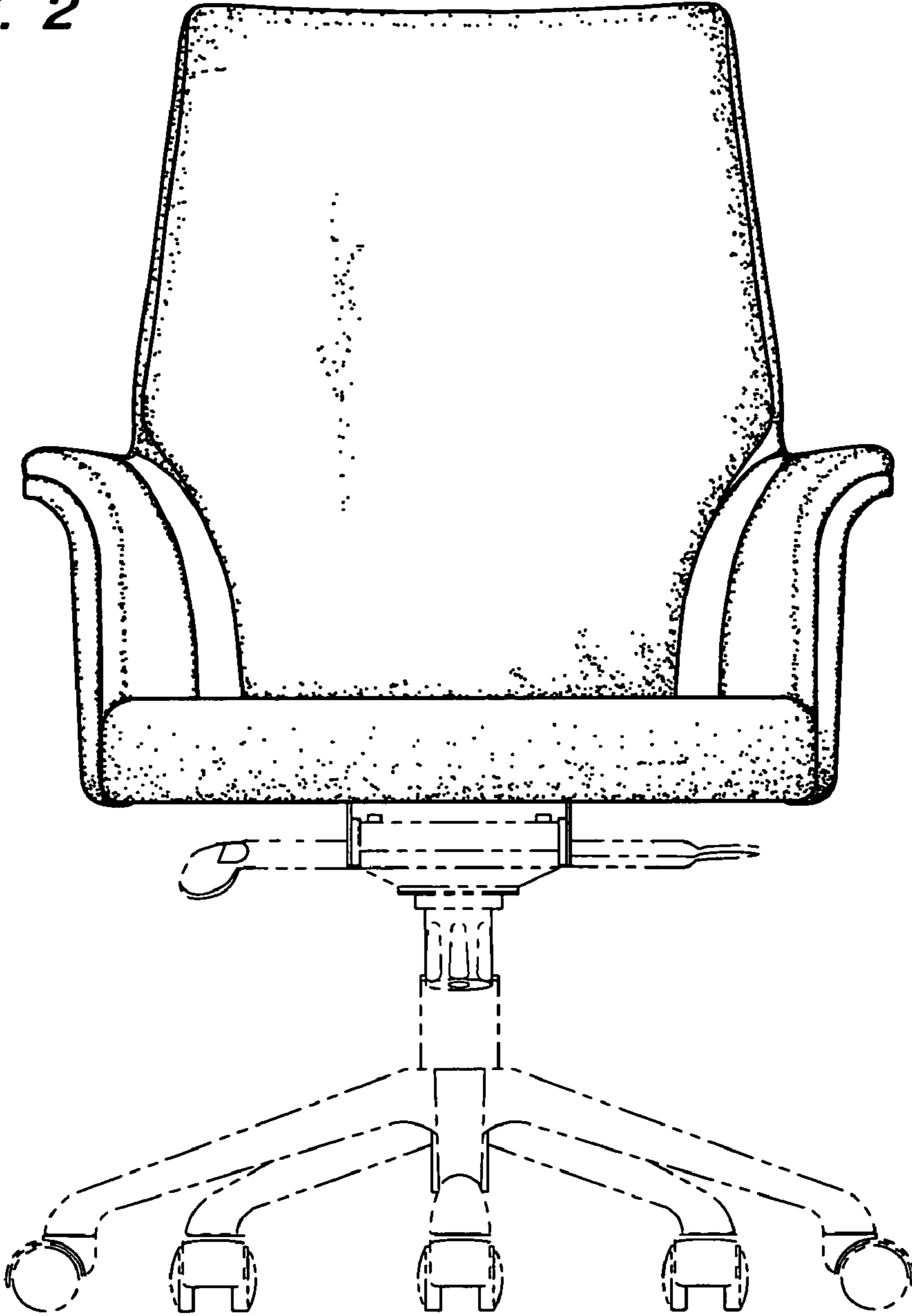
**1 Claim, 5 Drawing Sheets**



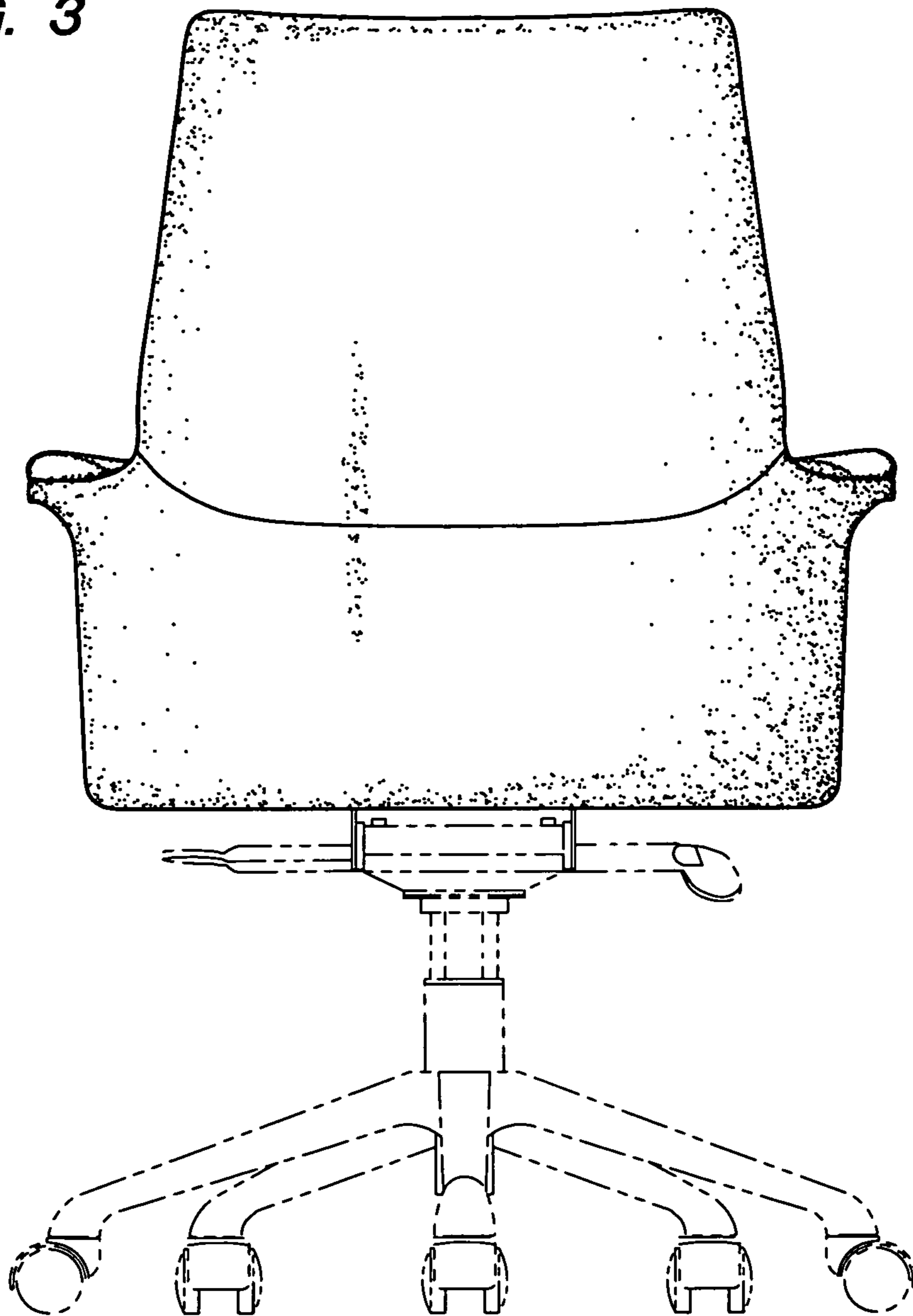
**FIG. 1**



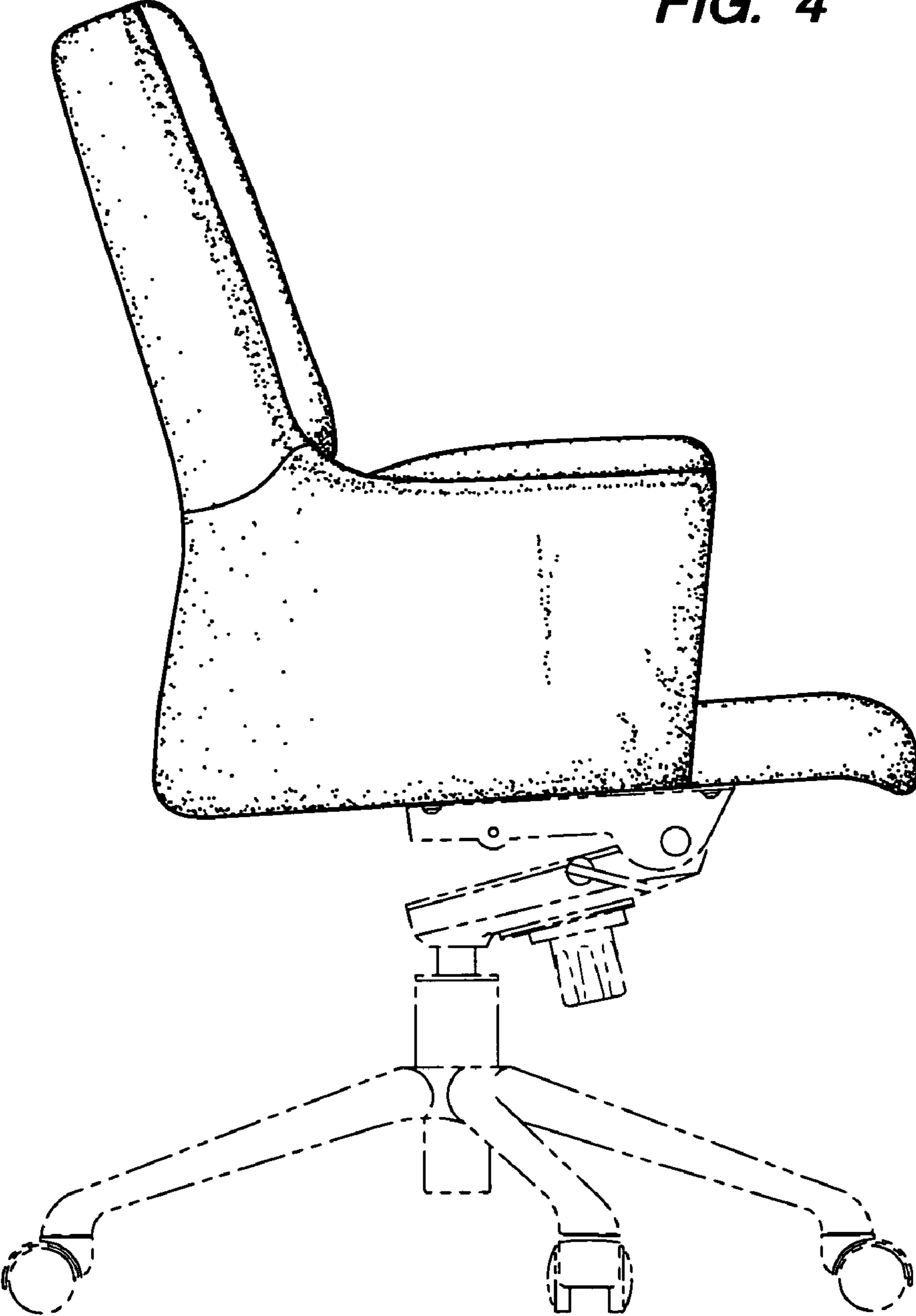
**FIG. 2**

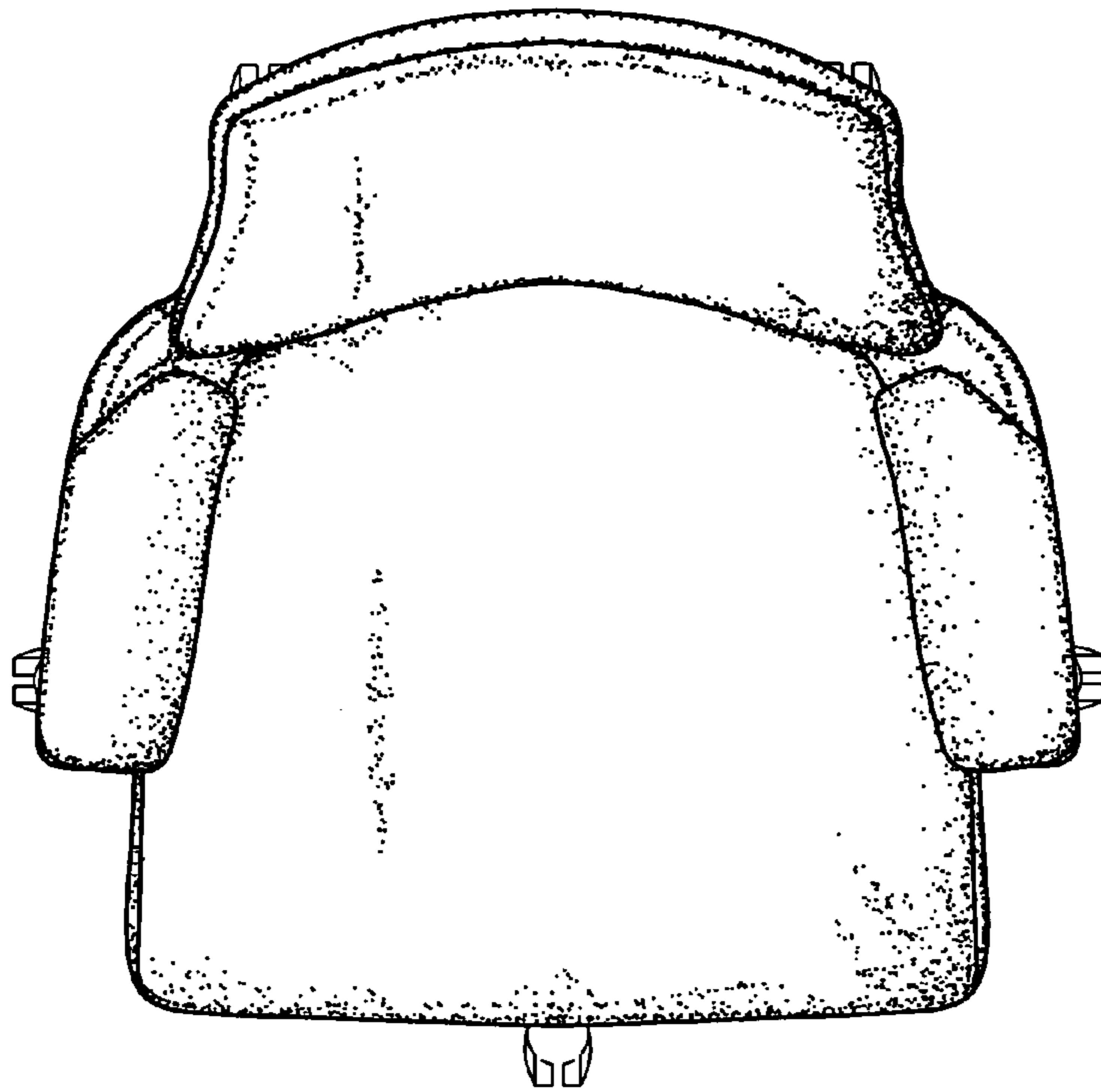


**FIG. 3**



**FIG. 4**





**FIG. 5**

**FIG. 6**

