



US00D648157S

(12) **United States Design Patent**
McCurry

(10) **Patent No.:** **US D648,157 S**

(45) **Date of Patent:** **** Nov. 8, 2011**

(54) **CHAIR**

(75) Inventor: **Margaret McCurry**, Chicago, IL (US)

(73) Assignee: **Landscape Forms, Inc.**, Kalamazoo, MI (US)

(**) Term: **14 Years**

(21) Appl. No.: **29/388,608**

(22) Filed: **Mar. 31, 2011**

(51) **LOC (9) Cl.** **06-06**

(52) **U.S. Cl.** **D6/495**

(58) **Field of Classification Search** D6/334-336,
D6/358-381, 429-431, 480-489, 495-502;
248/188, 188.1, 346.01; 297/411.2, 411.27,
297/411.28, 445.1, 446.1

See application file for complete search history.

(56) **References Cited**

U.S. PATENT DOCUMENTS

D112,453 S *	12/1938	Sperlich	D6/373
D213,439 S *	3/1969	Koch	D6/375
D236,049 S *	7/1975	Tacke	D6/373
D253,678 S *	12/1979	Gibilterra	D6/373
D285,753 S *	9/1986	Zola	D6/373
D286,472 S *	11/1986	Arthur, Jr.	D6/379
D298,787 S *	12/1988	Greene	D6/373
D318,764 S *	8/1991	Hess	D6/379
D333,045 S *	2/1993	Hess et al.	D6/376
D344,194 S *	2/1994	Gibbs	D6/373
D344,417 S *	2/1994	Schwartz	D6/373
D347,123 S *	5/1994	Lowsky	D6/369
D347,124 S *	5/1994	Lowsky	D6/373
D361,440 S *	8/1995	Hess	D6/373
D431,727 S *	10/2000	Bell	D6/373

D486,664 S *	2/2004	Pappas	D6/381
D506,324 S *	6/2005	Milinov et al.	D6/335
D529,736 S *	10/2006	McCurry	D6/500
D530,548 S *	10/2006	McCurry	D6/500
D532,210 S *	11/2006	McCurry	D6/349
D532,983 S *	12/2006	McCurry	D6/349
D562,020 S *	2/2008	Massaud	D6/373
D564,770 S *	3/2008	Alter Molina et al.	D6/371
D584,068 S *	1/2009	Figueras Mitjans	D6/375
D606,329 S *	12/2009	Van Duysen	D6/375

OTHER PUBLICATIONS

<http://www.landscapeforms.com>, Lakeside Bench, Landscape Forms, Feb. 16, 2011.

* cited by examiner

Primary Examiner — Ricky Pham

(74) *Attorney, Agent, or Firm* — Heslin Rothenberg Farley & Mesiti P.C.

(57) **CLAIM**

The ornamental design for the chair, as shown and described.

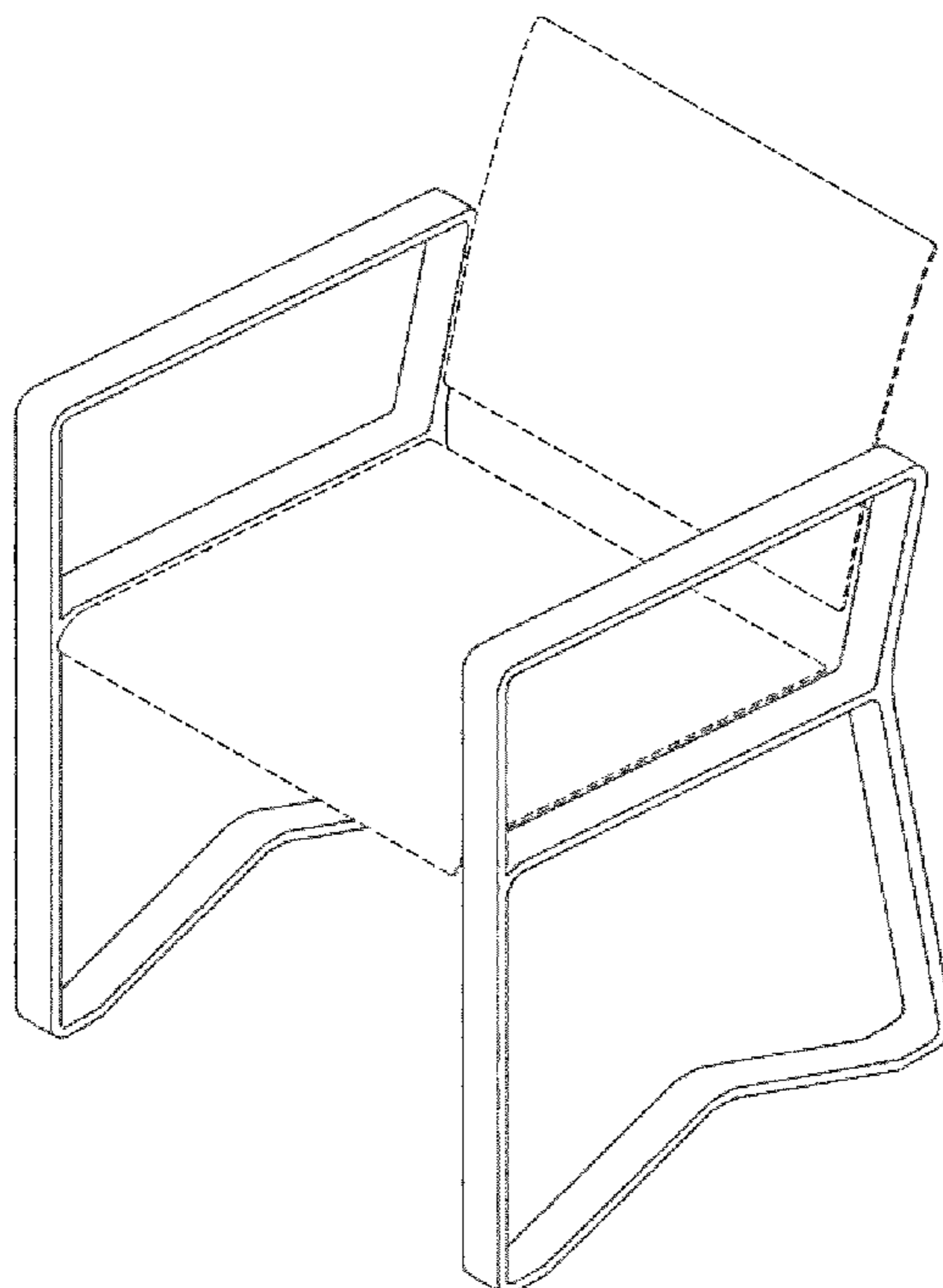
DESCRIPTION

This application is related to commonly assigned, concurrently filed applications Ser. No. 29/388,609 and Ser. No. 29/388,610.

FIG. 1 is an isometric view of the chair of the present design; FIG. 2 is a front elevation view thereof; FIG. 3 is a right side elevation view thereof, the left side elevation view being a mirror image thereof; FIG. 4 is a rear elevation view thereof; and, FIG. 5 is a top plan view thereof.

The broken lines in the figures are for illustrative purposes only and form no part of the claimed invention.

1 Claim, 5 Drawing Sheets



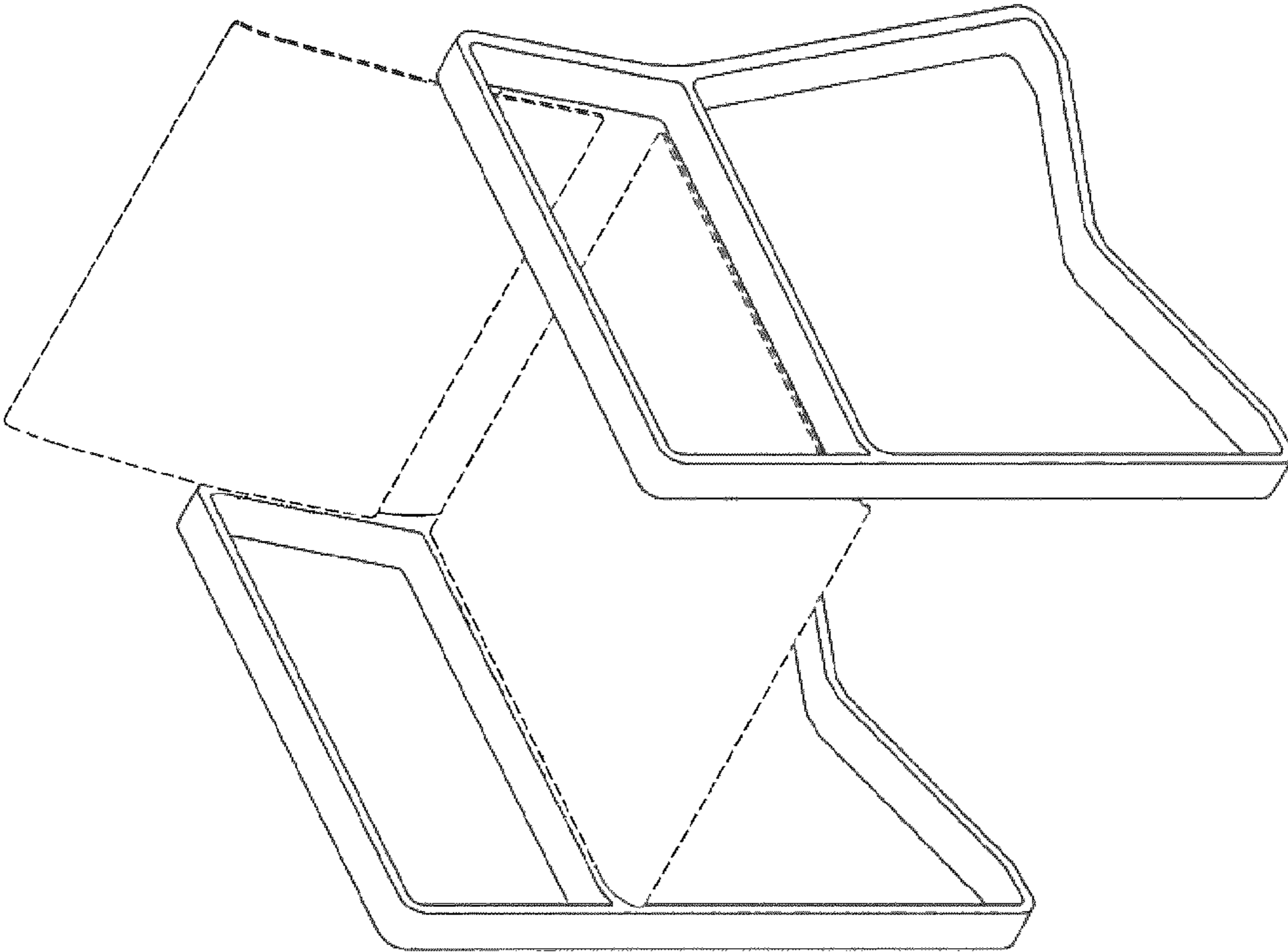


FIGURE 1

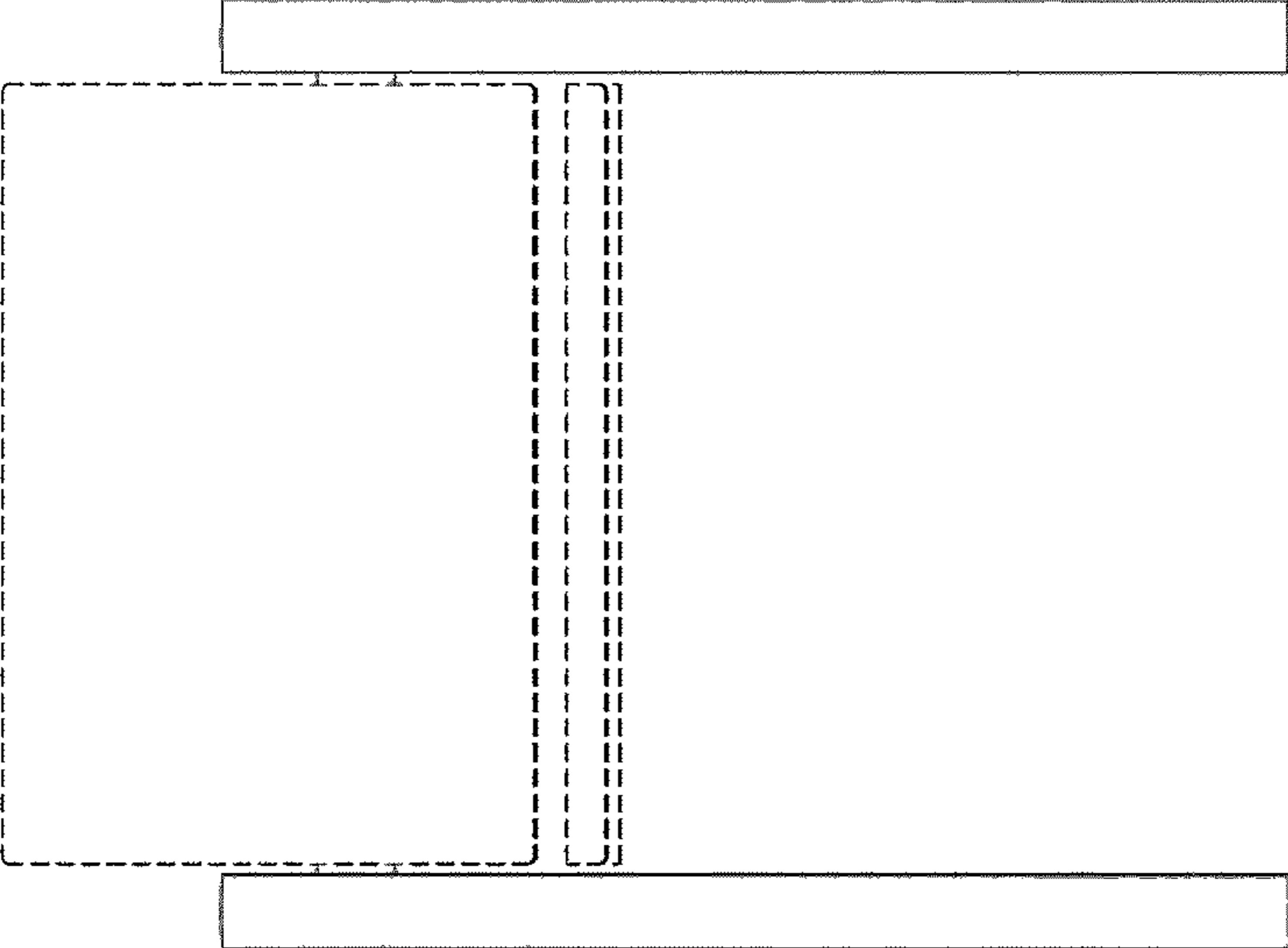


FIGURE 2

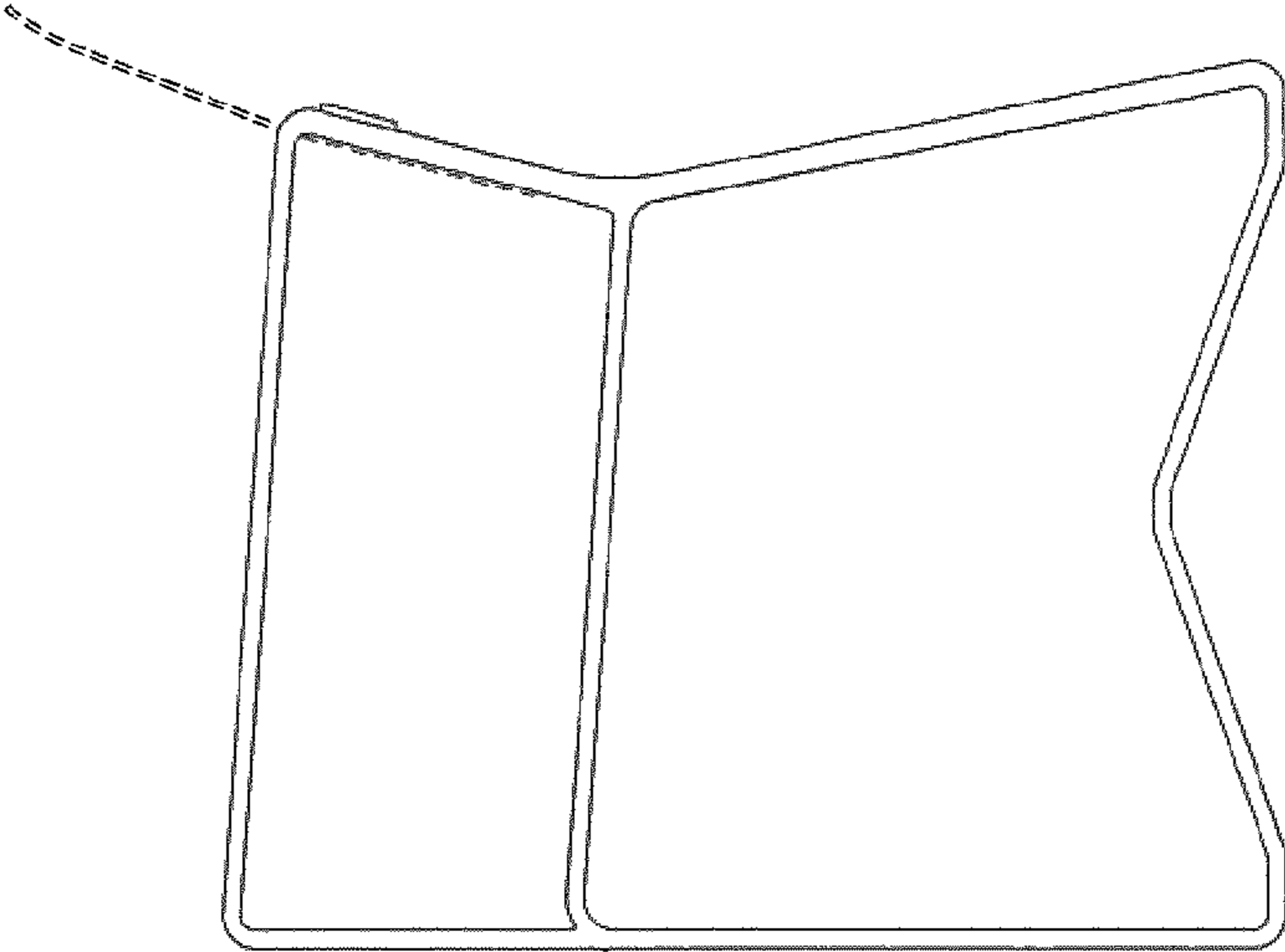


FIGURE 3

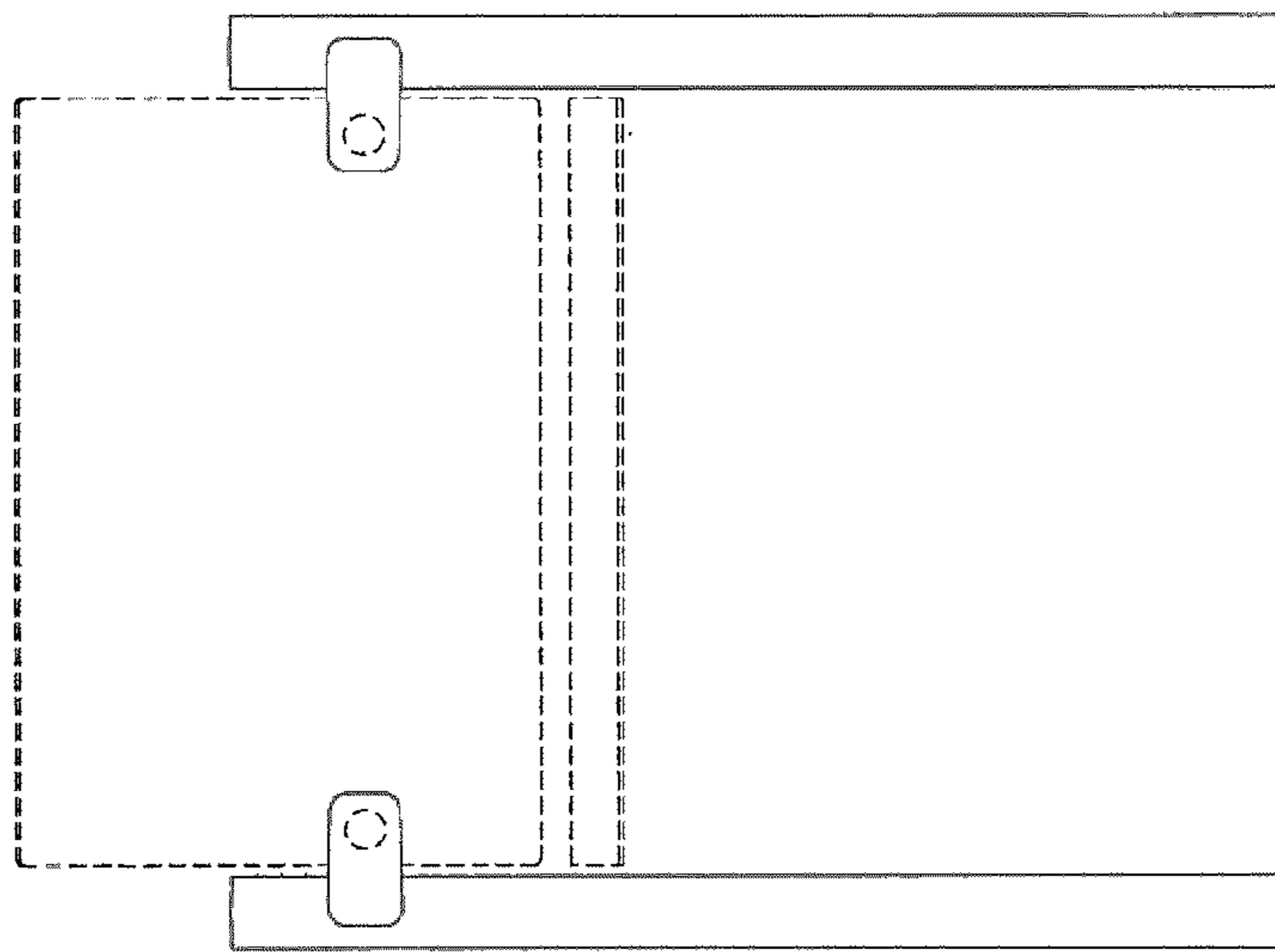


FIGURE 4

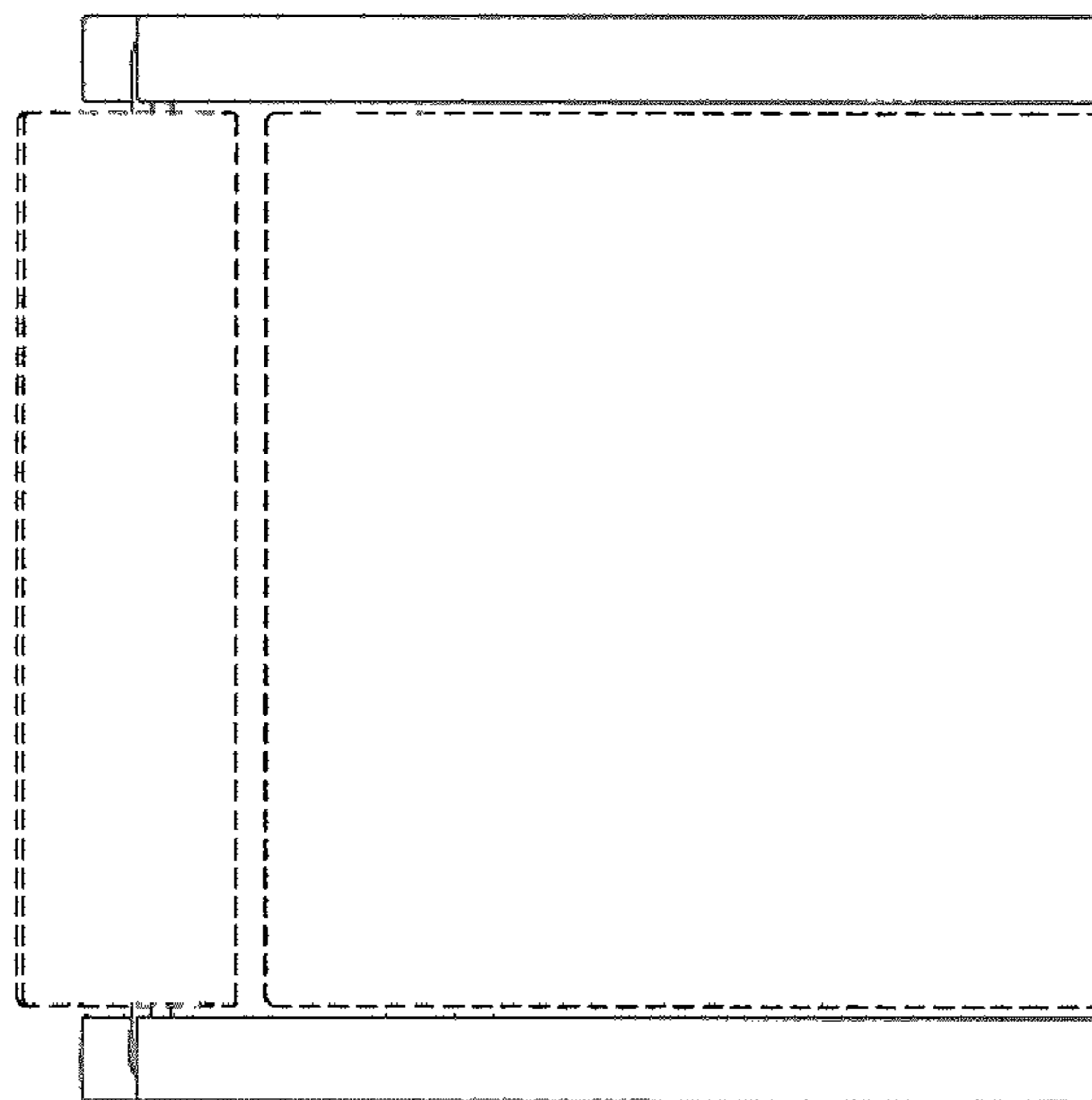


FIGURE 5