



US00D648156S

(12) **United States Design Patent**
Ernst et al.

(10) **Patent No.:** **US D648,156 S**

(45) **Date of Patent:** **** Nov. 8, 2011**

(54) **CONCRETE TABLE**

(75) Inventors: **Gregory Scott Ernst**, Elgin, MN (US);
Rick Pederson, Rosemount, MN (US)

(73) Assignee: **Mortarless Technologies, LLC**,
Rochester, MN (US)

(**) Term: **14 Years**

(21) Appl. No.: **29/381,834**

(22) Filed: **Dec. 23, 2010**

(51) **LOC (9) Cl.** **06-03**

(52) **U.S. Cl.** **D6/486**

(58) **Field of Classification Search** D6/480-489,
D6/495, 511, 429-431; 108/150, 153.1,
108/155, 156, 161; 248/188, 188.1, 188.8
See application file for complete search history.

(56) **References Cited**

U.S. PATENT DOCUMENTS

D184,794 S * 4/1959 Barber D7/333
D239,843 S * 5/1976 Freeman D21/397
D271,923 S * 12/1983 Thompson D6/485
4,548,324 A * 10/1985 Mackey, Jr. D6/457
D304,396 S * 11/1989 Pitchersky et al. D6/451

D306,108 S * 2/1990 Grosfillex D6/486
D381,535 S * 7/1997 Richardson D6/486
D513,796 S * 1/2006 Borowske et al. D23/343

* cited by examiner

Primary Examiner — Janice Seeger

(74) *Attorney, Agent, or Firm* — Fish & Richardson P.C.

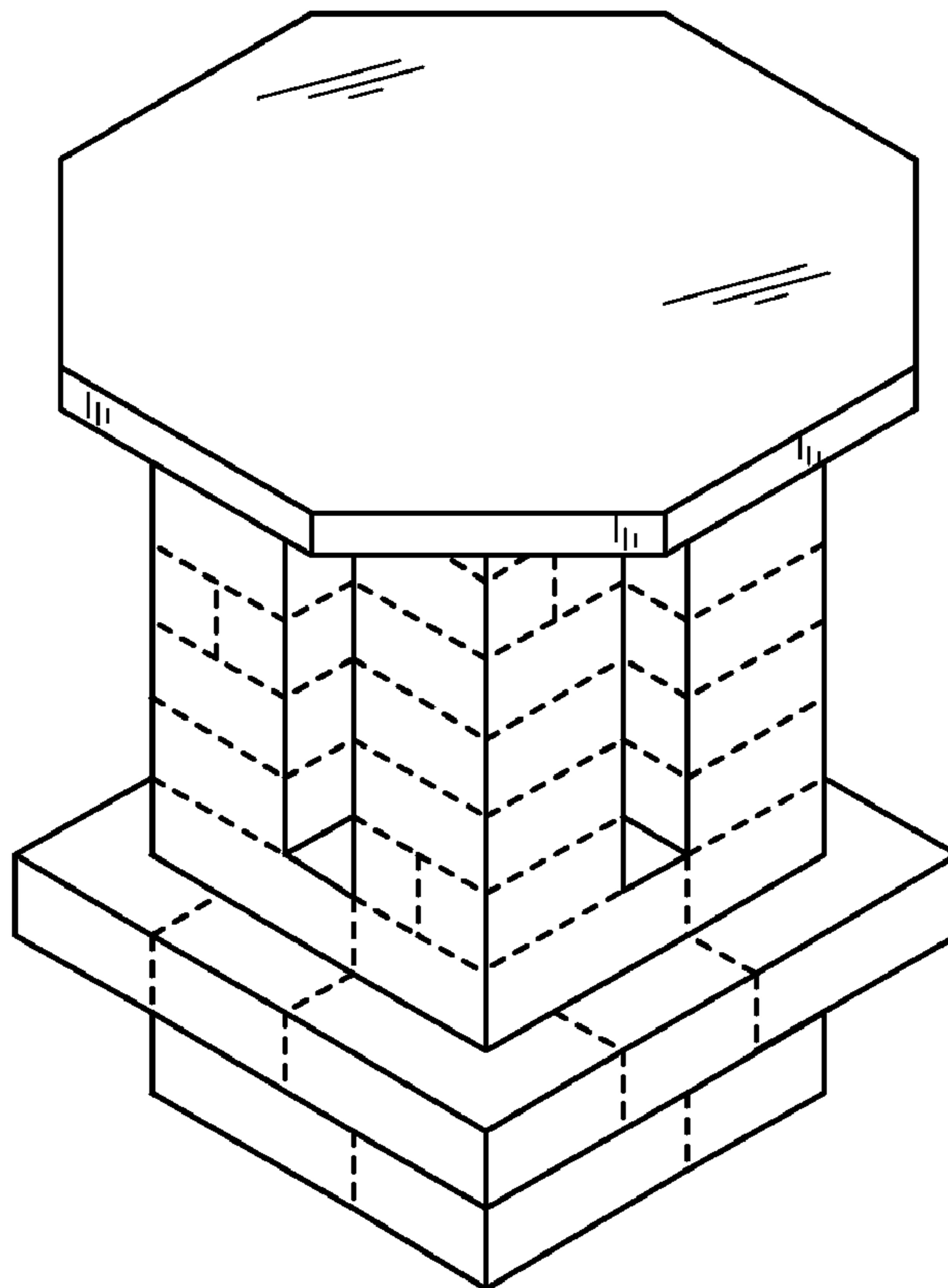
(57) **CLAIM**

The ornamental design for a concrete table, as shown and described.

DESCRIPTION

FIG. 1 is a perspective view of a concrete table.
FIG. 2 is a top view of the concrete table of FIG. 1.
FIG. 3 is a bottom view of the concrete table of FIG. 1.
FIG. 4 is a left side view of the concrete table of FIG. 1.
FIG. 5 is a right side view of the concrete table of FIG. 1.
FIG. 6 is a back view of the concrete table of FIG. 1.
FIG. 7 is a front view of the concrete table of FIG. 1; and,
FIG. 8 is a perspective view of a concrete table of FIG. 1 with the top raised to show an exemplary block arrangement underneath the raised top.
The broken lines are for environmental purposes only and form no part of the claimed design.

1 Claim, 4 Drawing Sheets



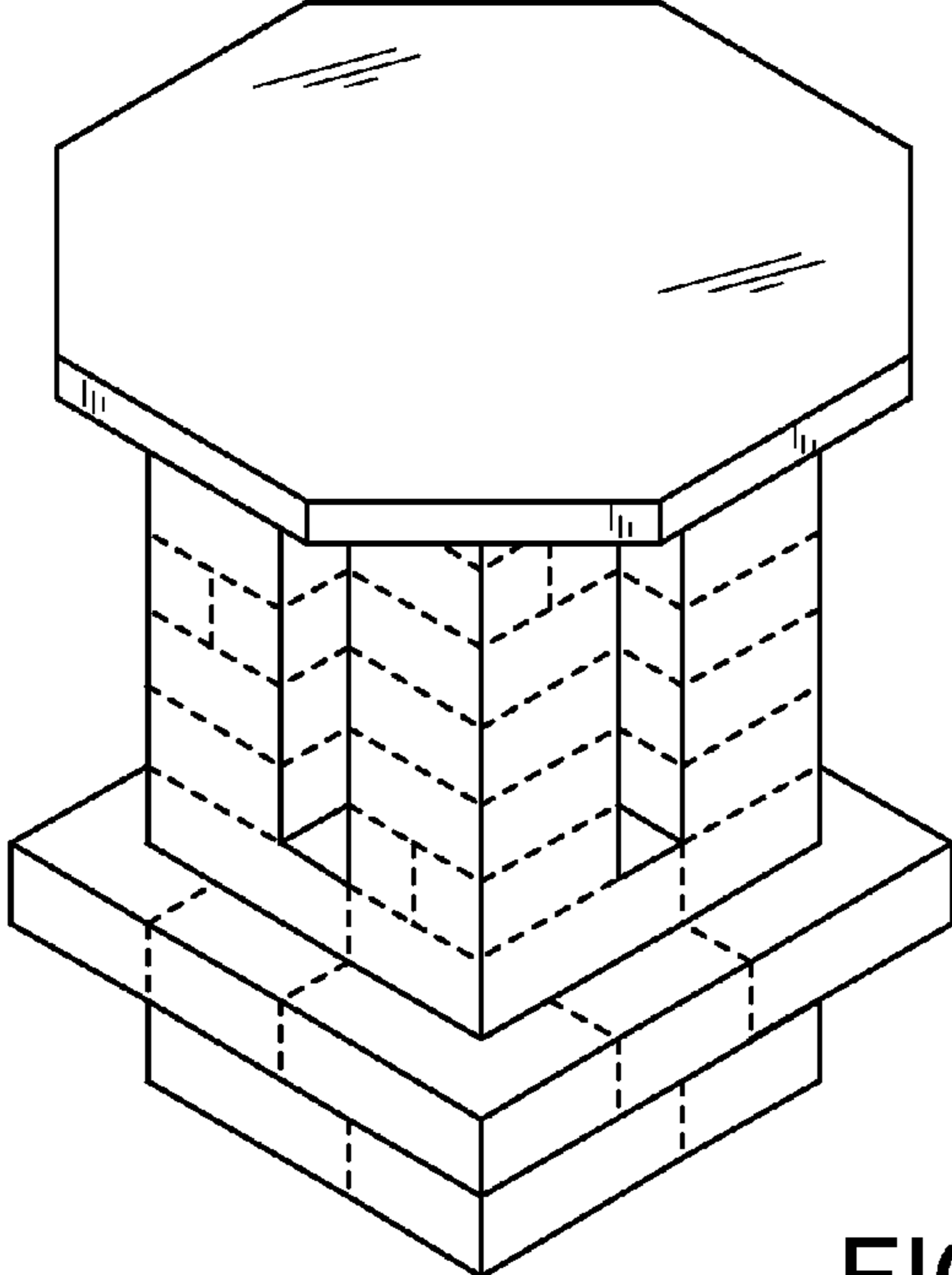


FIG. 1

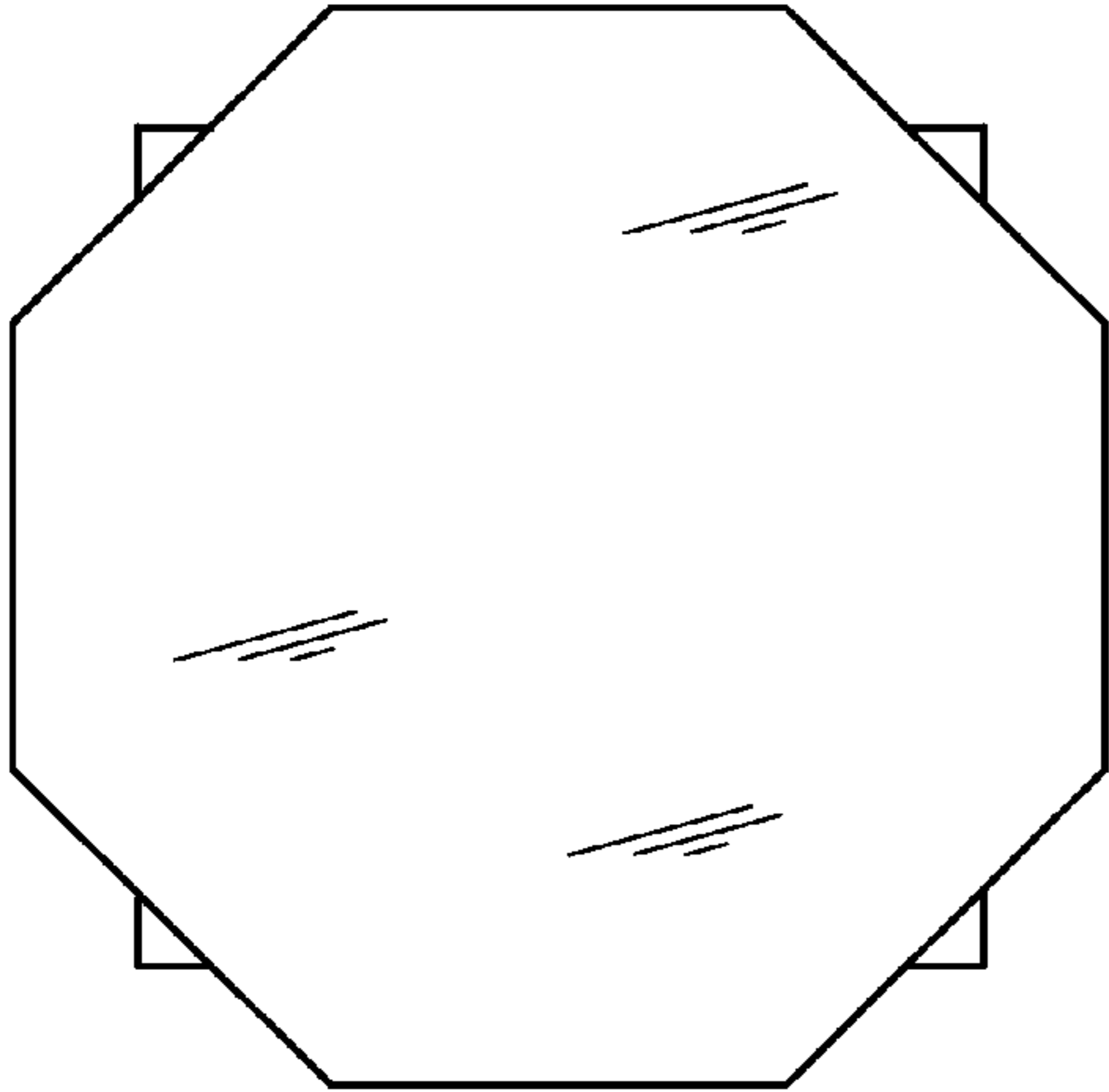


FIG. 2

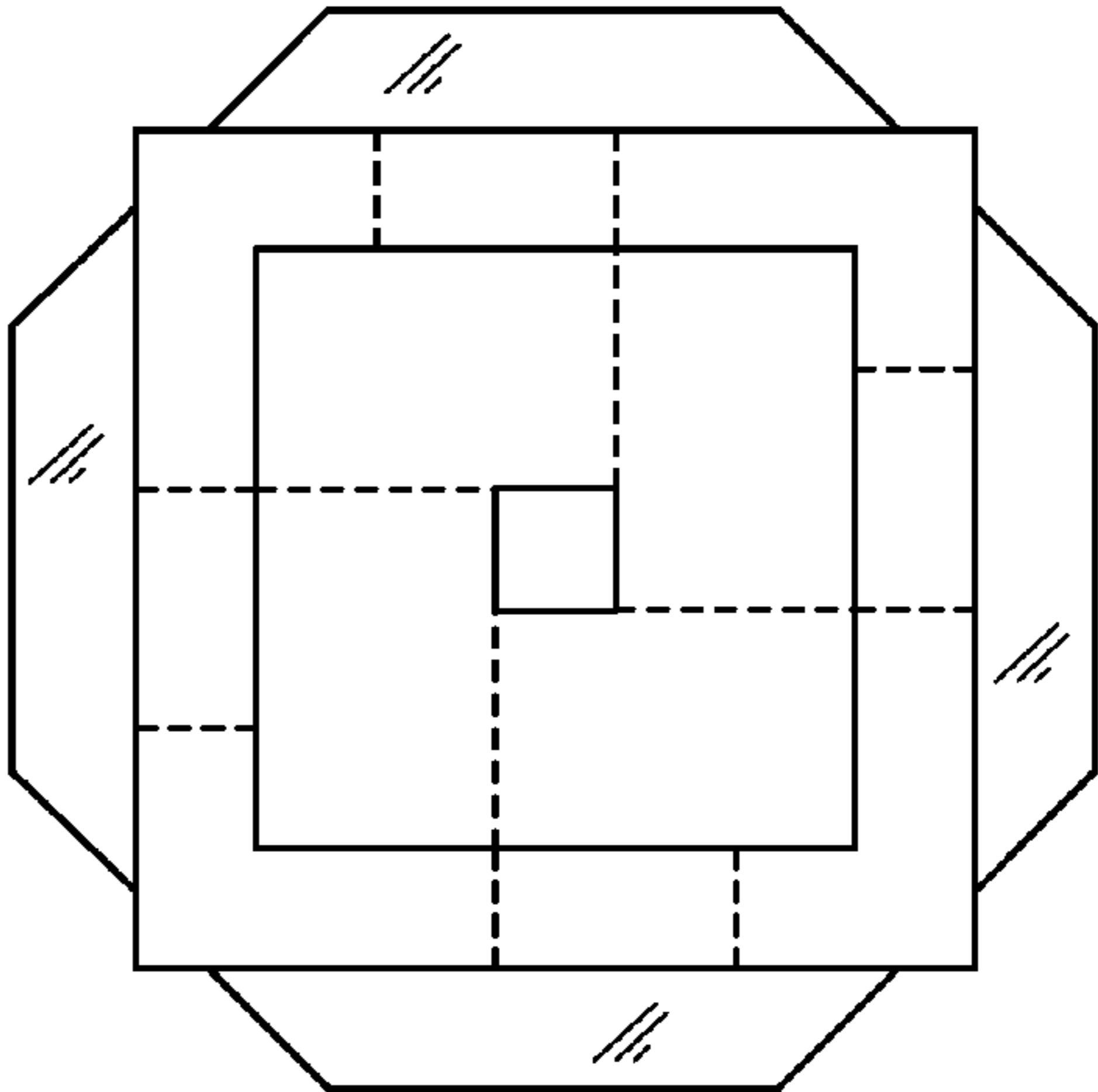


FIG. 3

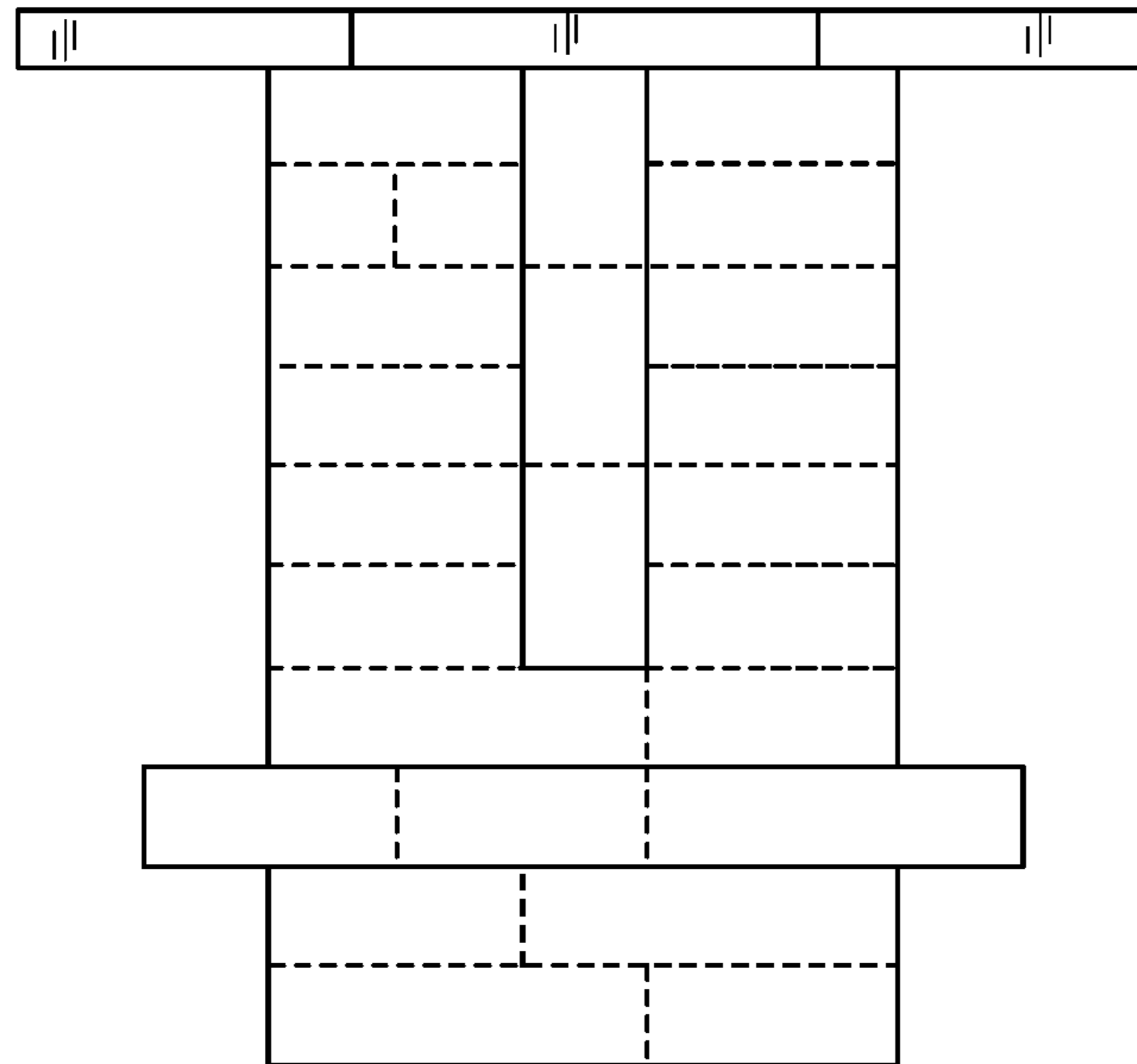


FIG. 4

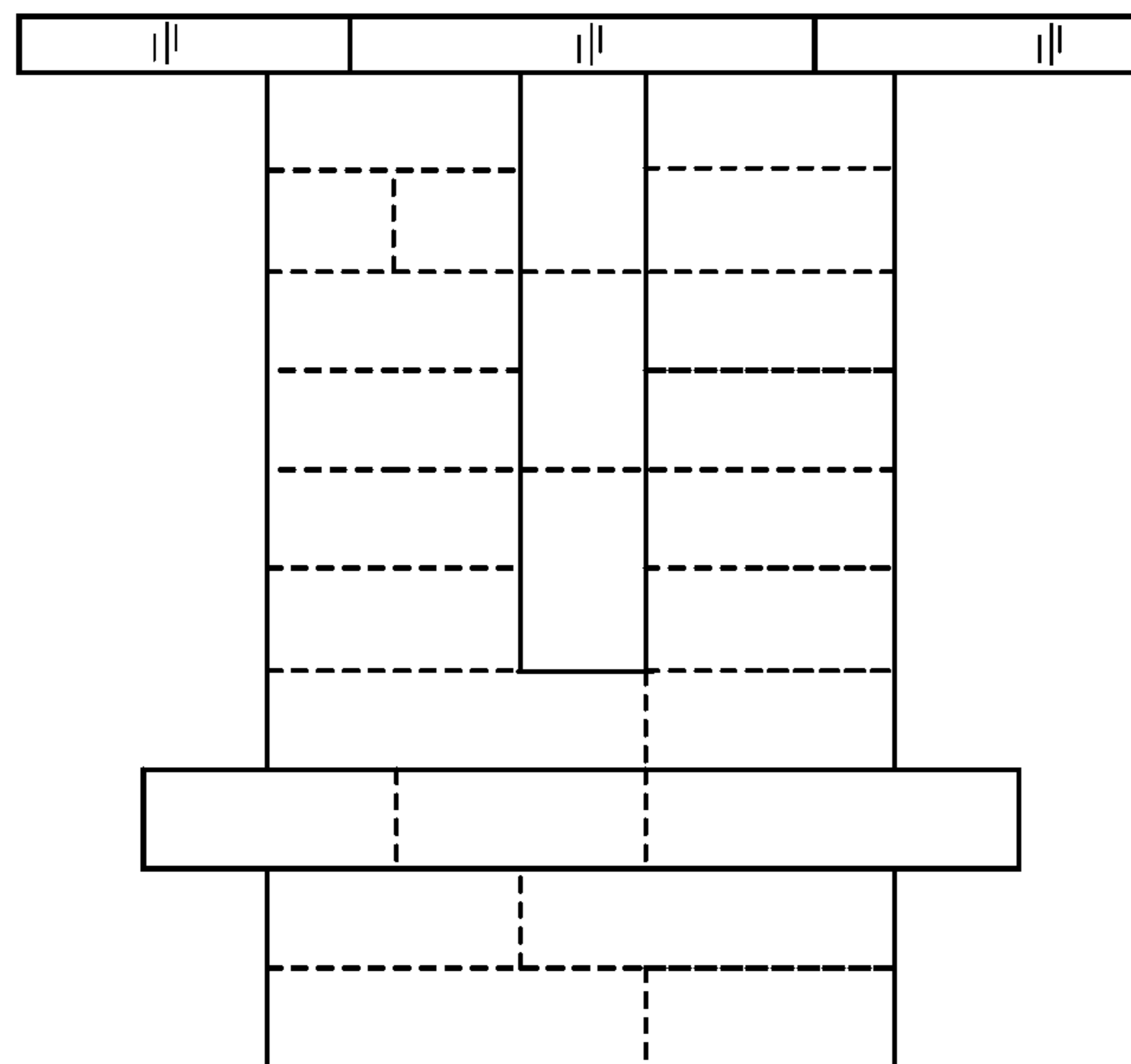


FIG. 5

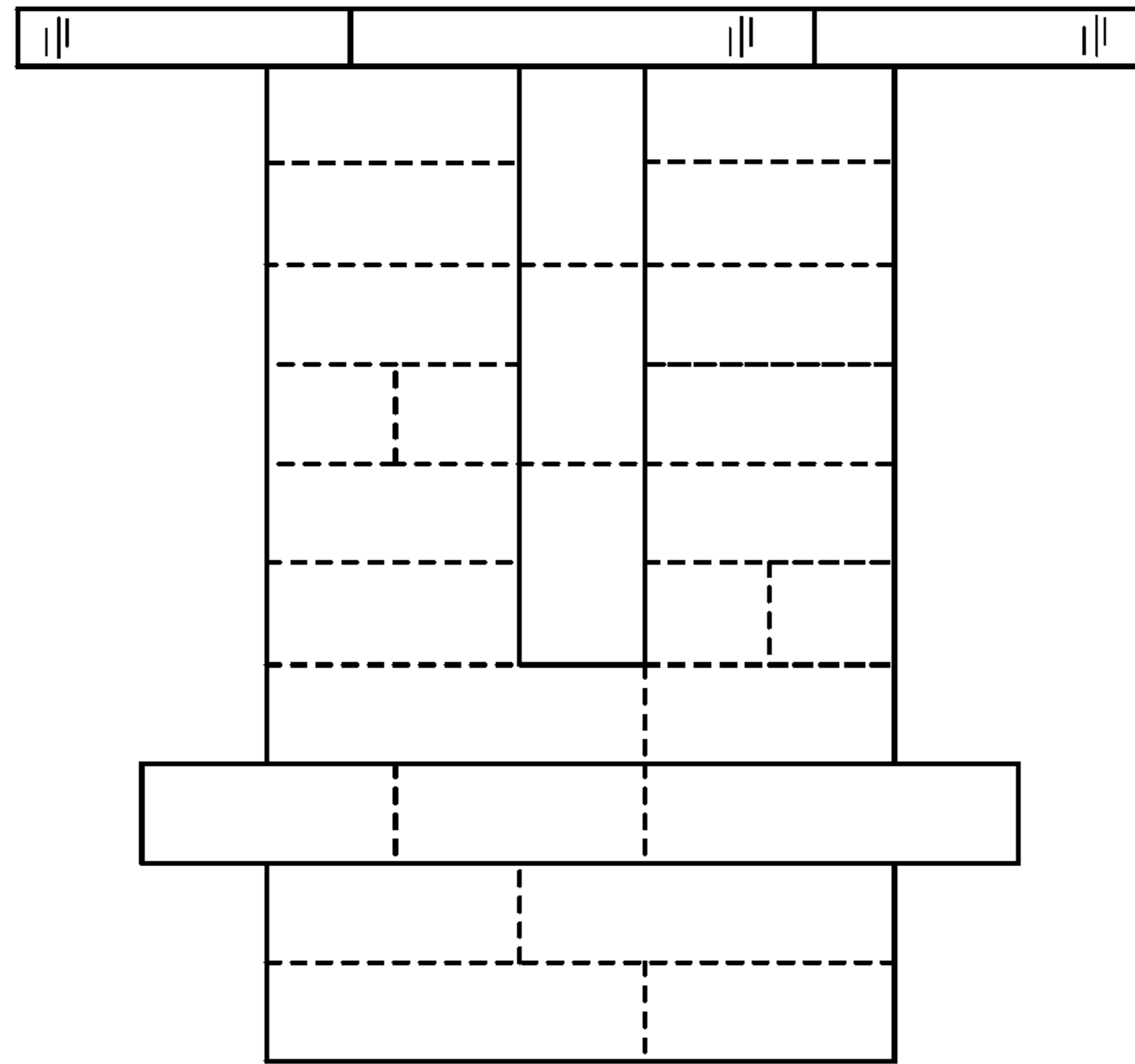


FIG. 6

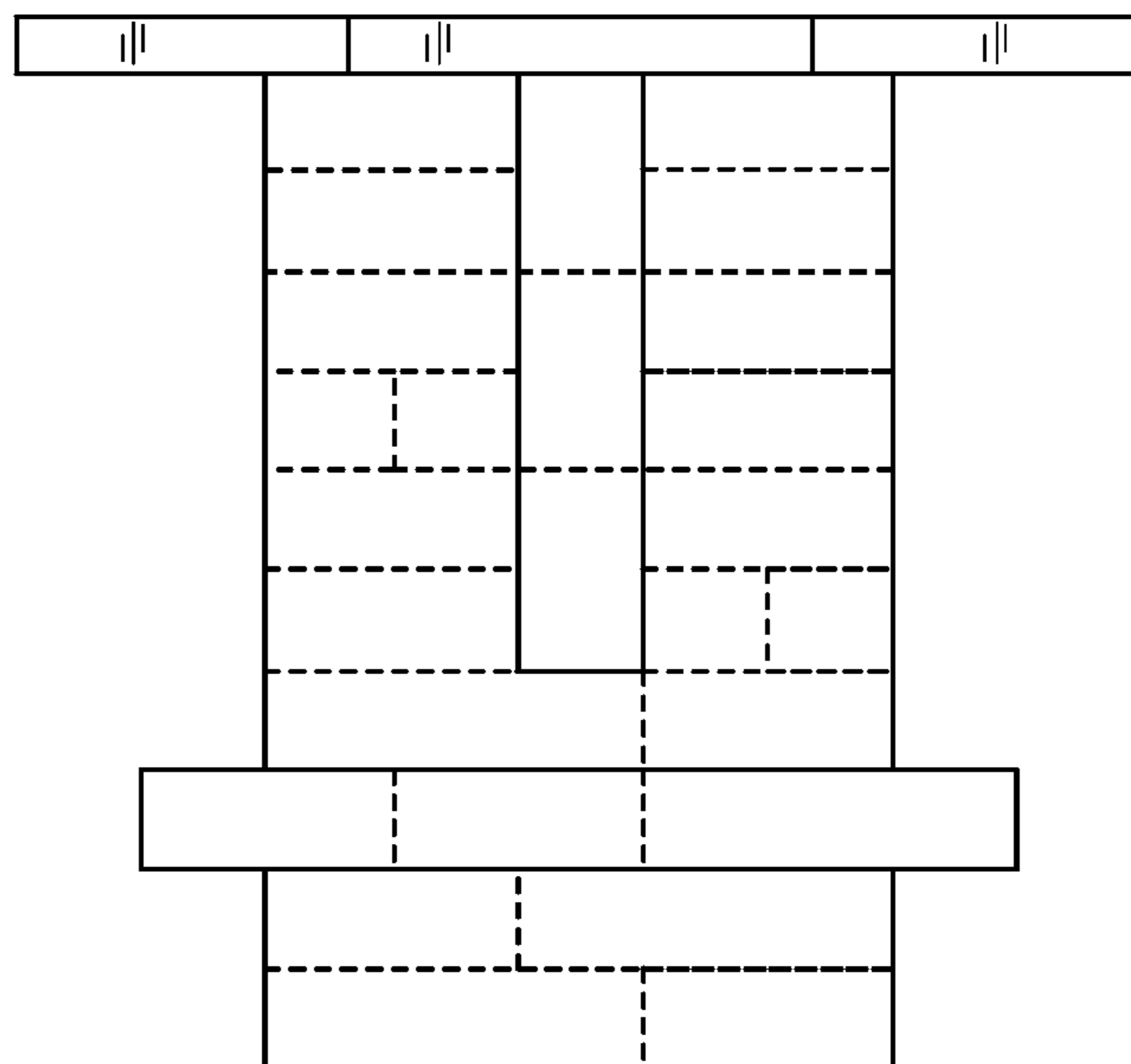


FIG. 7

FIG. 8

