

US00D648154S

(12) **United States Design Patent**
DeMars

(10) **Patent No.:** **US D648,154 S**

(45) **Date of Patent:** **** Nov. 8, 2011**

(54) **PORTABLE BAR**

(75) Inventor: **Robert A. DeMars**, La Quinta, CA (US)

(73) Assignee: **Original Ideas, Inc.**, La Quinta, CA (US)

(**) Term: **14 Years**

(21) Appl. No.: **29/363,444**

(22) Filed: **Jun. 9, 2010**

Related U.S. Application Data

(63) Continuation-in-part of application No. 12/012,139, filed on Jan. 31, 2008, which is a continuation-in-part of application No. 11/436,135, filed on May 18, 2006, now Pat. No. 7,354,120, which is a continuation-in-part of application No. 11/406,716, filed on Apr. 20, 2006, now Pat. No. 7,273,261, which is a continuation-in-part of application No. 11/252,823, filed on Oct. 19, 2005, now Pat. No. 7,101,000, which is a continuation-in-part of application No. 11/101,876, filed on Apr. 9, 2005, now Pat. No. 7,425,046, which is a continuation of application No. 10/866,611, filed on Jun. 14, 2004, now Pat. No. 6,918,640, which is a continuation-in-part of application No. 10/640,803, filed on Aug. 13, 2003, now Pat. No. 6,957,876.

(51) **LOC (9) Cl.** **06-04**

(52) **U.S. Cl.** **D6/481**

(58) **Field of Classification Search** D6/423, D6/425-428, 429-431, 481, 397, 486, 480; 312/140.1, 140.2, 140.3, 194, 195, 238, 239
See application file for complete search history.

(56) **References Cited**

U.S. PATENT DOCUMENTS

D150,194 S *	7/1948	Barrett	D6/436
2,693,401 A *	11/1954	Brown	312/238
2,970,872 A *	2/1961	Ullman, Jr.	108/27
D258,478 S *	3/1981	Zola	D6/481
6,918,640 B2 *	7/2005	DeMars	312/140.2
2007/0007867 A1 *	1/2007	Zheng	312/238

* cited by examiner

Primary Examiner — Janice Seeger

(74) *Attorney, Agent, or Firm* — Cislo & Thomas, LLP

(57) **CLAIM**

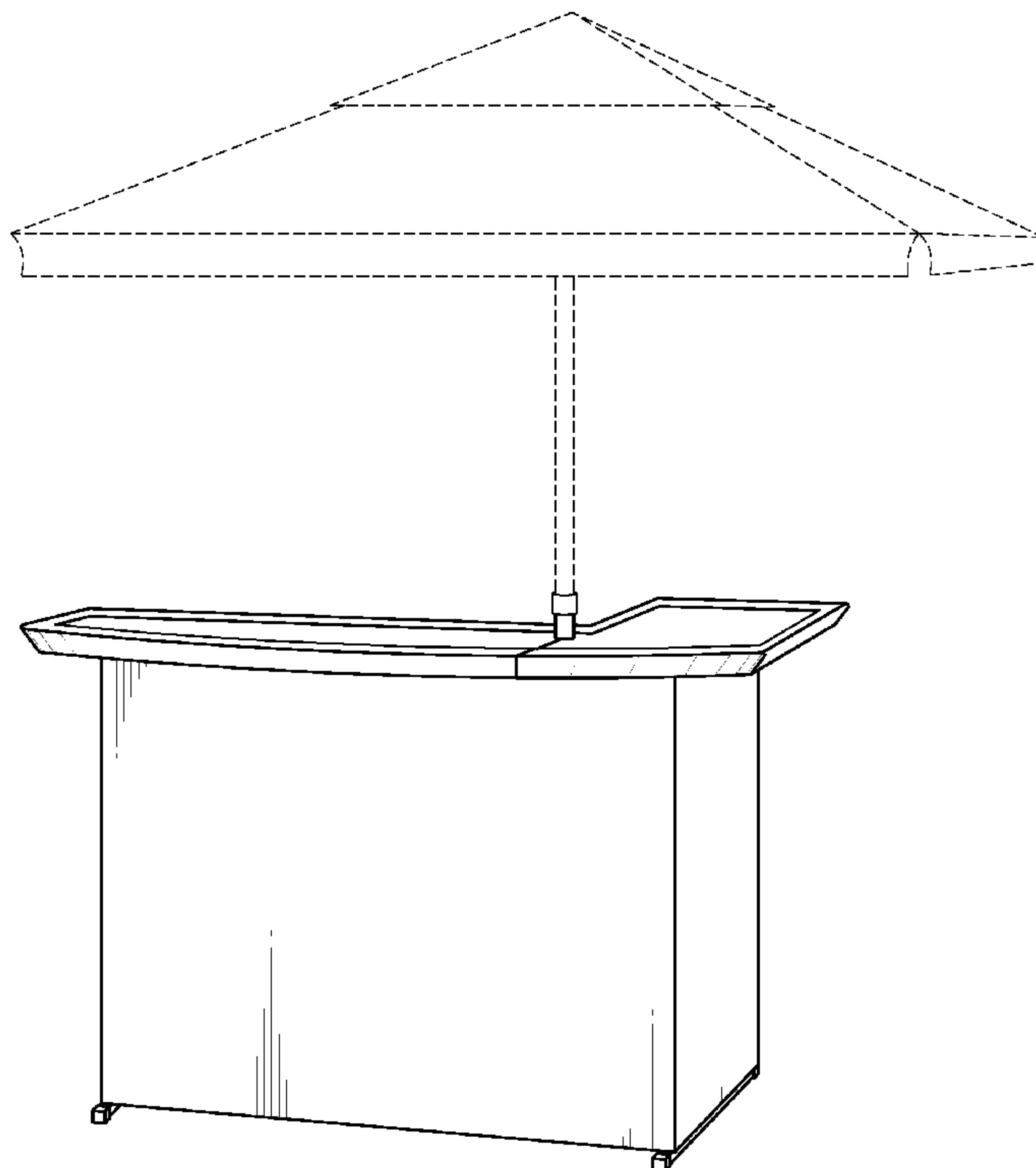
The ornamental design for a portable bar, as shown and described.

DESCRIPTION

FIG. 1 is a front perspective view of my portable bar;
FIG. 2 is a rear perspective view thereof;
FIG. 3 is a rear view thereof;
FIG. 4 is a front view thereof;
FIG. 5 is a right side view thereof;
FIG. 6 is left side view thereof; and,
FIG. 7 is a top view thereof.

The broken lines are for environmental purposes only and form no part of the claimed design.

1 Claim, 7 Drawing Sheets



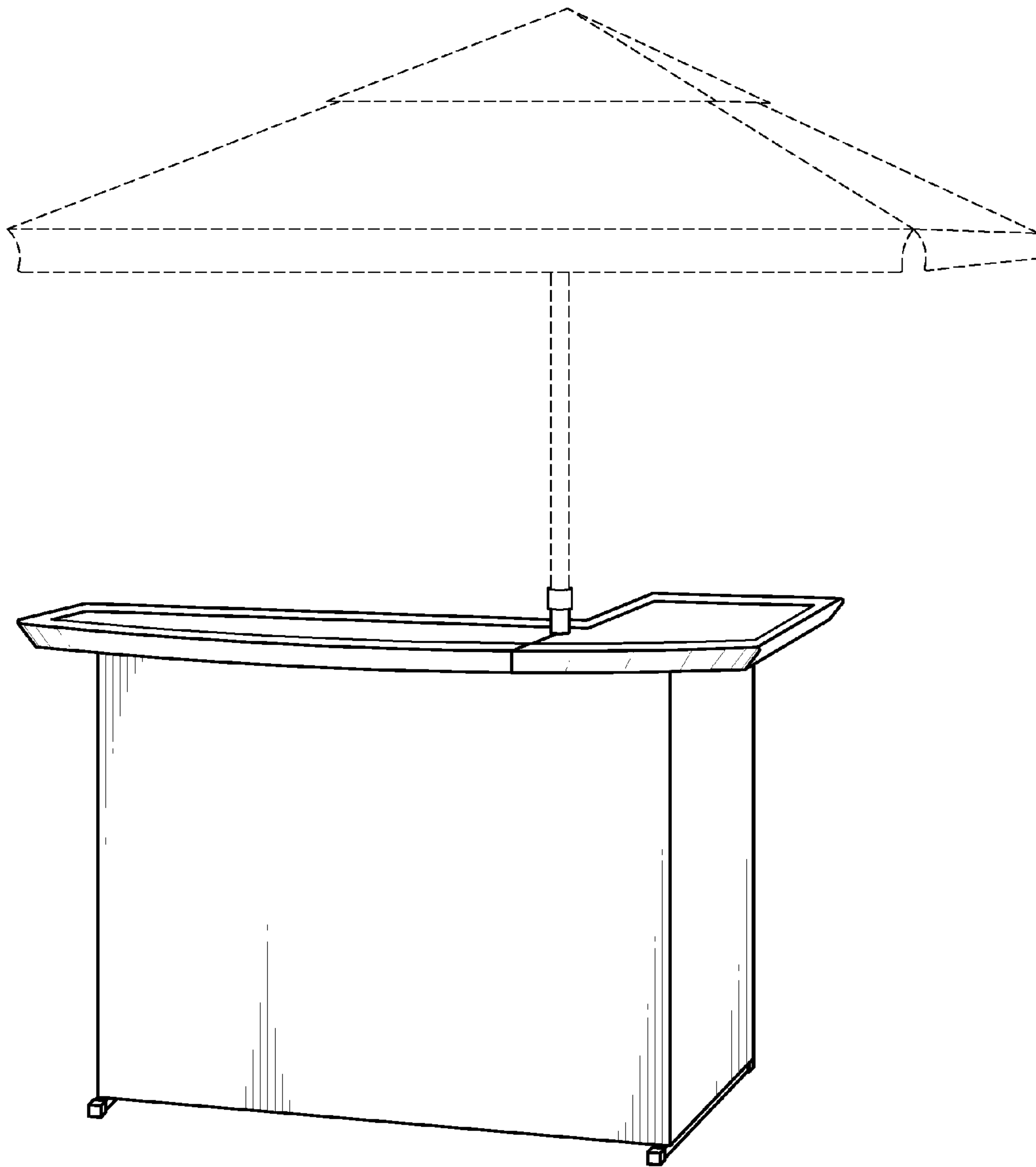


FIG. 1

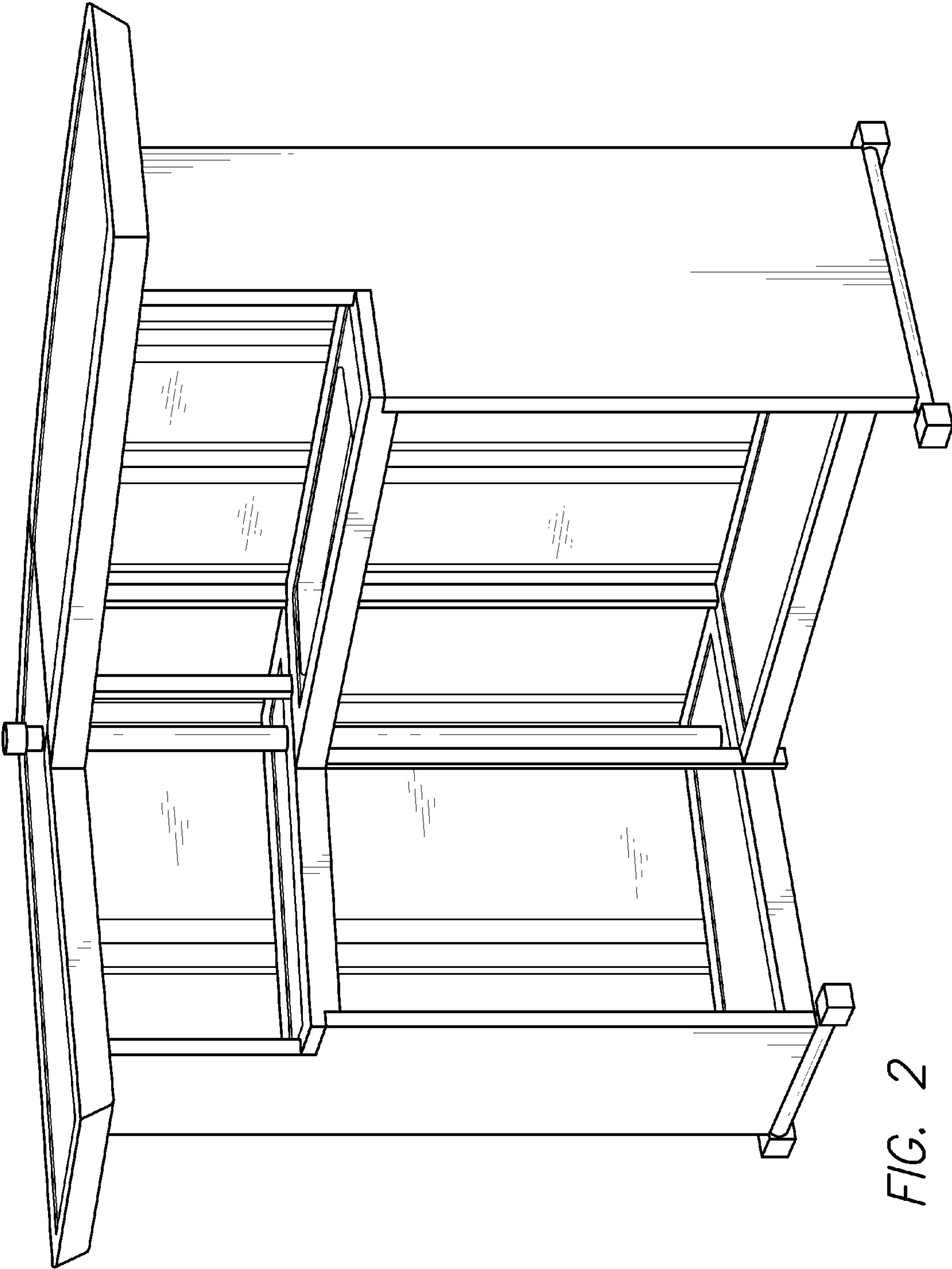
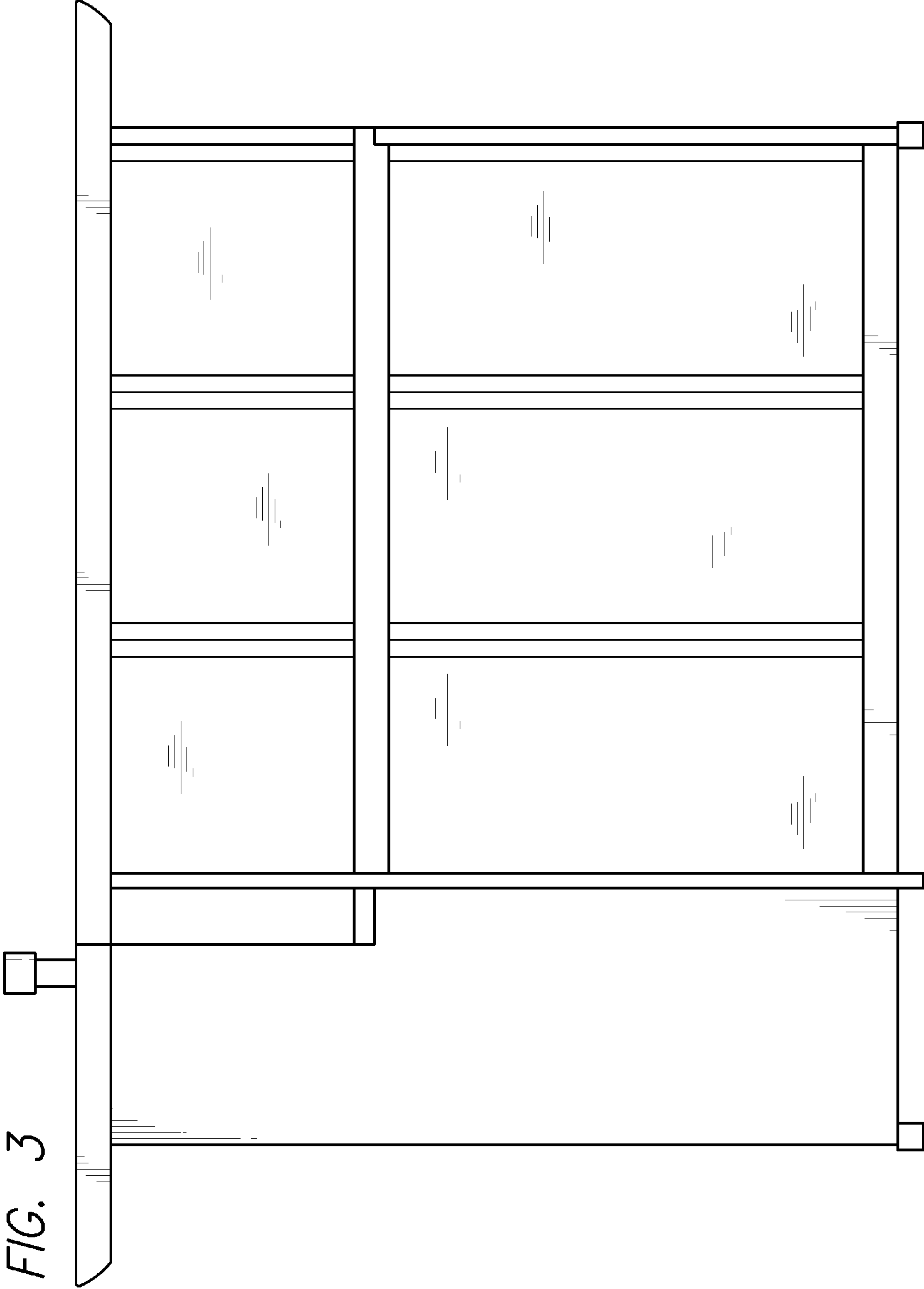
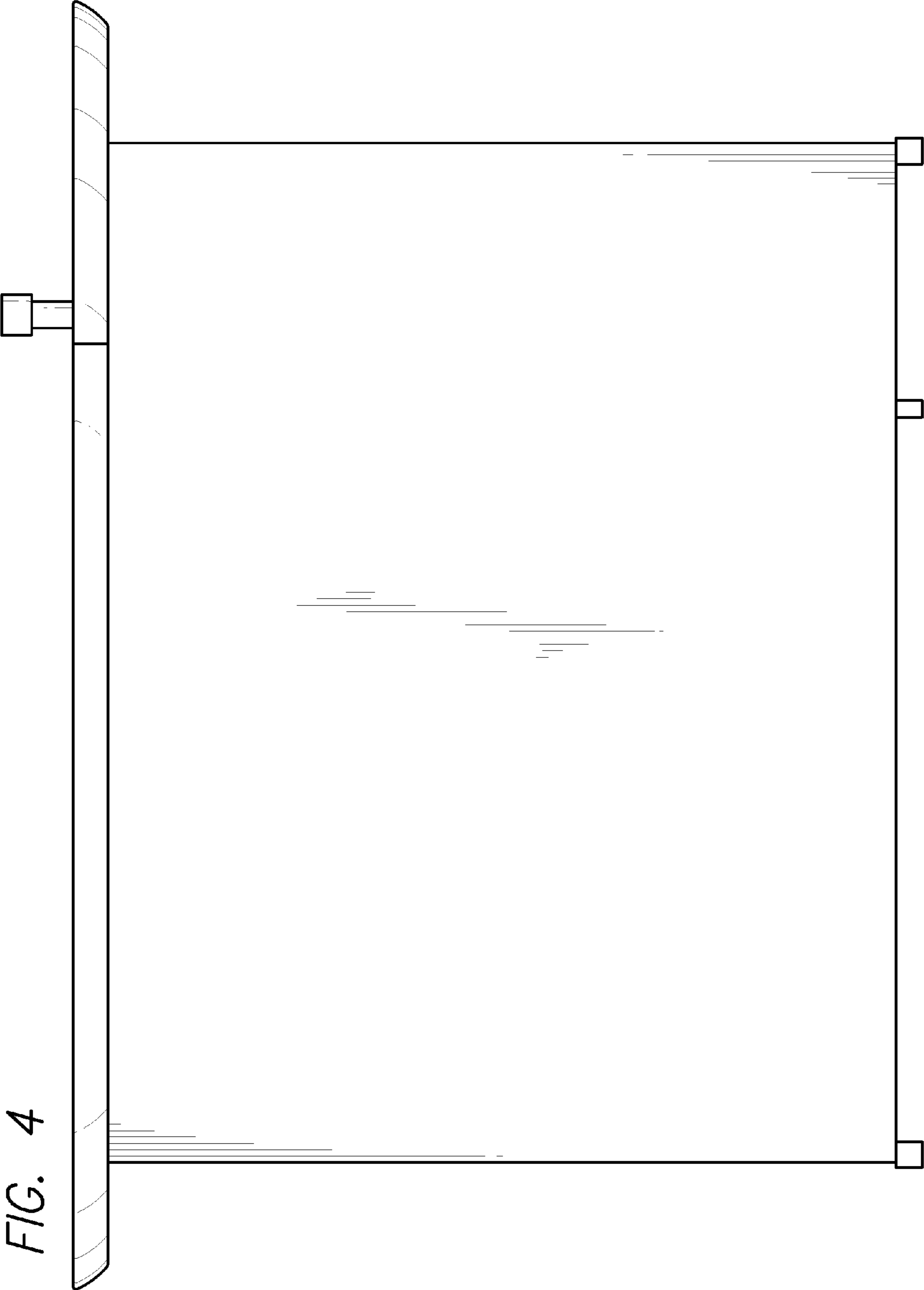


FIG. 2





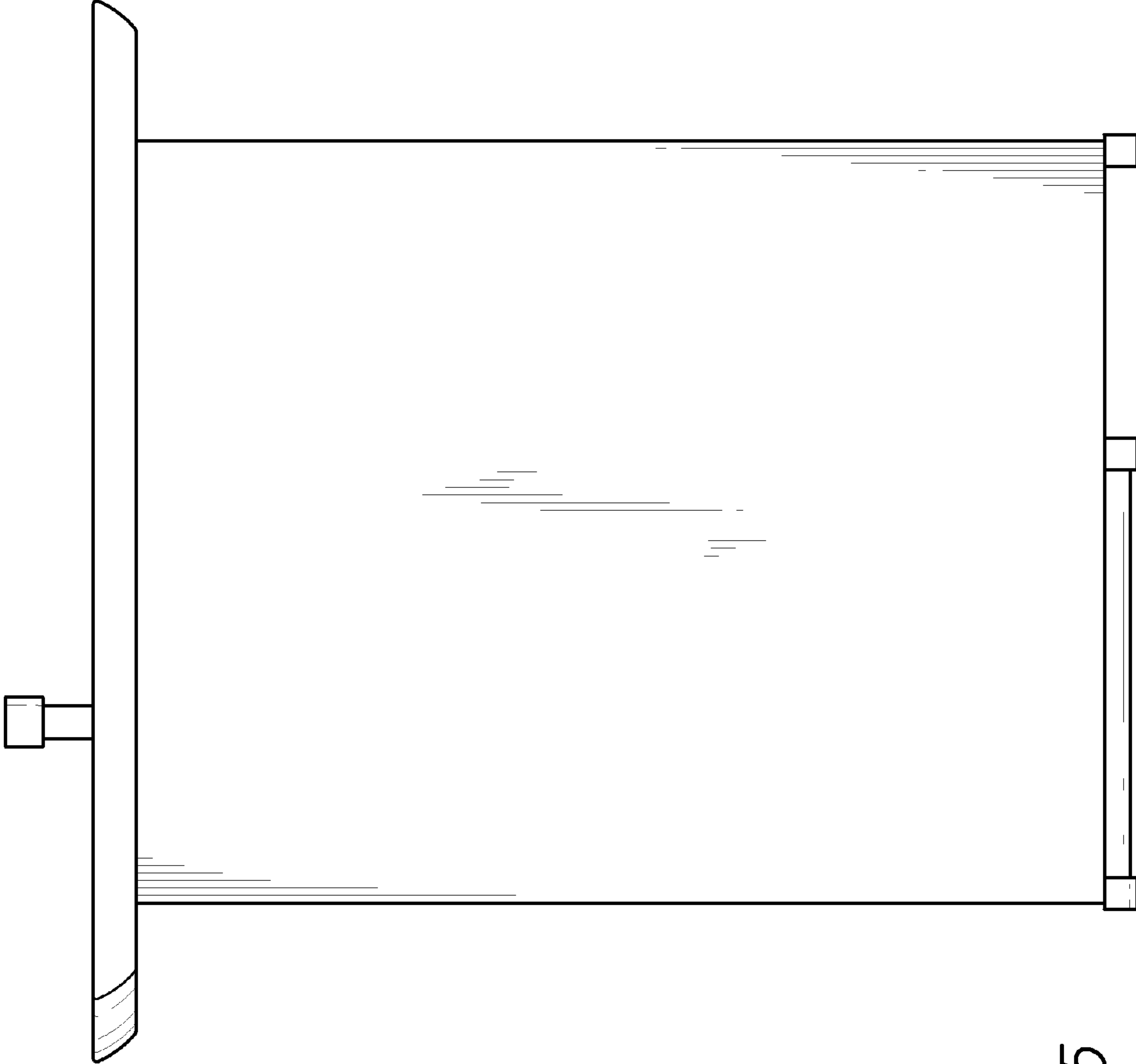


FIG. 5

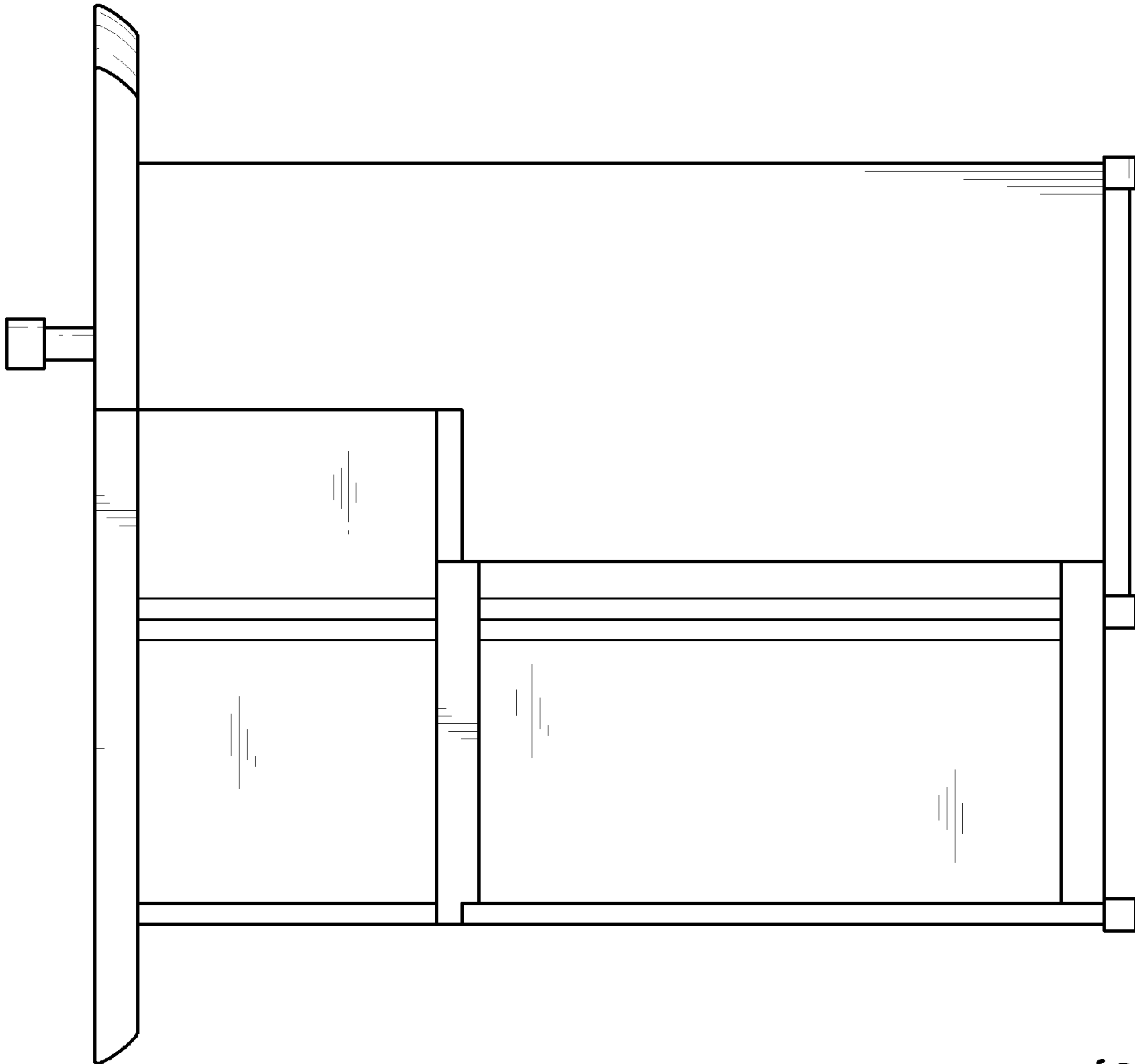


FIG. 6

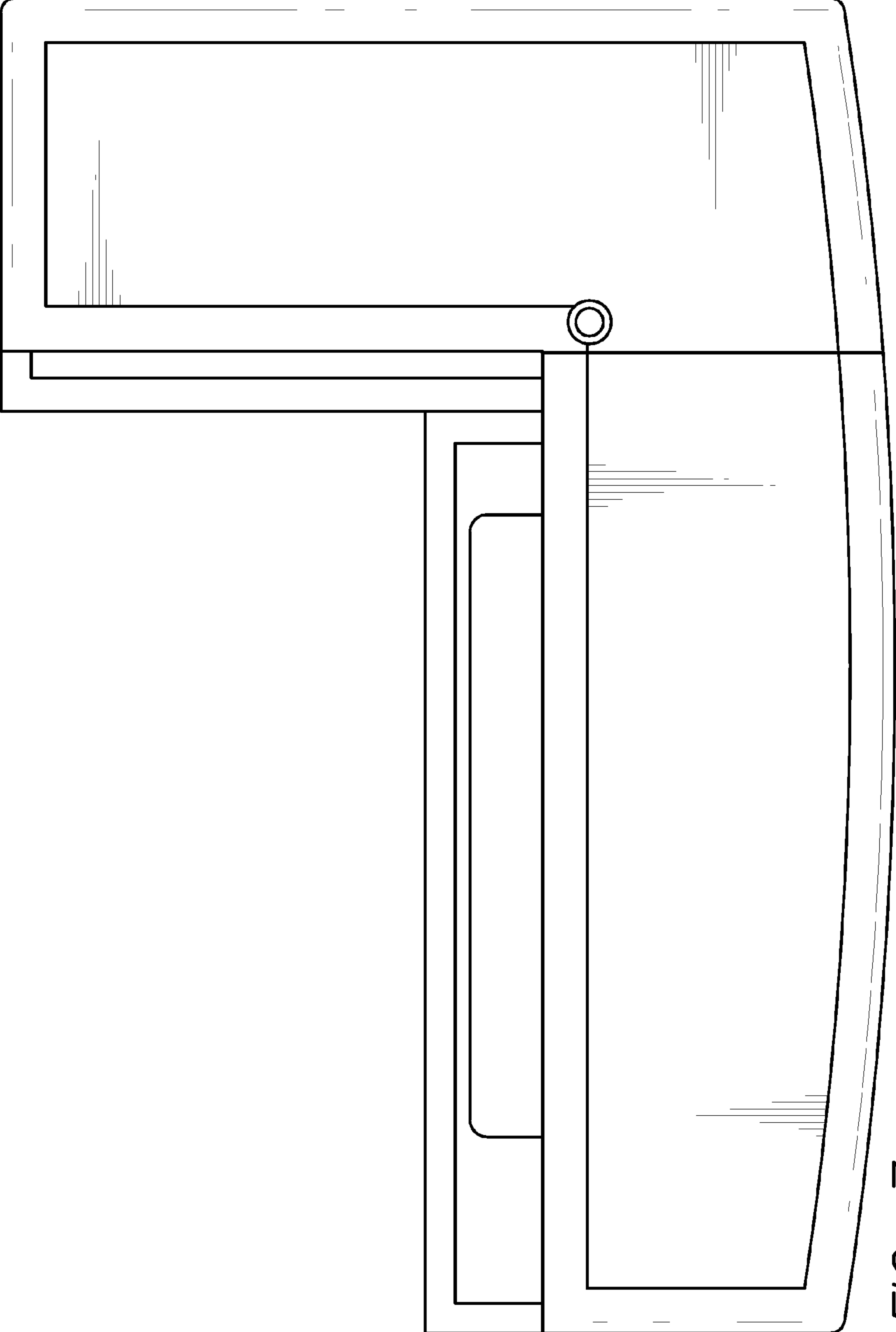


FIG. 7