



US00D648153S

(12) **United States Design Patent**  
**Vignelli et al.**

(10) **Patent No.:** **US D648,153 S**

(45) **Date of Patent:** **\*\* Nov. 8, 2011**

(54) **TABLE**

(75) Inventors: **Lella Vignelli**, New York, NY (US);  
**Massimo Vignelli**, New York, NY (US)

(73) Assignee: **Poltrona Frau S.p.A.**, Turin (IT)

(\*\*) Term: **14 Years**

(21) Appl. No.: **29/347,268**

(22) Filed: **Nov. 17, 2009**

**Related U.S. Application Data**

(63) Continuation of application No. 29/311,500, filed on Apr. 1, 2009, now abandoned.

(30) **Foreign Application Priority Data**

Mar. 3, 2009 (EM) ..... 001097836

(51) **LOC (9) Cl.** ..... **06-03**

(52) **U.S. Cl.** ..... **D6/480**

(58) **Field of Classification Search** ..... D6/480-489,  
D6/511, 495-499, 429-431; 108/150, 152,  
108/153.1, 157.1, 161; 248/188, 188.1, 188.7,  
248/188.8

See application file for complete search history.

(56) **References Cited**

U.S. PATENT DOCUMENTS

D271,354	S	*	11/1983	Lerner et al. ....	D6/480
D278,289	S	*	4/1985	Sottsass et al. ....	D6/487
D332,363	S	*	1/1993	Hollein ....	D6/484
D473,735	S	*	4/2003	Moore ....	D6/487
D499,584	S	*	12/2004	Domack et al. ....	D6/480
D530,542	S	*	10/2006	Rehmert et al. ....	D6/480

\* cited by examiner

*Primary Examiner* — Janice Seeger

(74) *Attorney, Agent, or Firm* — Nixon & Venderhye P.C.

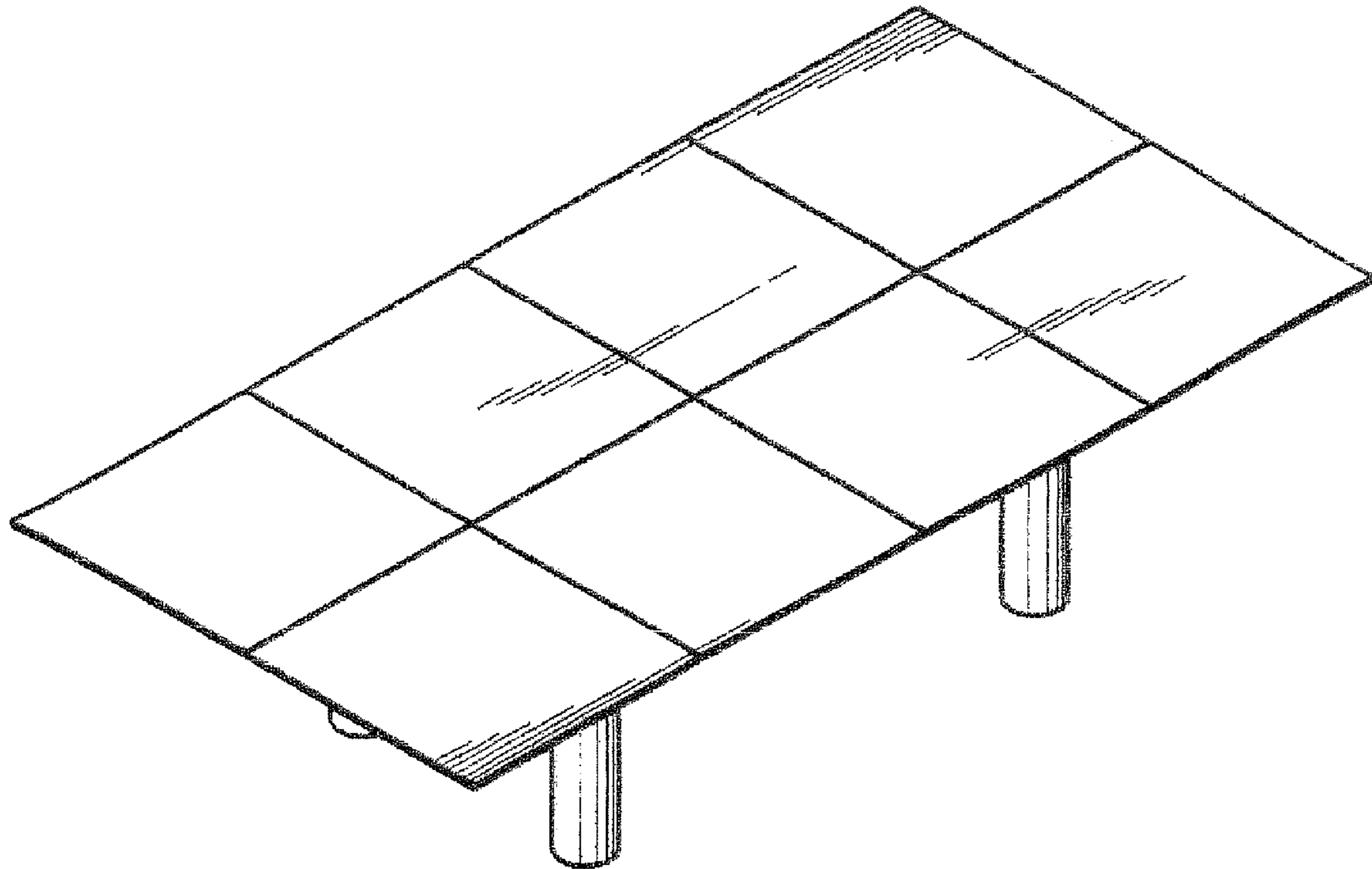
(57) **CLAIM**

The ornamental design for a table, as shown and described.

**DESCRIPTION**

FIG. 1 is a front elevational view of a table;  
FIG. 2 is a rear elevational view thereof;  
FIG. 3 is a left elevational view thereof;  
FIG. 4 is a right elevational view thereof;  
FIG. 5 is a top plan view thereof; and,  
FIG. 6 is a front, top, left perspective view thereof.  
The bottom not shown forms no part of the claimed design.

**1 Claim, 6 Drawing Sheets**



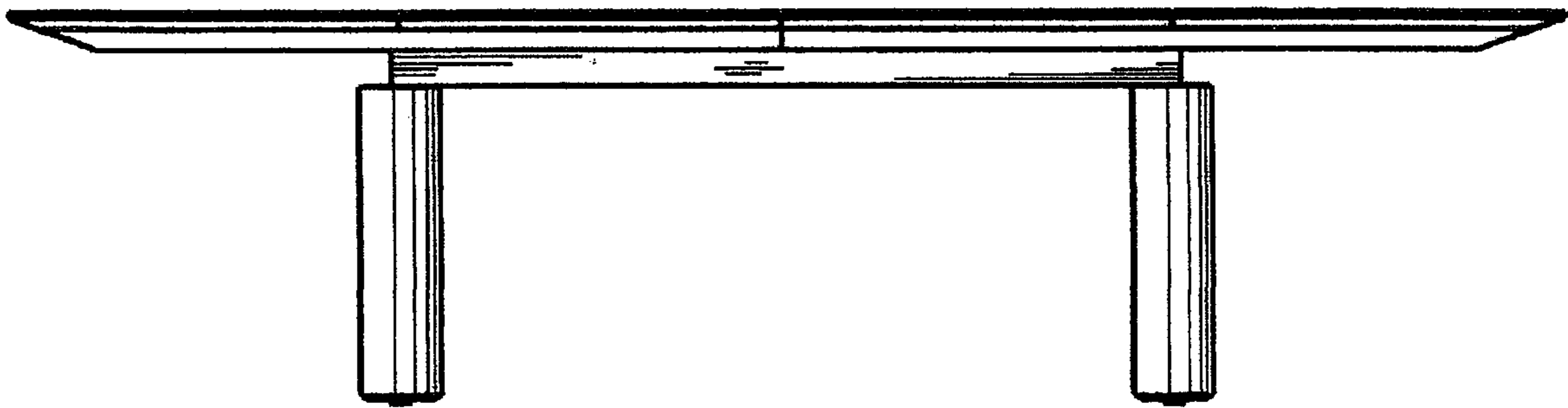


FIG. 1

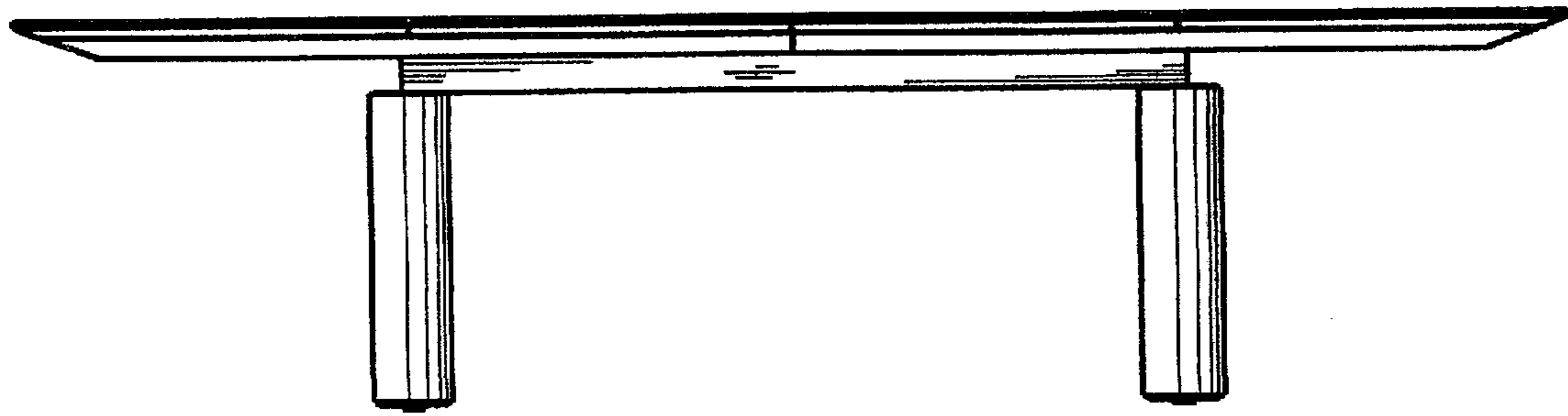


FIG. 2

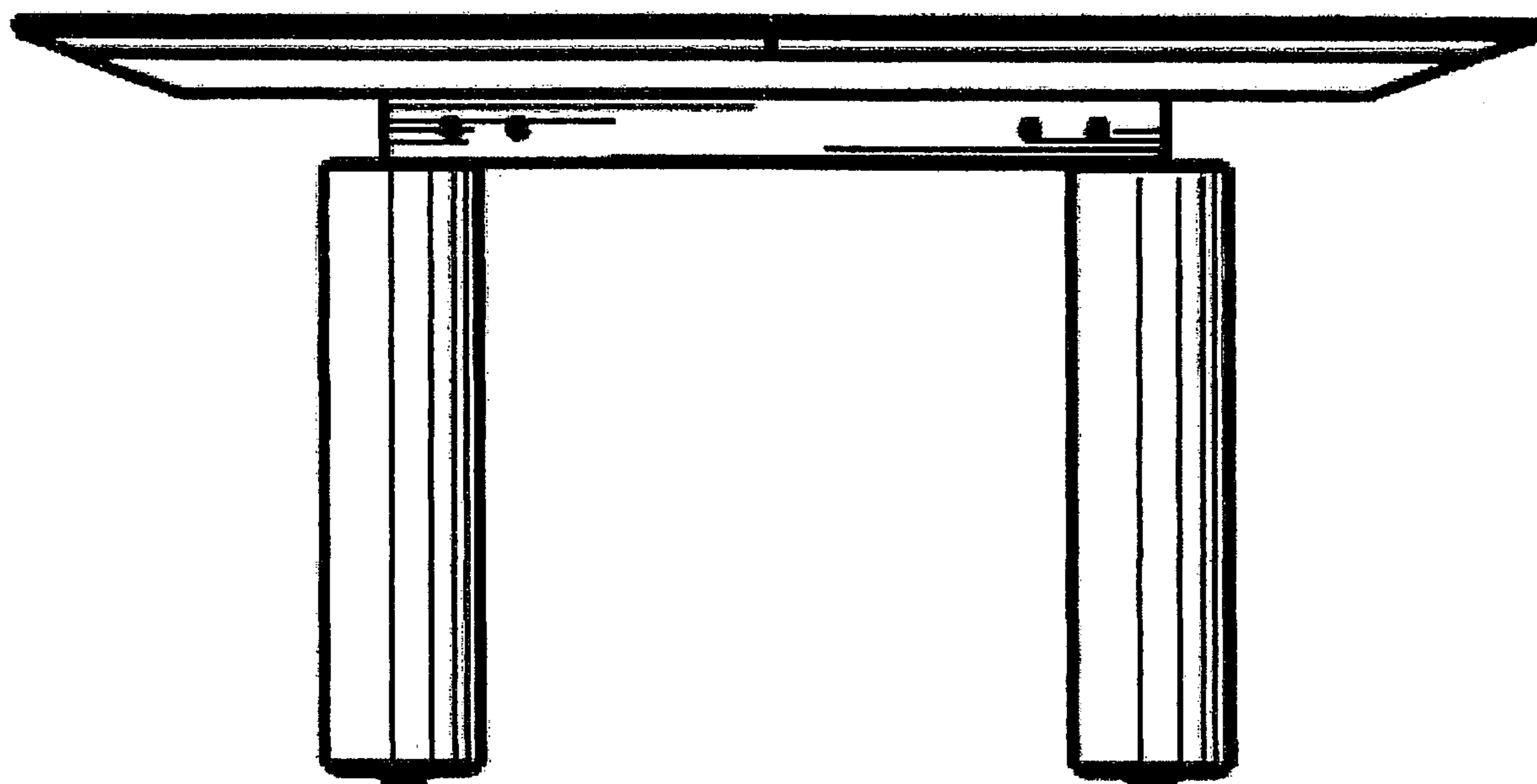


FIG. 3

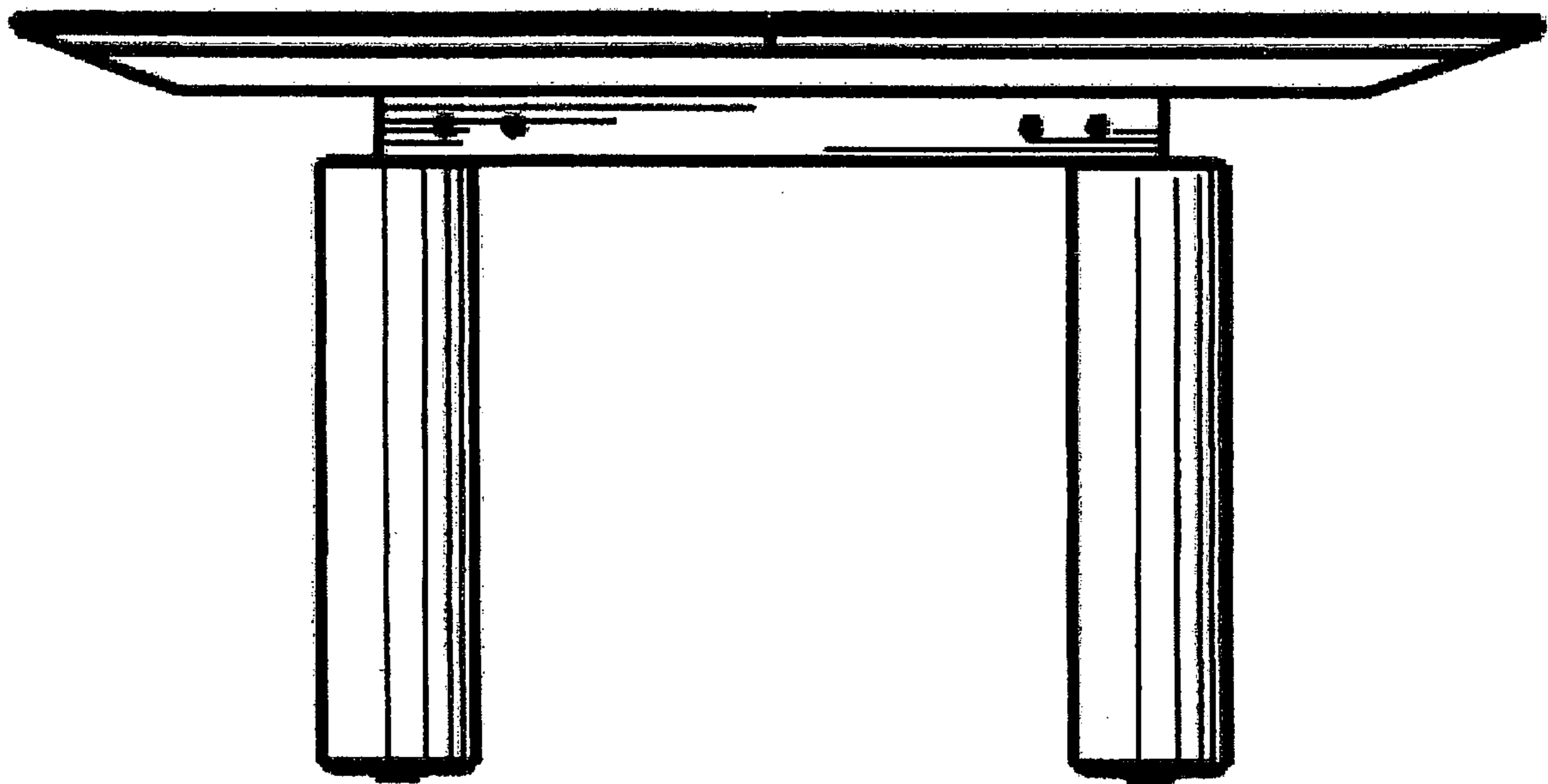


FIG. 4

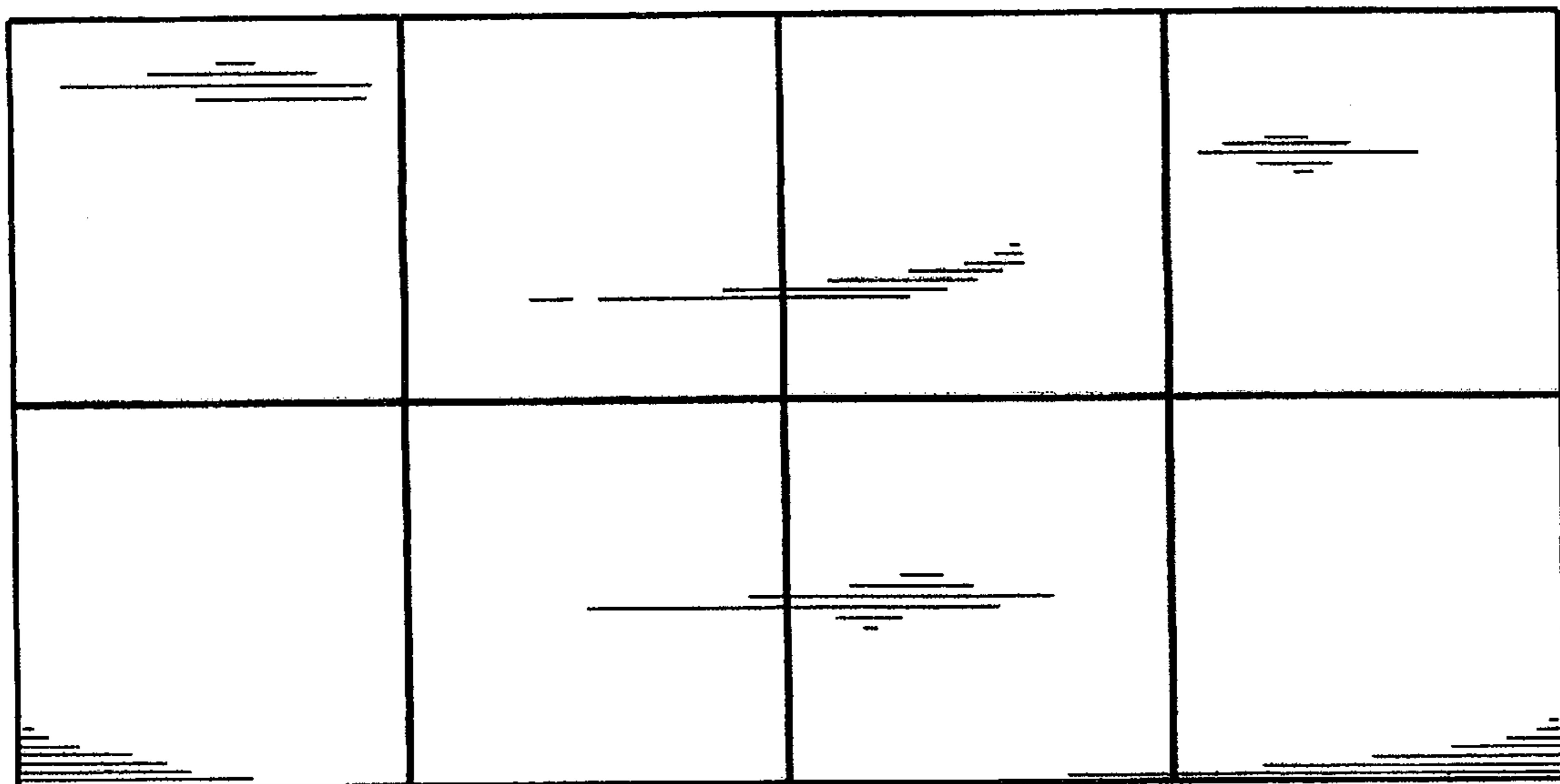


FIG.5

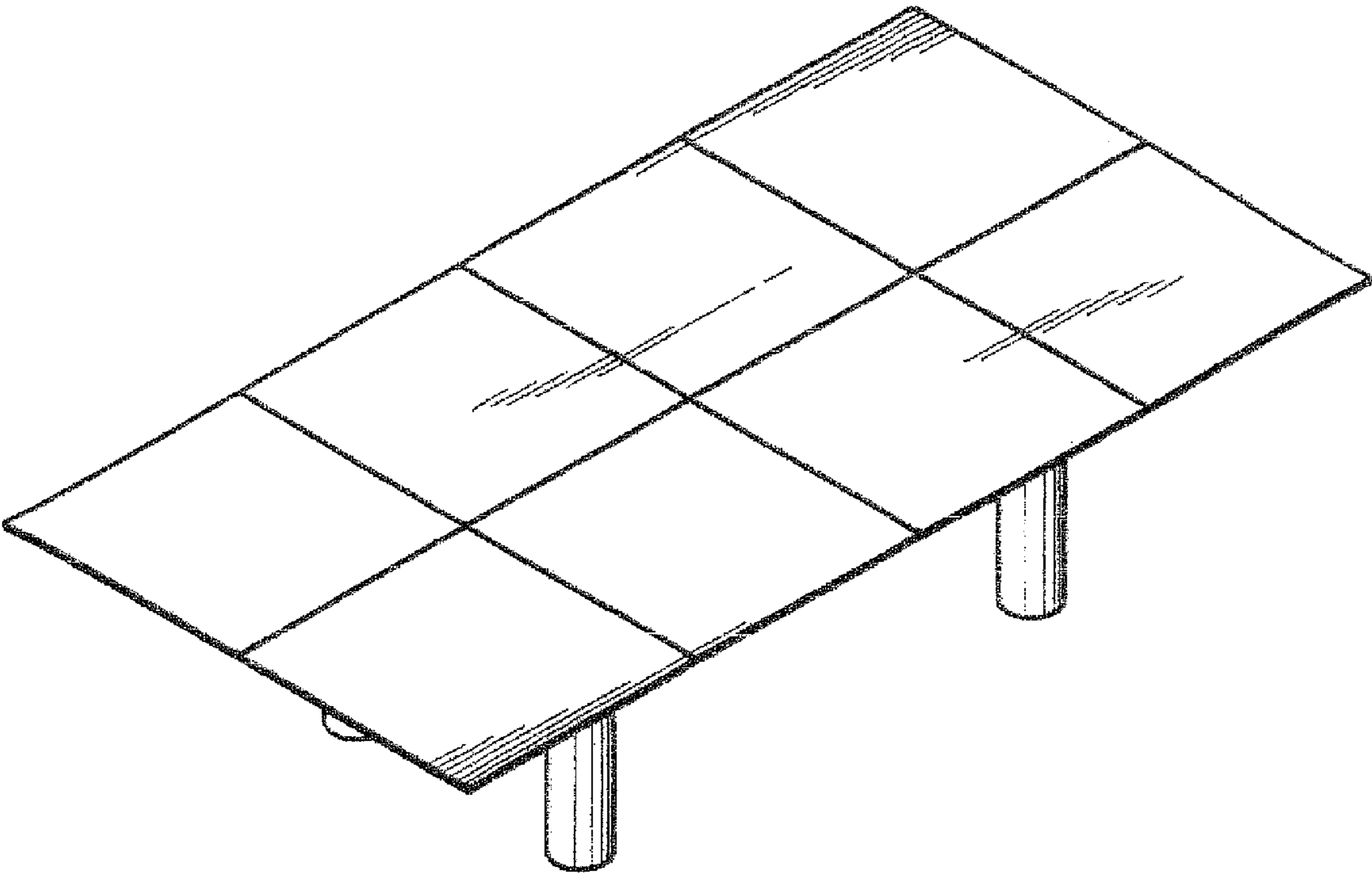


FIG.6