



US00D648149S

(12) **United States Design Patent**  
**Cox**

(10) **Patent No.:** **US D648,149 S**

(45) **Date of Patent:** **\*\* Nov. 8, 2011**

(54) **CHAIR**

(75) Inventor: **Lewis Dorsey Cox**, Leeds, AL (US)

(73) Assignee: **Artco-Bell Corporation**, Temple, TX (US)

(\*\*) Term: **14 Years**

(21) Appl. No.: **29/349,341**

(22) Filed: **Mar. 25, 2010**

(51) **LOC (9) Cl.** ..... **06-01**

(52) **U.S. Cl.** ..... **D6/373**

(58) **Field of Classification Search** ..... D6/334-336,  
D6/371, 372, 373, 374, 375, 376, 379, 380,  
D6/500-502; 297/183.7, 239, 445.1, 447.1,  
297/447.3, 448.1, 448.2, 451.7, 452.29

See application file for complete search history.

(56) **References Cited**

**U.S. PATENT DOCUMENTS**

RE26,071 E	8/1966	Rowland	
D378,553 S *	3/1997	Newhouse	D6/373
D390,024 S	2/1998	DeJule	
D405,285 S	2/1999	Balderi et al.	
D410,801 S	6/1999	Holbrook	
D433,578 S	11/2000	Saul	
6,957,860 B1 *	10/2005	Leist et al.	297/239
D516,830 S *	3/2006	Leist et al.	D6/373
D549,479 S *	8/2007	Su	D6/373
D606,771 S *	12/2009	Chadwick	D6/373

**OTHER PUBLICATIONS**

Highmark brochure for "quickstacker®".  
KI (UK) Ltd. brochure for "Maestro®".  
SitOnIt Seating brochure for "OnCall®", 2004.  
Stylex brochure for "Vibe".  
KI (UK) Ltd. Assembly Instructions for Maestro® Tablet Arm Chair, Jul. 2005.

\* cited by examiner

*Primary Examiner* — Mimoso De

(74) *Attorney, Agent, or Firm* — McDermott Will & Emery LLP

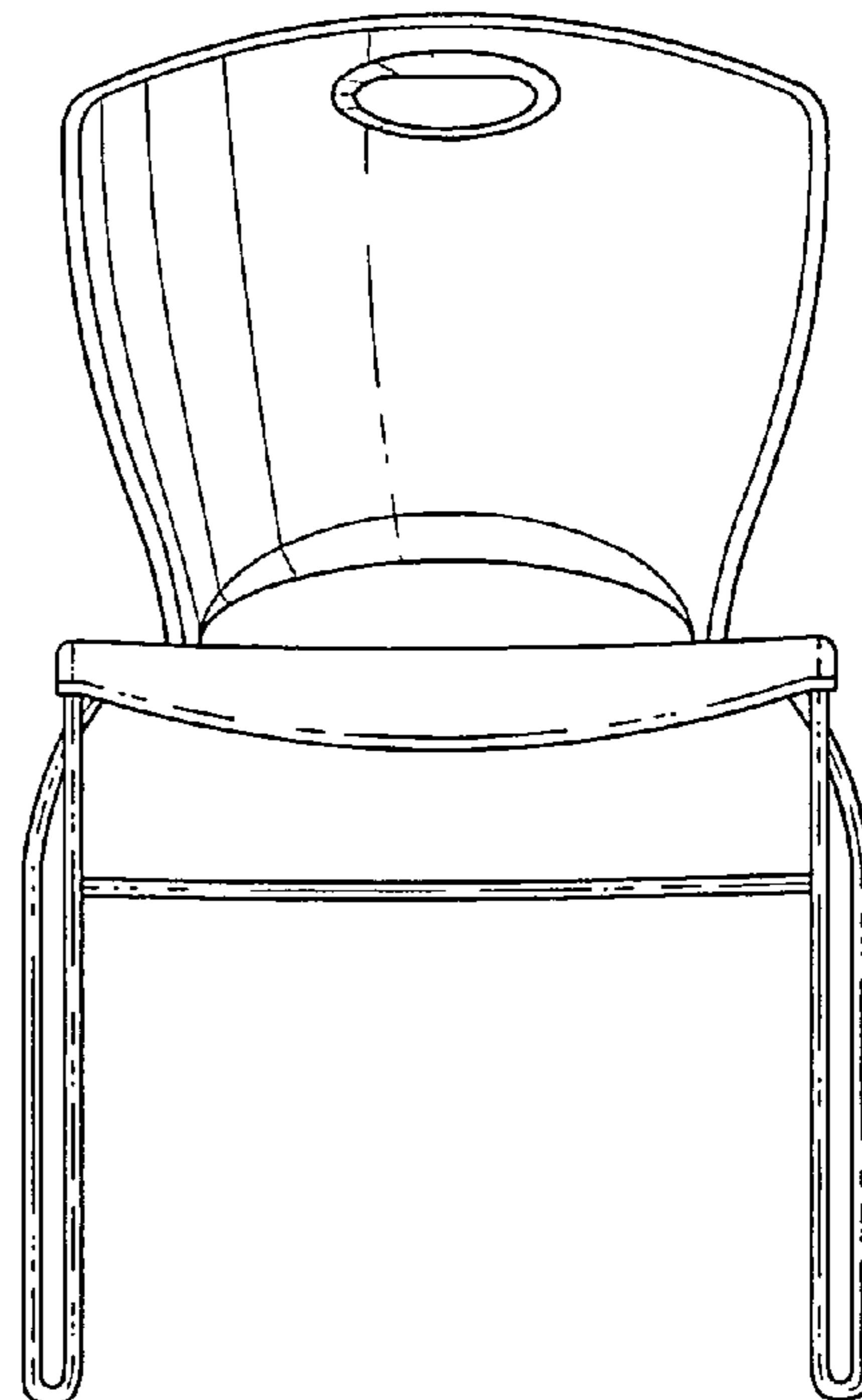
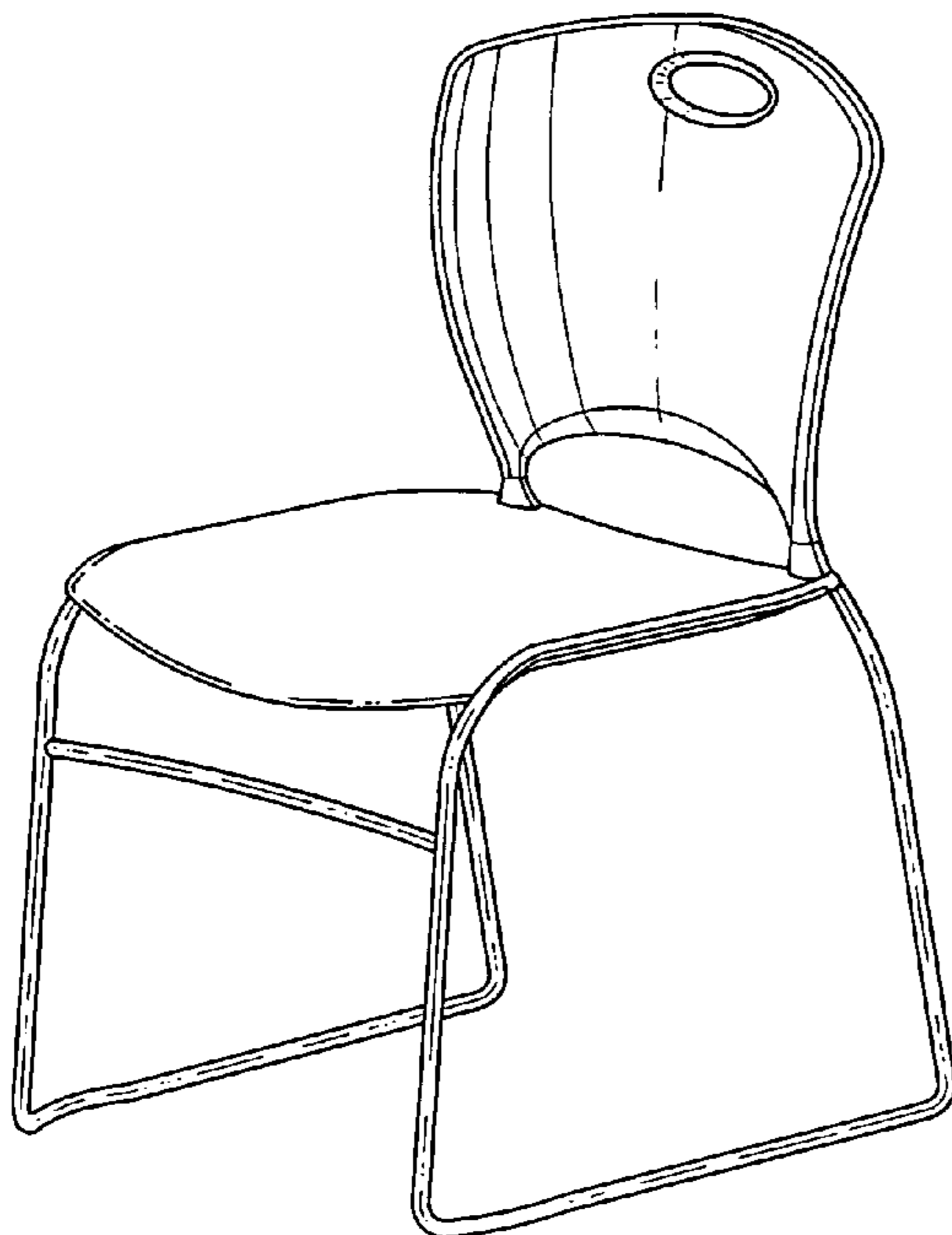
(57) **CLAIM**

I claim the ornamental design for a chair, as shown and described.

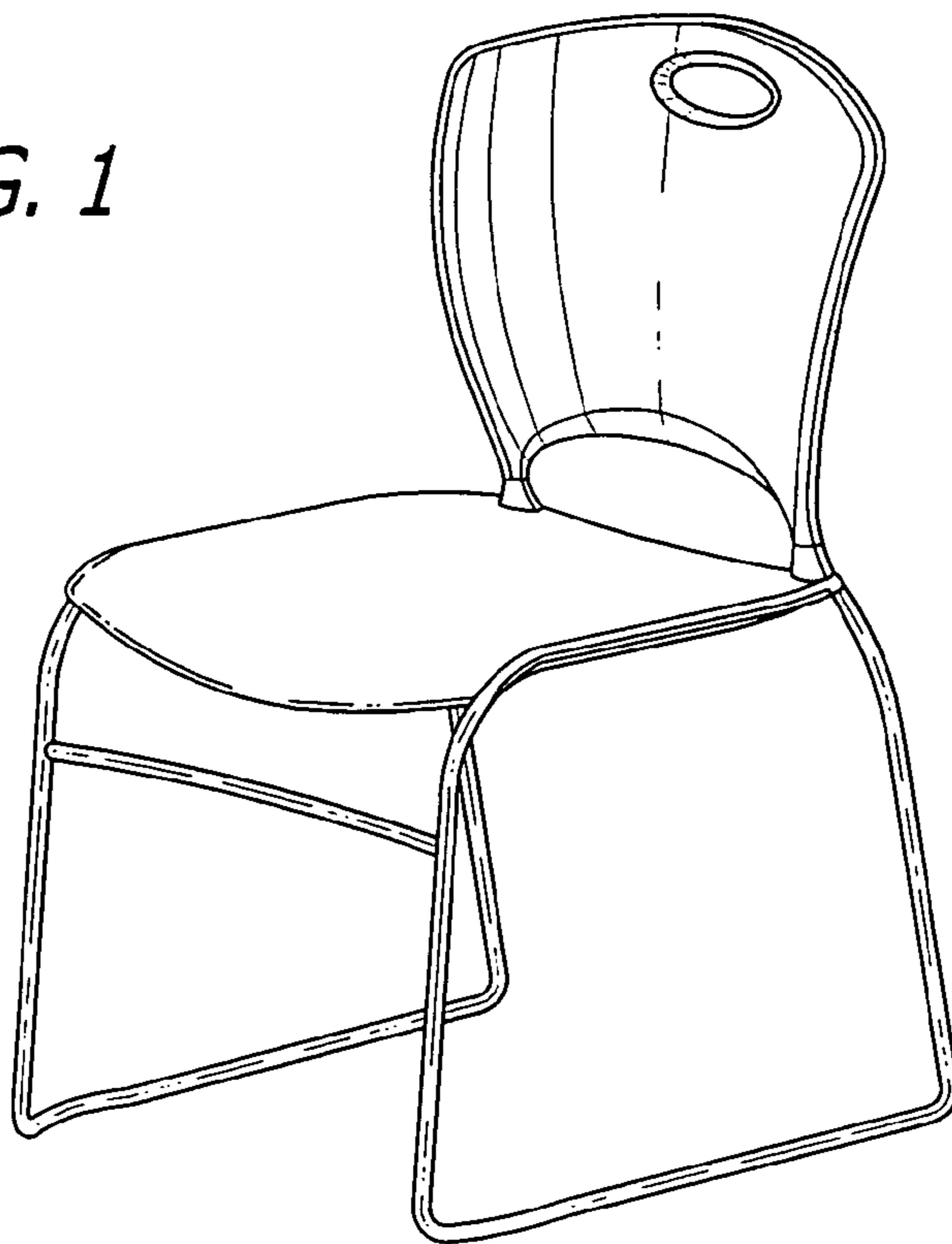
**DESCRIPTION**

FIG. 1 is a perspective view of a chair according to the new design;  
FIG. 2 is a left side view of the chair shown in FIG. 1, the opposed right side view being a minor image thereof;  
FIG. 3 is a front view of the chair shown in FIG. 1;  
FIG. 4 is a back view of the chair shown in FIG. 1;  
FIG. 5 is a top view of the chair shown in FIG. 1; and,  
FIG. 6 is a bottom view of the chair shown in FIG. 1.

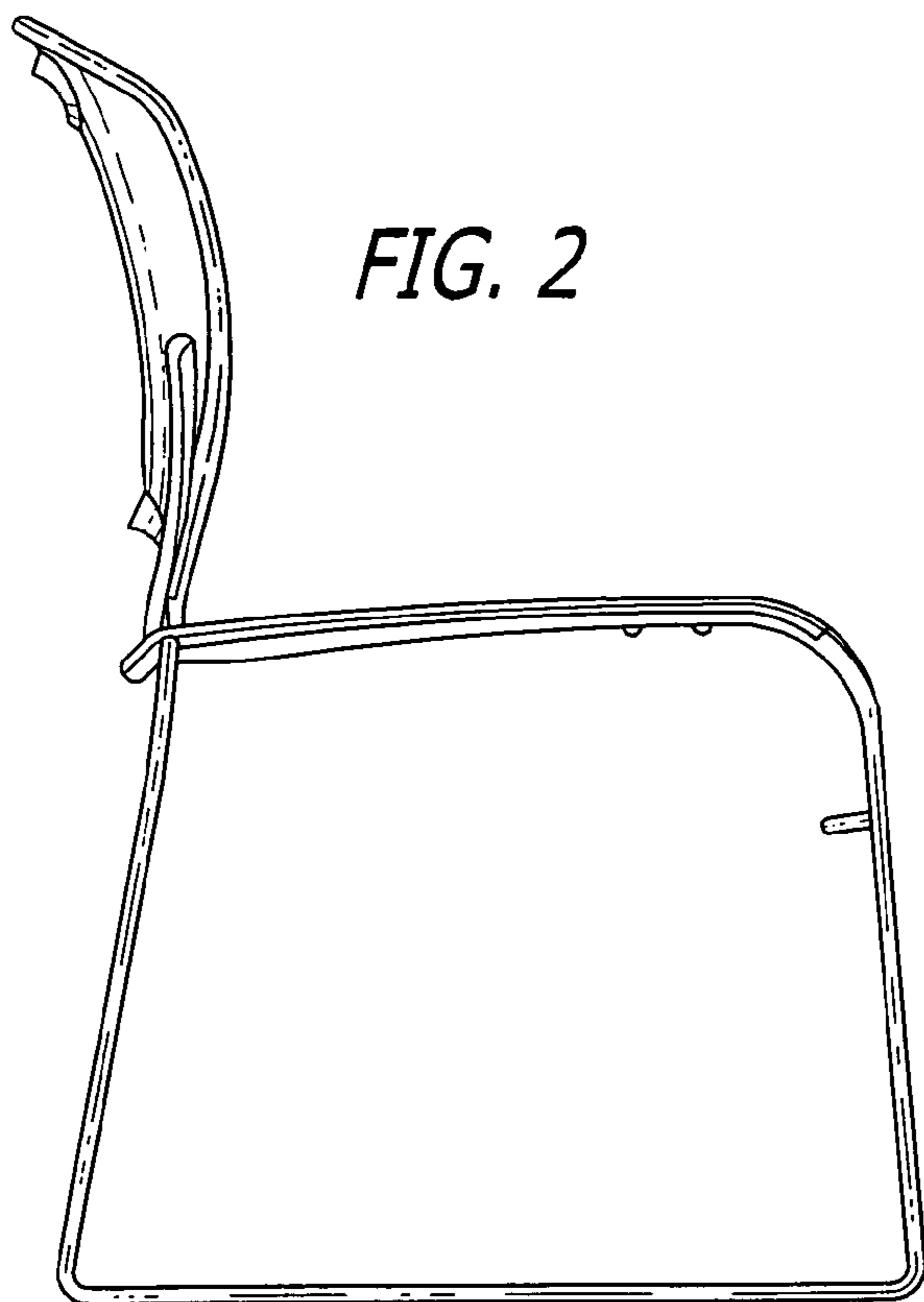
**1 Claim, 3 Drawing Sheets**

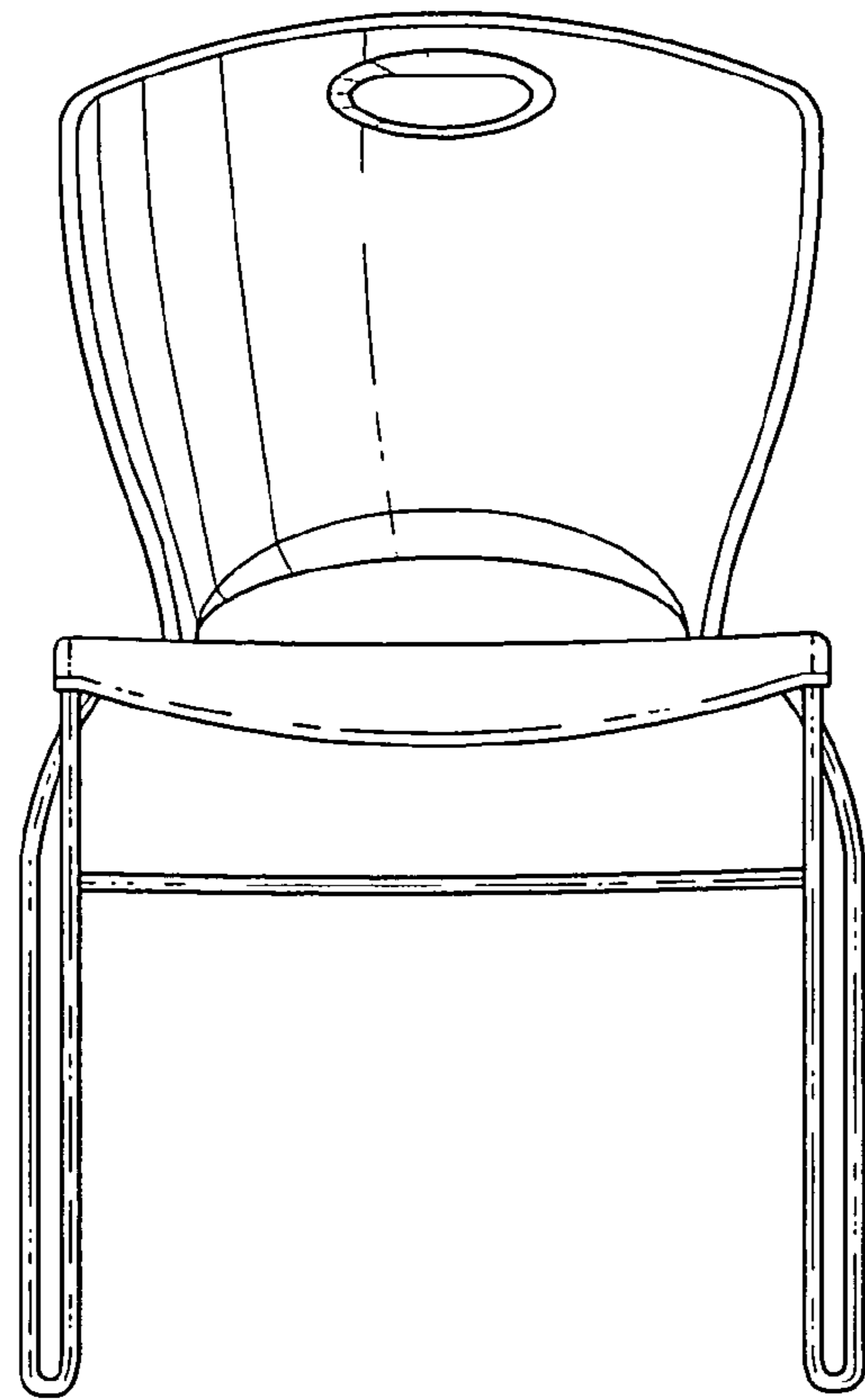


*FIG. 1*

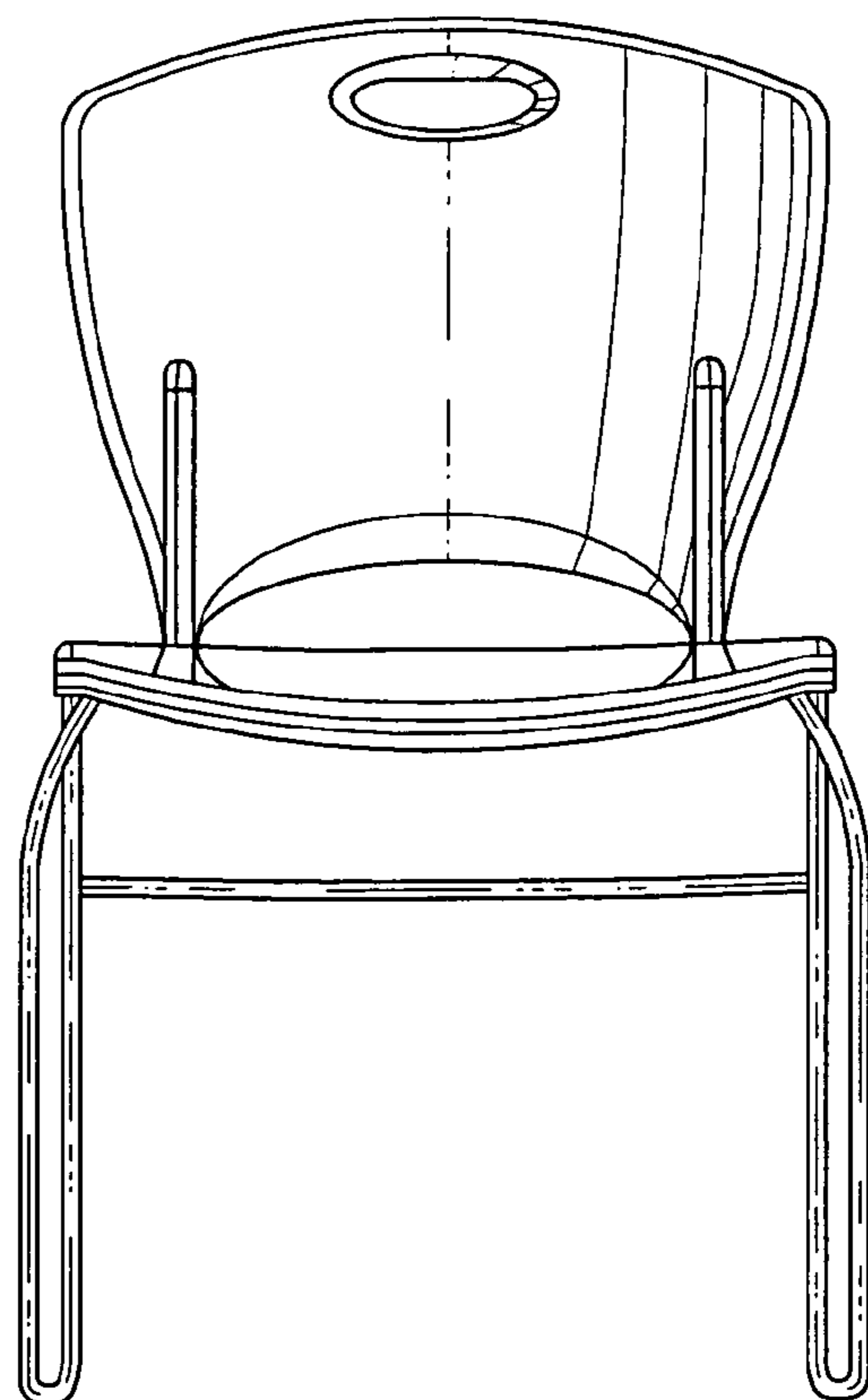


*FIG. 2*



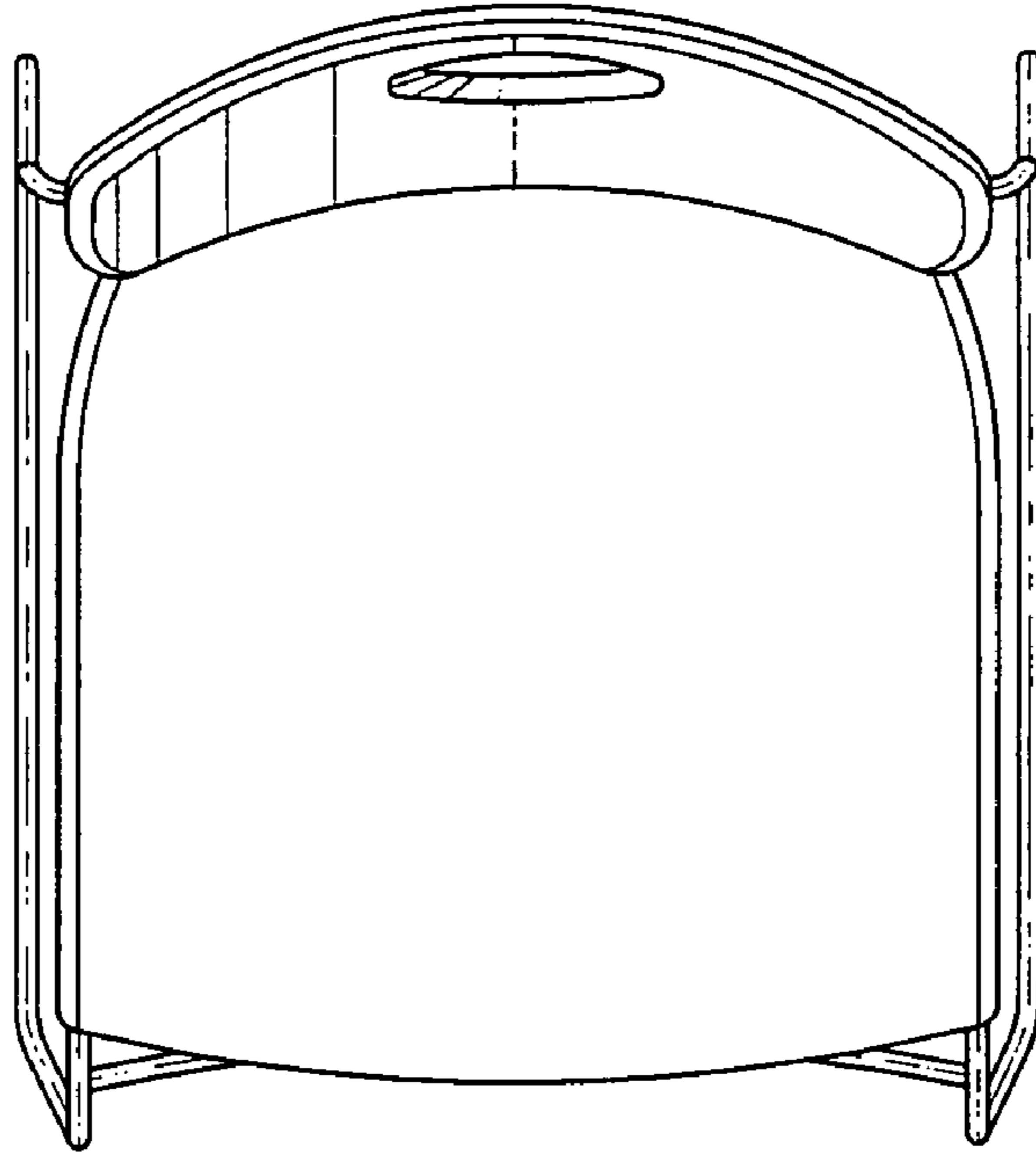


*FIG. 3*



*FIG. 4*

*FIG. 5*



*FIG. 6*

