



US00D648148S

(12) **United States Design Patent**
Henry

(10) **Patent No.:** **US D648,148 S**
(45) **Date of Patent:** **** Nov. 8, 2011**

(54) **FOLDABLE ROLLING CHAIR WITH COVER**

(76) Inventor: **Carolyn Henry**, Camas, WA (US)

(**) Term: **14 Years**

(21) Appl. No.: **29/354,837**

(22) Filed: **Jan. 29, 2010**

(51) **LOC (9) Cl.** **06-01**

(52) **U.S. Cl.** **D6/368**

(58) **Field of Classification Search** D6/334–336,
D6/361, 367, 368, 371–374, 375, 379, 380,
D6/500–502; 297/16.1, 35, 37, 39, 40, 184.11,
297/184.15, 188.14

See application file for complete search history.

(56) **References Cited**

U.S. PATENT DOCUMENTS

4,201,416	A *	5/1980	Vanderminden	297/184.15
4,230,363	A *	10/1980	Borichevsky	297/184.15
5,135,281	A *	8/1992	Pappalardo	297/184.15
D490,251	S *	5/2004	Lin	D6/336
D494,769	S *	8/2004	Vigneaud	D6/368
D571,113	S *	6/2008	Cohen	D6/368

OTHER PUBLICATIONS

Online catalog photograph of CombiStroller™, author unknown, publication date unknown but at least prior to Dec. 1, 2008.

* cited by examiner

Primary Examiner — Mimoso De

(74) *Attorney, Agent, or Firm* — Rylander & Associates PC; Kurt M. Rylander; Mark E. Beatty

(57) **CLAIM**

The ornamental design for a foldable rolling chair with cover, as shown and described.

DESCRIPTION

FIG. 1 is a left-side view of a foldable rolling chair with cover showing my new design. The right-side view is an identical mirror-image and is therefore not shown.

FIG. 2 is a rear view thereof.

FIG. 3 is a front view thereof.

FIG. 4 is a bottom view thereof.

FIG. 5 is an overhead plan view thereof; and,

FIG. 6 is a front right perspective view thereof.

The broken line showing a cooler stowed on the under-shelf is included for the purpose of illustrating environment and forms no part of the claimed design.

1 Claim, 5 Drawing Sheets

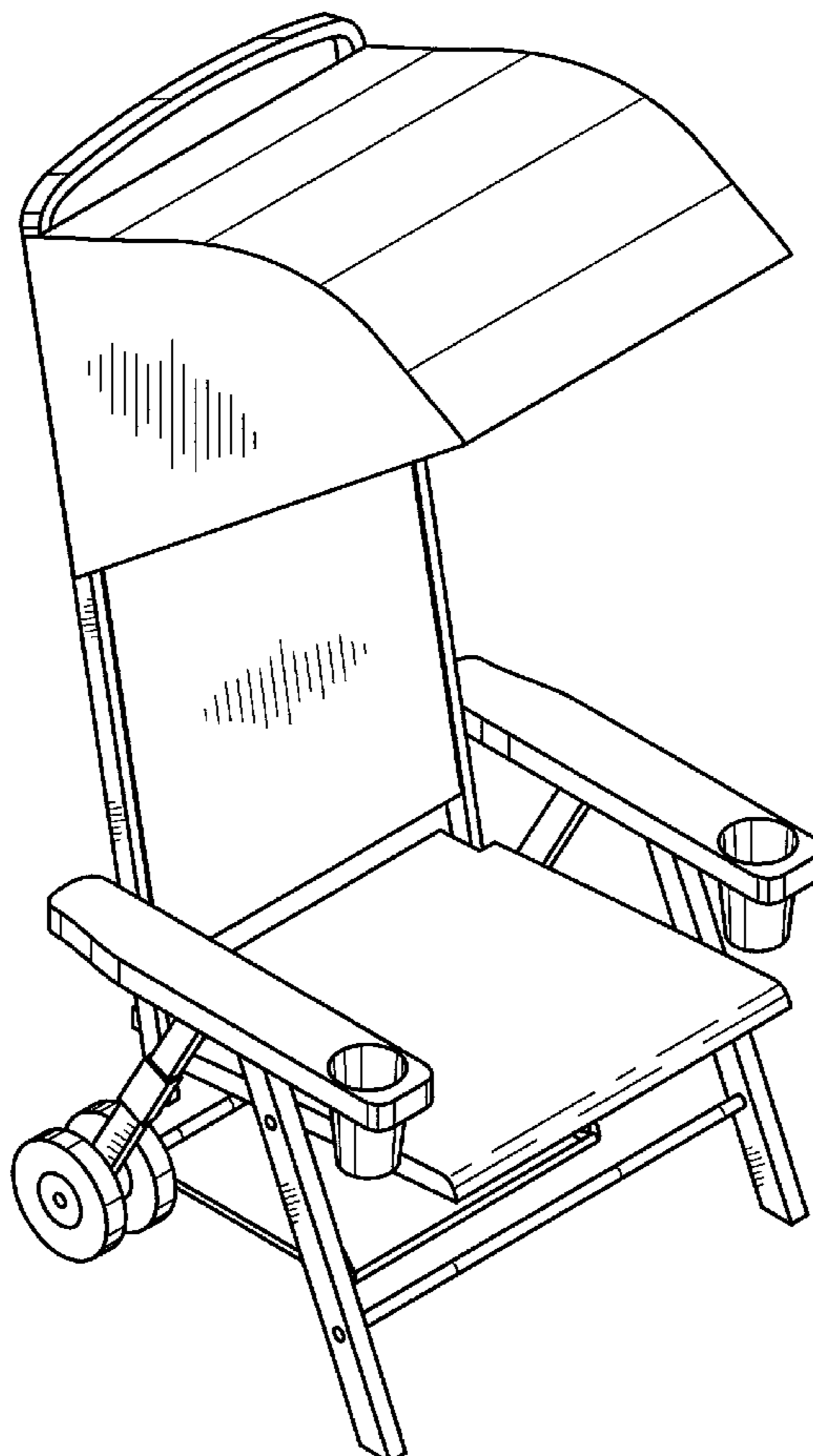


Fig. 1

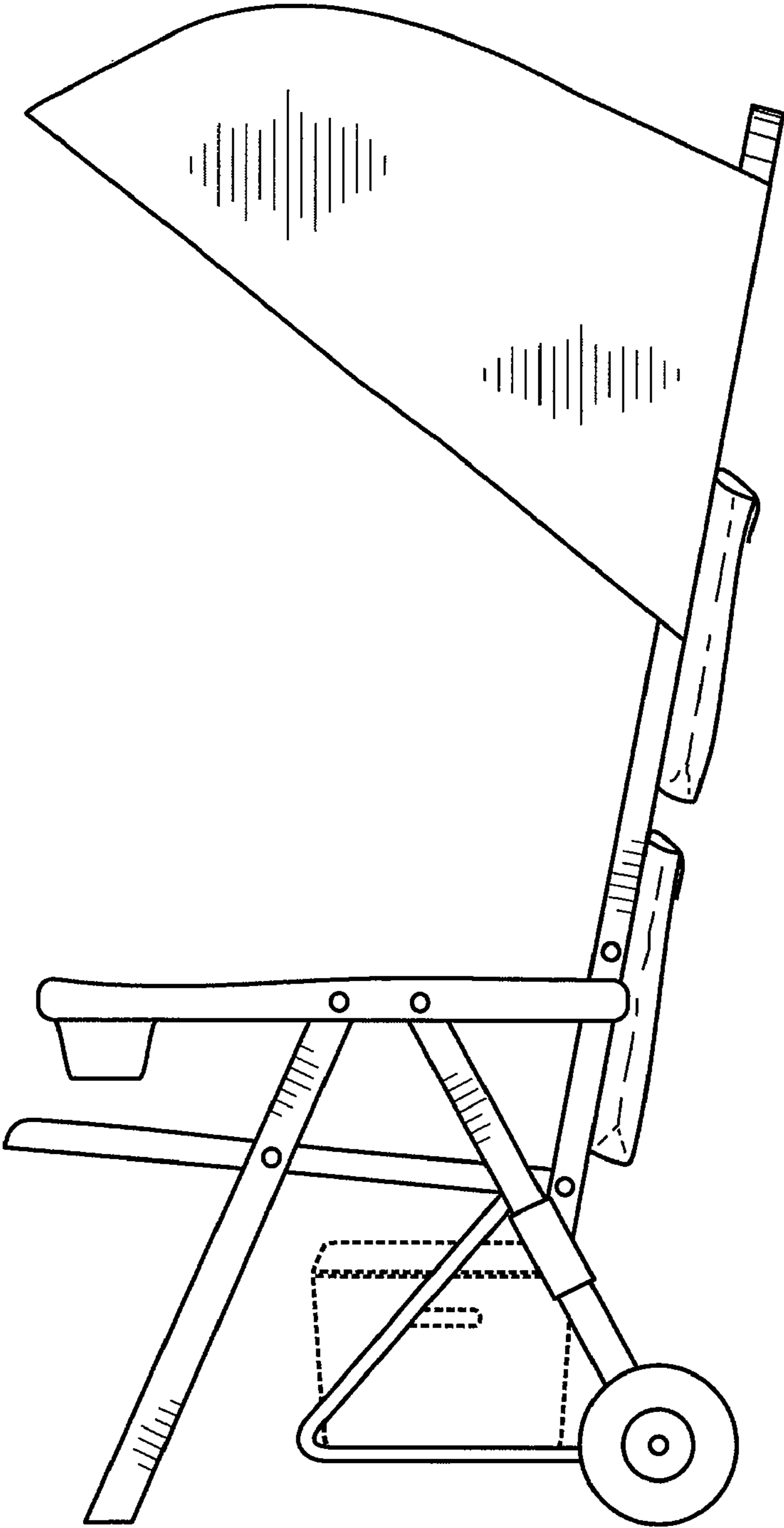


Fig. 2

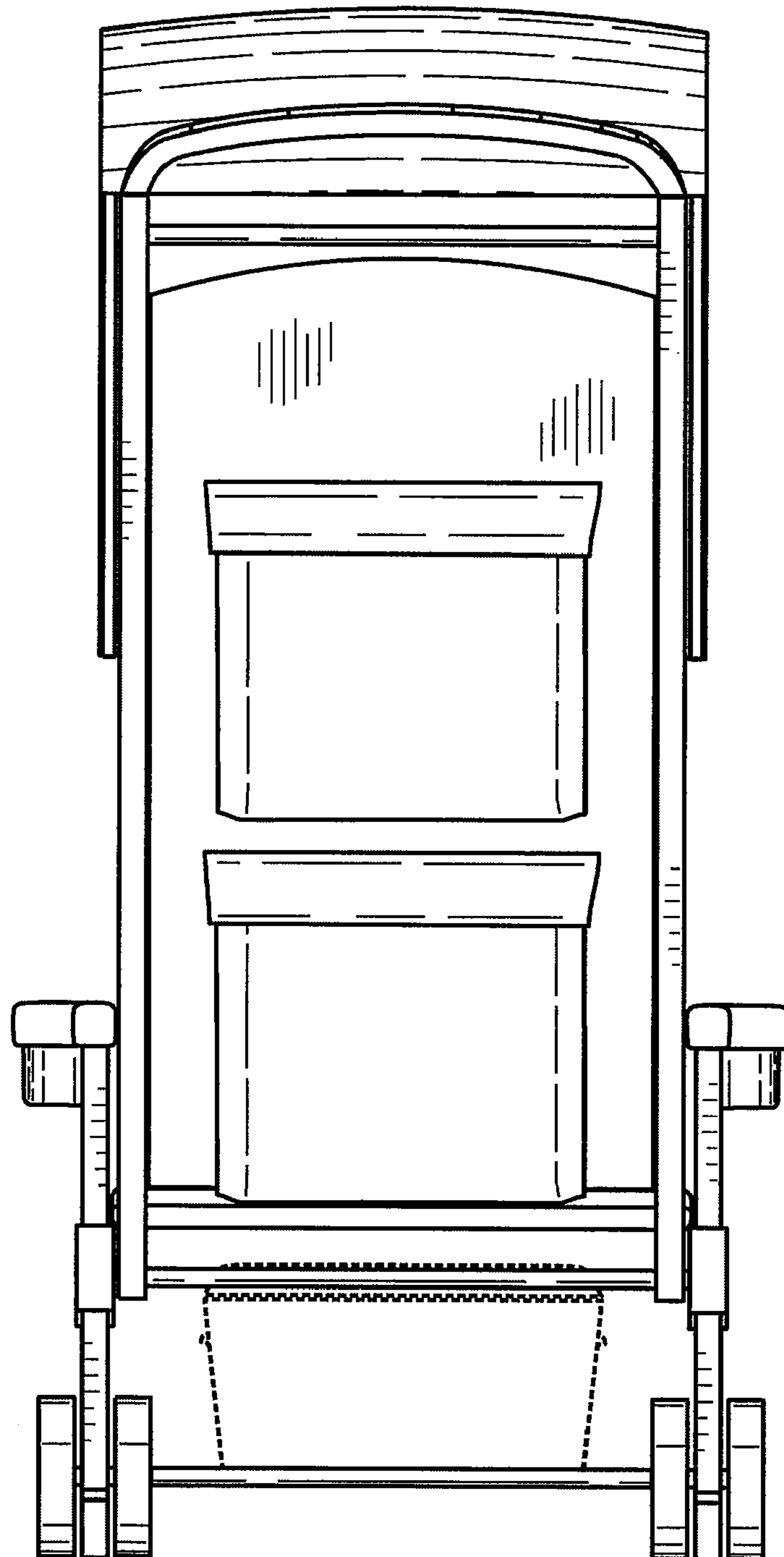


Fig. 3

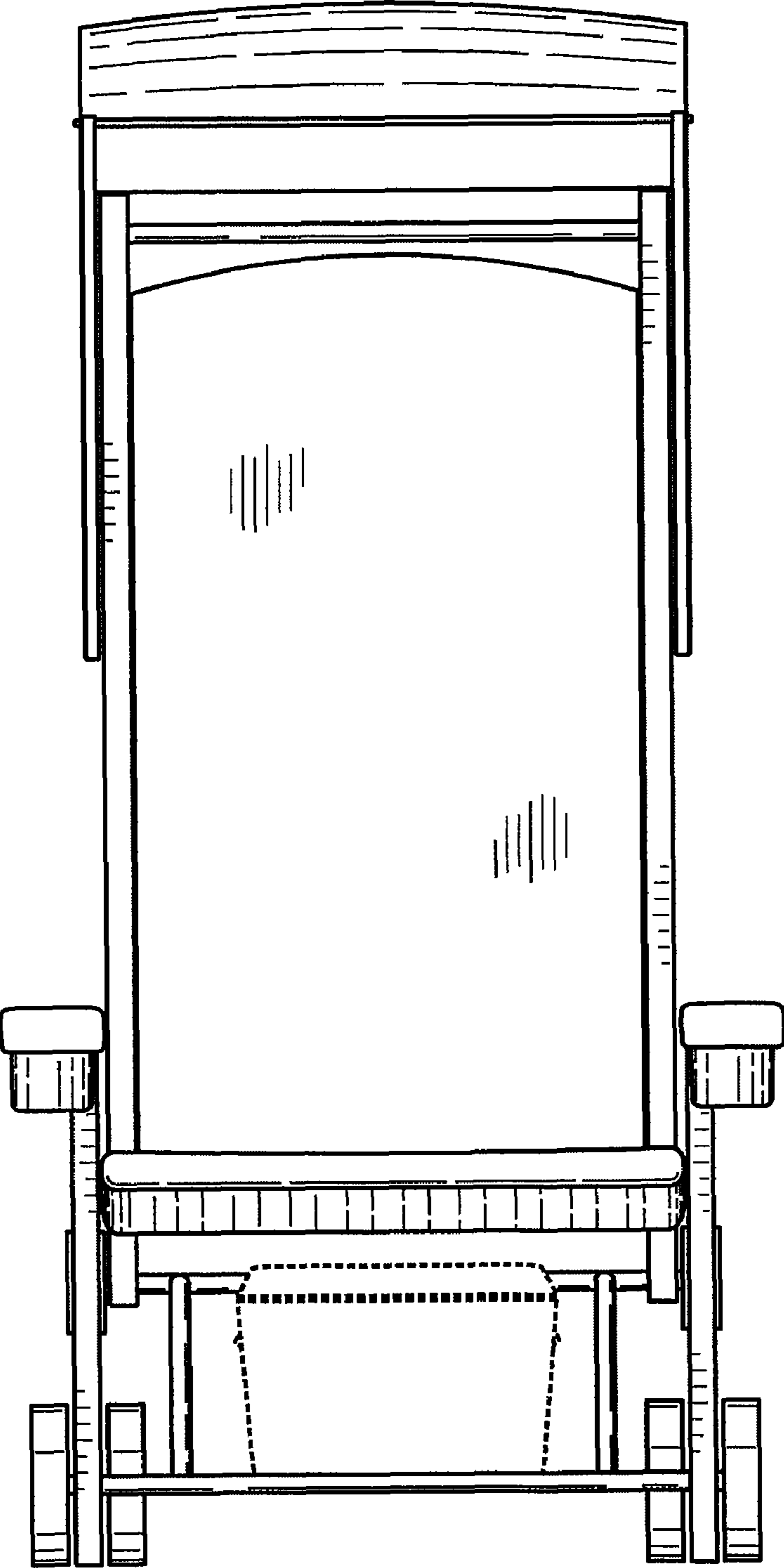


Fig. 4

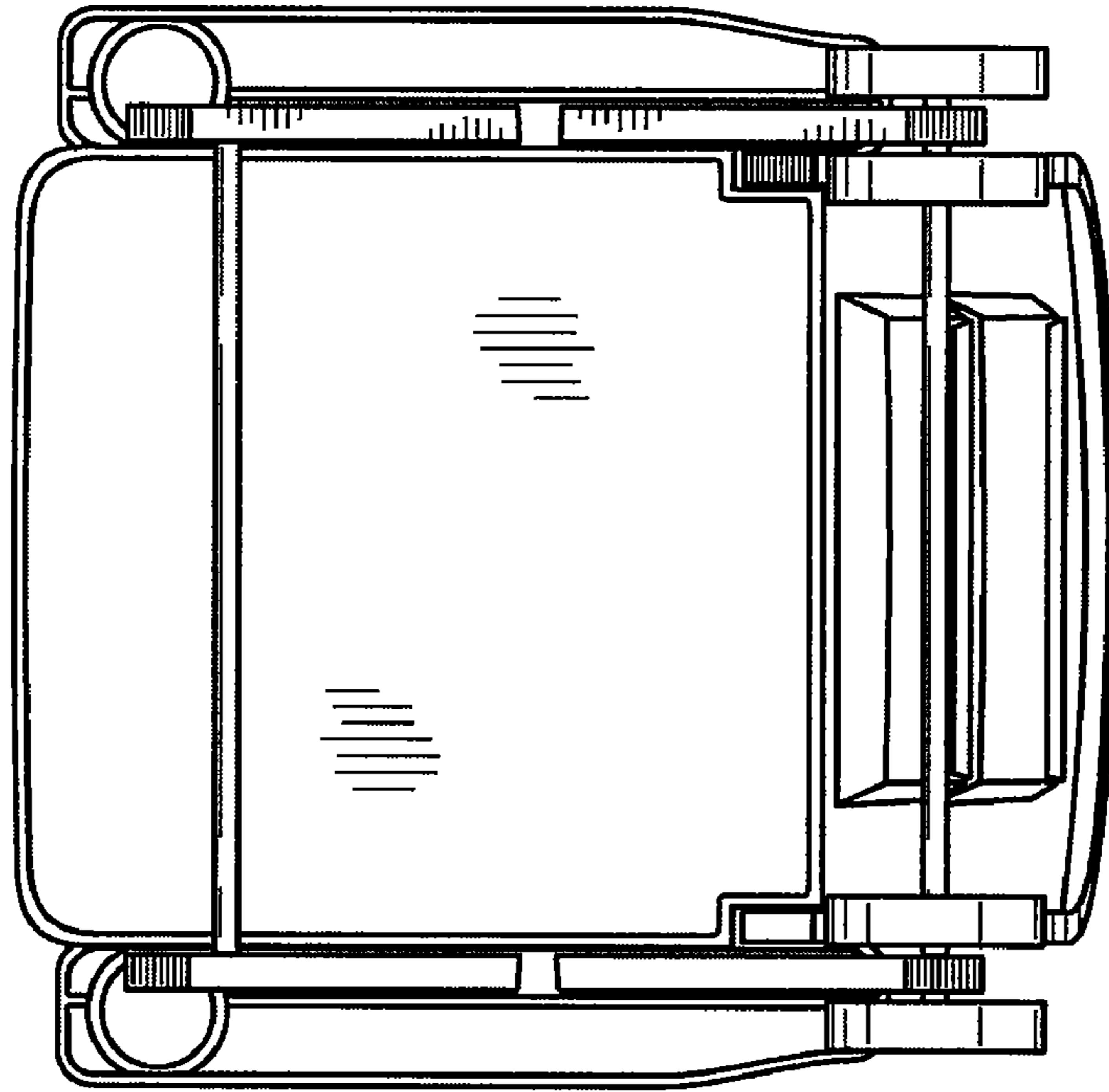


Fig. 5

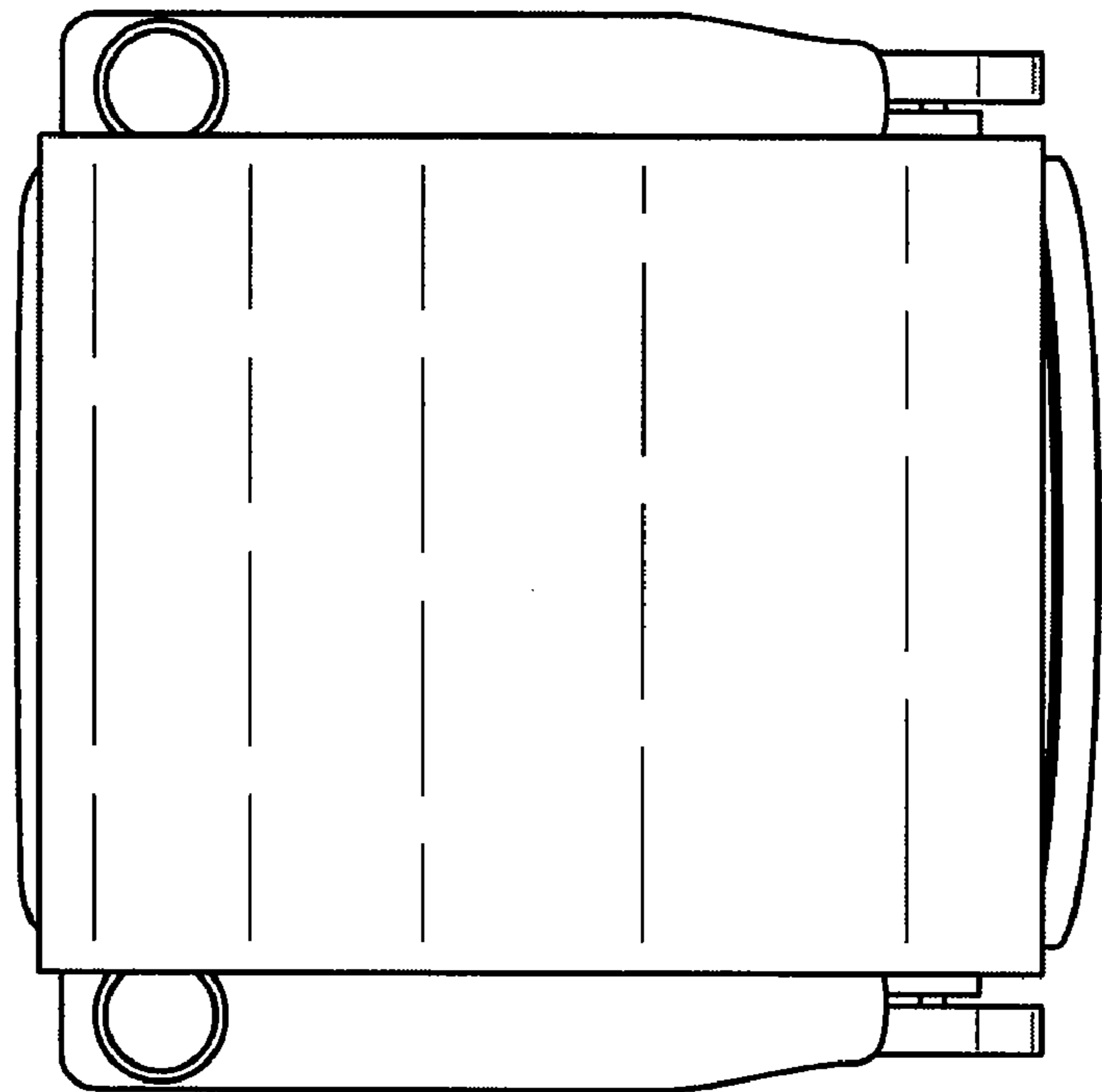


Fig. 6

